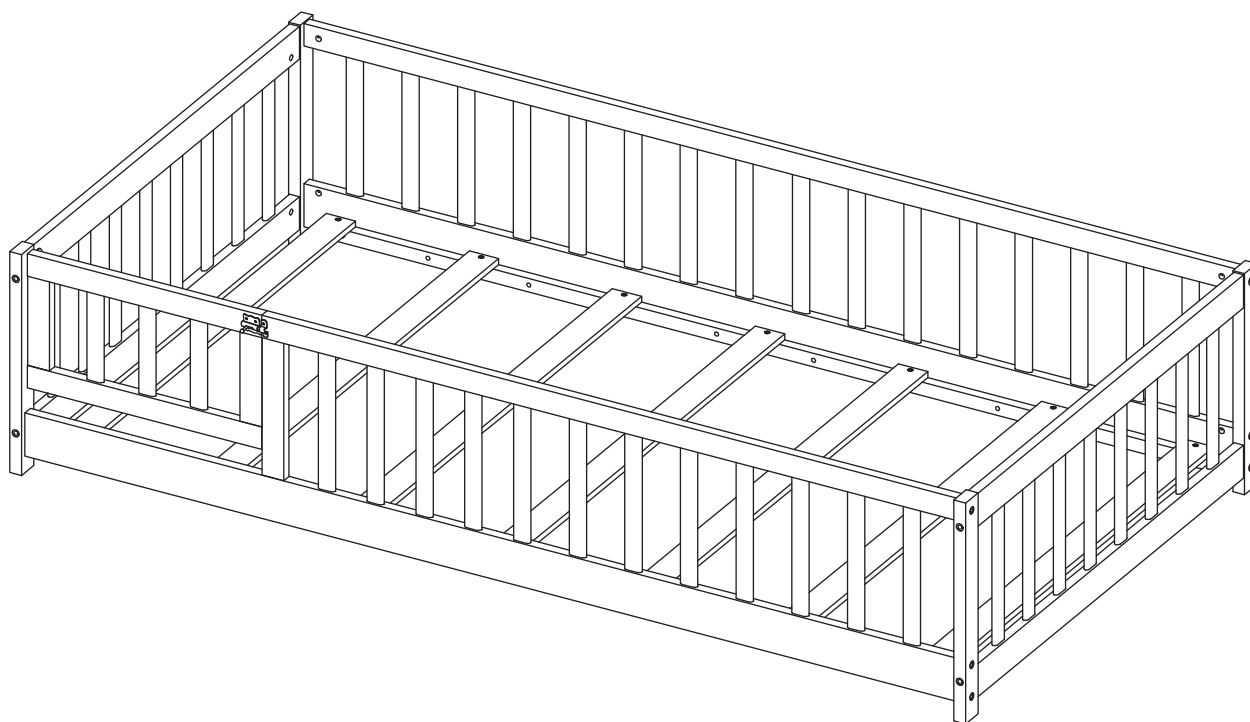
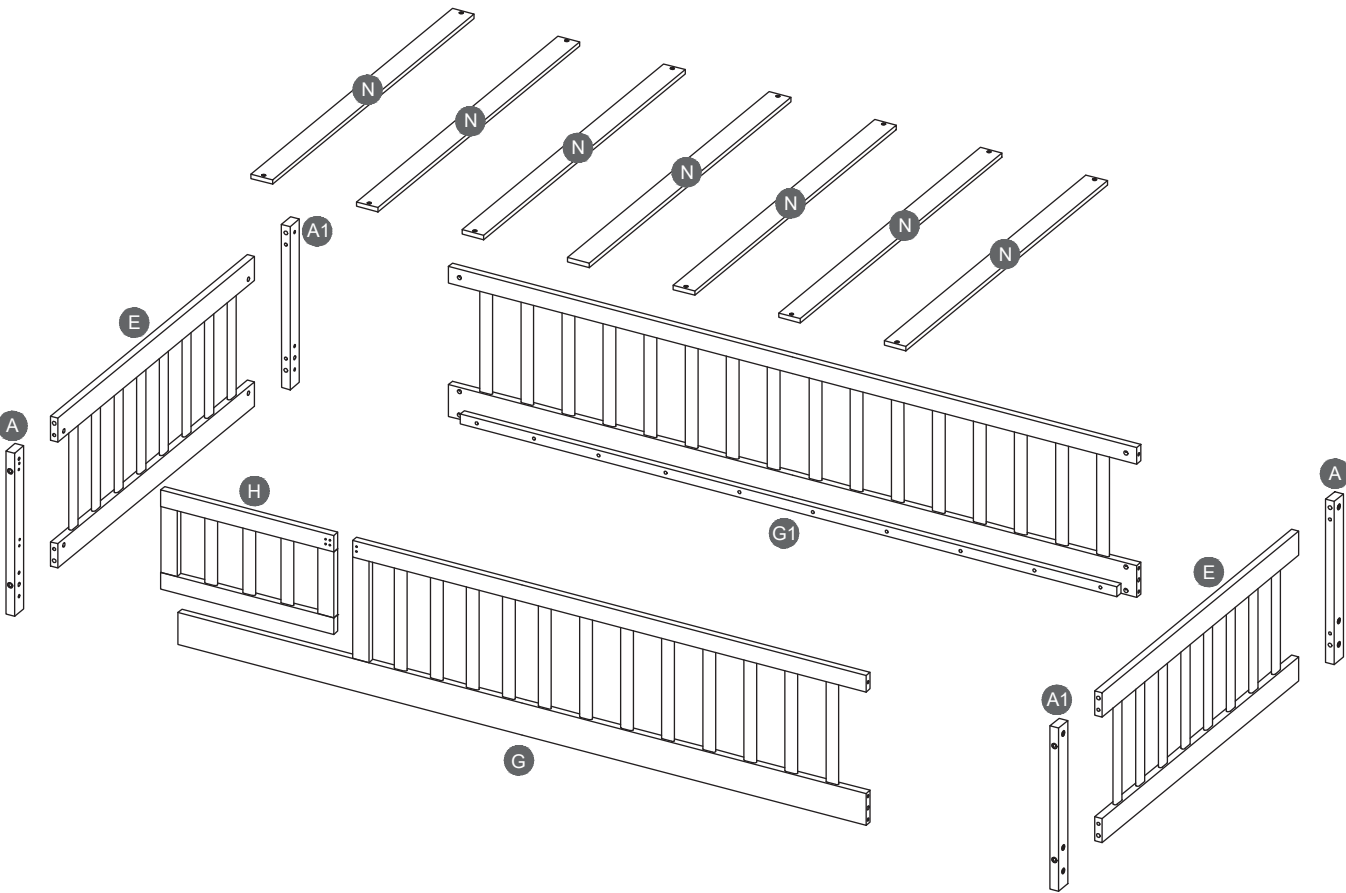


ASSEMBLY INSTRUCTIONS

TWIN FLOOR BED WITH FENCE

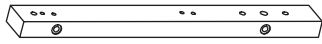


Detail View



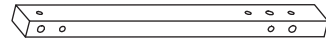
Part List

A



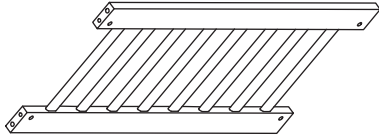
Leg - 2pcs

A1



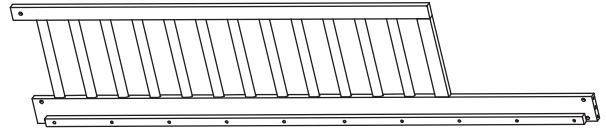
Leg - 2pcs

E



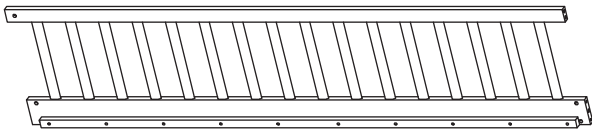
Hb. Fb. Panel - 2pcs

G



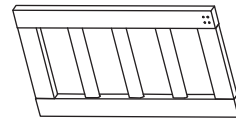
Side Rail Front - 1pc

G1



Side Rail Back - 1pc

H



Door - 1pc

N

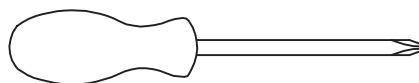


Bed Slats - 7pcs

Hardware List




1  M6 x 80mm JCBC (8pcs)	2  M6 x 15mm Barrel Nut (19pcs)	3  M10 x 30mm Wood Dowel (12pcs)
4  Sticker Cap (2pcs)	5  M6 x 65mm JCBC (11pcs)	6  20 x 20 x 233mm Wood Block (1pc)
7  M4 x 25mm CSK Screw (14pcs)	8  6 x 24 x 55mm (135°) Hinges (2pcs)	9  10 x 40 x 60mm Lock (1pc)
10  M3.5 x 16mm CSK Screw (14pcs)	11  M4 Allen Key (1pc)	

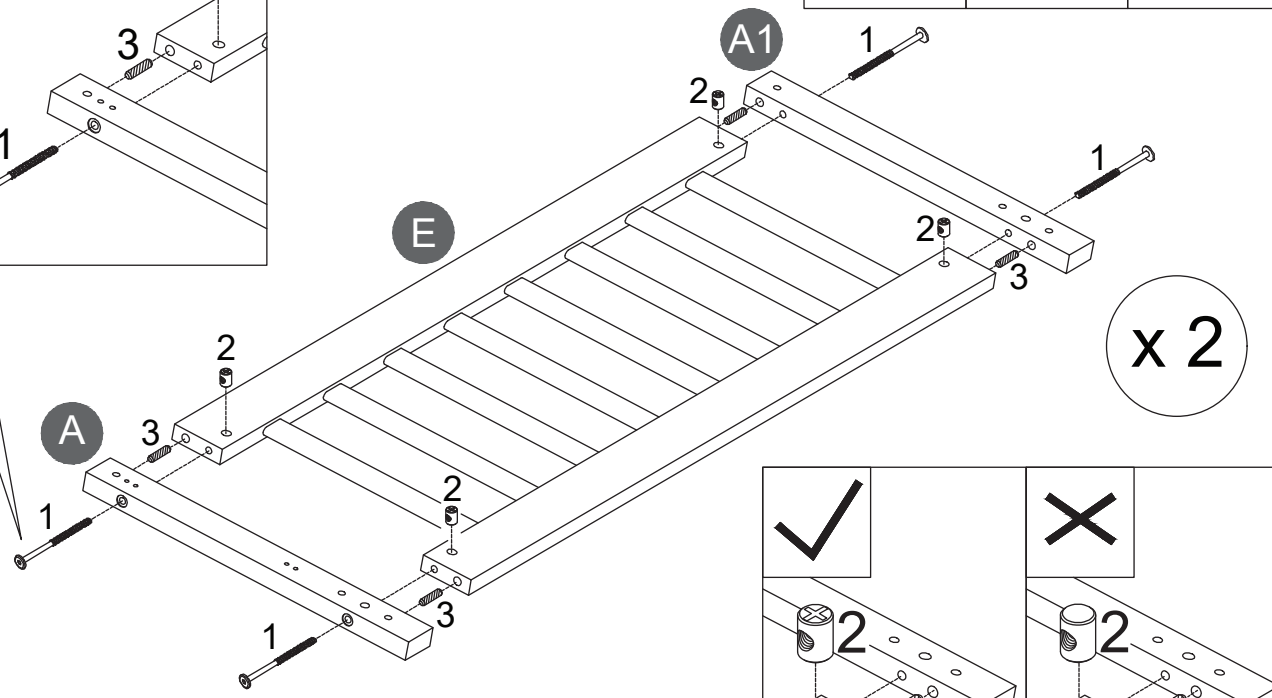
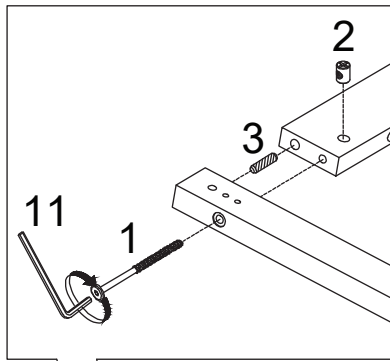
ASSEMBLY TOOLS REQUIRED (NOT INCLUDED)



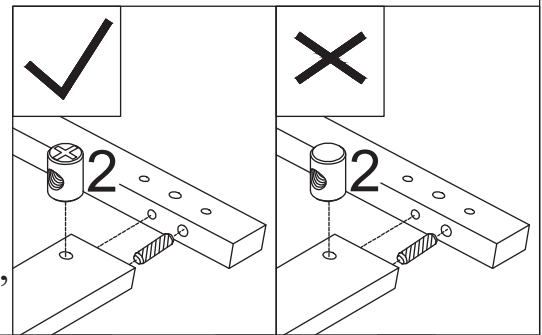
PLEASE BE CAREFUL DO NOT DAMAGE THE HOLE POSITION WHEN YOU USE POWER TOOLS !

STEP 1:





1		2		3	
8PCS		8PCS		8PCS	

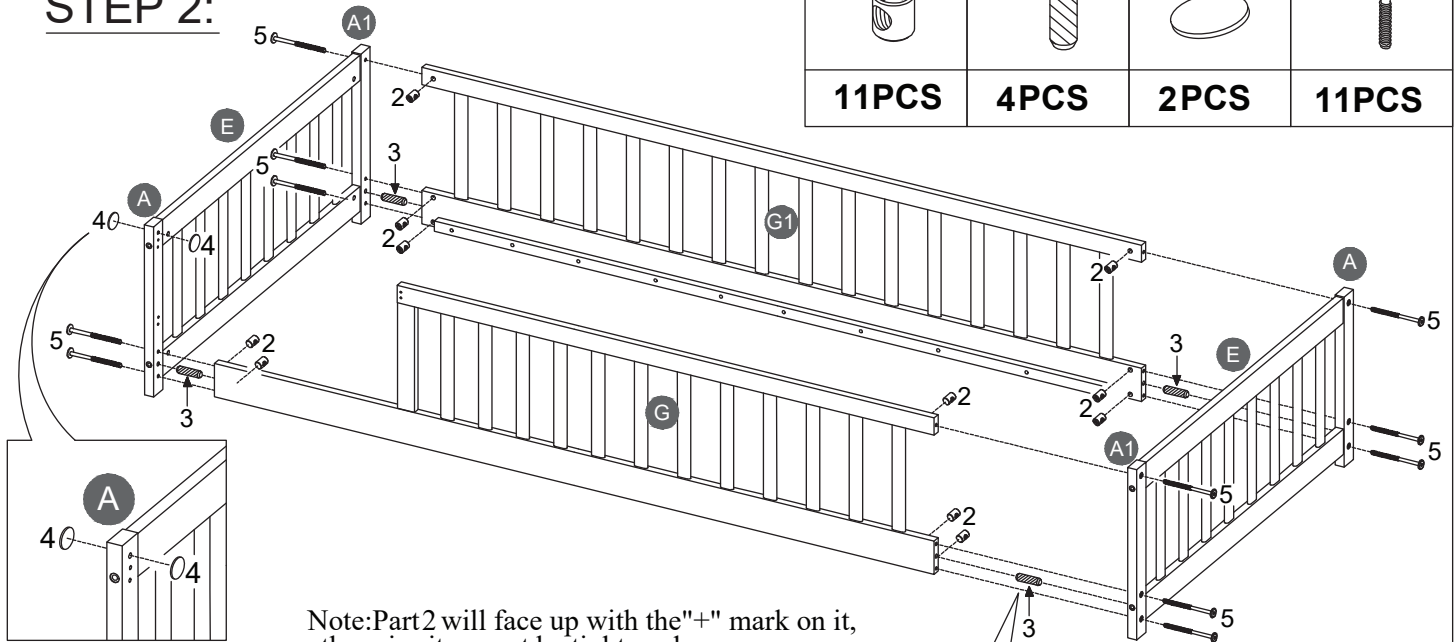


Note: Part 2 will face up with the "+" mark on it, otherwise it cannot be tightened

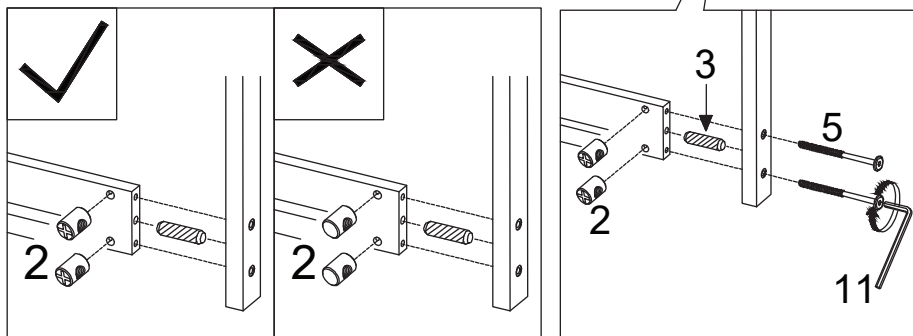


STEP 2:

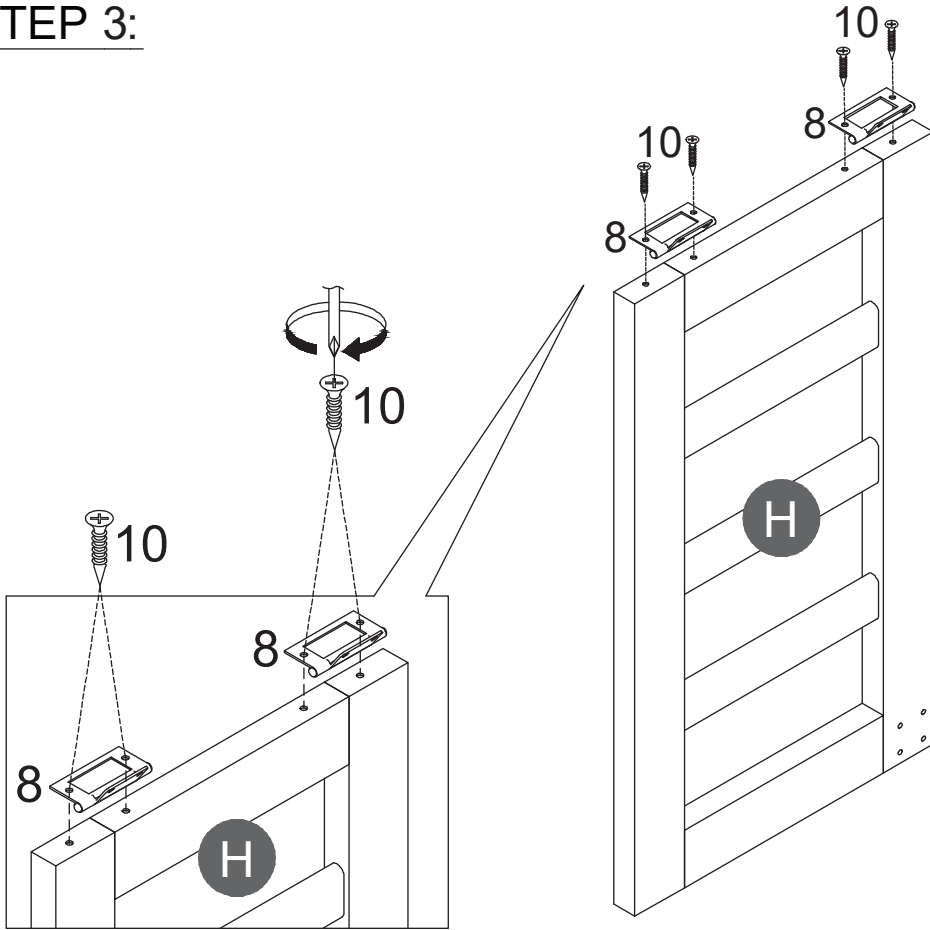
2		3		4		5	
11PCS		4PCS		2PCS		11PCS	

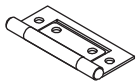



Note: Part 2 will face up with the "+" mark on it, otherwise it cannot be tightened

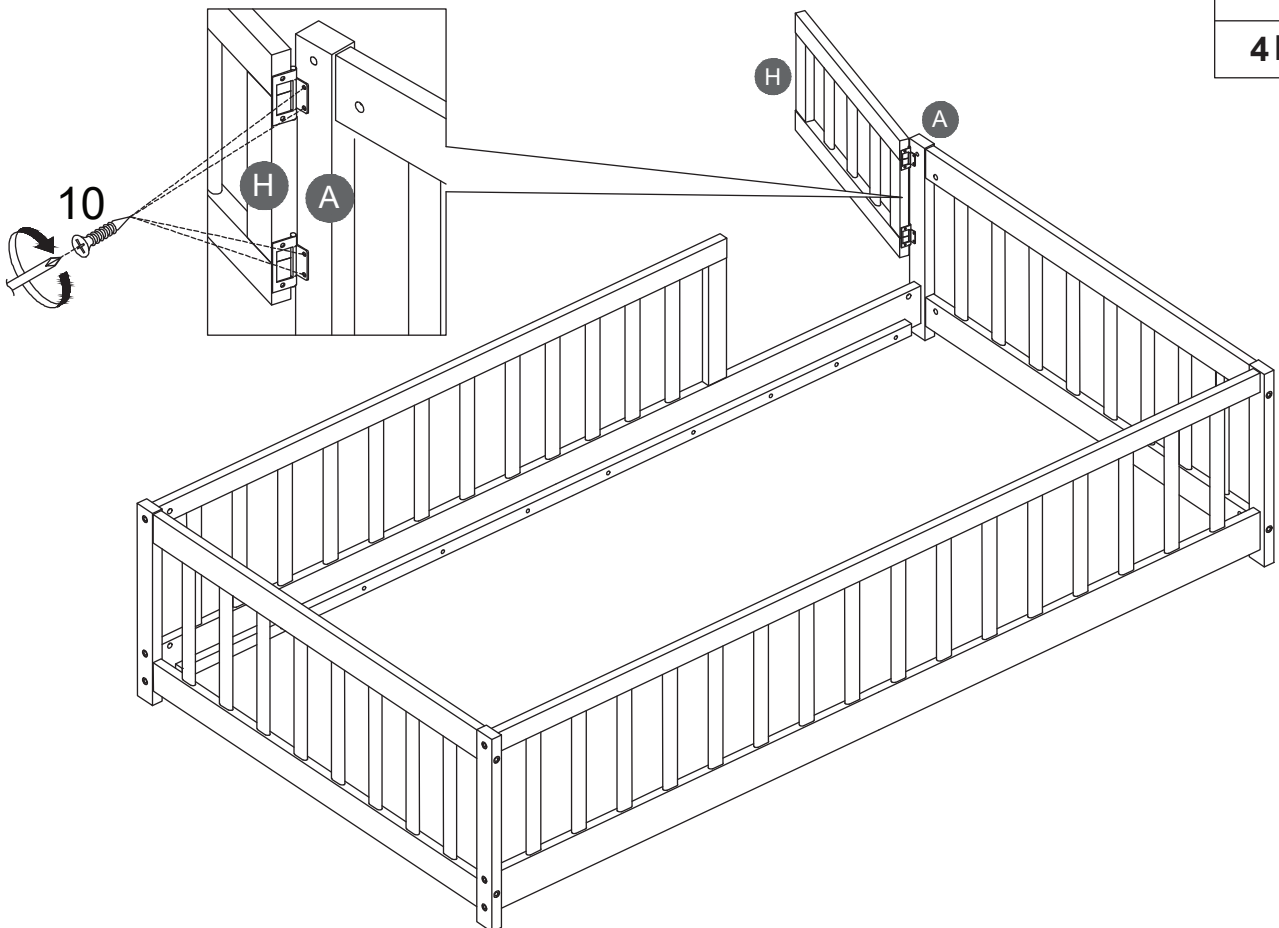



STEP 3:



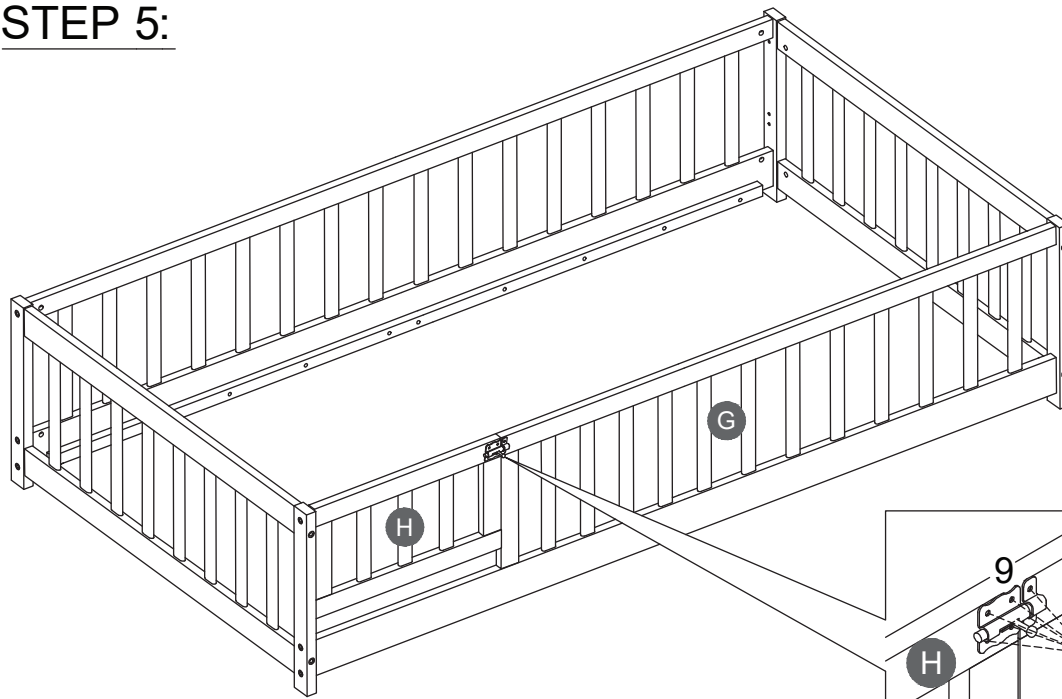
8	10
	
2PCS	4PCS

STEP 4:

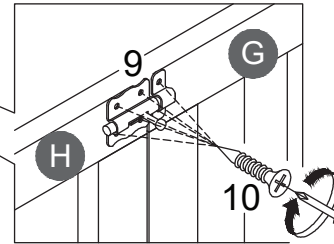


10

4PCS

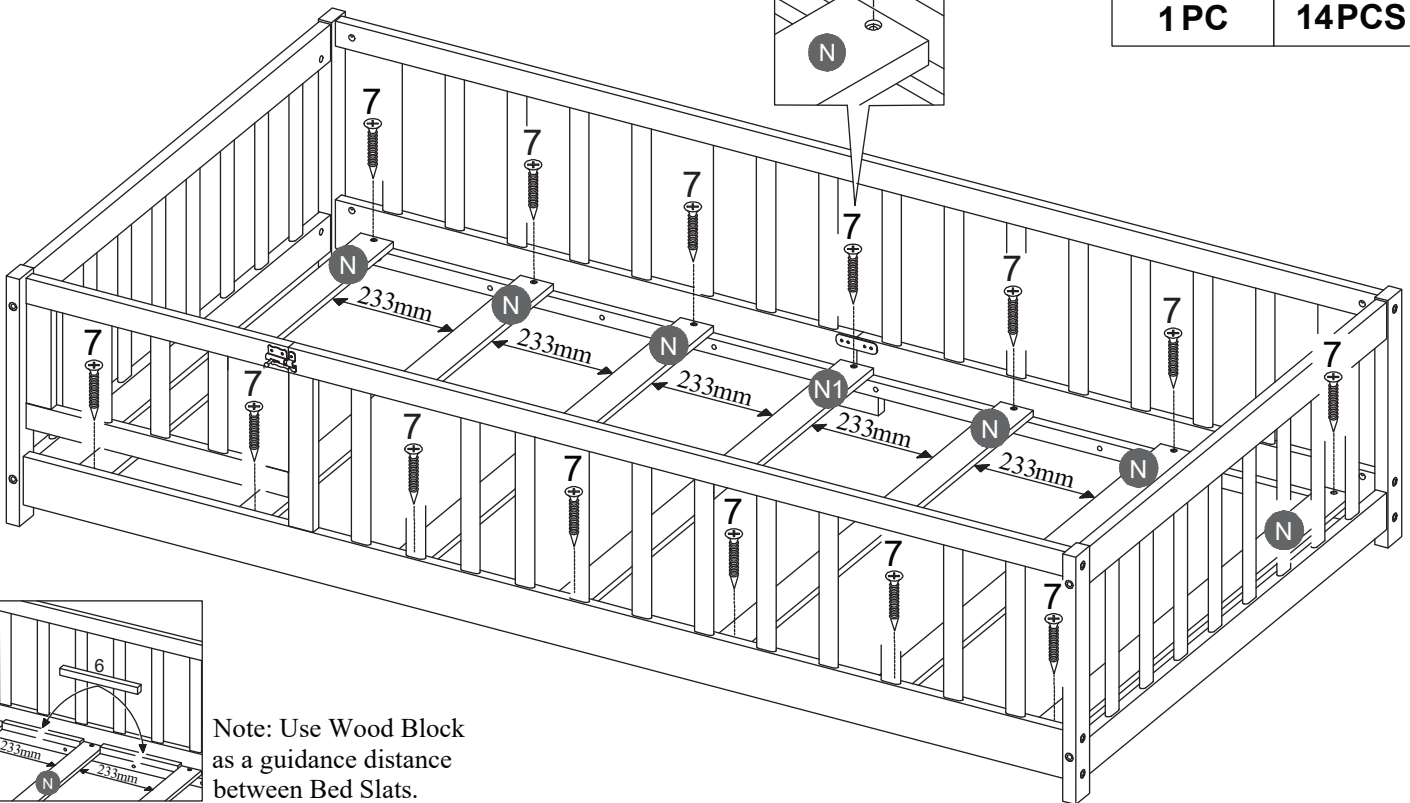
STEP 5:



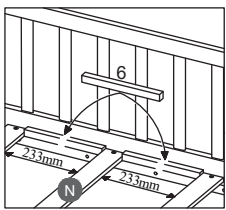
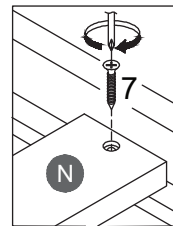
9	10
1 PC	6 PCS



STEP 6:

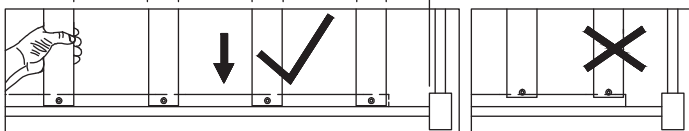


6	7
1 PC	14 PCS



Note: Use Wood Block as a guidance distance between Bed Slats.

233mm 233mm 233mm 61mm



Note: Do not lock the screws of the bed slats to the outermost edge of the bed slats, you need to leave a certain space at the edges, otherwise it will cause the board to break. Do not lock the bed slats on the edge of the wood, please hold firmly before screwing, hold it in place with one hand, then lock the screw.