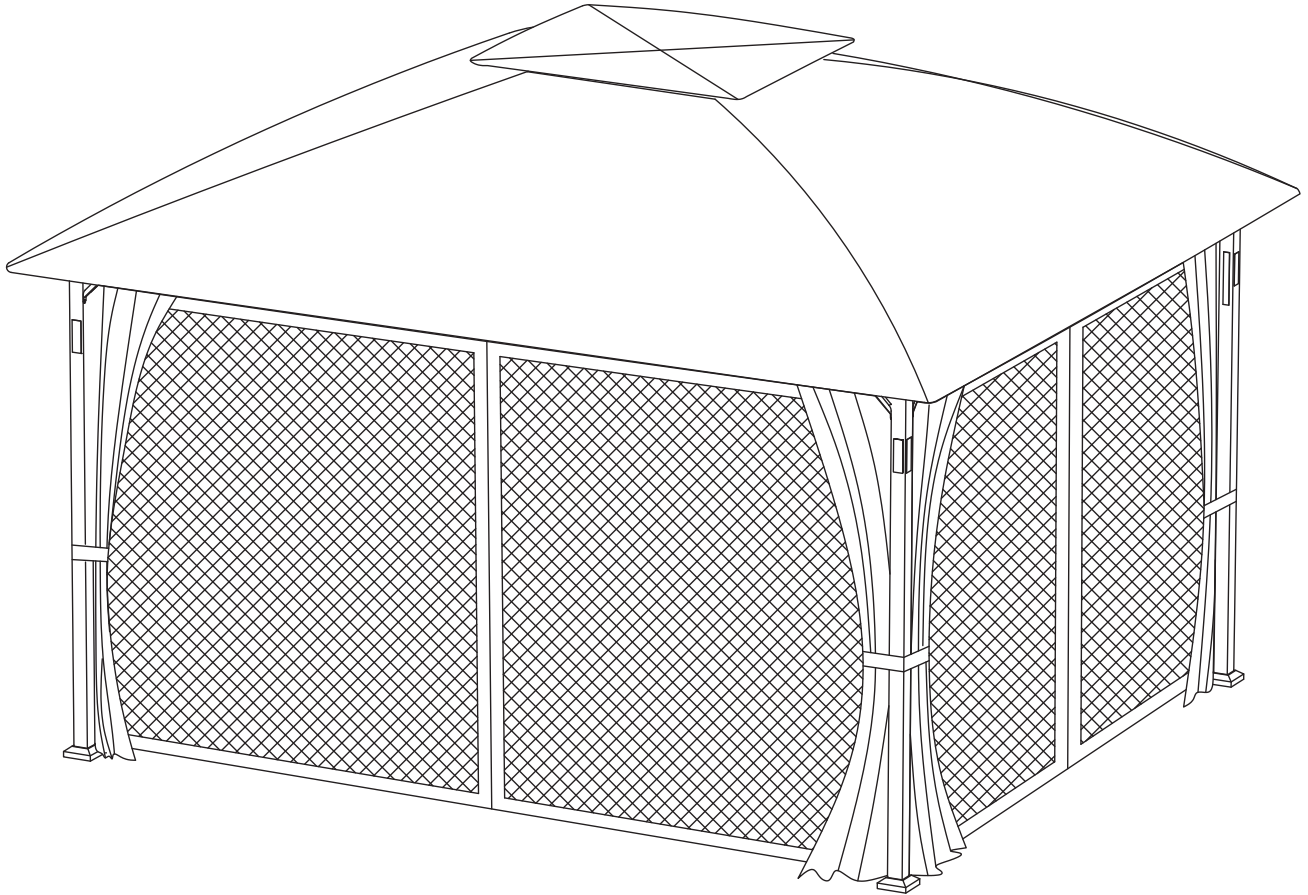


**MODEL: IG10600084N-1113K**



OWNER'S MANUAL

## 11'x13' Soft Top Gazebo w/LED lighting and Bluetooth Speaker

### TABLE OF CONTENTS

ASSEMBLY GUIDE.....	02
USING YOUR PRODUCT.....	04

January 19, 2026

### QUESTIONS?



E-mail: [Support@coveredoutdoor.com](mailto:Support@coveredoutdoor.com)




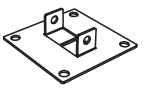
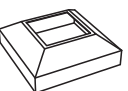


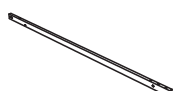

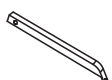





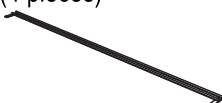
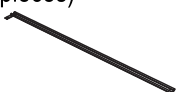


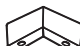






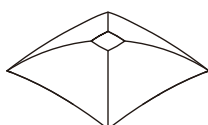

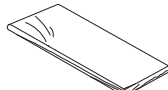
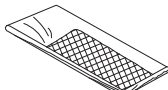


Toll Free: 888-898-2263



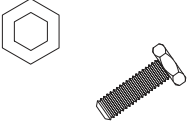
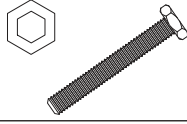
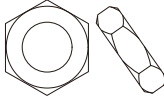

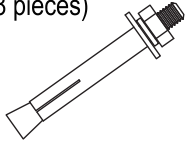
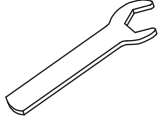
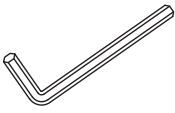
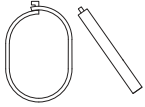
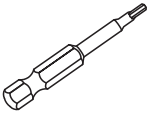
Mon-Fri: 9am---5pm PST.

# ASSEMBLY GUIDE

## PARTS LIST

<b>A</b> Post (4 piece) 	<b>B</b> Foot Base (4 pieces) 	<b>C</b> Foot Cover (4 piece) 	<b>D1</b> Cross Beam 1 (2 pieces) 	<b>D2</b> Cross Beam 2 (2 pieces) 	<b>D3</b> Cross Beam 3 (2 pieces) 
P0010005201	P0030000901	P0020000901	P0040010601	P0040010701	P0040010801
<b>D4</b> Cross Beam 4 (2 pieces) 	<b>E</b> Support Bracket (8 pieces) 	<b>F1</b> Middle Cross Beam 1 (2 pieces) 	<b>F2</b> Middle Cross Beam 2 (2 pieces) 	<b>G1</b> Roof Rib 1 (4 pieces) 	<b>G2</b> Roof Rib 2 (4 pieces) 
P0040010901	P0050005901	P0080001601	P0080001701	P0070002801	P0070002001
<b>G3</b> Roof Rib 3 (4 pieces) 	<b>H1</b> Mosquito Net Rod 1 (4 pieces) 	<b>H2</b> Mosquito Net Rod 2 (4 pieces) 	<b>J1</b> Connector 1 (4 pieces) 	<b>J2</b> Connector 2 (4 pieces) 	<b>J3</b> Connector 3 (4 pieces) 
P0070002101	P0100002501	P0100002601	P0060007101	P0110003801	P0110003901
<b>J4</b> Connector 4 (4 pieces) 	<b>J5</b> Connector 5 (4 pieces) 	<b>J10</b> Connector 10 (1 pieces) 	<b>J12</b> Connector 12 (1 pieces) 	<b>J8</b> Connector 8 (8 pieces) 	<b>k</b> Hook (1 piece) 
P0060007201	P0060007301	P0060018401	P0060018601	P0060008001	P1000001601
<b>W1</b> Privacy Curtain 1 (1pieces) 	<b>W2</b> Privacy Curtain 2 (1 pieces) 	<b>X</b> Privacy Curtain (1 pieces) 	<b>Y</b> Mosquito Netting (1 pieces) 	<b>Q</b> Bluetooth Speaker (1 pieces) 	<b>R</b> Battery Case (4 pieces) 
P0200000101	P0200000201	P0210001501	P0220001901	P0250000200	P0240000301

**HARDWARE**

<p><b>AA</b> Bolt M6*15 (88+4 pieces)</p> 	<p><b>BB</b> Bolt M6*35 (24+2 pieces)</p> 	<p><b>CC</b> Screw Nut M6 (16+2 pieces)</p> 	<p><b>DD</b> M6 Flat washer (128+7 pieces)</p> 	<p><b>EE</b> Concrete Anchor M6*60 (8 pieces)</p> 	<p><b>FF</b> Wrench M6 (2 pieces)</p> 
<p>H0008008001</p>	<p>H0008008116</p>	<p>H0008008112</p>	<p>H0008008057</p>	<p>H0008008095</p>	<p>H0008008011</p>
<p><b>GG</b> M6 Allen Key (2 piece)</p> 	<p><b>HH</b> Rings (104+8 pieces)</p> 	<p><b>JJ</b> M6 Hex drill bit (1 piece)</p> 			
<p>H0008008133</p>	<p>H0008008113</p>	<p>H0008008209</p>			

**IMPORTANT:**

This instruction manual contains important information necessary for the proper assembly and safe use of the product.

Read and follow all warnings and instructions before assembling and using the product.

Follow all warnings and instructions when using the product.

Keep this manual for future reference.

Installer/Assembler: leave these instructions with the consumer.

**SAFETY ALERT KEY**

**⚠ DANGER**

Indicates a hazardous situation that, if not avoided, will result in death or serious injury.

**⚠ WARNING**

Indicates a hazardous situation that, if not avoided, could result in death or serious injury.

**⚠ CAUTION**

Indicates a hazardous situation that, if not avoided, could result in minor or moderate injury.

**NOTICE**

Indicates information considered important, but not hazard-related (e.g.messages related to property damage).

# ASSEMBLY INSTRUCTIONS

•Please carefully unpack each of the components and hardware. check the components against the parts list and make sure there are no missing parts. lay pieces on cardboard or a soft mat to help protect the pieces from scratches.

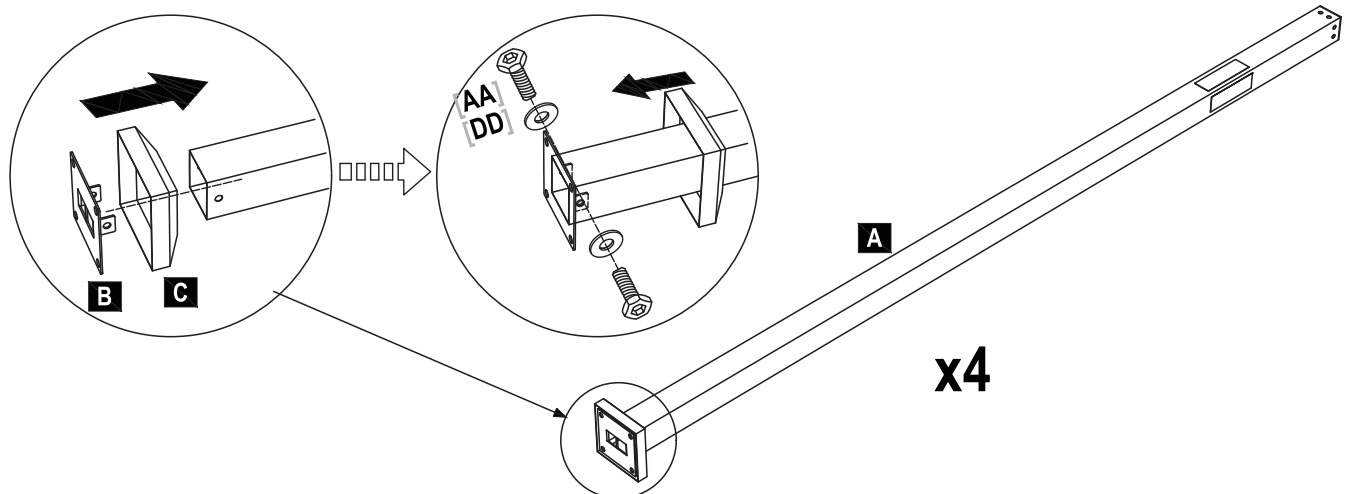
## ⚠ CAUTION

Watch for sharp edges when handling the pieces, wear gloves to avoid injury.

- For ease of assembly, it is recommended to have 3 or more people and allow enough time to completely finish the assembly. assembly can take 6-8 hours. a step-ladder is required for assembly (not included).
- Follow step by step instructions, and follow all safety warnings provided with your tools.
- DO NOT tighten screws until all the screws and washers are properly installed. Tighten screws securely, do not over tighten.
- Gazebo should not be used in inclement weather and high winds.

**STEP 01** Slide foot base **B** and foot cover **C** onto post **A**. Use two (2) **[AA]** bolts and two (2) **[DD]** flat washers to attach foot base **B** to post **A**. Repeat with the other three (3) posts **A**.

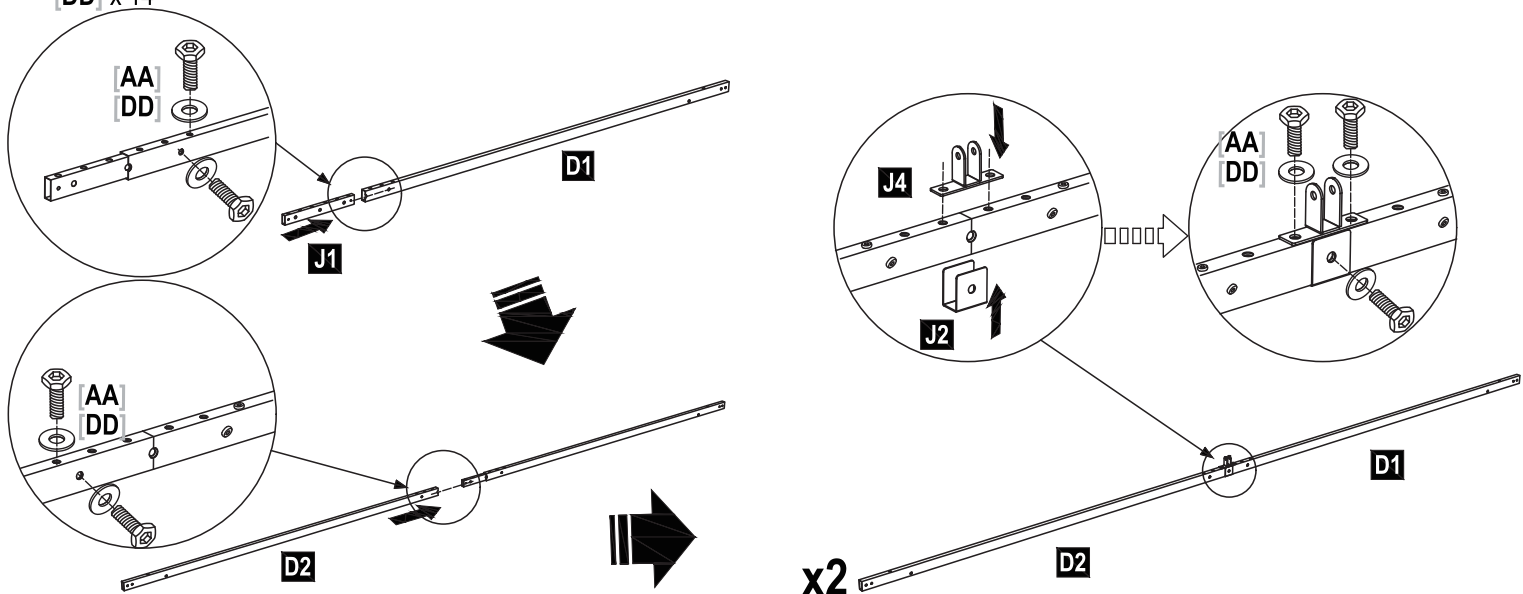
**[AA]** x 8  
**[DD]** x 8



**STEP 02** Slide connector **J1** into cross beam **D1**, securing with two (2) **[AA]** bolts and two (2) **[DD]** bolts. Then slide cross beam **D2** onto **J1**, securing with two (2) **[AA]** bolts and two (2) **[DD]** bolts. Finish the assembly as **D2 + J1 + D1**. Repeat to make a second assembly.

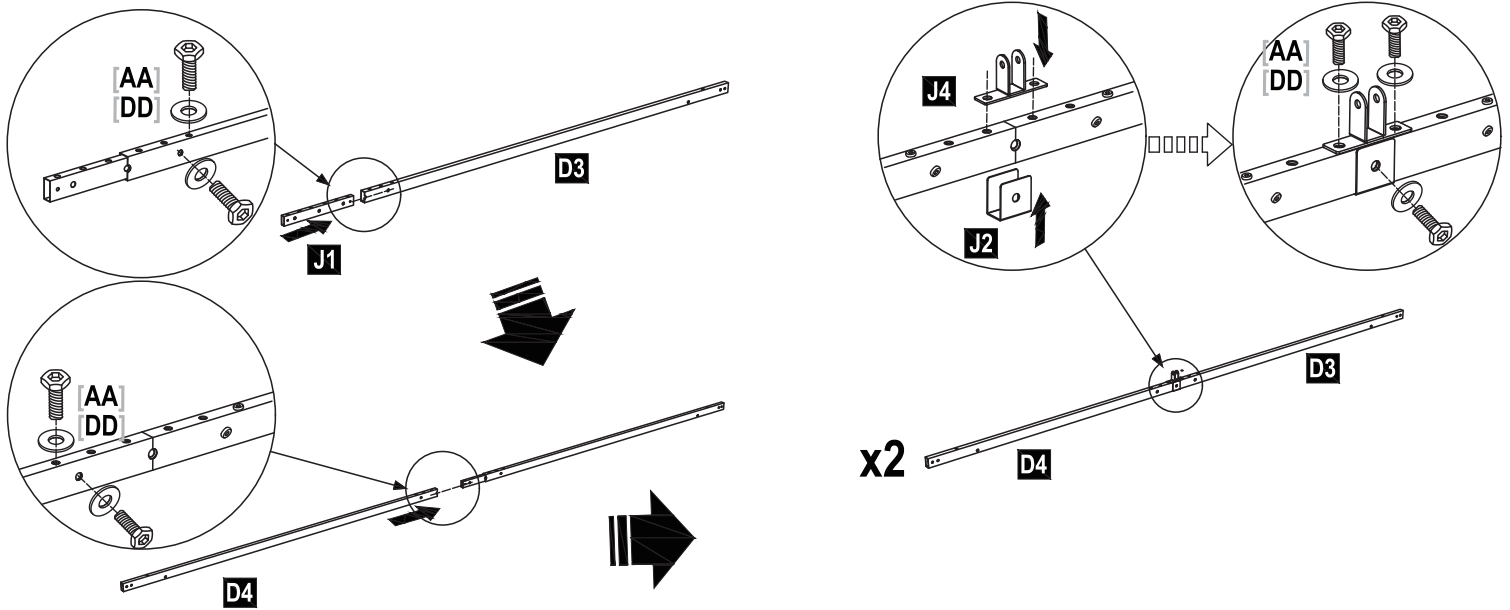
Use two (2) **[AA]** bolts and two (2) **[DD]** bolts to attach one (1) connector **J4** to cross beam assembly **D1D2**. Use one (1) **[AA]** bolt and one (1) **[DD]** bolt to attach connector **J2** to **D1D2**.

**[AA]** x 14  
**[DD]** x 14



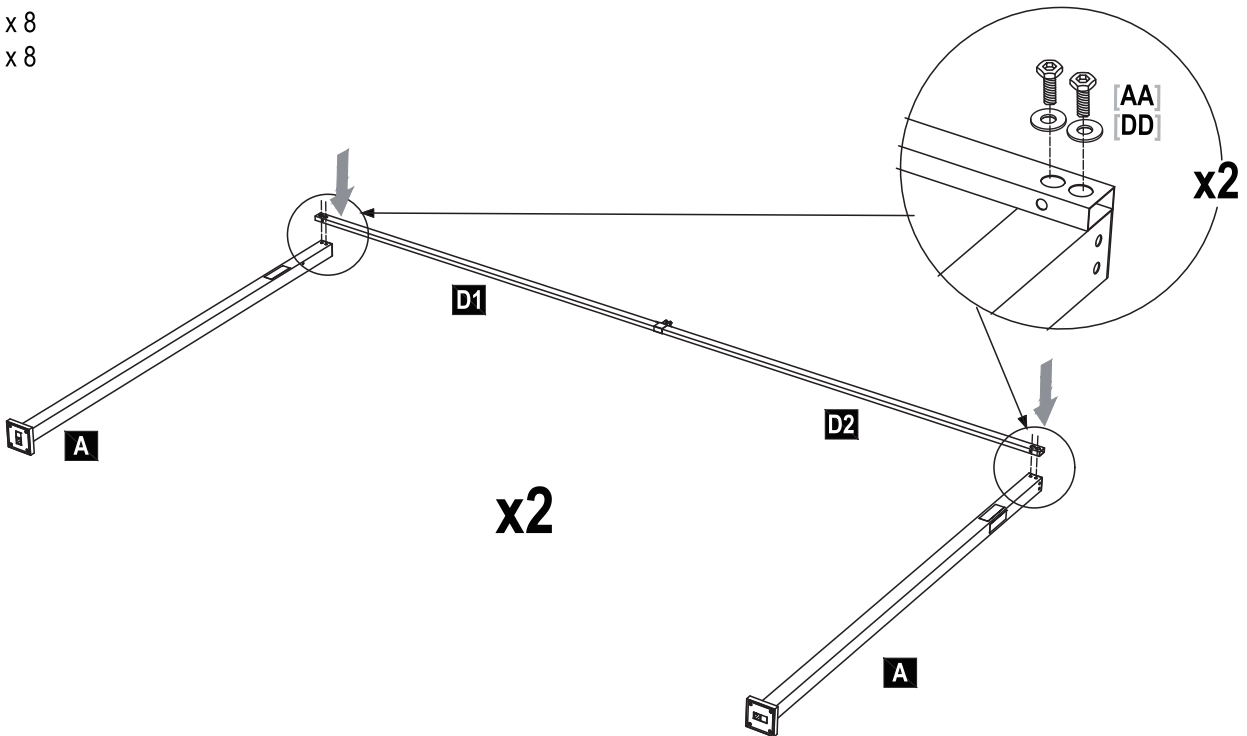
**STEP 03** Slide connector **J1** into cross beam **D3**, securing with two (2) [AA] bolts and two (2) [DD] bolts. Then slide cross beam **D4** onto **J1**, securing with two (2) [AA] bolts and two (2) [DD] bolts. Finish the assembly as **D4 + J1 + D3**. Repeat to make a second assembly. Use two (2) [AA] bolts and two (2) [DD] bolts to attach one (1) connector **J4** to cross beam assembly **D3 D4**. Use one (1) [AA] bolt and one (1) [DD] bolt to attach connector **J2** to **D3 D4**.

[AA] x 14  
[DD] x 14



**STEP 04** Use two (2) [AA] bolts and two (2) [DD] flat washers to attach each end of cross beam assembly **D1 D2** to post A. Repeat with the other assembly **D1 D2**.

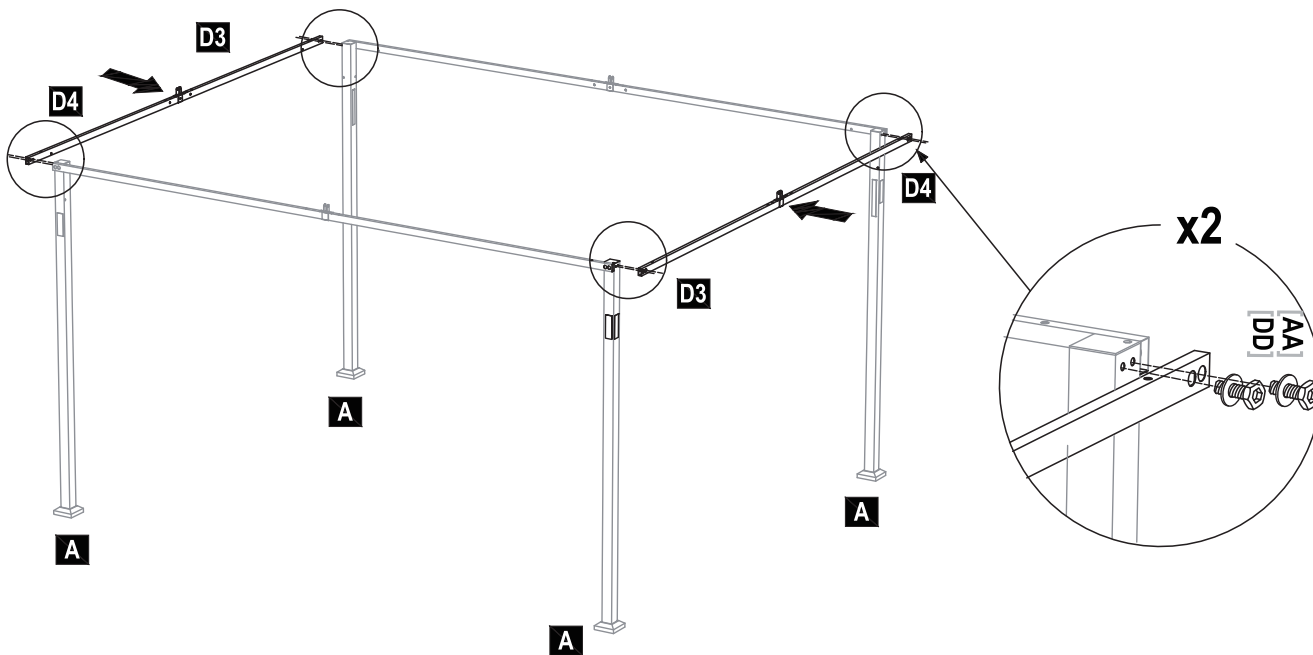
[AA] x 8  
[DD] x 8



**STEP 05** Use two (2) [AA] bolts and two (2) [DD] flat washers to attach each end of cross beam assembly **D3****D4** to post **A**. Repeat with the other assembly **D3****D4**.

[AA] x 8

[DD] x 8



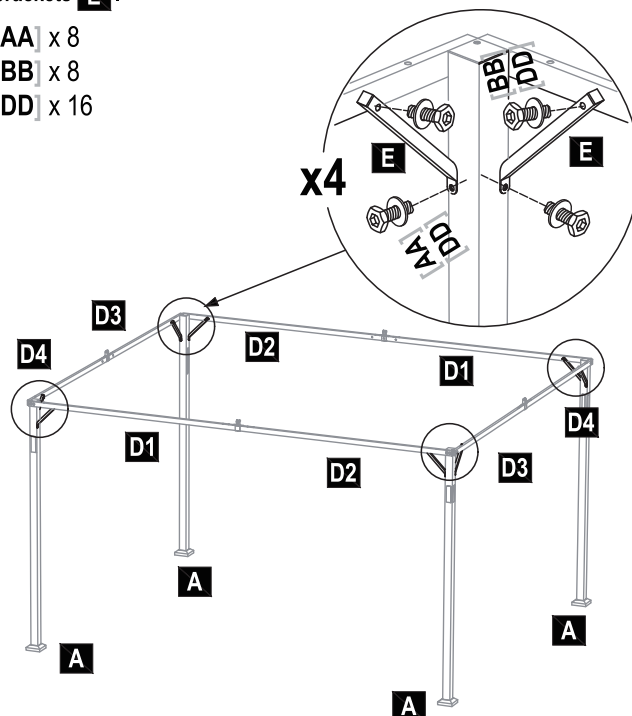
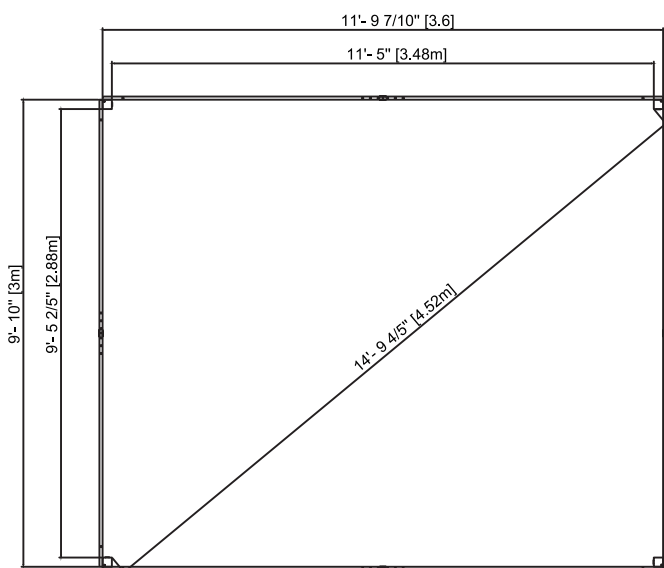
**STEP 06 CRITICAL: SQUARE UNIT BEFORE PROCEEDING TO NEXT STEPS. ONCE SQUARE, TIGHTEN ALL HARDWARE.**

**STEP 07** Use one (1) [AA] bolt and one (1) [DD] flat washer to attach one (1) the lower end of support bracket **E** to post **A**. use one (1) [BB] bolt and one (1) [DD] flat washer to attach the upper end of support bracket **E** to cross beam. Repeat with the other seven (7) support brackets **E**.

[AA] x 8

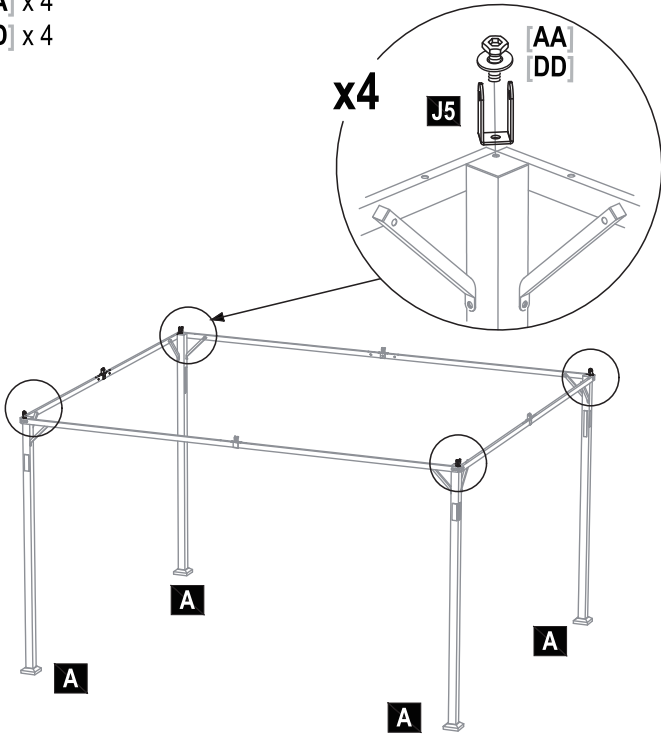
[BB] x 8

[DD] x 16



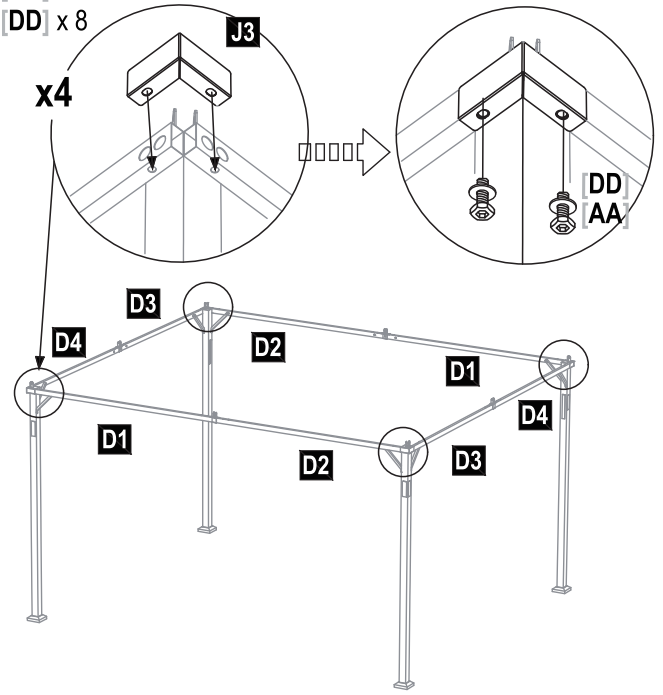
STEP 08 Use one (1) [AA] bolt and one (1) [DD] flat washer to attach one (1) connector **J5** to each post **A** . Repeat with the other three (3) **J5** .

[AA] x 4  
[DD] x 4



STEP 09 Use two (2) [AA] bolts and two (2) [DD] flat washers to attach one (1) connector **J3** to the corner of cross beams. Repeat with the other three (3) **J3** .

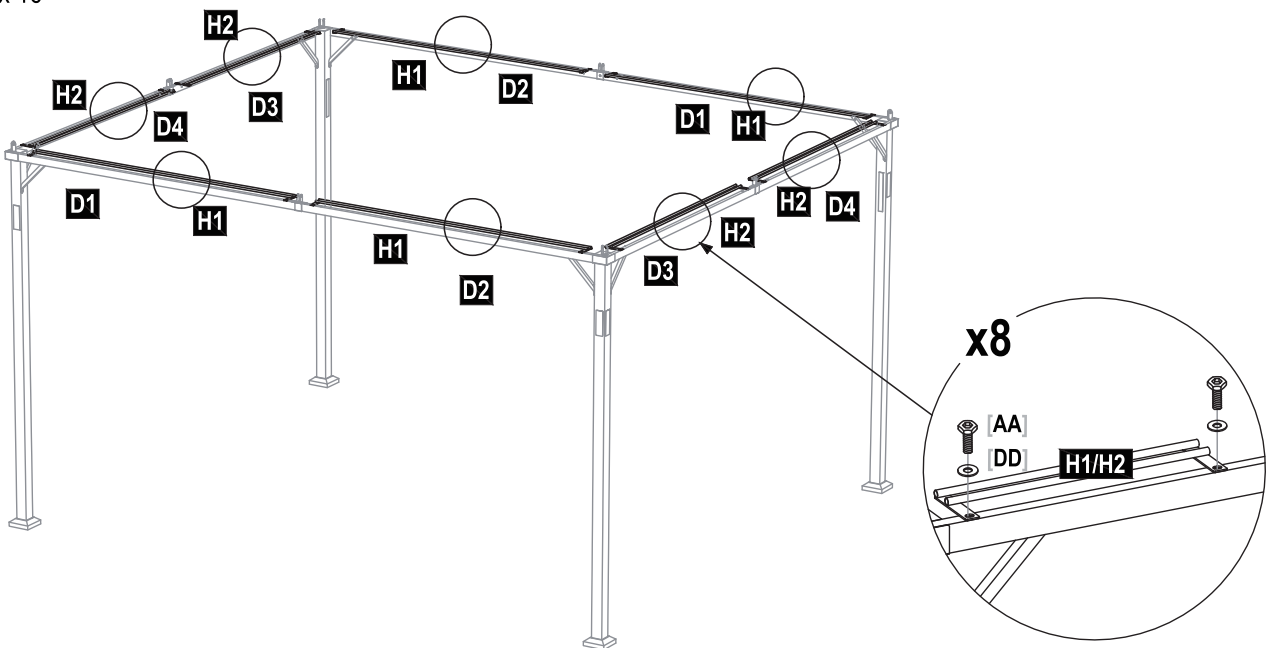
[AA] x 8  
[DD] x 8



STEP 10 Use two (2) [AA] bolts and two (2) [DD] flat washers to attach one (1) mosquito net rod **H1** to cross beam assembly **D1|D2** . Repeat with the other three (3) **H1** .

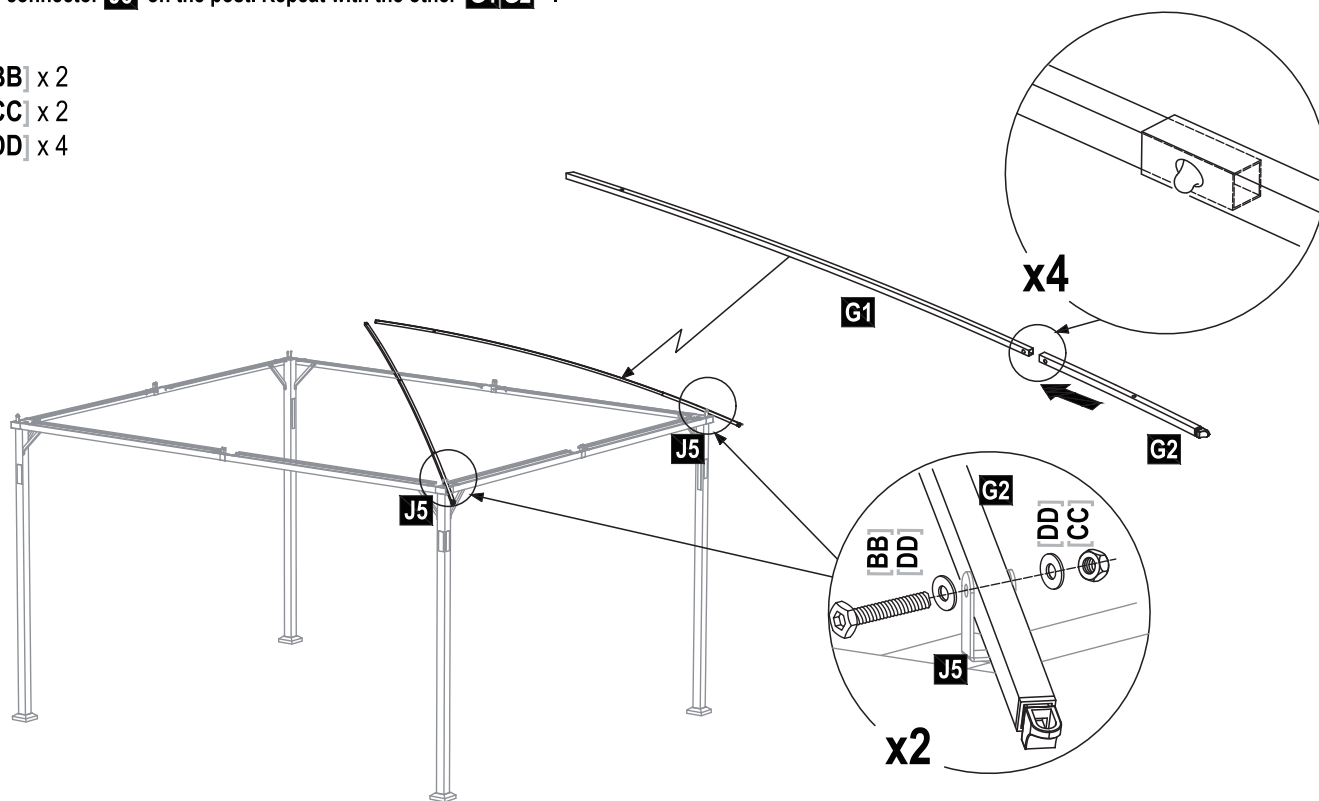
Use two (2) [AA] bolts and two (2) [DD] flat washers to attach one (1) mosquito net rod **H2** to cross beam assembly **D3|D4** . Repeat with the other three (3) **H2** .

[AA] x 16  
[DD] x 16

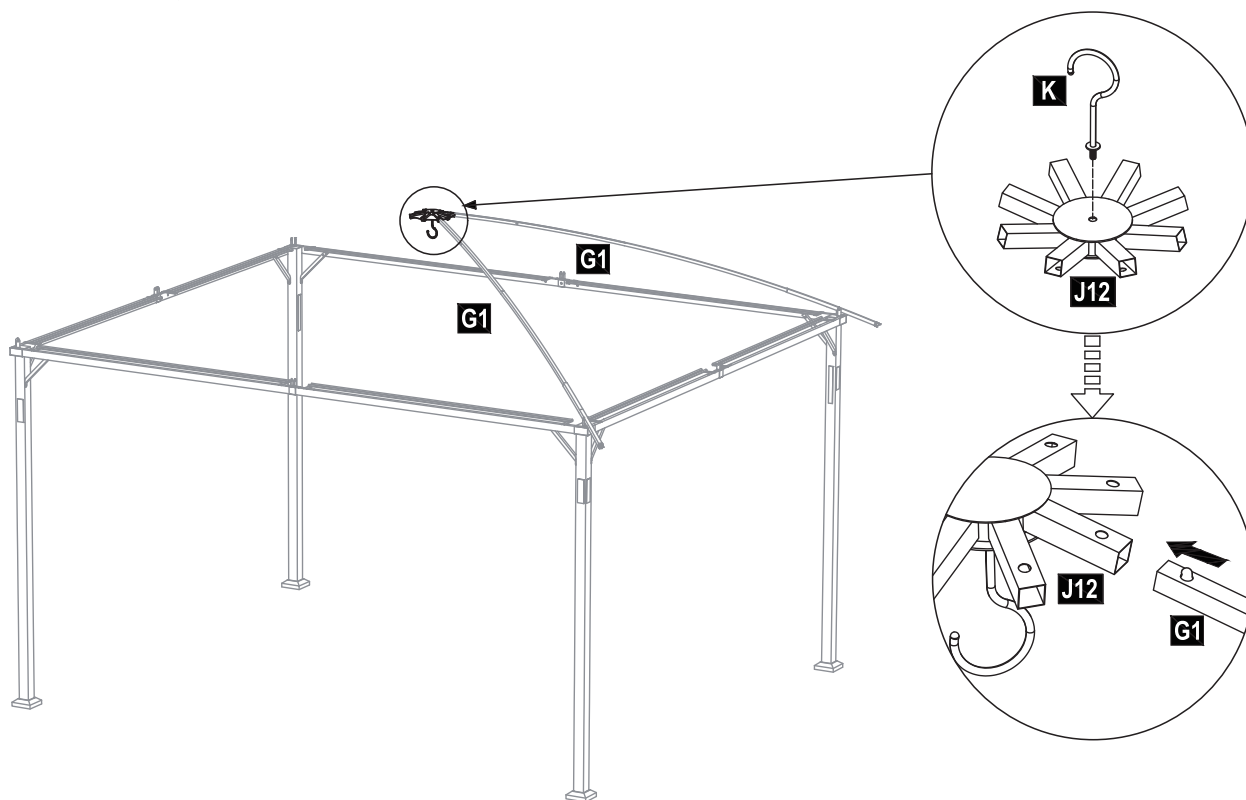


STEP 11 Slide roof rib **G2** onto **G1**. Use one (1) **[BB]** bolt, two (2) **[DD]** flat washers and one (1) **[CC]** nut to attach one (1) roof rib assembly **G1|G2** to connector **J5** on the post. Repeat with the other **G1|G2**.

- [BB]** x 2
- [CC]** x 2
- [DD]** x 4

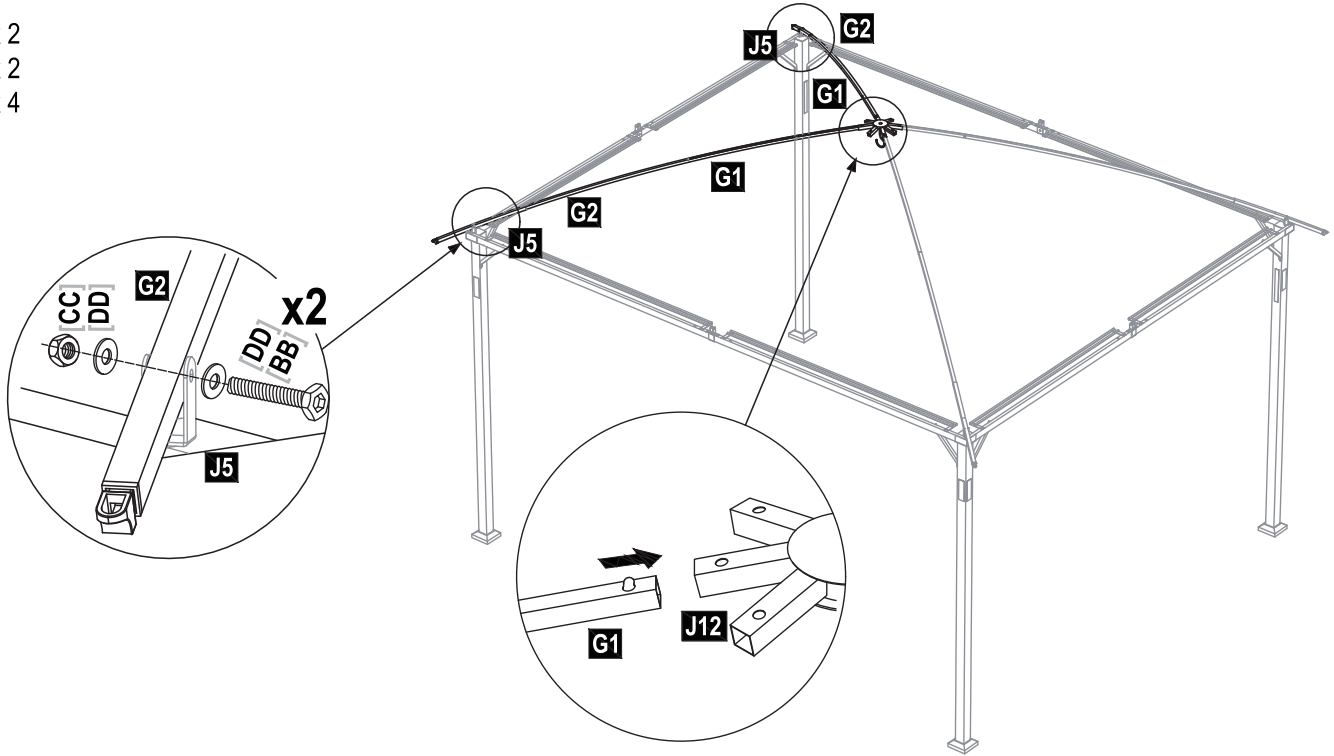


STEP 12 Attach hook **K** to connector **J12**. Then slide roof ribs **G1** into connector **J12**.



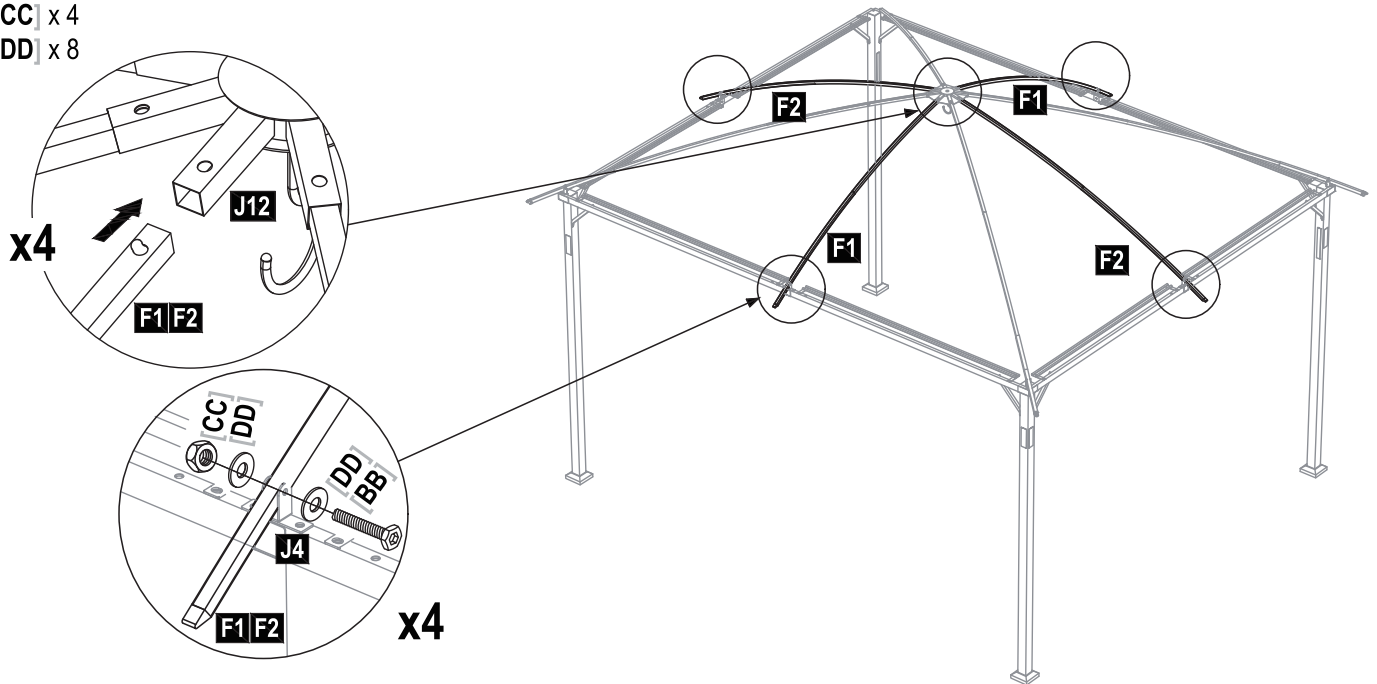
STEP 13 Slide roof rib **G2** onto **G1** . Use one (1) **[BB]** bolt, two (2) **[DD]** flat washers and one (1) **[CC]** nut to attach one (1) roof rib assembly **G1|G2** to connector **J12** on the post.  
Repeat with the other **G1|G2** . Then slide roof ribs **G1** into connector **J12** .

- [BB]** x 2
- [CC]** x 2
- [DD]** x 4

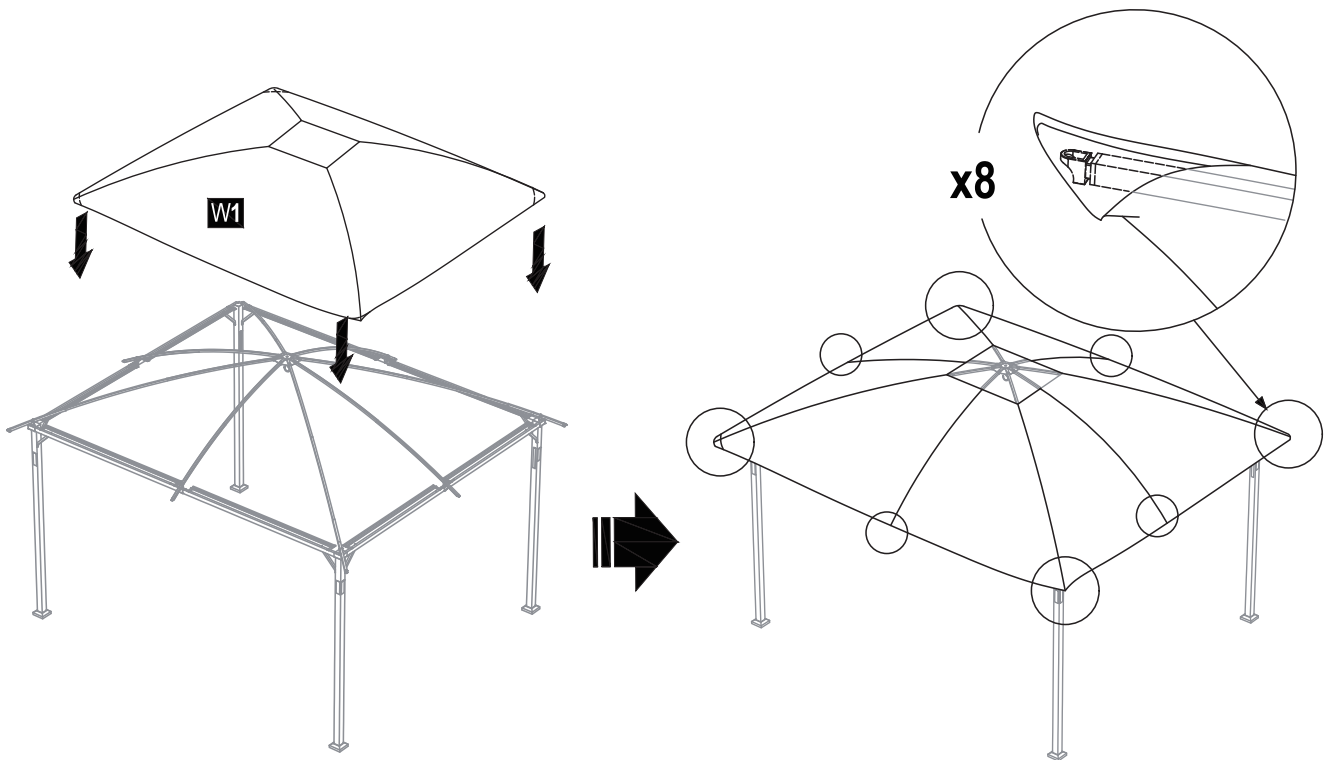


STEP 14 Slide the upper end of middle cross beam **F1** to connector **J12** . Use one (1) **[BB]** bolt, two (2) **[DD]** flat washers and one (1) **[CC]** nut to attach the lower end of **F1** to connector **J4** on cross beam assembly **D1|D2** . Repeat with the other middle cross beam **F1** .  
Slide the upper end of middle cross beam **F2** to connector **J12** . Use one (1) **[BB]** bolt, two (2) **[DD]** flat washers and one (1) **[CC]** nut to attach the lower end of **F2** to connector **J4** on cross beam assembly **D3|D4** . Repeat with the other middle cross beam **F2** .

- [BB]** x 4
- [CC]** x 4
- [DD]** x 8

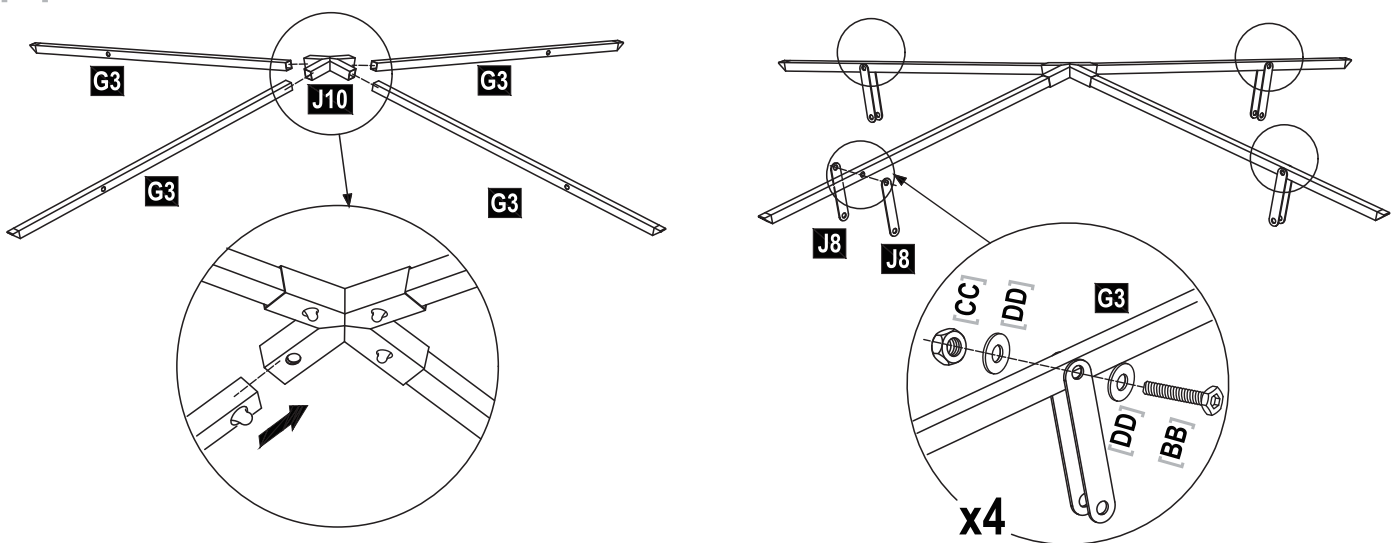


STEP 15 Attach the canopy **W1** to the frame by aligning the canopy's corners with the frame's top corners.

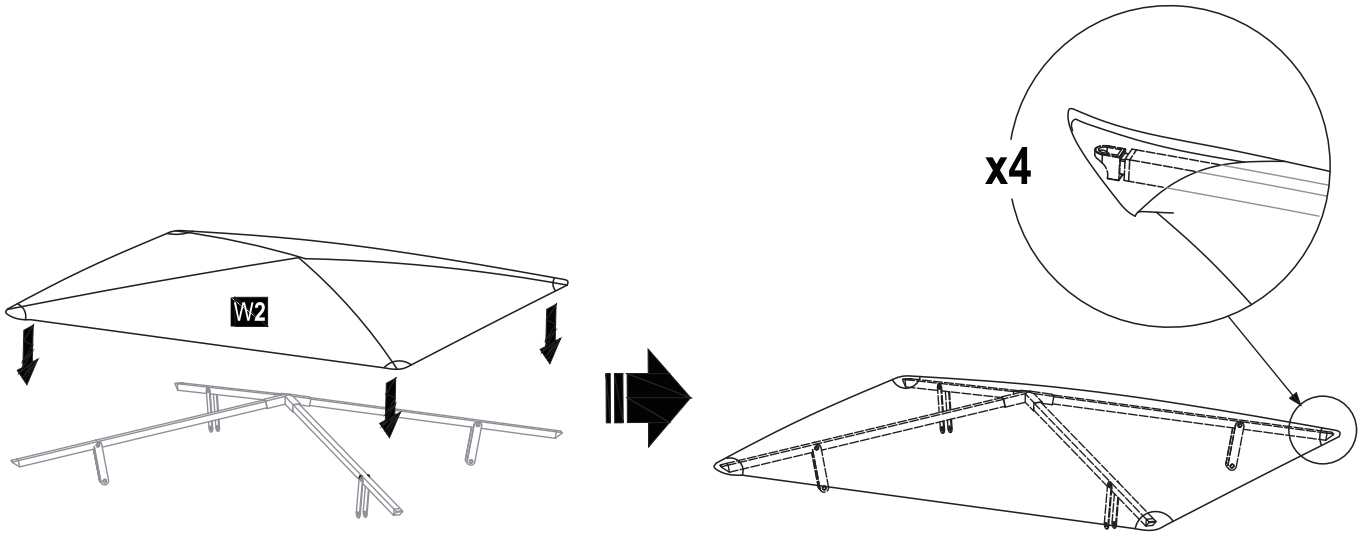


STEP 16 Slide each roof rib **G3** into connector **J10**. Use one (1) **[BB]** bolt, two (2) **[DD]** flat washers and one (1) **[CC]** nut to attach two (2) connector **J8** to each roof rib **G3**.

- [BB]** x 4
- [CC]** x 4
- [DD]** x 8

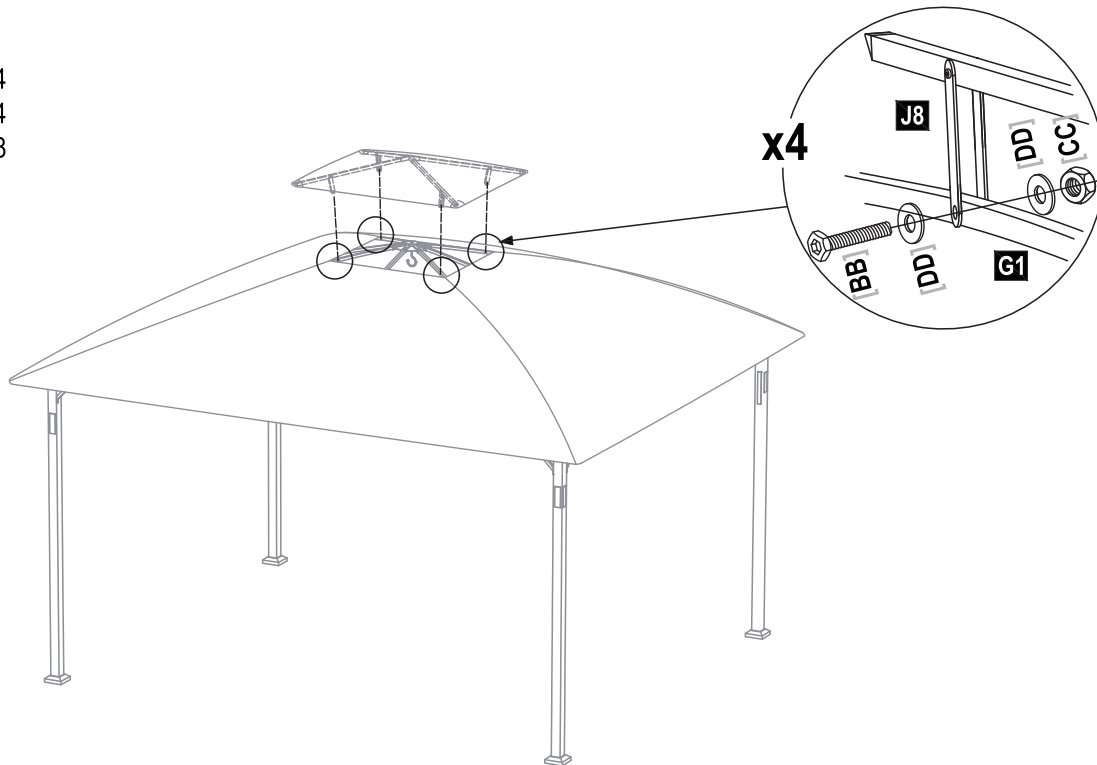


STEP 17 Attach the canopy **W2** to the frame by aligning the canopy's corners with the frame's top corners.

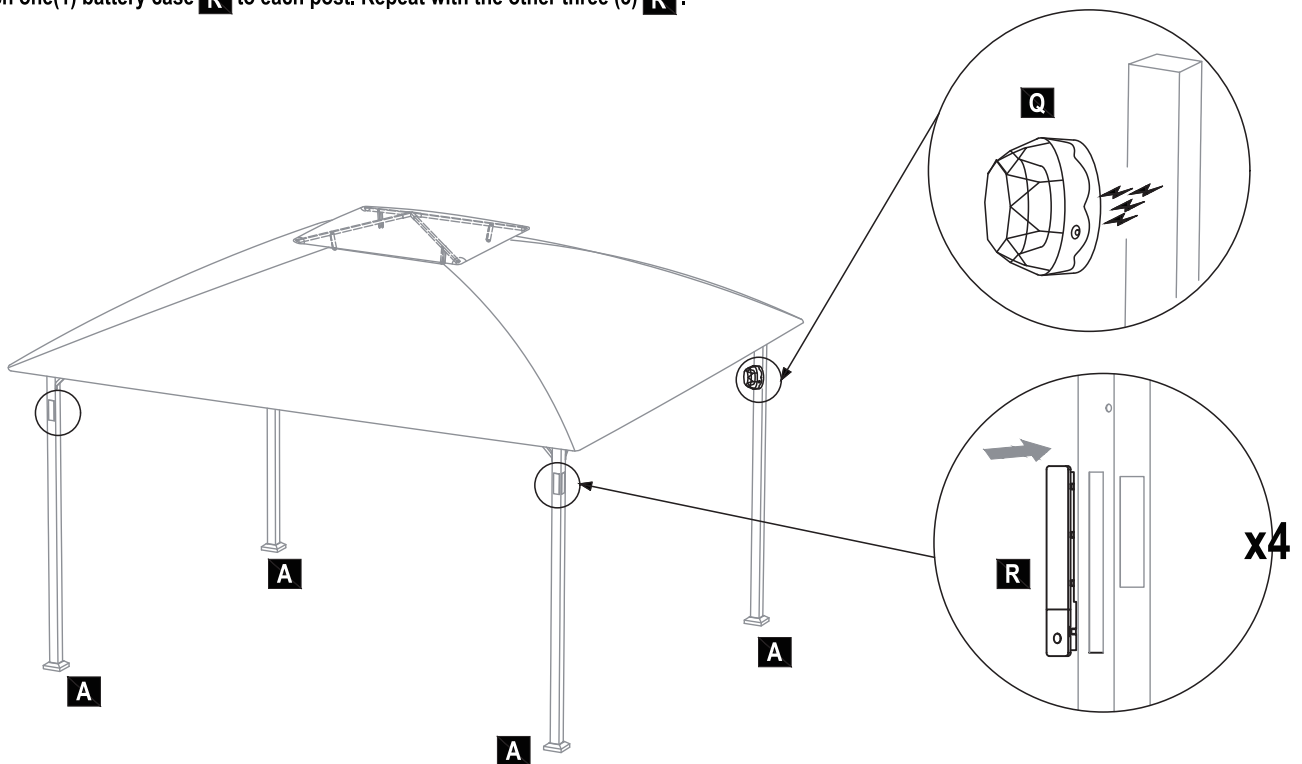


STEP 18 Use one (1) **BB** bolt, two (2) **DD** flat washers and one (1) **CC** nut to attach the other end of connector **J8** to roof rib **G1** on the lower frame.

- BB** x 4
- CC** x 4
- DD** x 8

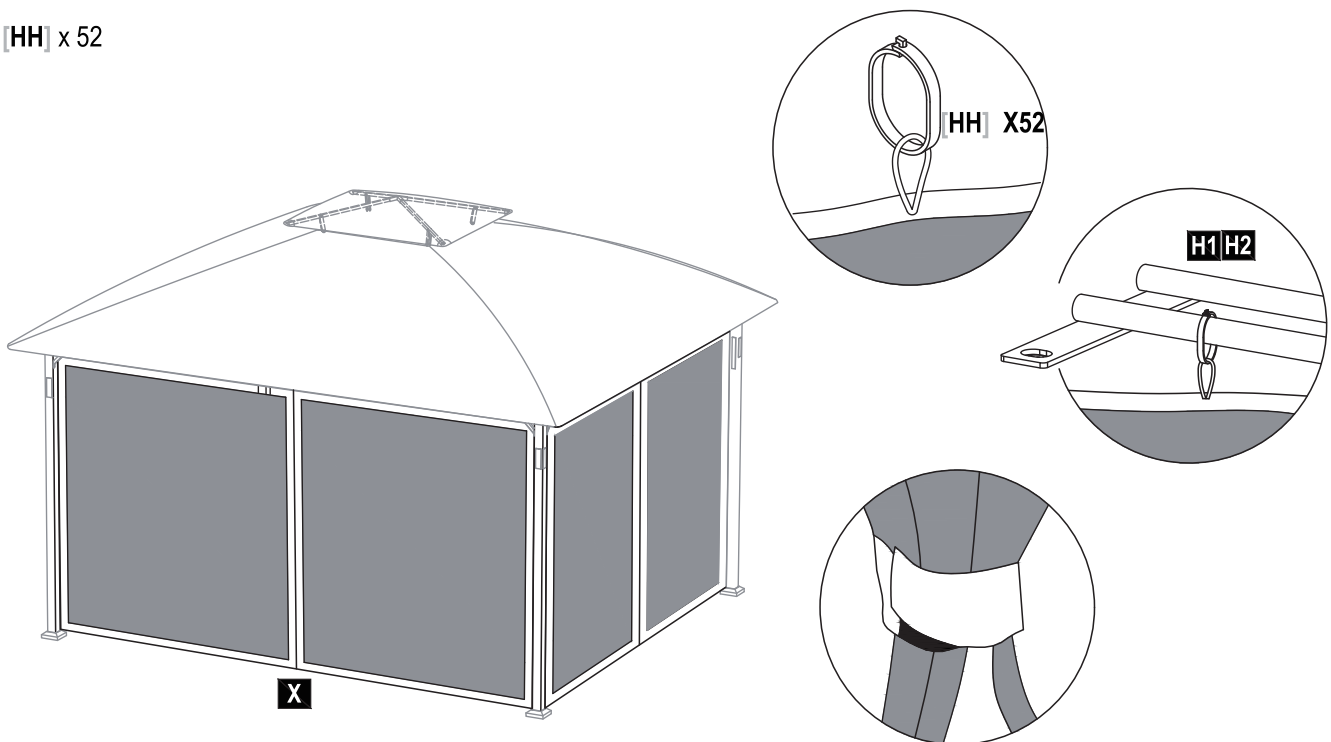


STEP 19 Attach the magnetic Bluetooth speaker **Q** to any post by positioning it as needed. Attach one(1) battery case **R** to each post. Repeat with the other three (3) **R**.



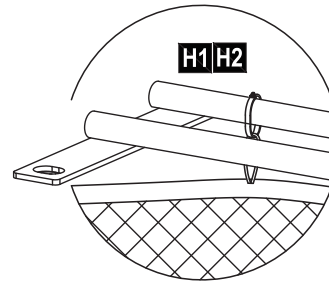
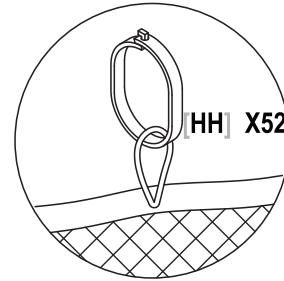
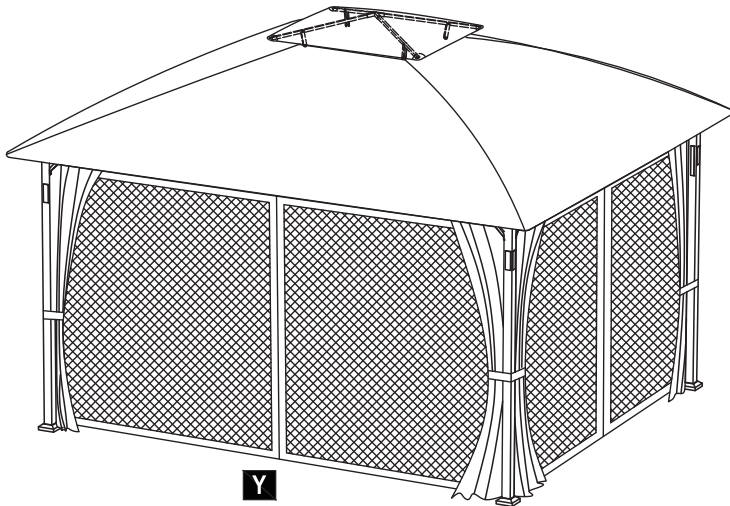
STEP 20 Use fifty-two (52) rings to attach privacy curtain **X** to mosquito net rod **H1/H2** as needed.

[HH] x 52



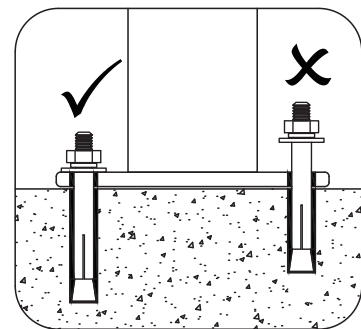
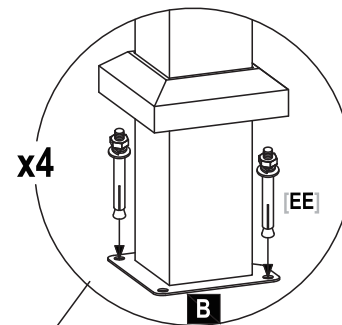
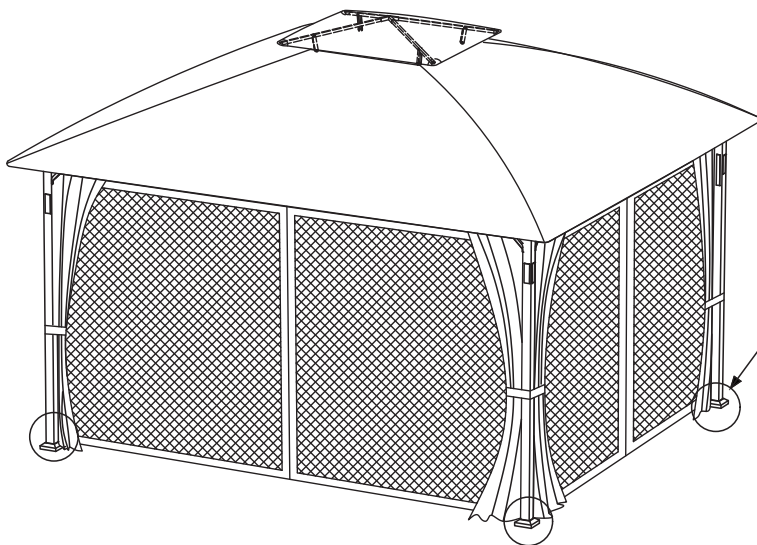
STEP 21 Use fifty-two (52) rings to attach mosquito netting **Y** to mosquito net rod **H1/H2** as needed.

**HH** x 52



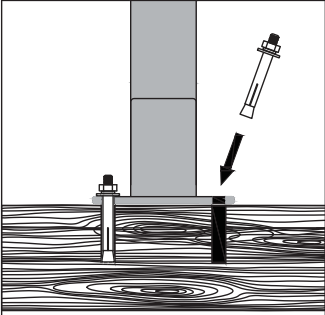
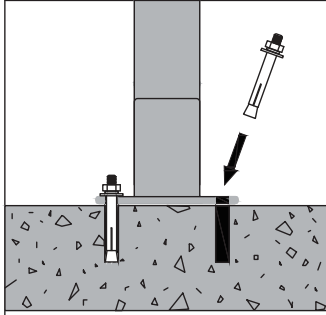


STEP 22 Use two (2) [TT] expansion bolts to anchor each post foot base **B** . please make sure the expansion bolts are fully anchored.

**EE** x 8



Outdoor Structure anchoring guide for anchoring gazebo to wood or concrete: If step 22, on page 13 in the assembly instructions is not properly completed, this will void the warranty.

**⚠ WARNING! If your gazebo is not properly anchored, damage could occur.** It is highly recommended for maximum safety that you mount and secure to wood or concrete footers. This is far better and safer than using ground stakes. The following are some examples of how to mount the structure to wood or concrete surfaces. Refer to local building codes or consider consulting a licensed contractor for assistance in the anchoring of this product.

WOOD	CONCRETE
	
<p>Anchors should be drilled into joists or reinforced blocking (not only deck boards).</p>  <p>Recommended Hardware: Expansion Bolt</p>	<p>Pre-drill holes for appropriately sized concrete anchors.</p>  <p>Recommended Hardware: Expansion Bolt</p>

If digging for foundation, please double check for possibility of any underground utilities such as gas, telephone, cable or sprinkler lines. Refer to your local building and city codes, ordinances, neighborhood covenants, or height restrictions regarding this type of structure for guidance on acceptable installation requirements.

**⚠ CAUTION**  
DO NOT climb or walk on roof for any reason.

- Our components are intended for privacy, decorative and ornamental use only.
- Product is NOT INTENDED for the following:
  - A safety barrier to prevent unsupervised access to pools, hot tubs, spas or ponds.
  - As load bearing support for a building, structure, heavy objects or swings.
  - Used in structures that trap wind, rain or snow that would create extra load on the product.
  - Accumulated snow must be removed from roof.
  - DO NOT climb or walk on roof for any reason.

### LIMITED WARRANTY

We warrants this product against defects in materials and workmanship for a period of one (1) year from the original date of purchase. To the extent any such defects occur, our products will send the appropriate replacement part(s) at no charge.

This warranty does not cover:

- Inspection costs or labor for replacement of any defective parts);
- Incidental or consequential damages;
- Cosmetic defects which DO NOT affect performance;
- Normal wear and tear;
- Damage due to vandalism; acts of nature, including but not limited to wind, storms, hail, floods;
- Improper assembly, installation, or use;
- Discoloration or fading of the finish as a result of exposure to chemicals, spills, pool or salt water
- Corrosion/ rust.

Your product has been designed for safety and quality. Any modifications made to the original product could compromise its structural integrity or function, and could lead to product failure or personal injury. As such, modifying this product voids any and all warranties.

This product is warranted for RESIDENTIAL USE ONLY, and is not for commercial, contract or other non-residential purposes. Products disclaims all other representations and warranties of any kind, express or implied.

The warranty applies to the original purchaser and is non-transferable. It does not apply to purchases of display models, or when the product is sold on clearance or "as is".

We makes no warranty whatsoever in respect to accessories or parts not supplied with it. This warranty shall apply only within the boundaries of the United States of America and Canada. This warranty gives the original purchaser specific rights, and the original purchaser may also have other rights, which vary from state to state.

