

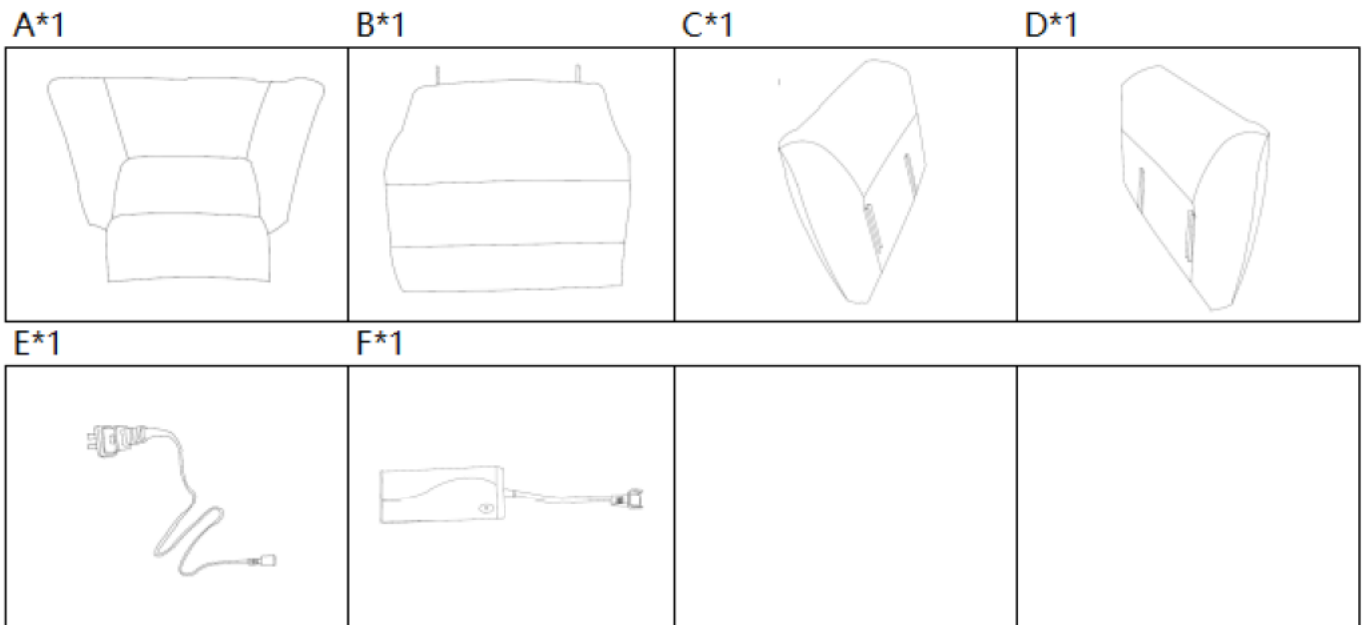
Assembly Instructions

CAUTION

Your recliner comes packaged in **Three** boxes. Carefully remove all of components from the packaging and set aside for assembly.

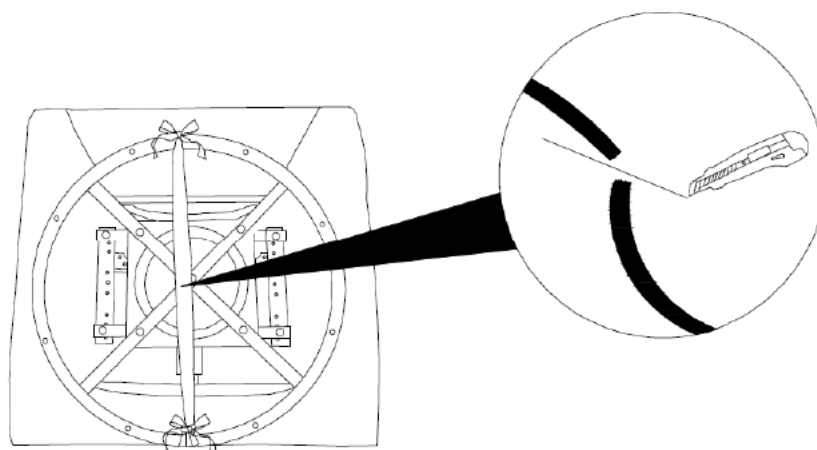
DO NOT use any sharp objects to open plastic wrapped components as this may result damage to product or components .

Package Contents



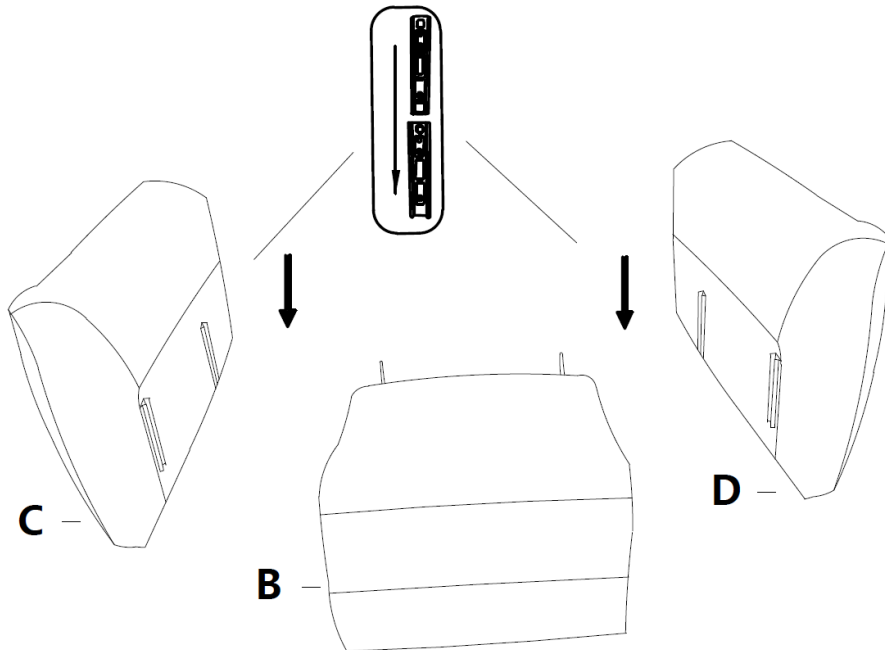
Step 1:

First cut the fixing line at the bottom of the **Seat (B)** with a knife.



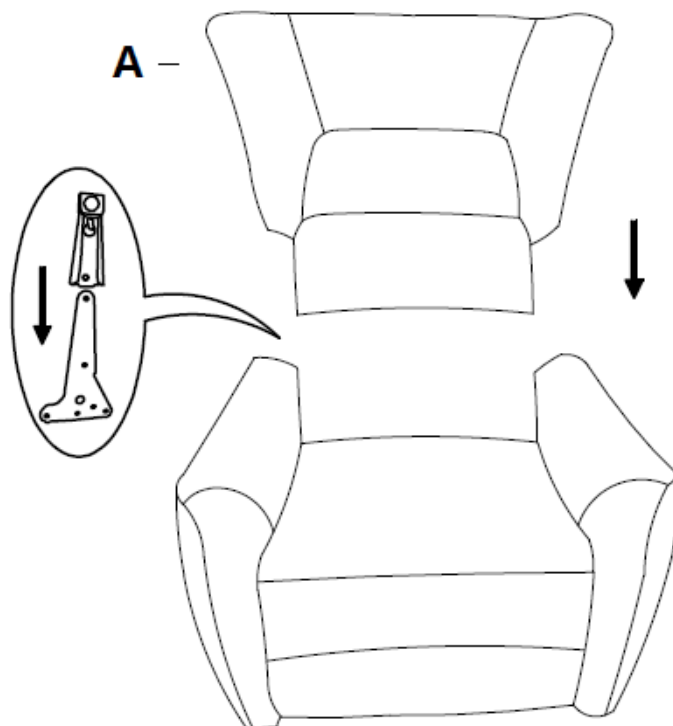
Step 2:

Install the **Seat Armrests (C, D)** on the **Seat (B)** by sliding them downward on metal slides. You need to make sure they are firmly installed before use.



Step 3:

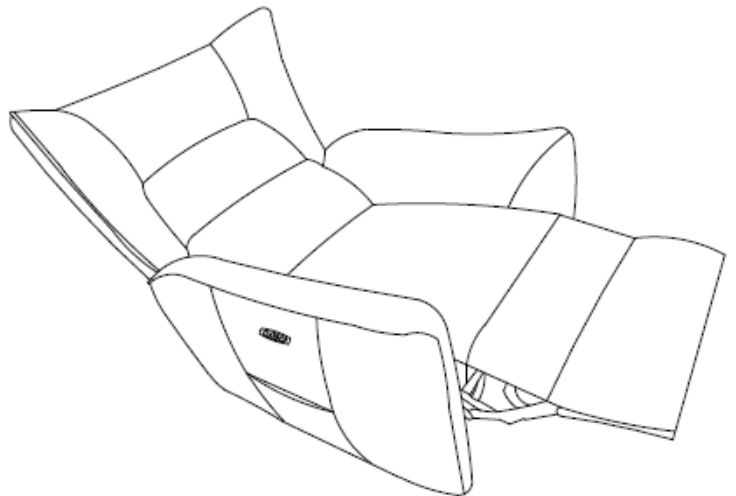
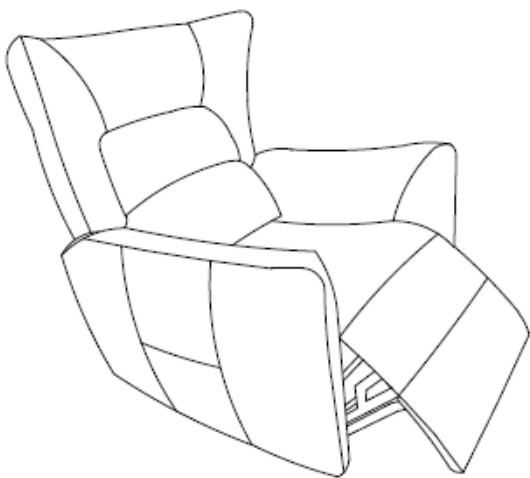
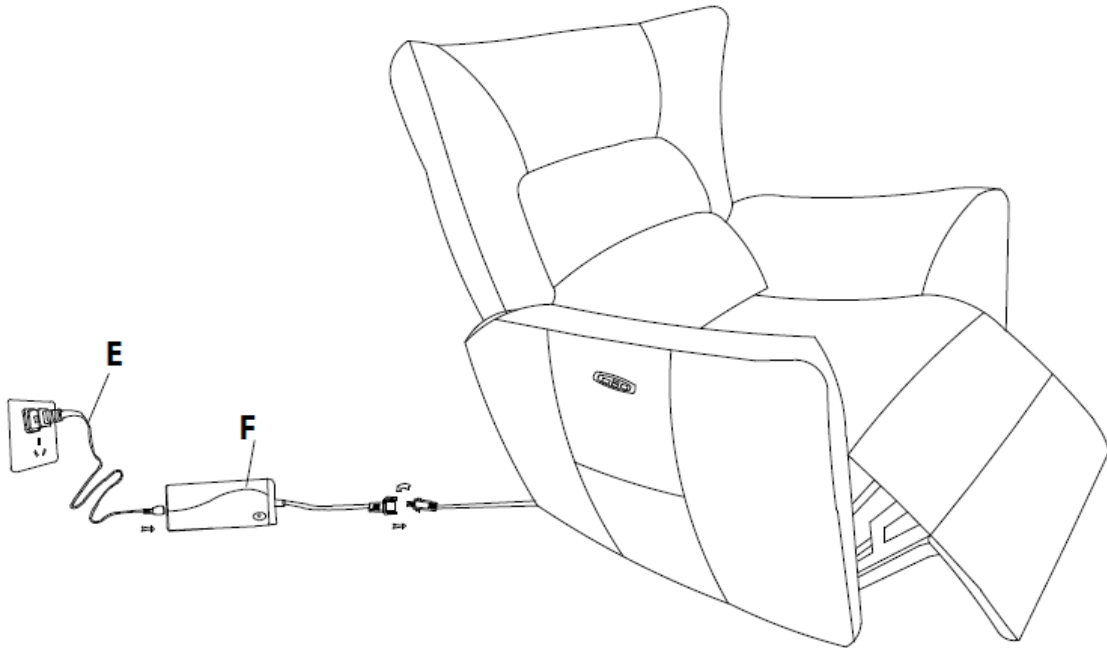
Install the **Seat Backrest (A)** on the **Seat (B)** by sliding it downward on a metal slide, you need to make sure it is firmly installed before use.



Step 4:

Note that make sure your hands are dry while you are doing this step.

First connect the power converter (F) to the seat and fasten the safety buckle, then connect the power cord (E) to the power converter (F), and finally turn on the power.



Warnings

1. Please check if the components of the chair are all included and can be used normally as the 5th tip.
2. Assemble all components according to the instruction correctly before you connect the chair with the power.
3. Please DO NOT sit on the armrests and footrest to eliminate the risk of tipping over.
4. If the sofa is damaged or doesn't match the website product, please send clear pictures of the product and label of the carton to our service team, and we'll help you to solve the problem.
5. If the recliner doesn't work, you can try the following measures for self-checking firstly:
 - ① Check if all the cable are connected;
 - ② Check if the light of transformer is on.If the chair still doesn't work, please feed the information back to the customer service in time. We will help solve the problem for you as soon as possible.
6. If you have any questions with the product, please contact us

