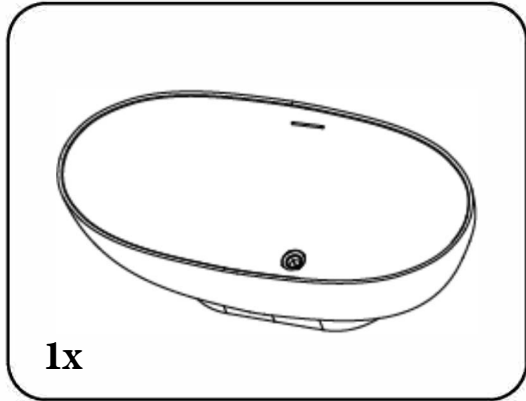


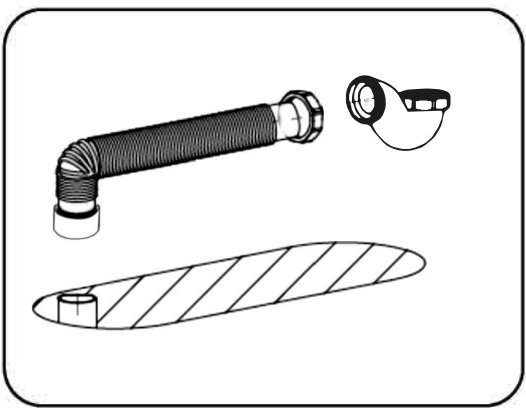
CRAFT TECH HAVEN STONE BATHTUB

INSTALLATION/CARE GUIDE

Part Supplied:



Part Supplied:



Important

- Before starting the installation, please carefully read the following instructions and ensure compliance with all local plumbing and building codes.
- Check the installation area to confirm that the floor is level and structurally sound.
- Carefully unwrap the bathtub and examine it for any damage that may have occurred during shipping.
- Store the tub in a safe location until you're ready to begin installation to prevent any surface damage.
- For safety and the best results, we strongly recommend having a qualified, licensed professional handle the installation.
- Due to the size and weight of the tub, we advise having at least one additional person assist with the installation.
- Even a small fall can cause the tub to crack.
- We also suggest using moving straps and rubber-gripped gloves to ensure safe handling.

Cleaning and Maintenance

- Clean your tub with a soft, dry cloth after each use to keep it looking fresh.
- For minor scratches, use fine-grit sandpaper, a soft brush, or a non-abrasive sponge with a mild abrasive cleaner to gently buff out imperfections.
- Avoid using abrasive cleaners, or any cleaners containing acid, alkali, or ammonia, as these can damage the surface.
- Do not expose the tub's surface to hair dye, nail polish, or similar substances, as they may cause staining.

To Restore Gloss Finish

- Clean the surface thoroughly with water to remove any dust or debris.
- Start polishing the scratched area with 800-grit sandpaper, followed by 1500-grit,
- And then finish with 2000-grit sandpaper.
- For an even finer finish, you can do a final polish with 3000-grit sandpaper.

