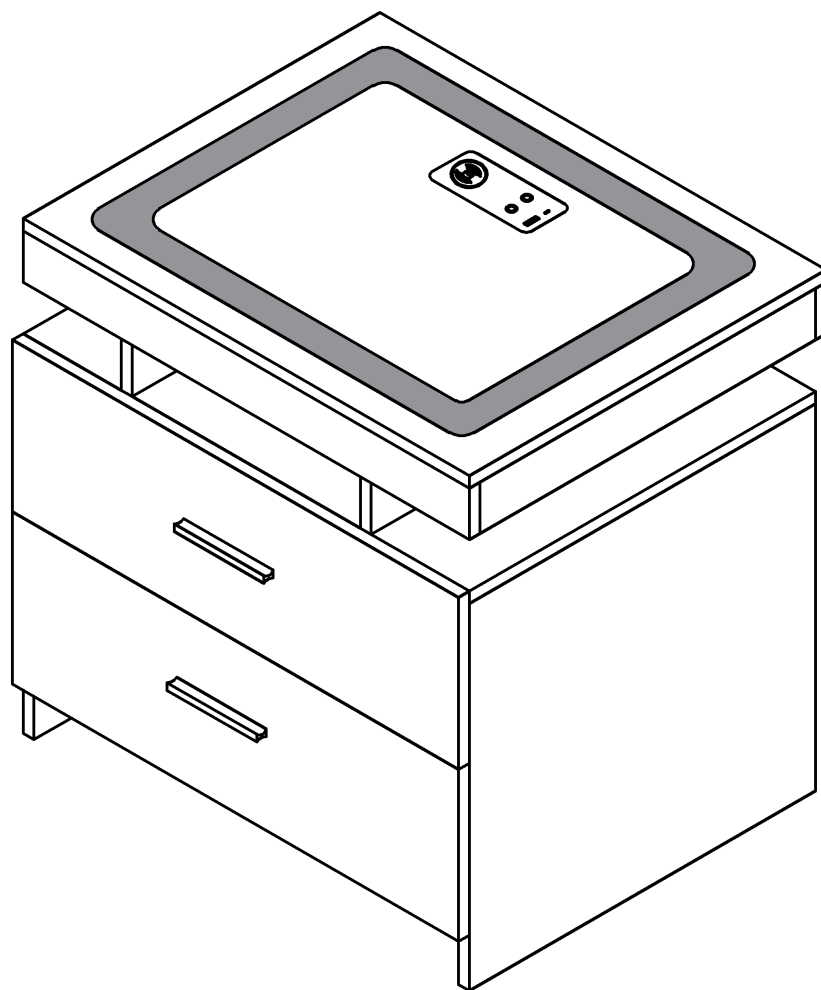
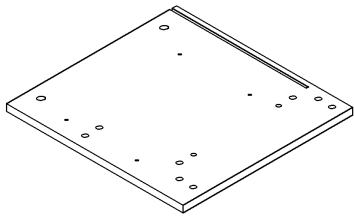
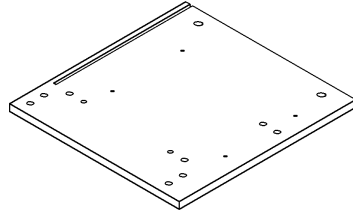


Product Installation Instructions





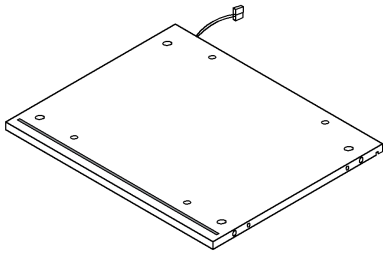
Ax1



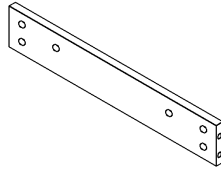
A2x1



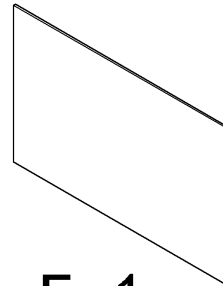
Bx1



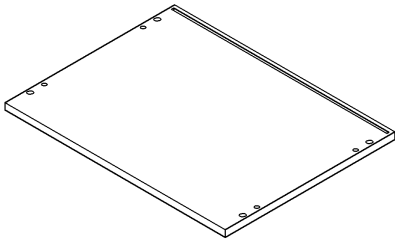
Cx1



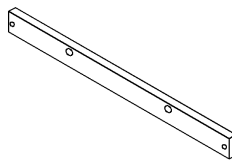
Dx2



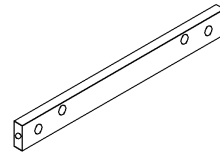
Ex1



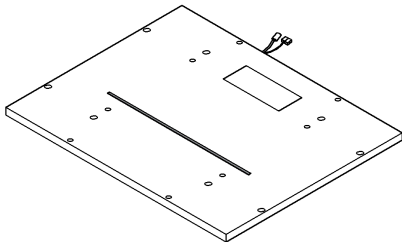
Fx1



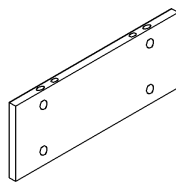
Gx2



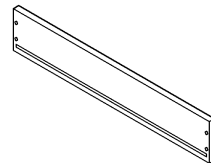
Hx2



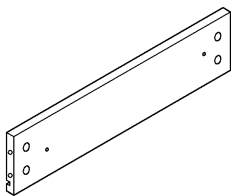
Ix1



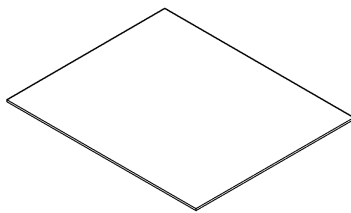
Jx2



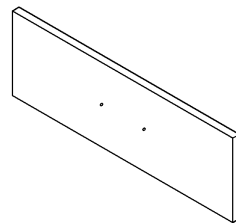
Kx2



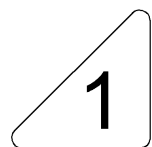
Lx4



Mx2

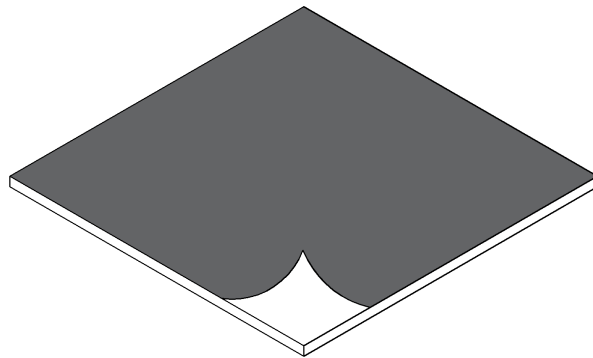


Nx2



1

①		Two In One Screw (6x28mm)	60pcs +4pcs
②		Two In One Nut (10x12mm)	60pcs +4pcs
③		Wood Chipping (6x30mm)	16pcs +2pcs
④		Screw & Guide (3x12mm)	20pcs +4pcs 4pcs
⑤		Screw & Handle (4x16mm)	4pcs +1pcs 2pcs
⑥		Back Plate Buckle & Screw (3x16mm)	4pcs
		AC/DC Adapter (12V=3.0A)	1pcs
  <p>1pcs Double-head screwdriver, use as required</p>			②



The plates used in this product are bright plates,

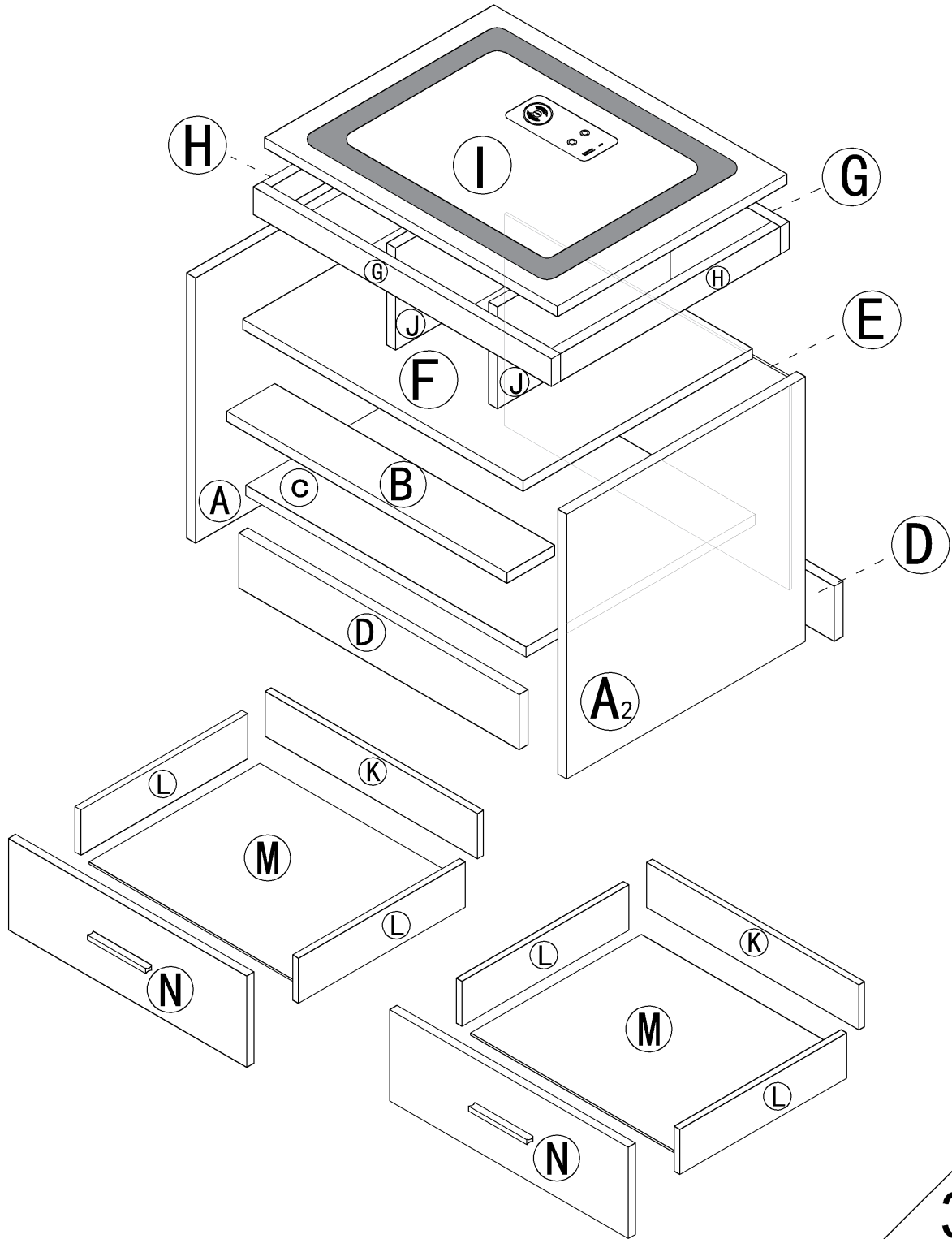
With a transparent protective film

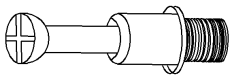


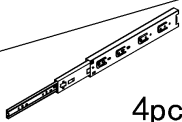


The function of the protective film is prevent the product from being scratched during transportation

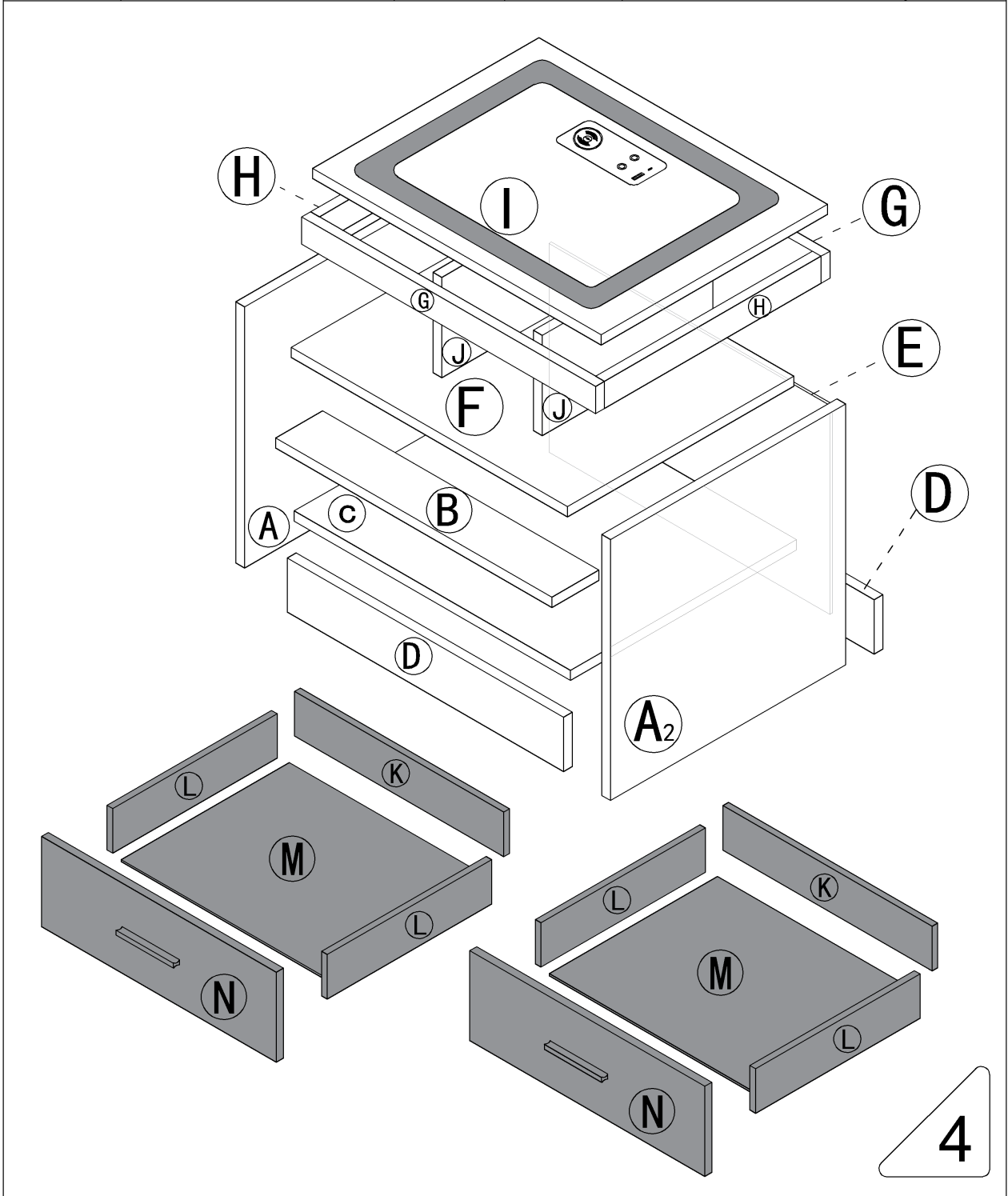
Please remove the protective film before installing the product,

Avoid difficult removal of the protective film after installation

Product structure decomposition

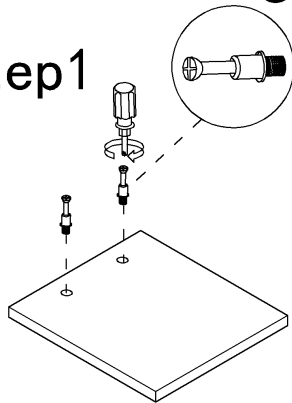


<p>1</p> 	<p>16pcs</p>	<p>4</p> 	<p>8pcs</p>   <p>4pcs</p>
<p>2</p> 	<p>16pcs</p>	<p>5</p>	<p>4pcs</p>  <p>2pcs</p>

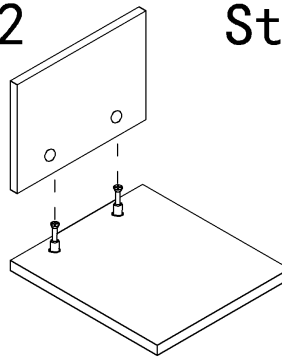


Use parts ① and ②

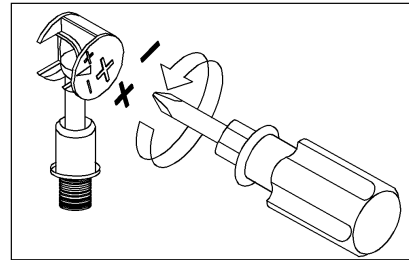
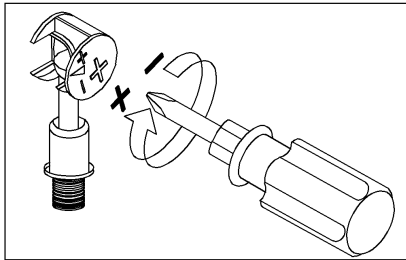
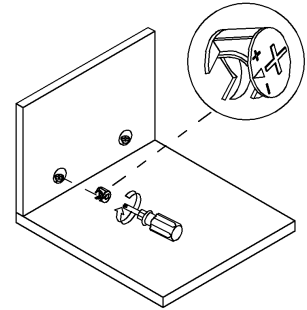
Step1



Step2



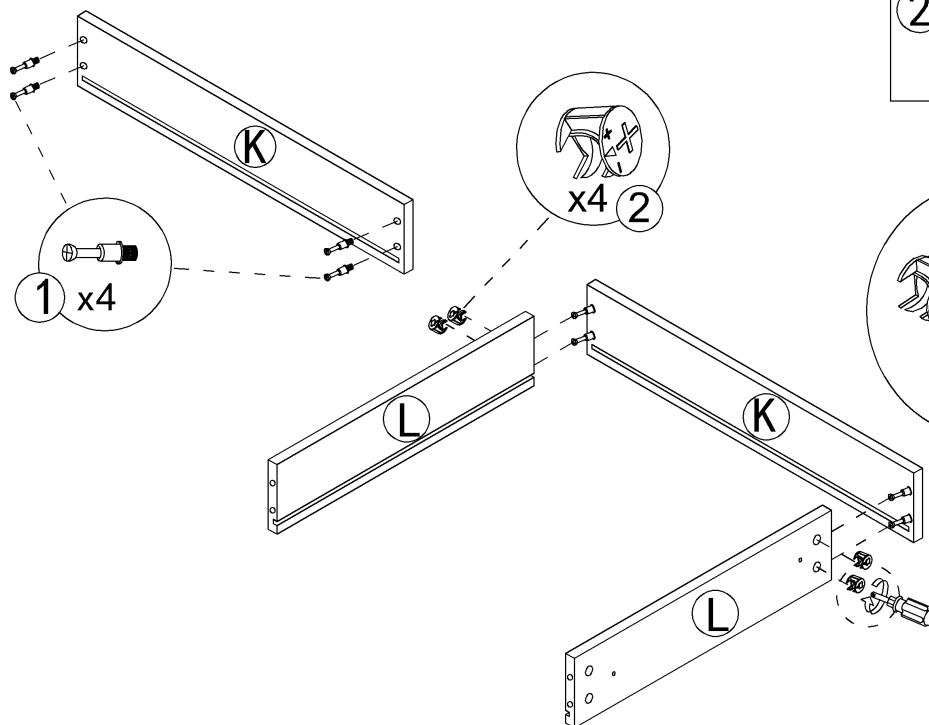
Step3



Use a screwdriver to lock in the direction of the "+" sign

Disassemble along the direction of "-" sign

Step 1

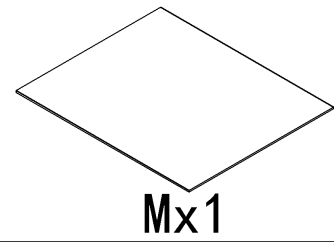
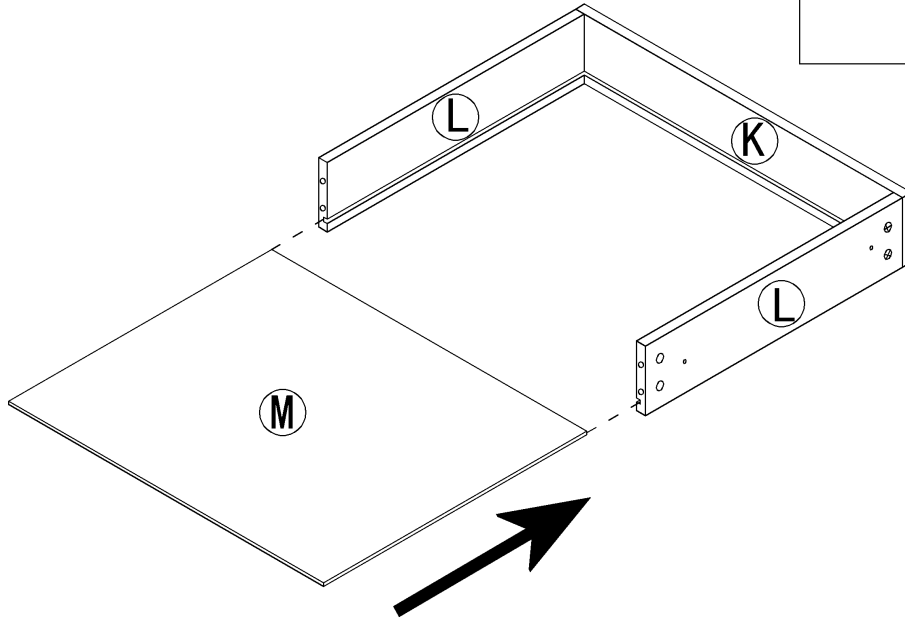


① x4

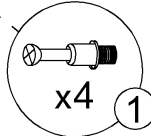
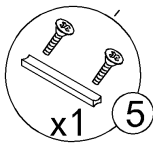
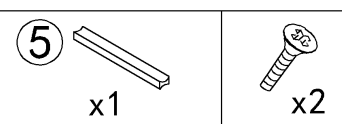
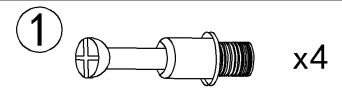
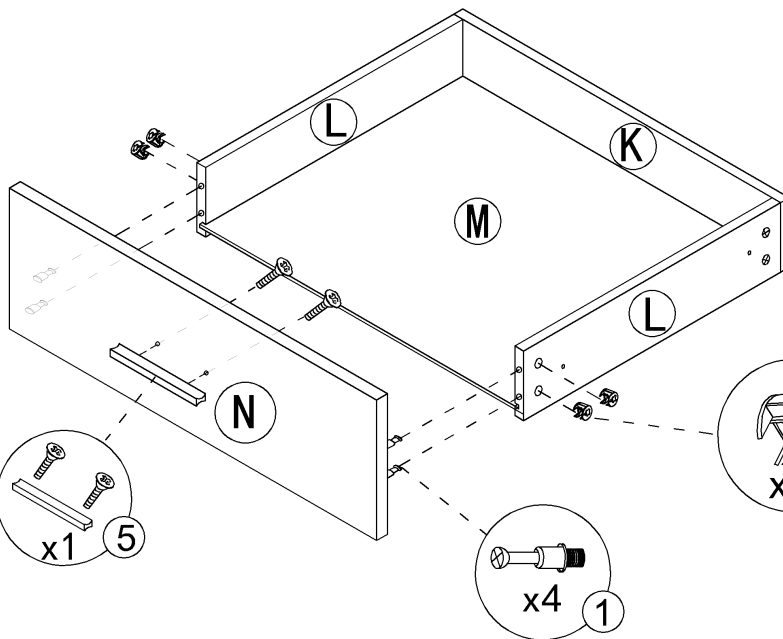
② x4

5

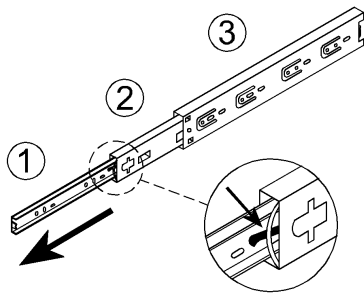
Step 2



Step 3

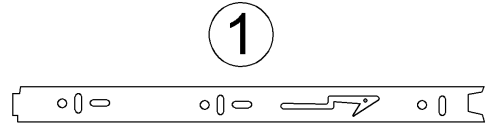


Drawer rail breakdown diagram



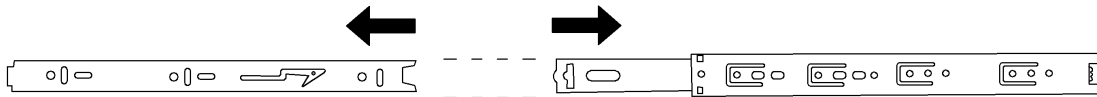
Step 1 : Pull the rails apart

Step 2 : Push the nylon buckle outward ①



②

③

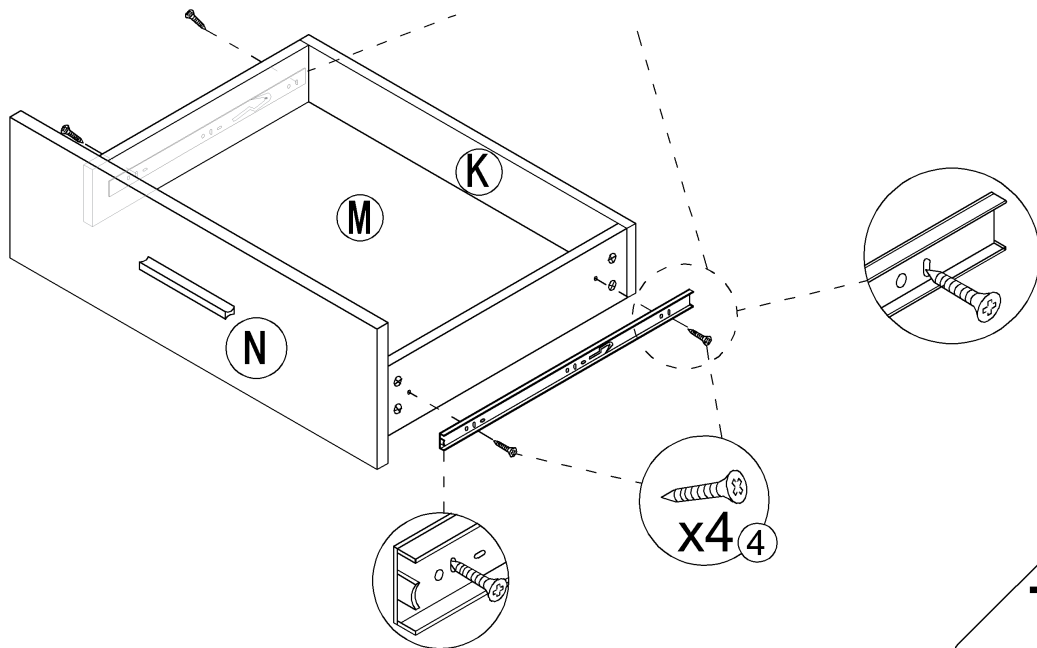
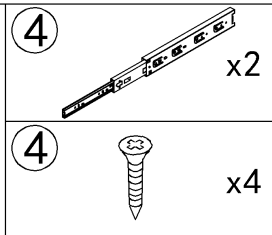
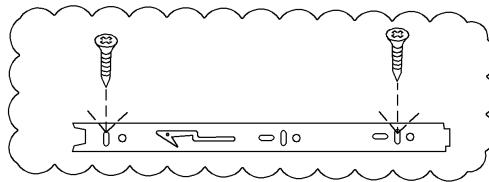


①

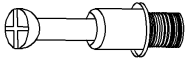


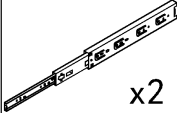
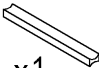

②

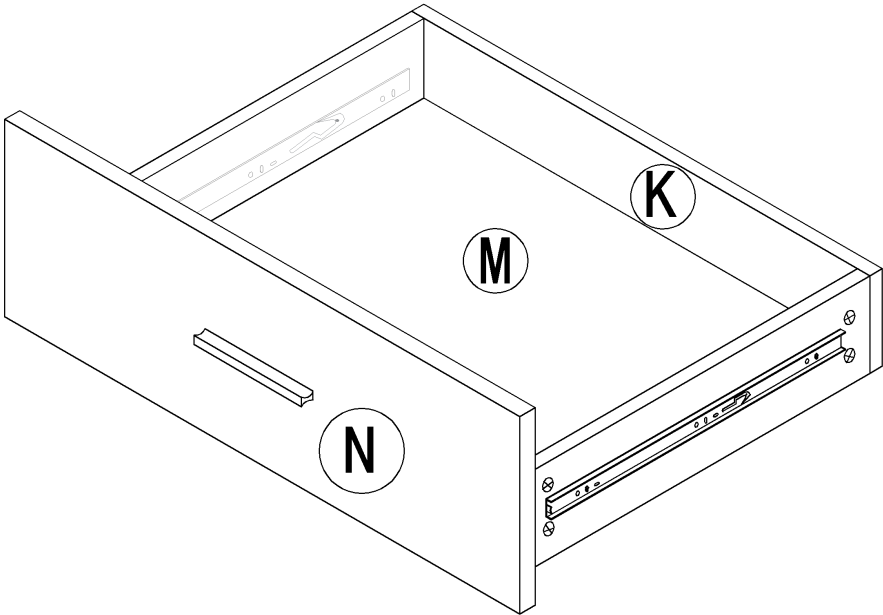
③

Step 4

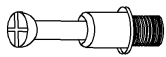
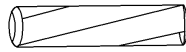




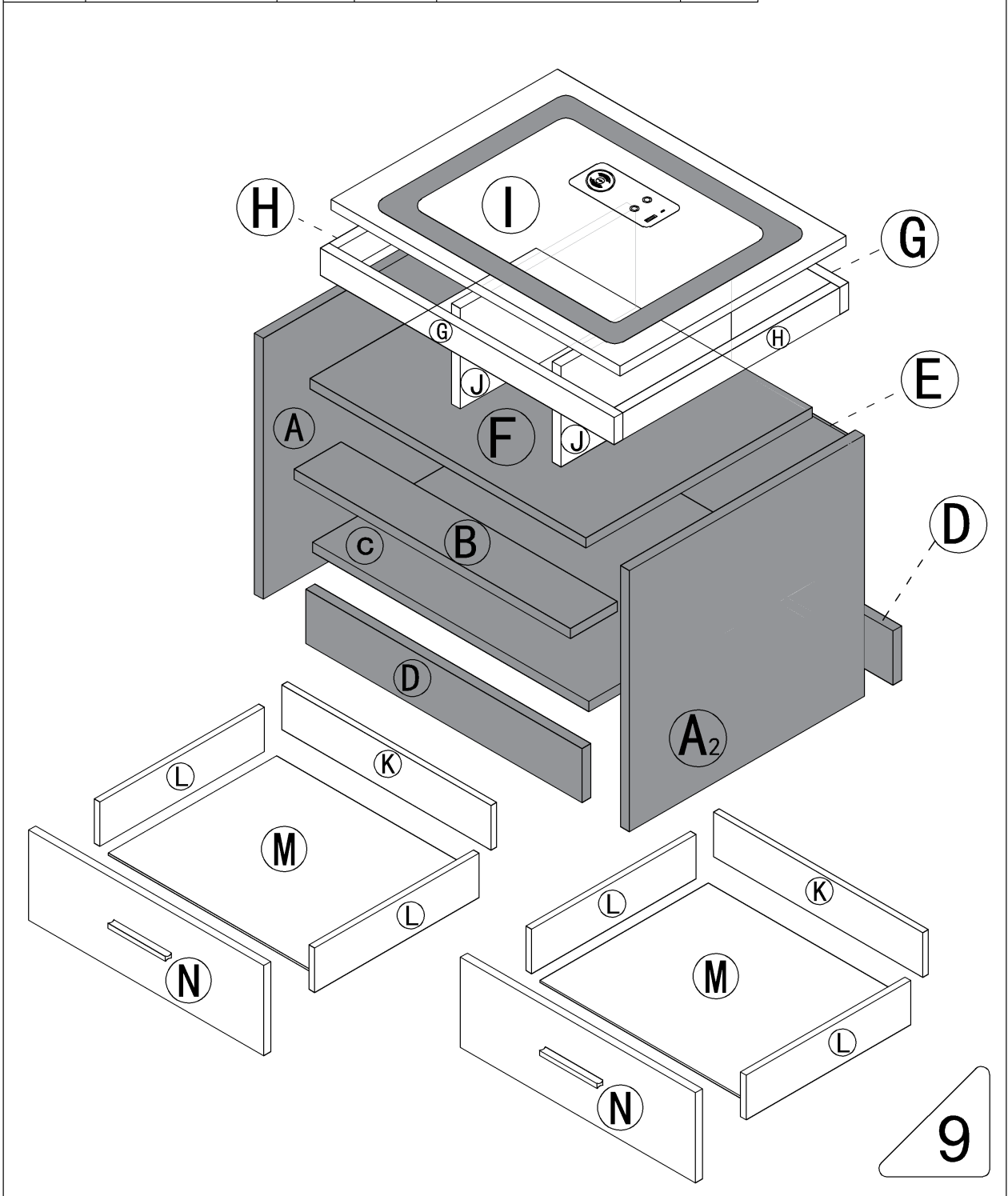
Step 5

①		x8
②		x8
④	 x4	 x2
⑤	 x1	 x2

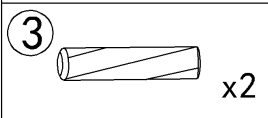
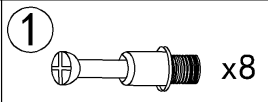
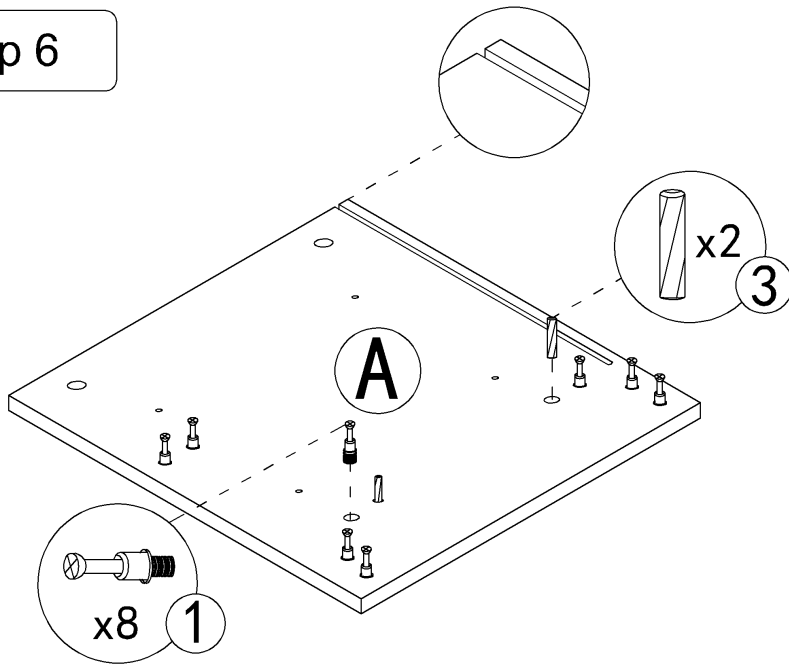


Use the same way to install another drawer

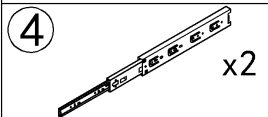
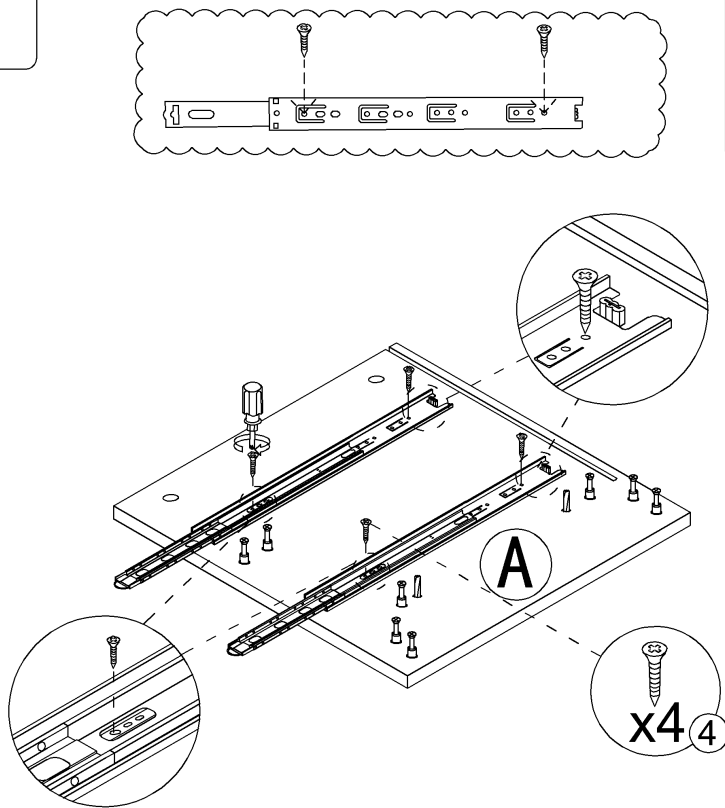
①		28pcs	③		12pcs
②		24pcs	④		12pcs



Step 6

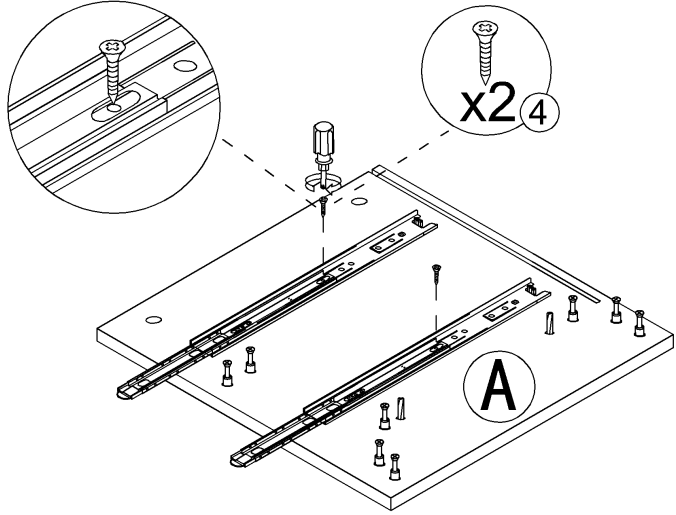


Step 7



Step 8

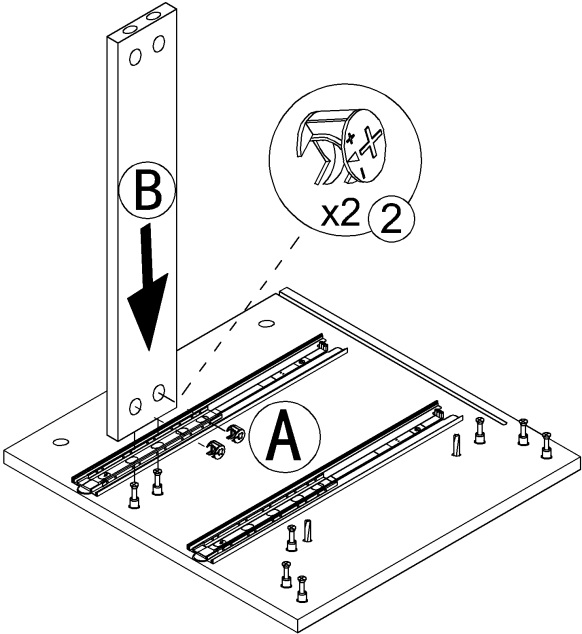
4  x2



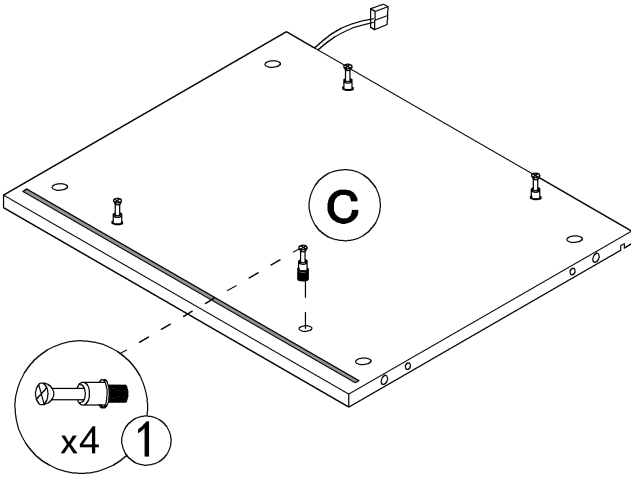
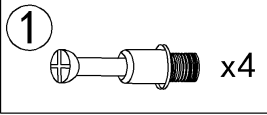
This hole is for strengthening fixed hole customers can choose to install according to their needs.

Step 9

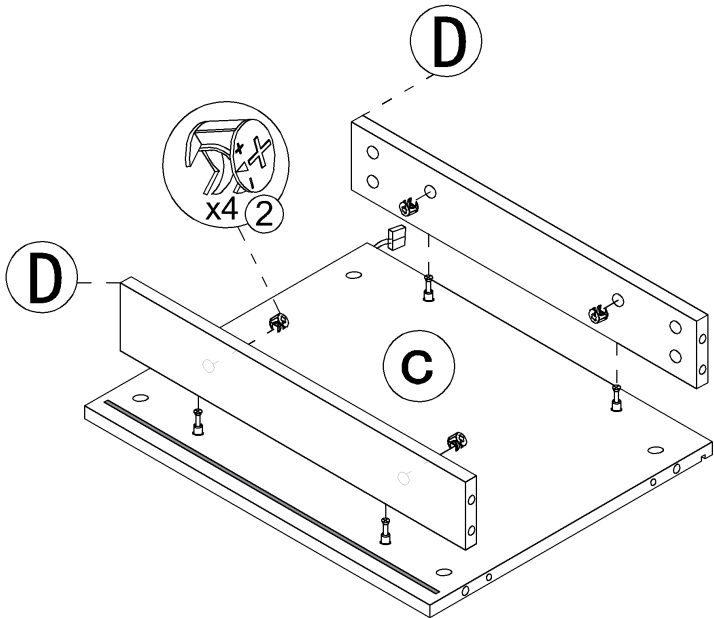
2  x2



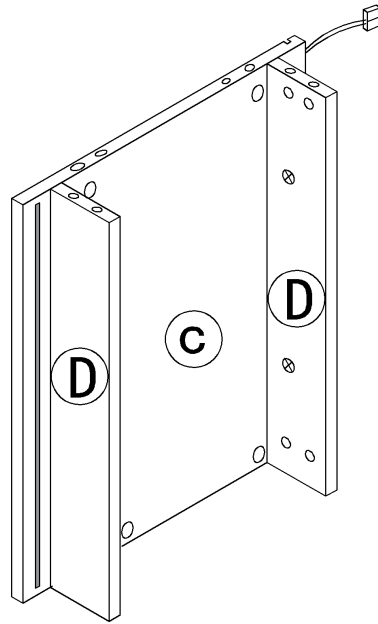
Step 10



Step 11

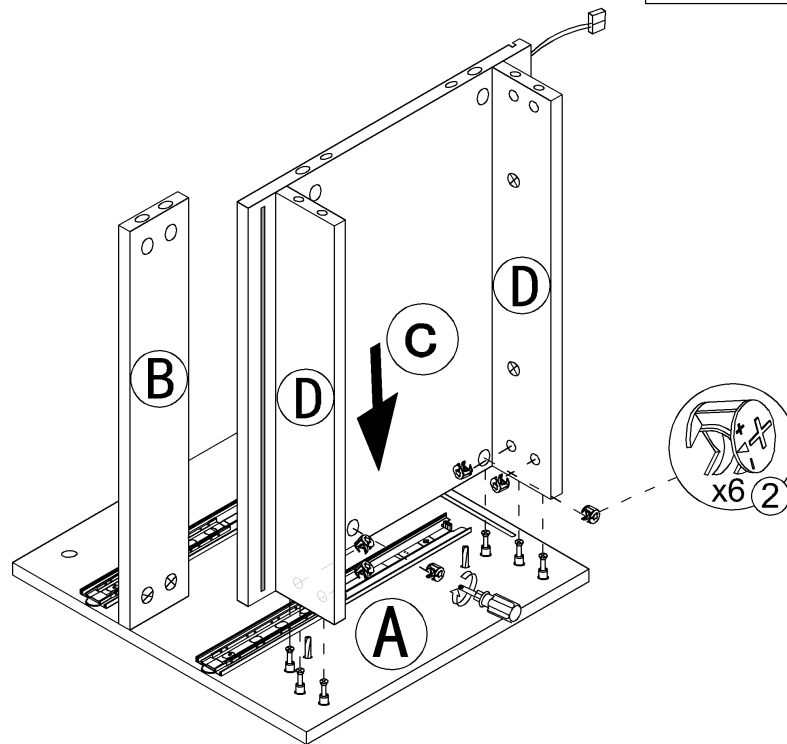


Step 12

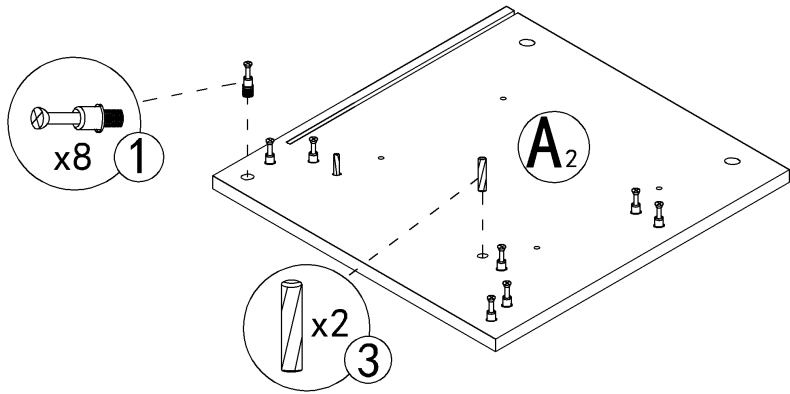
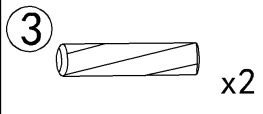
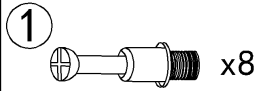


Step 13

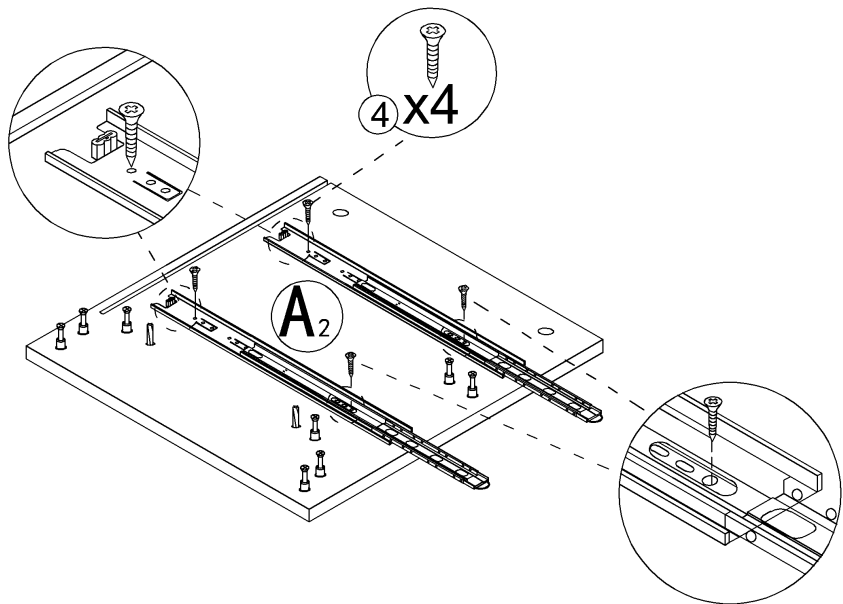
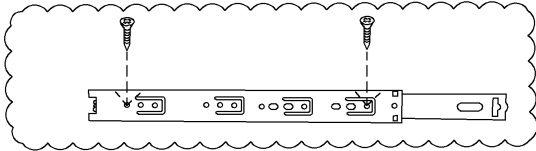
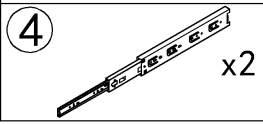
②  x6




Step 14

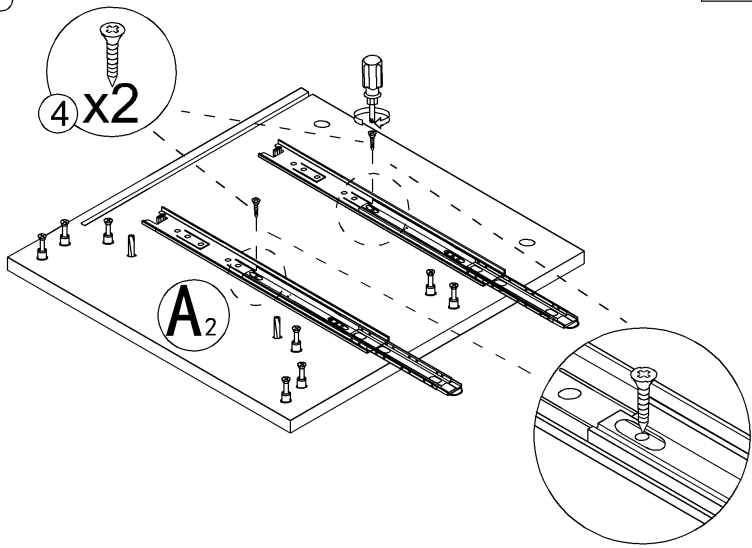


Step 15



Step 16

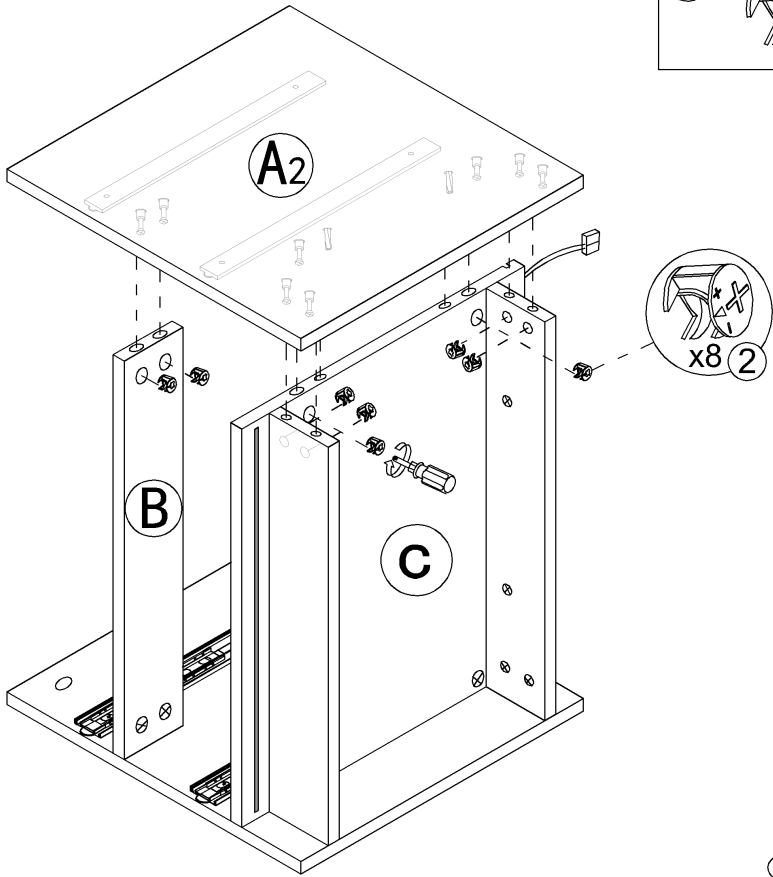
4  x2



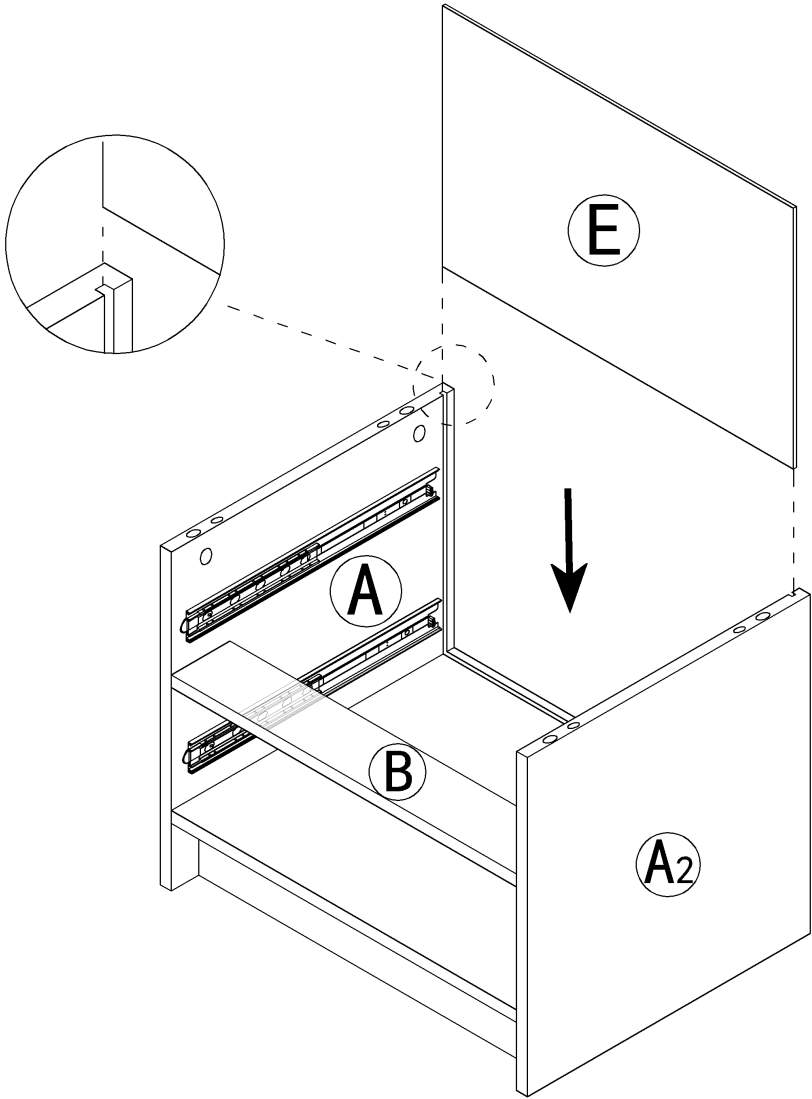
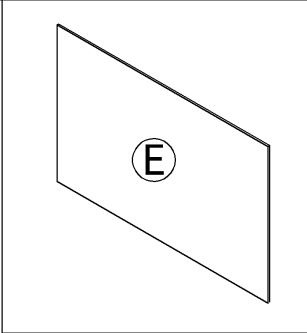
This hole is for strengthening fixed hole customers can choose to install according to their needs.

Step 17

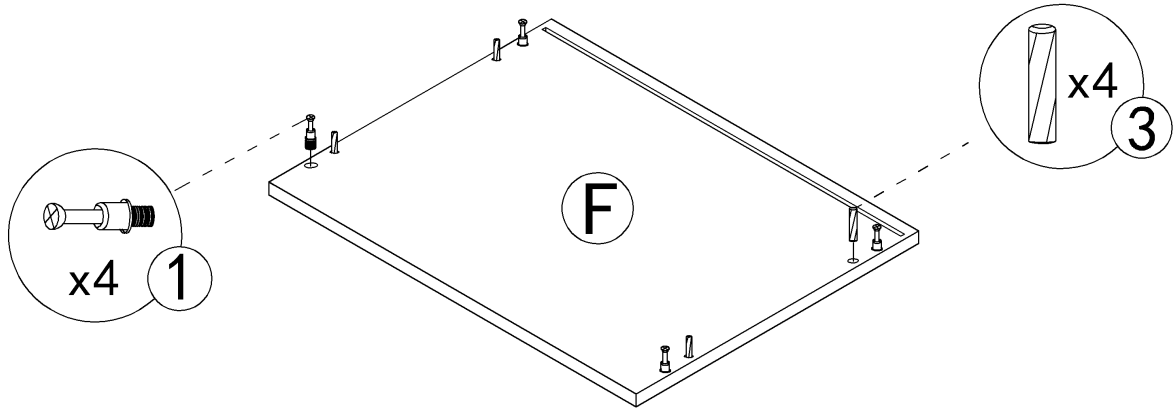
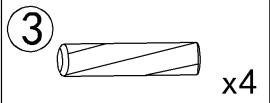
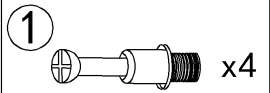
2  x8



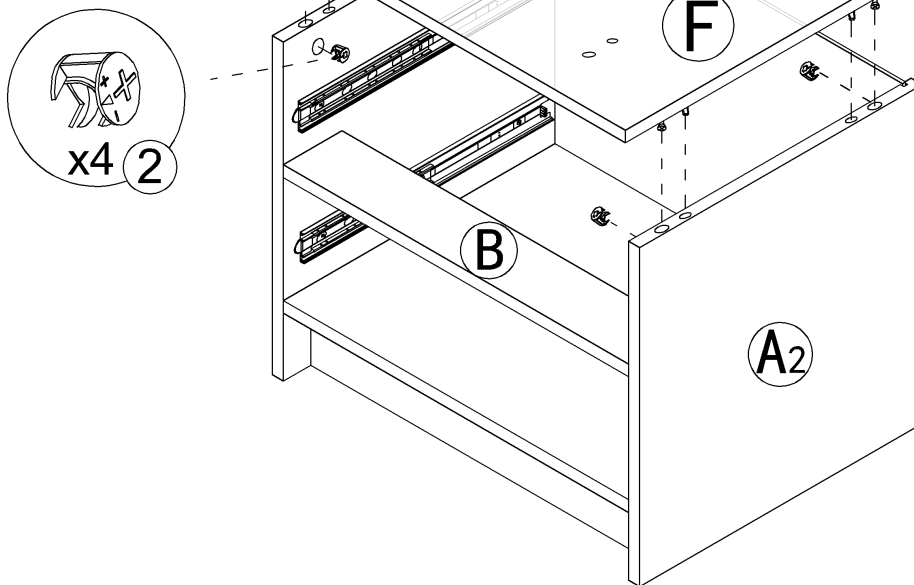
Step 18



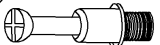
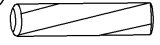
Step 19

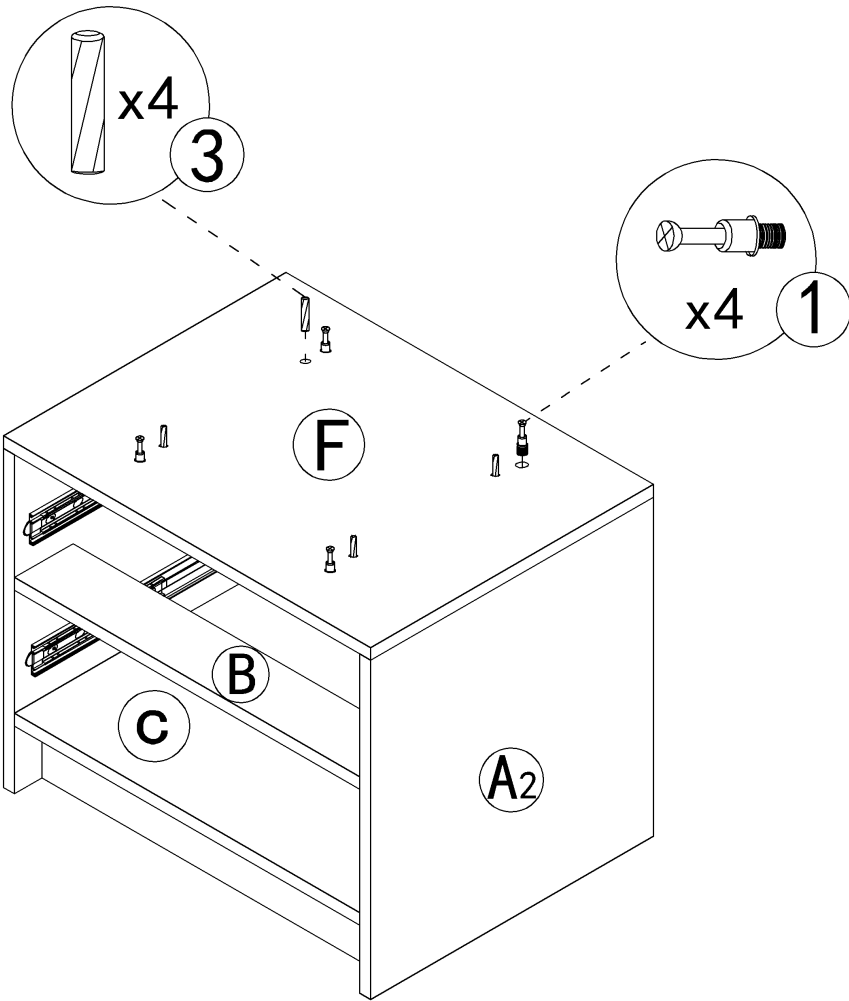


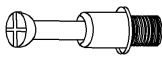
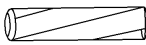
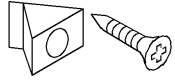

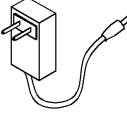
Step 20

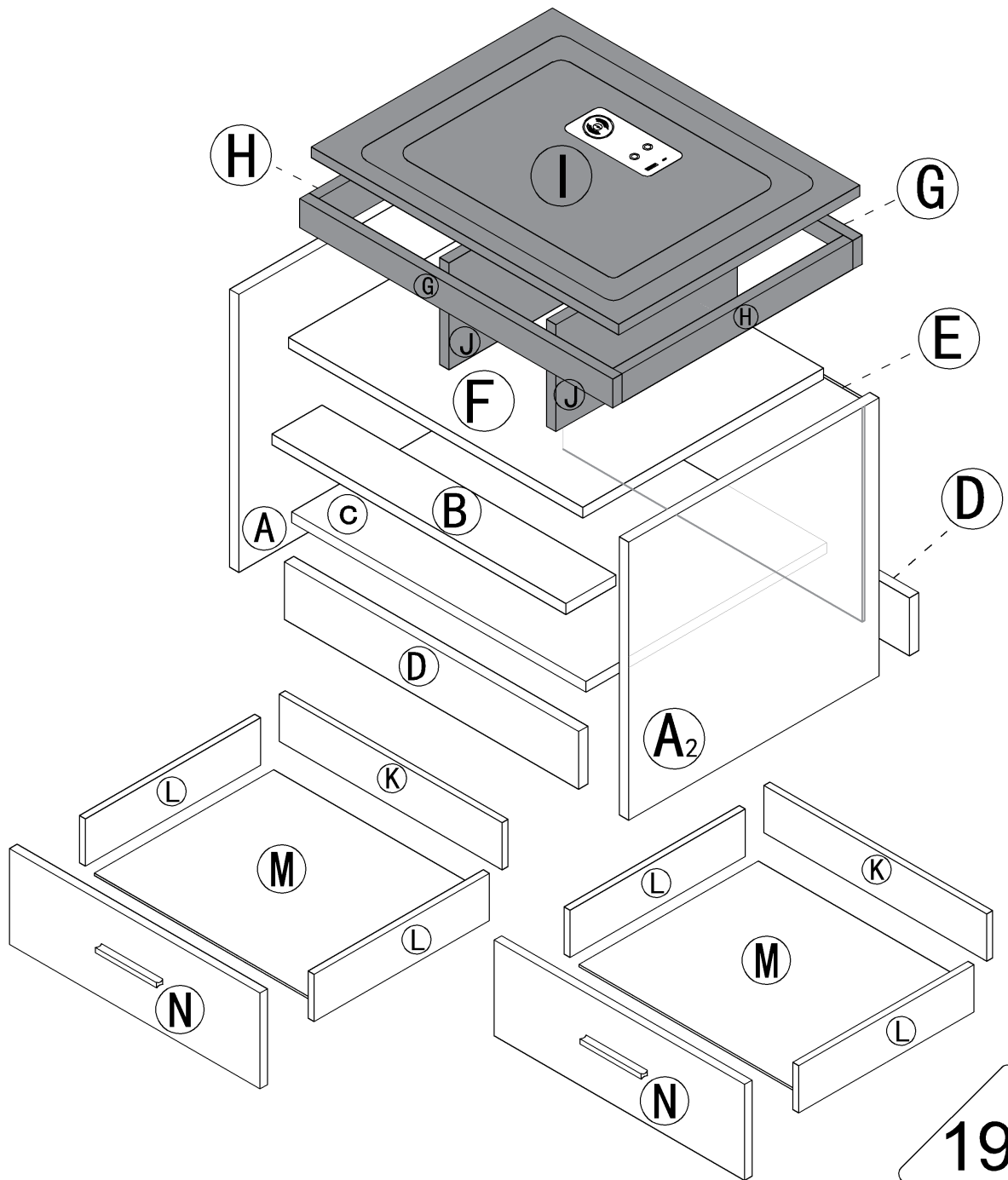


Step 21

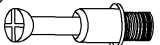

- ①  x4
- ③  x4

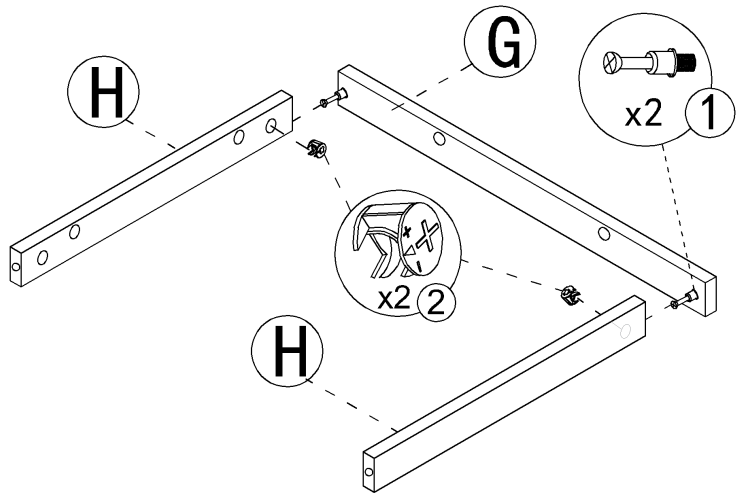


①		16pcs	③		4pcs	⑥		4pcs
②		20pcs			1pcs			

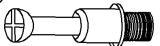



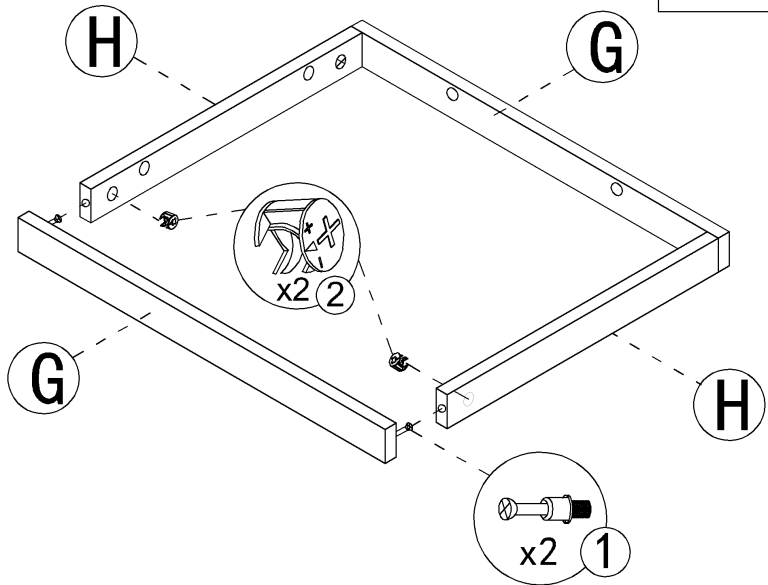
Step 22

- ①  x2
- ②  x2

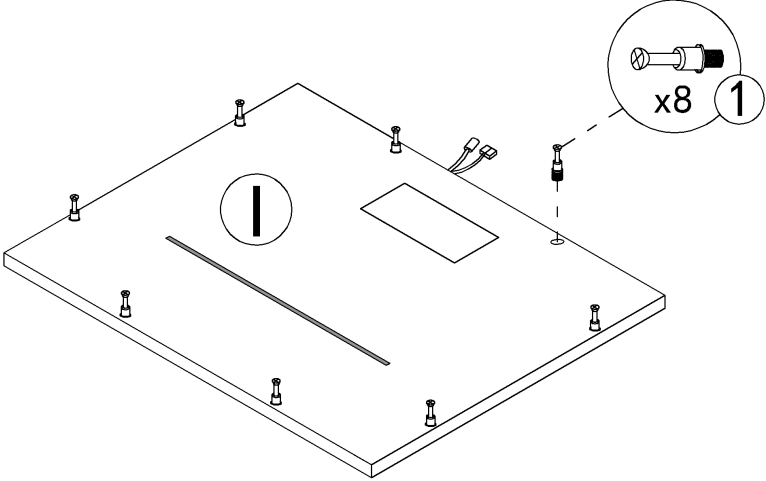
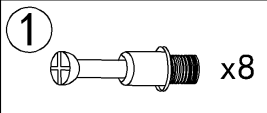


Step 23

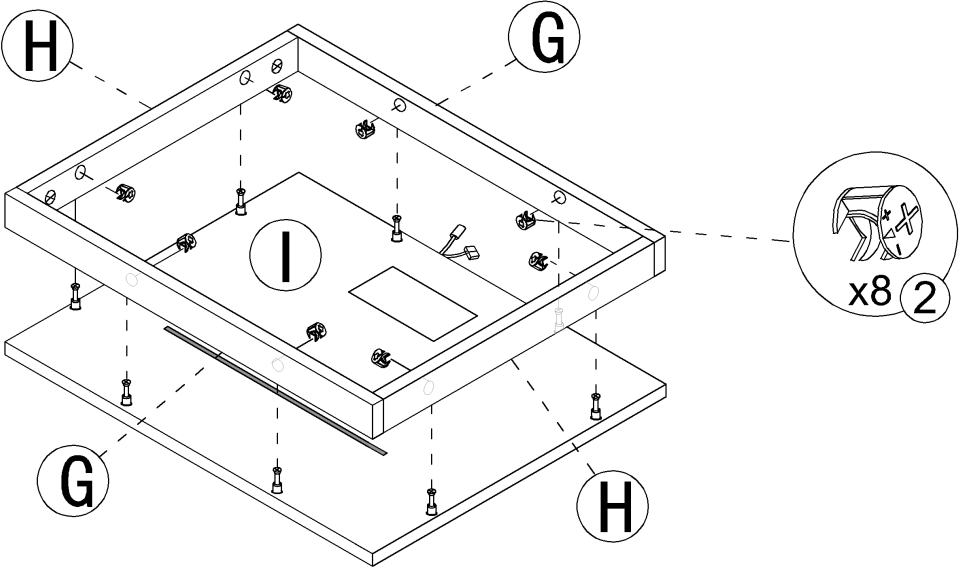
- ①  x2
- ②  x2



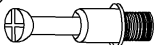
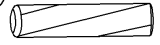
Step 24

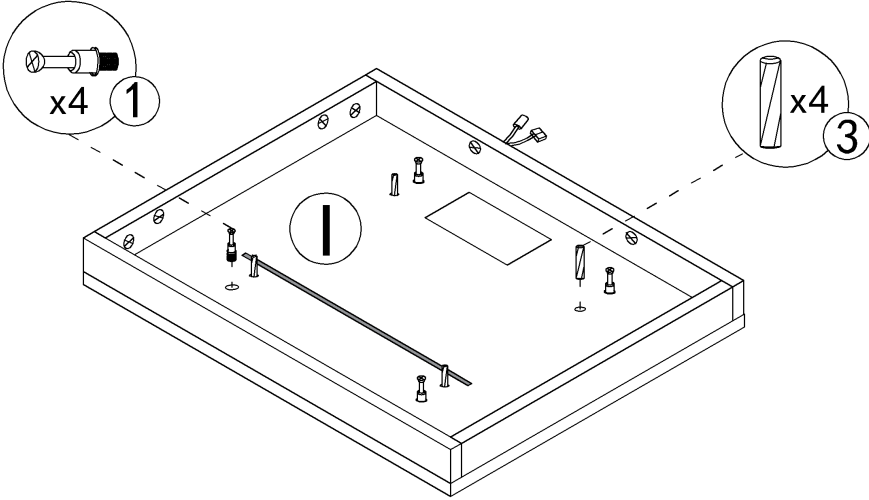


Step 25



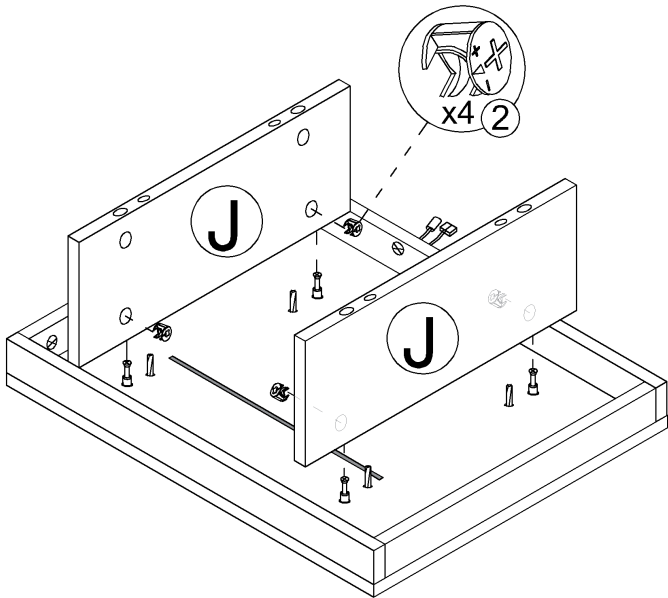
Step 26

- ①  x4
- ③  x4



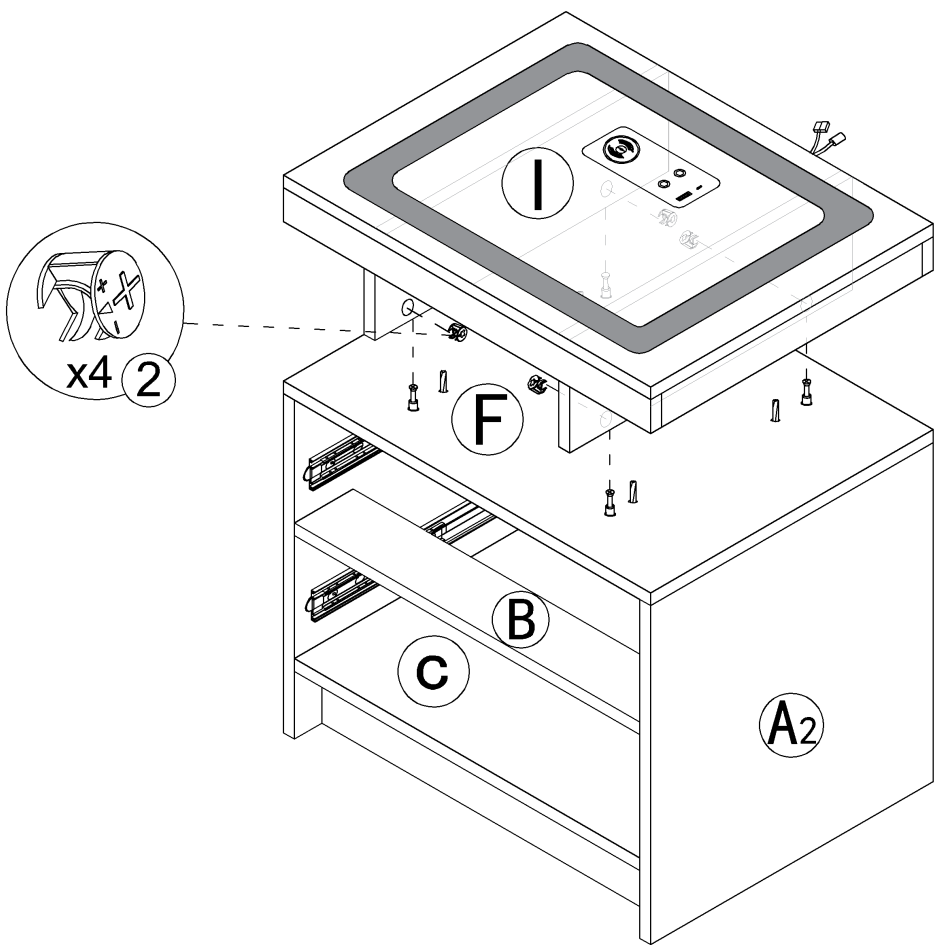
Step 27

- ②  x4

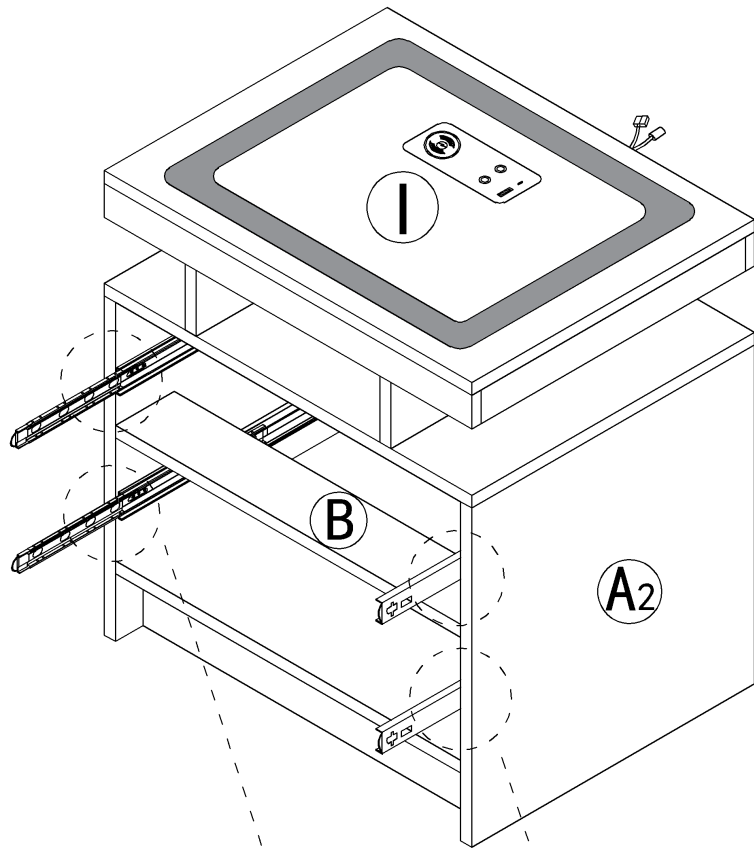


Step 28

2  x4

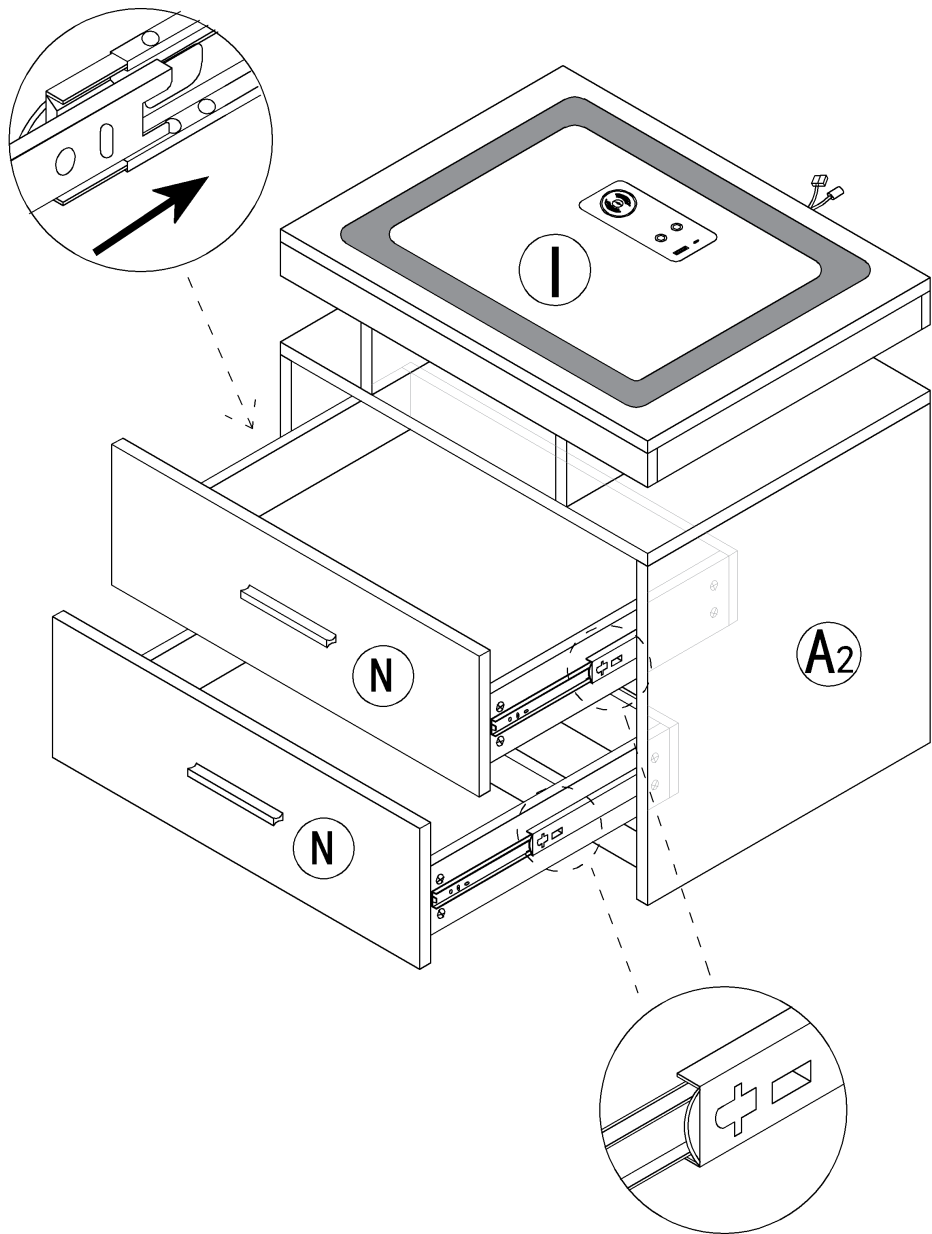


Step 29

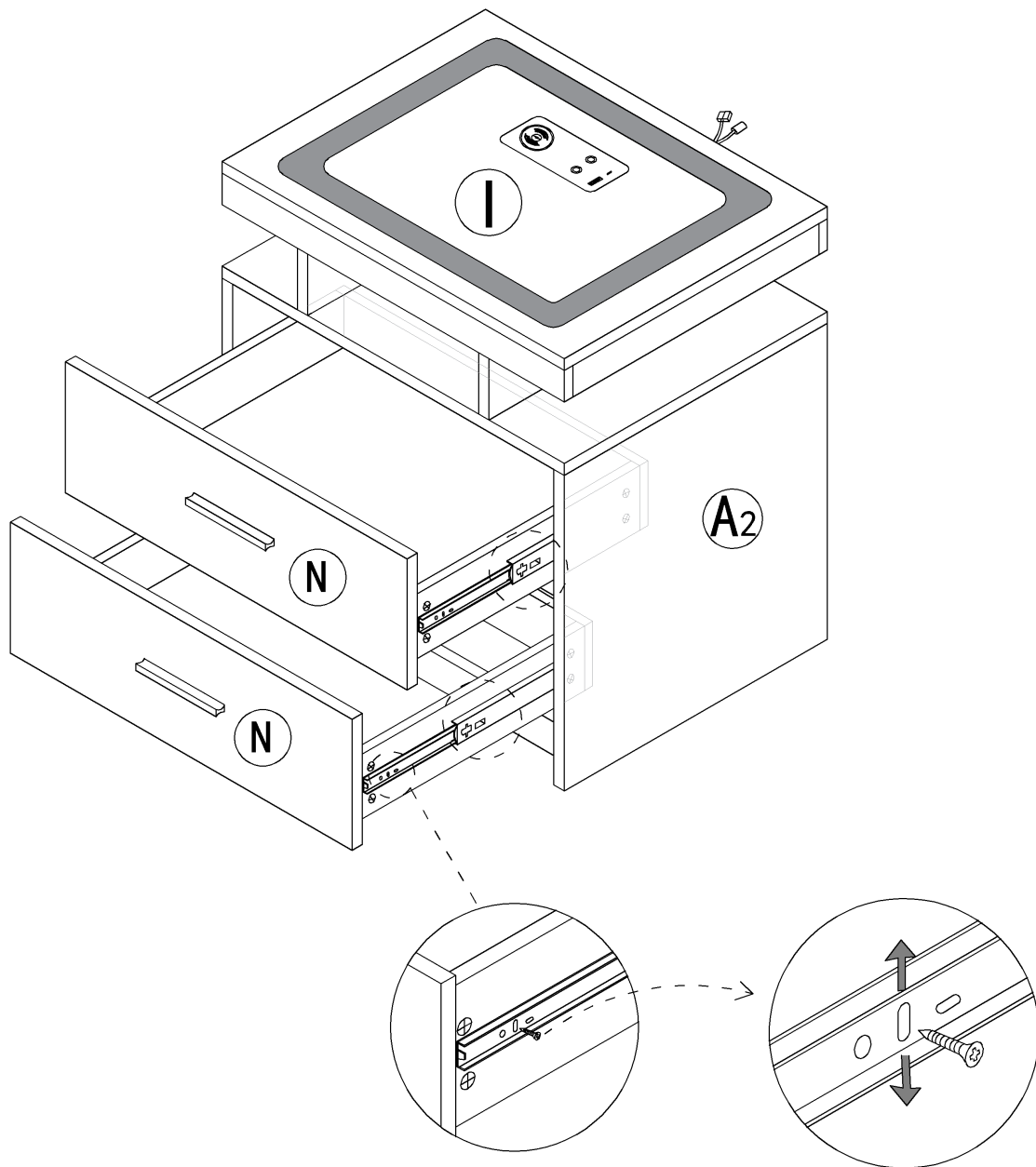


As shown, When installing the drawer,
pull the guide rail out first, Slide beads are also pulled out.

Step 30

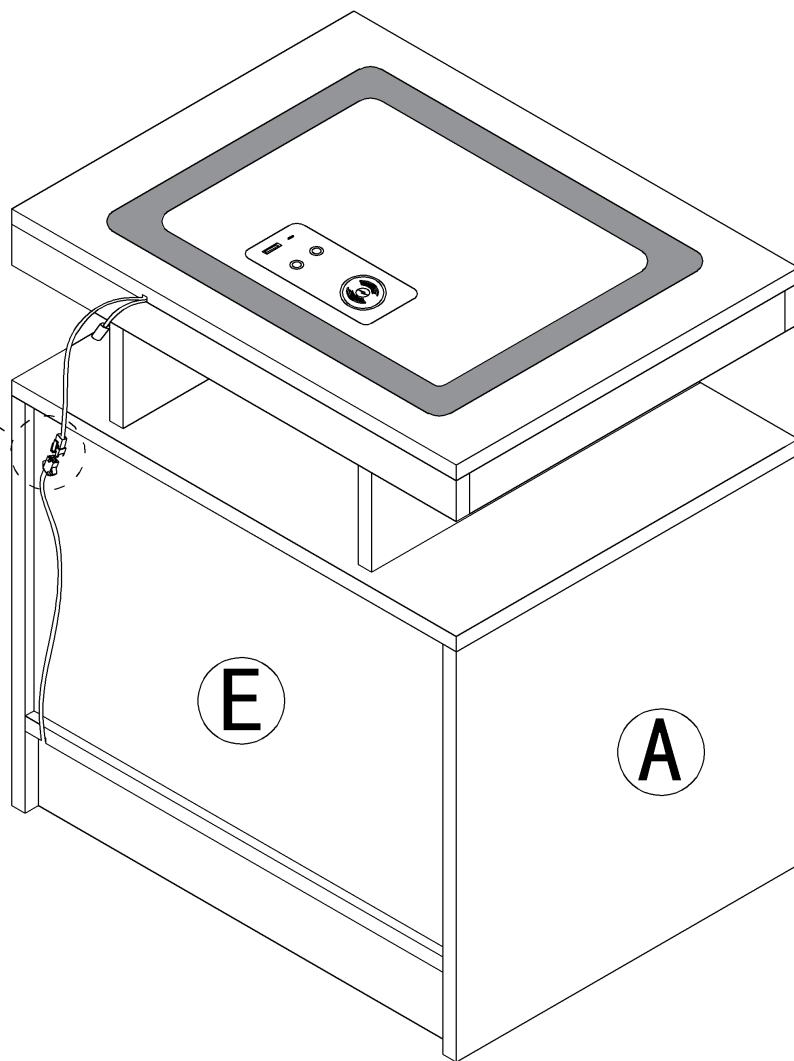
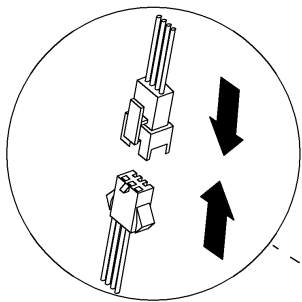


Step 31

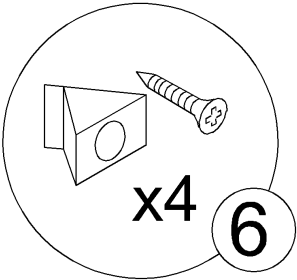
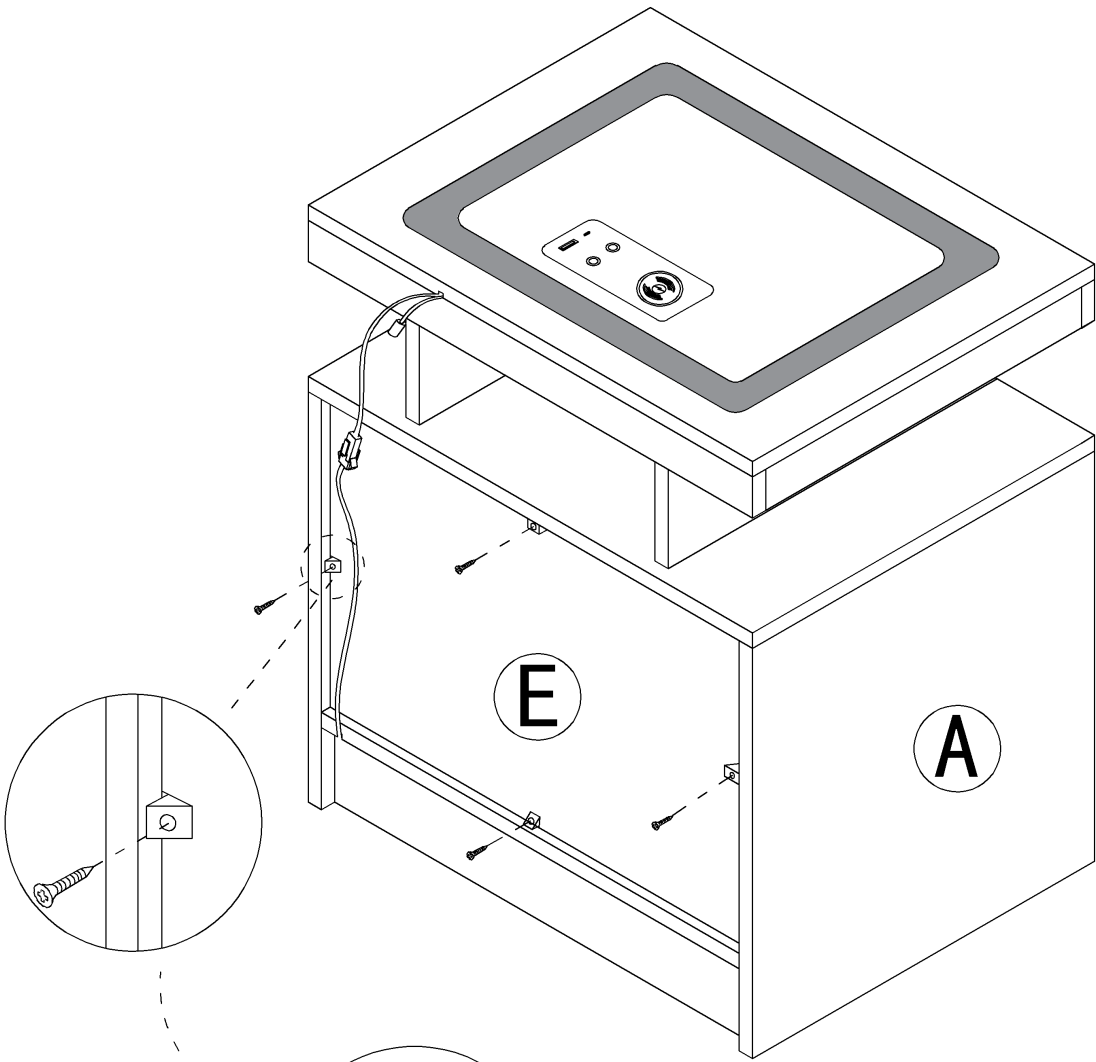
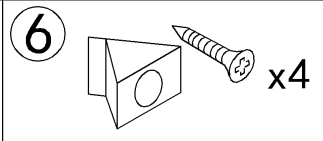


If a large gap is found after installing the drawer the slide rail can be moved up and down to adjust the gap

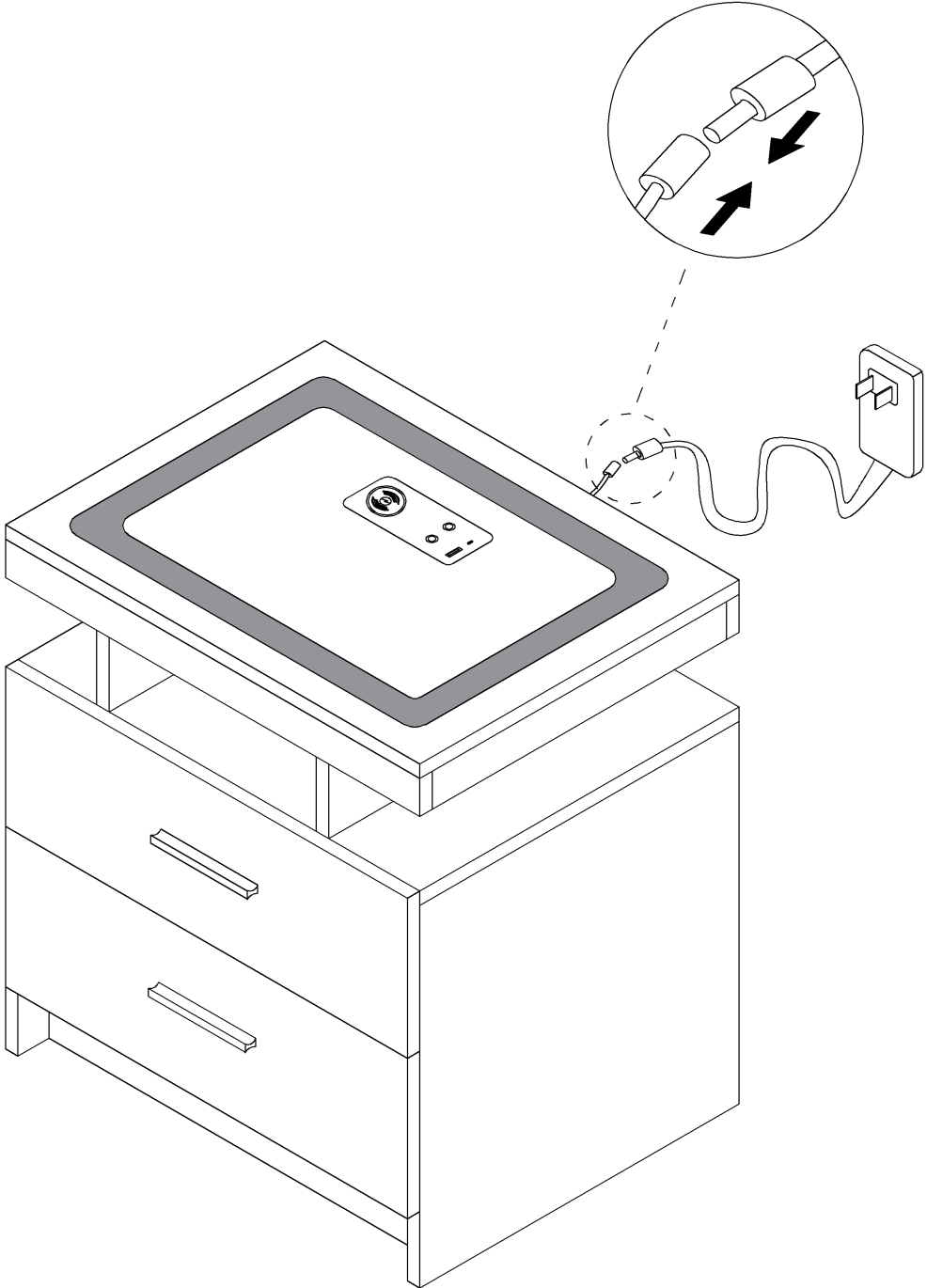
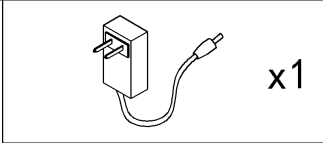
Step 32



Step 33



Step 34





User's Guide

Thank you for purchasing this product.

To use this product, please plug it into a 12V DC power supply.

Please use if the product works normally after connecting to power.

Introduction

The box is an intelligent controller. It has 1 USB port and 1 type-C port and can distribute the current output up to 5V DC-2A. With 2 touch buttons, it can turn ON/OFF the light, change light colors, and adjust the light luminance.

Operation



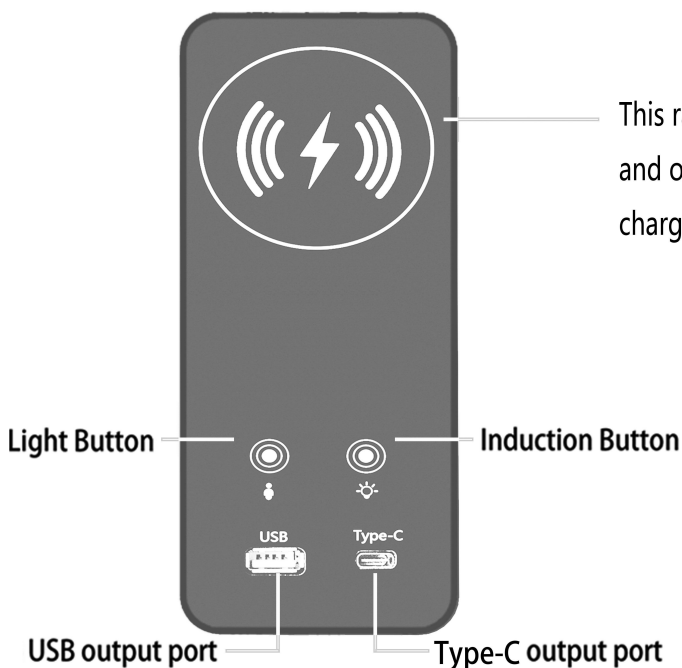
This touch button is used to turn on/off, change colors, and adjust brightness.

- A. Short touch -> lighting on -> short touch -> change light color -> short touch -> change light color -> short touch -> lighting off.
- B. Long touch -> adjust the luminance.



This touch button is used to turn on/off the induction function.

- A. Short touch to turn on the induction function. It can auto-turn on the light when people are close to the controller in 1 meters. It can auto power off the light when the body is far away from the controller after 30 seconds.
- B. Long touch to turn off the induction function.
- C. Note: When you touch the light button to change the light modes, the induction function will automatically turn off. It is best to turn on this function after selecting the light color and adjusting the brightness you want.



ATTENTION PLEASE

1. If there is no touch response suddenly, Re-plug the power to reset the touch static electricity.
2. If bubbles appear on the panel, remove the protective film.
3. If you have any questions when installing, please feel free to contact us. Thank you.