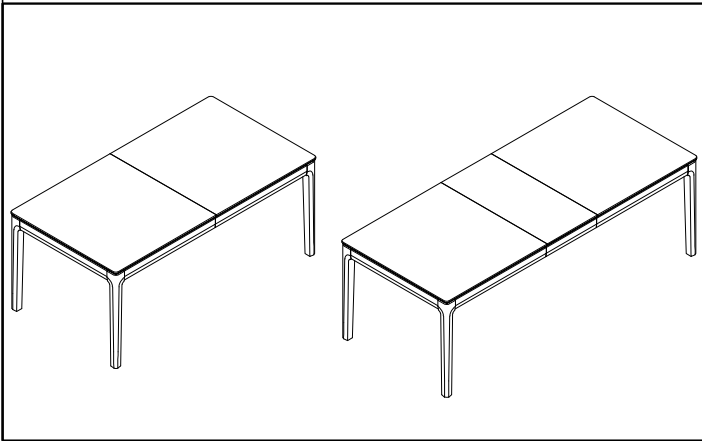
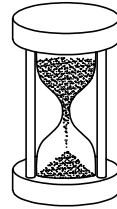


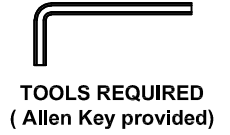
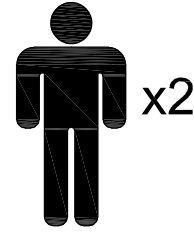
3859-90 / 3859OAK-90 COVE 90" SELF STORAGE EXTENDABLE RECTANGULAR DINING TABLE

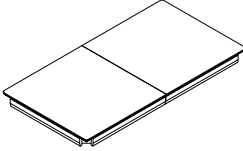

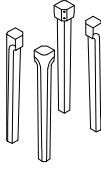

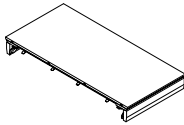




ASSEMBLY INSTRUCTIONS



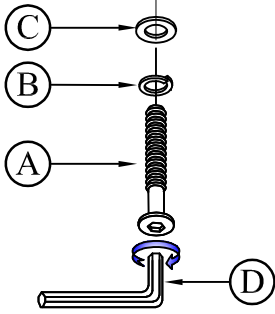
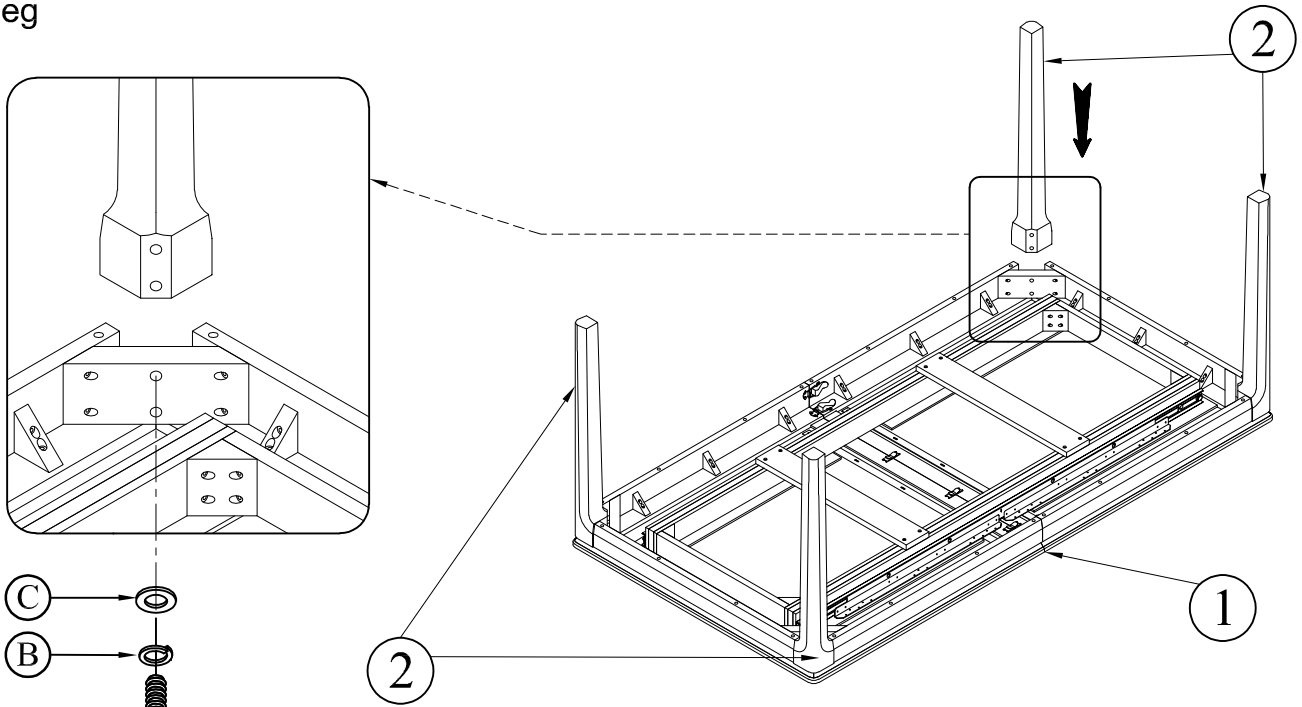
15 MIN







CARTON	ITEM	PART		HARDWARE	
1	3859-90 / 3859OAK-90	①	TOP x 1 PC 	Ⓐ	M8 x 60 mm: 8 pcs 
		②	LEGS x 4 PCS 	Ⓑ	∅8 x ∅13 x 1.2: 8 pcs 
		③	EXTENSION LEAF x 1 PC 	Ⓒ	∅8 x ∅19 x 2: 8 pcs 
				Ⓓ	4mm x 50: 1 pc Allen key 

STEP 1

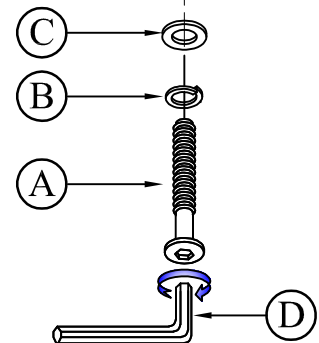
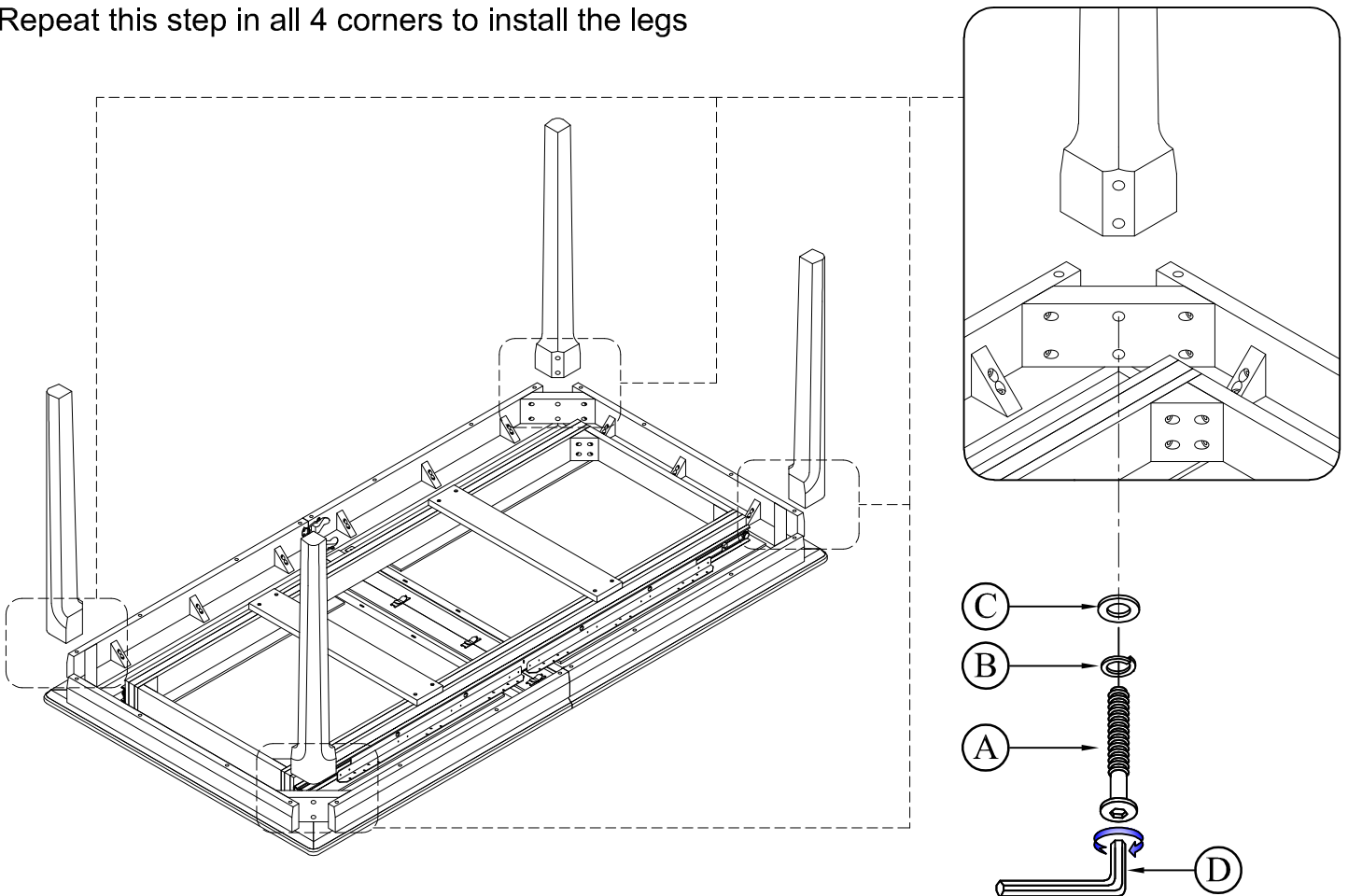
Center legs at the corner and align with pre-drilled holes. Secure and tighten screws to attach the leg



A 	B 	C 	D 
M8 x 60 mm : 8 pcs	Ø8 x Ø13 x 1.2 : 8 pcs	Ø8 x Ø19 x 2 : 8 pcs	4mm x 50 : 1 pc

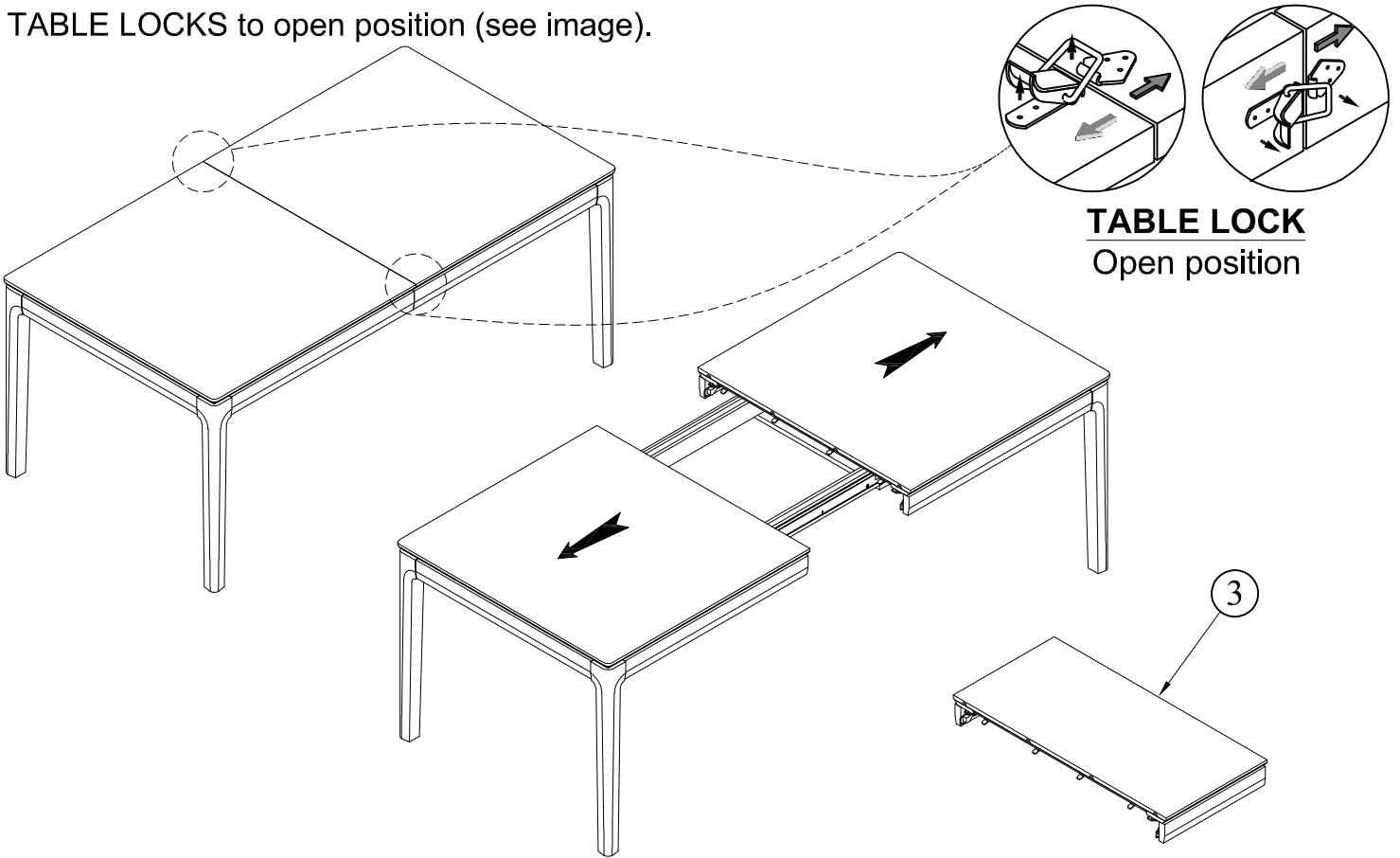
STEP 2

Repeat this step in all 4 corners to install the legs



STEP 3

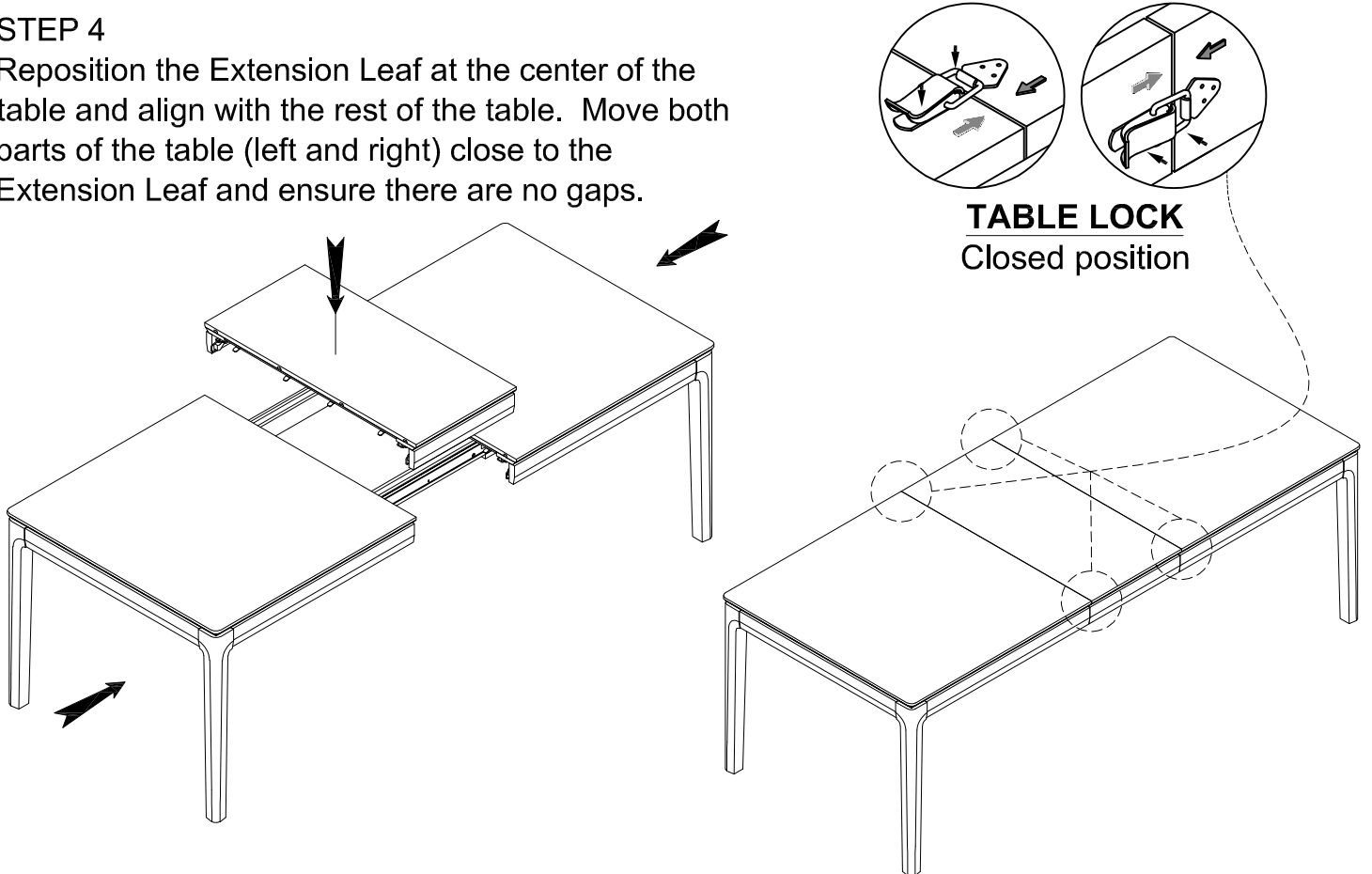
Carefully reposition the Table Upright and move **TABLE LOCKS** to open position (see image).



Open the table to insert Extension Leaf (Part 3)

STEP 4

Reposition the Extension Leaf at the center of the table and align with the rest of the table. Move both parts of the table (left and right) close to the Extension Leaf and ensure there are no gaps.



Move **TABLE LOCKS** to the Closed Position (see image), to secure all parts of the table top.

ASSEMBLY COMPLETED

