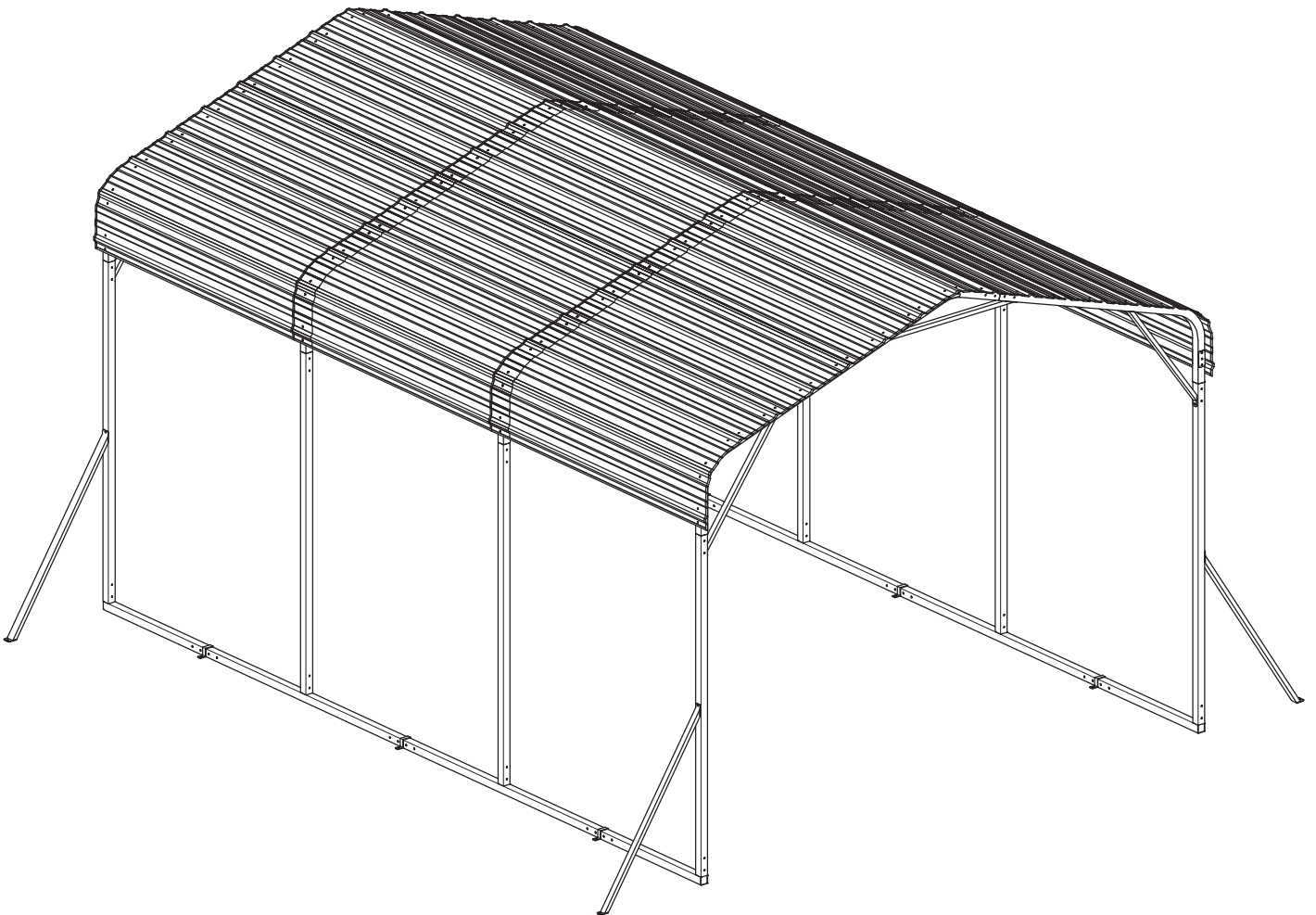


1015 Metal Carport

If you have any questions about the Metal Carport, please feel free to contact us.
Customer Service Email: Service@alaulm.com



SKU:P25106-D1

IMPORTANT

PLEASE READ BEFORE YOU COMMENCE ASSEMBLY

Follow the guidelines in this user guide to ensure correct
assembly and care for this product.






Catalog

Notice	3
Specifications	5
Exploded View	7
Part List	9
Screw Set	10
Extra	10
Installation Steps	11

NOTICE



Note:Please prepare below tools before installation.

The following tools are not included and needed for assembly:		
		
Pistol Drill	Tape Measure	Ladder
Package included Tools		
		
Screw Driver	Gloves x4 pair	

Warning

We recommend two adults to complete the installation. Two adults installed together will make the installation process easier and safer.

The gloves must be carried to prevent hand cuts during installation.

Take care when using power tools near water the use of a residual current device (RCD) is advised.

Please use the electric driver carefully during screwing to prevent the screw from slipping and hurting your hand.(We recommend that beginners use a manual screwdriver for installation.)

Be careful not to fall when installing the roof. Please steady the ladder and make sure the product placed on a flat ground.

PLEASE KEEP THIS INSTRUCTION FOR FUTURE REFERENCE.



PLEASE RETAIN THESE INSTRUCTIONS FOR FUTURE REFERENCE.

Dear Customer,

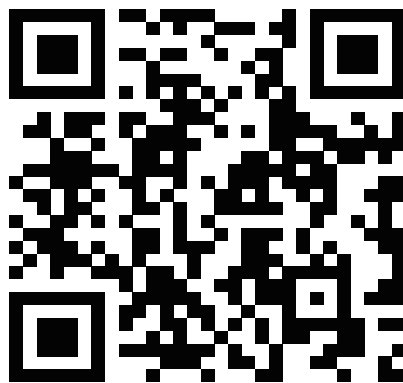
Thank you for shopping with us!

When you receive the product, please make sure that all the parts are intact. Then please browse the entire installation manual before assembling.

If any problem occurs unsatisfactorily as follows:

- A.The outer box is damaged
- B.The product is damaged / bent / cracked while you open the box
- C.The parts / accessories / assembly tools are missing
- D.The product is hard to assemble
- E. The instructions are not clear and can not be referred
- F.The product has functional problems
- G.Other aspects that you are not satisfied with

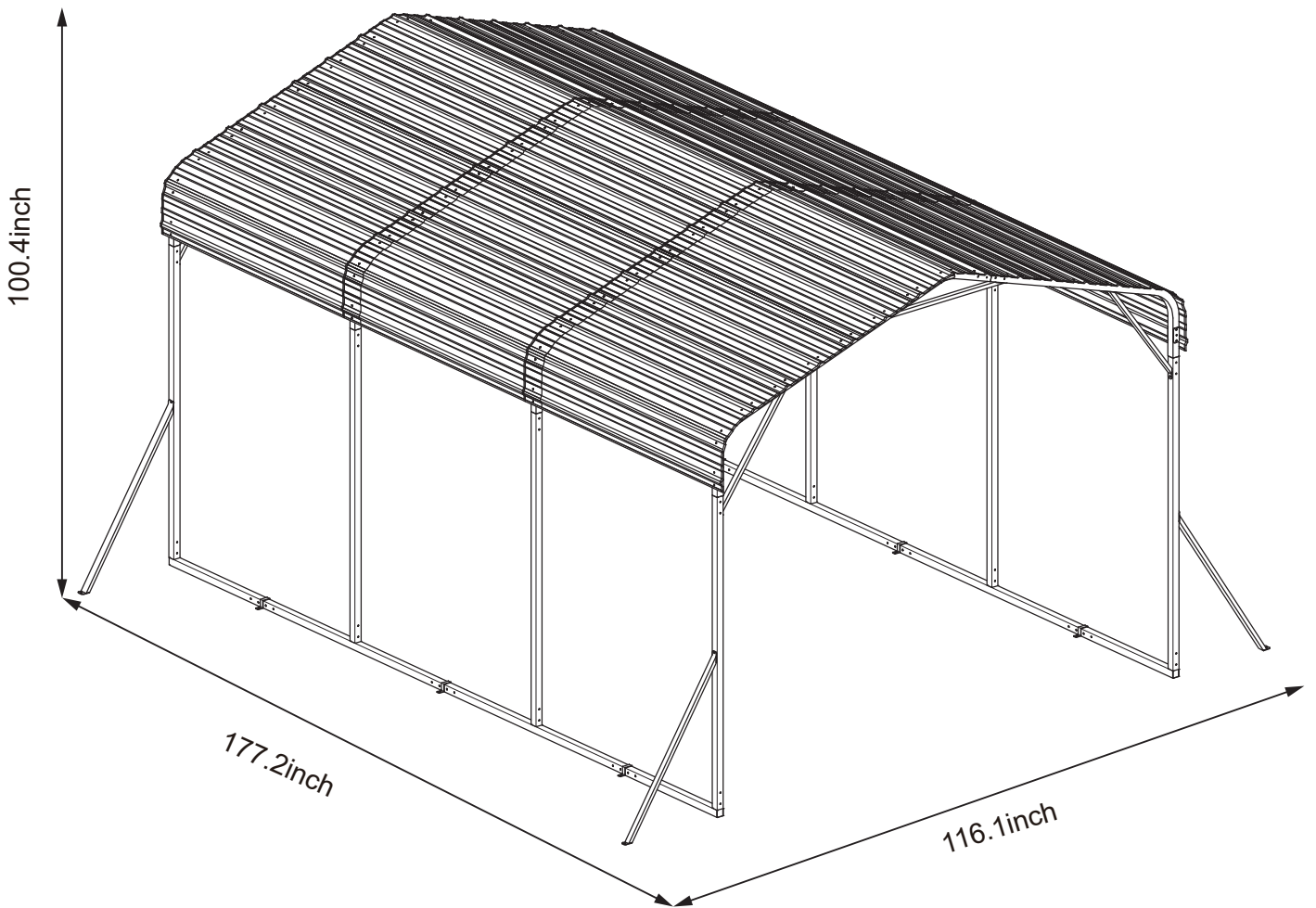
Please feel free to contact us for help. Our after-sales team service (**Service@alaulm.com**) will reply within 24 hours and will do our best to resolve the problem for you.



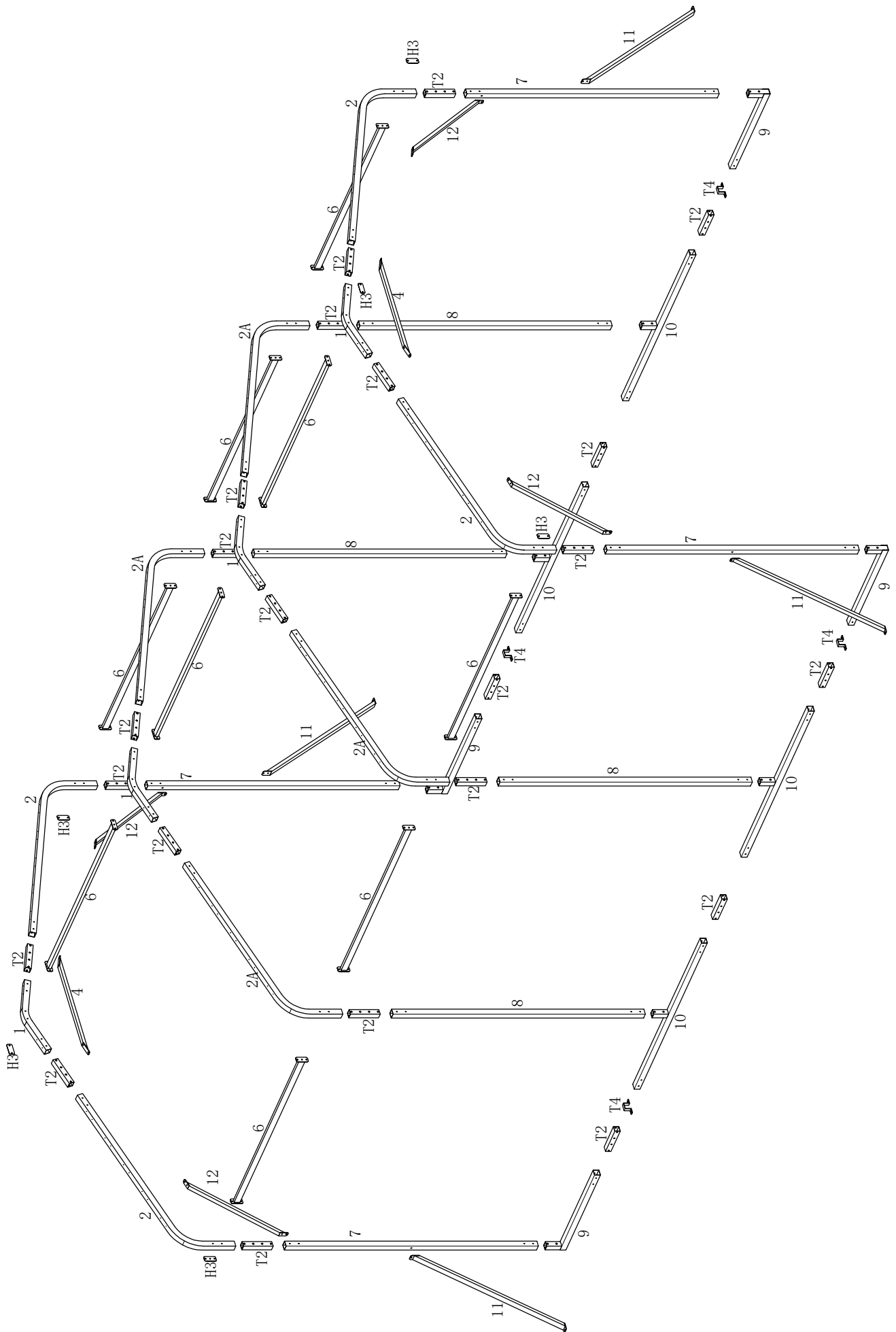
Attention:

- 1.Please fix all the screws first,do not lock them off,after assembling is fully completed, lock all at once finally.
- 2.Please check the manual carefully and make sure you have received all the parts.
- 3.If there is any missing,please let us know the letter of the parts you need.
- 4.If there is any damage,please send clear photos to us,and we will check and offer you best solution soon.

SPECIFICATIONS

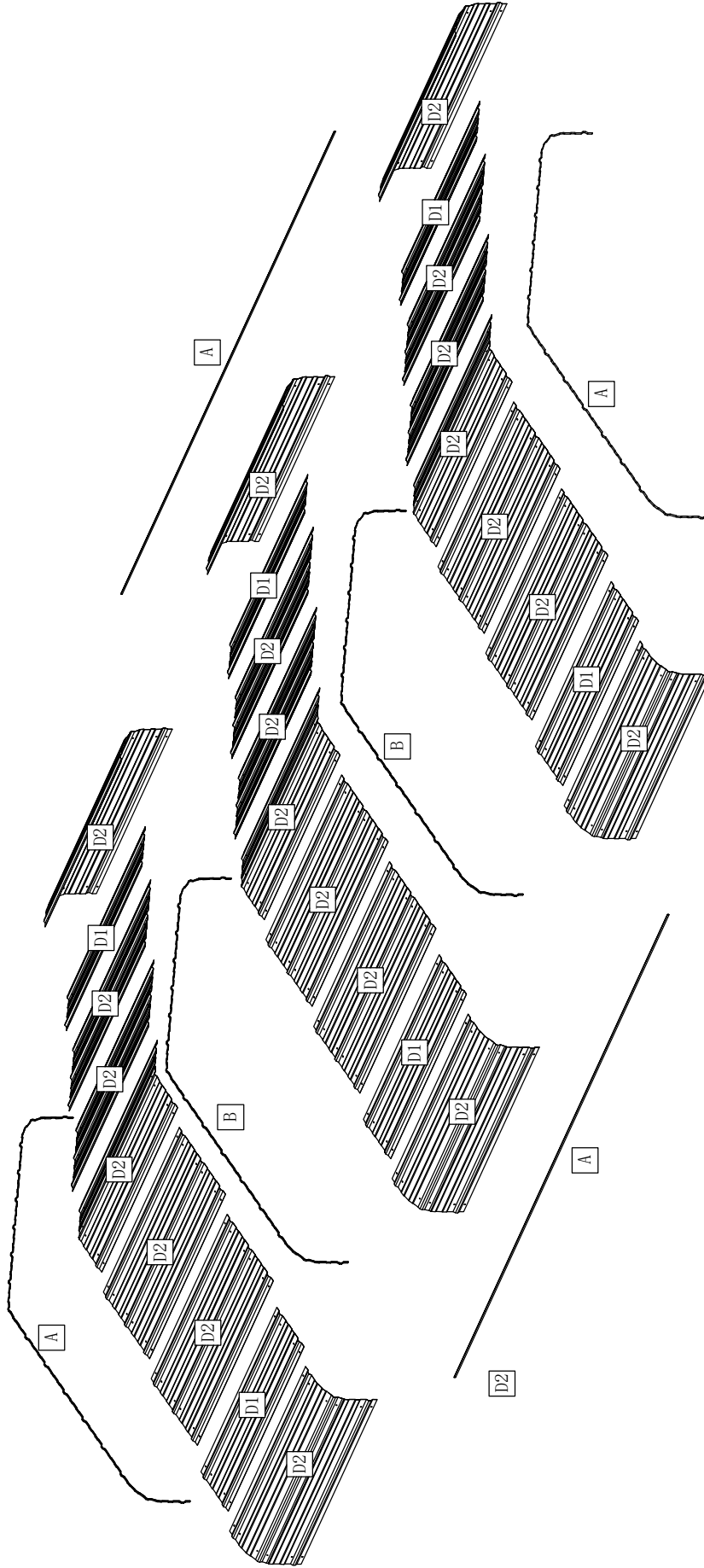


EXPLODED VIEW


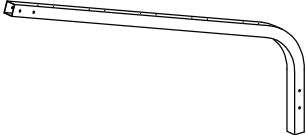
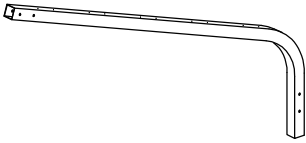
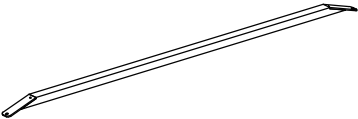
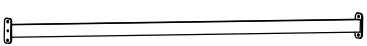
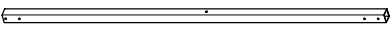




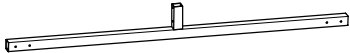


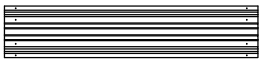
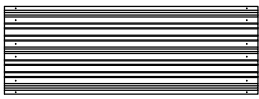


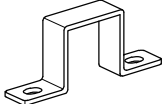
EXPLODED VIEW

D1x6 D2x21

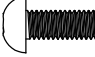
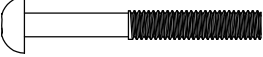
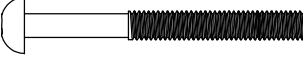
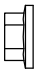
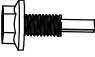








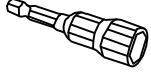
PART LIST

NO.	PART.	Qty.
1		4
2		4
2A		4
4		2
6		9
7		4
8		4
9		4

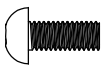
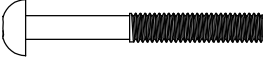
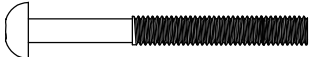
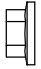
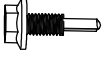
NO.	PART.	Qty.
10		4
11		4
12		4
D1		6
D2		21
H3		6
T2		22
T4		4

SCREW SET



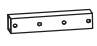
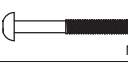

NO.	PART.	Qty.
L1	 M6*15	16
L2	 M6*50	88
L3	 M6*55	24
L4	 M6*6	112
L5	 4.2*19	136
L6	 M8	12
A		1

NO.	PART.	Qty.
B		2
F1		4
F2		2
F3		2
F5		2

EXTRA

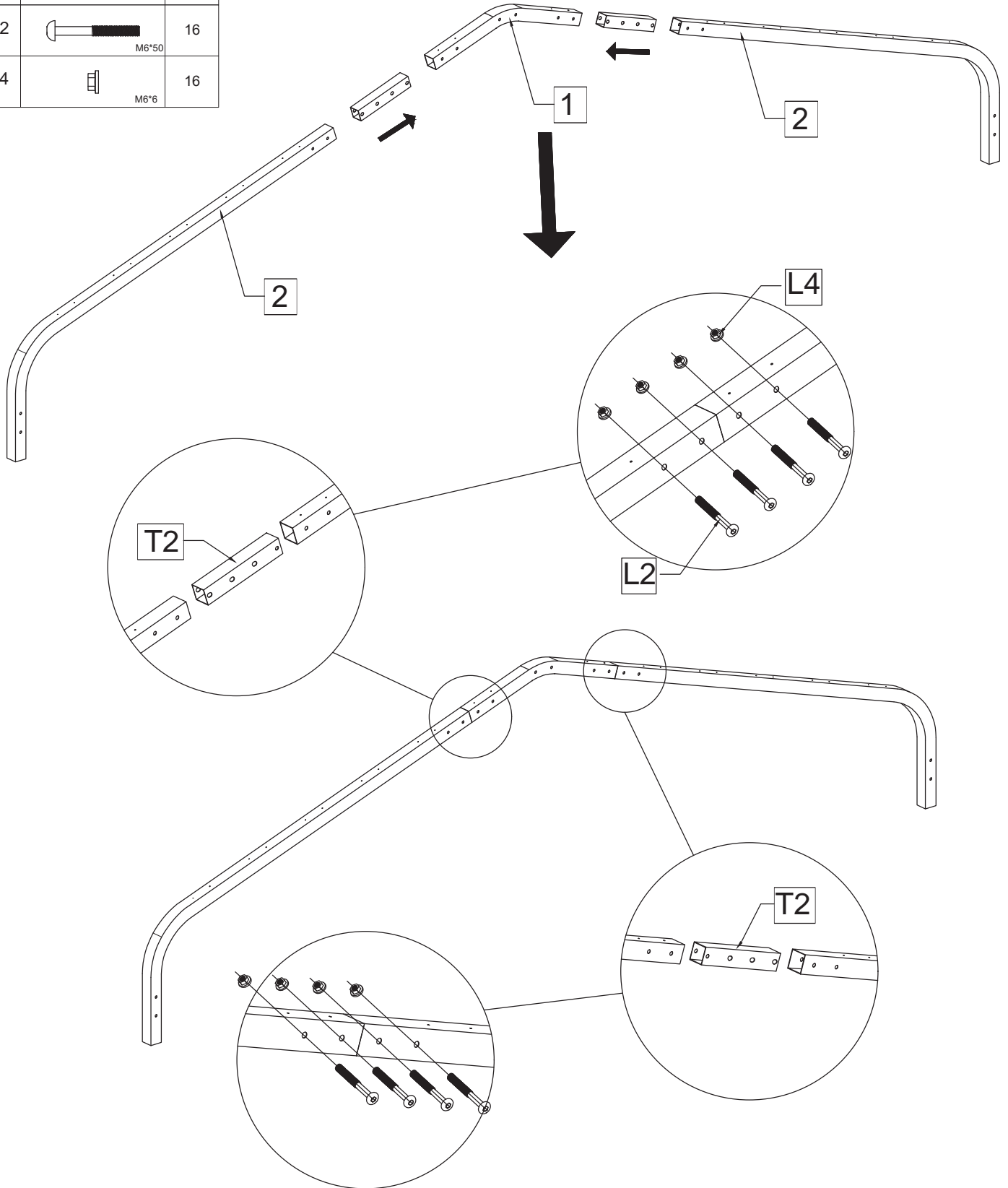
NO.	PART.	Qty.
L1	 M6*15	4
L2	 M6*50	5
L3	 M6*55	3
L4	 M6*6	8
L5	 4.2*19	9

INSTALLATION STEPS






NO.	PART.	Qty.
1		2
2		4
T2		4
L2	 M6*50	16
L4	 M6*6	16

Circular aperture of T2
faces towards 1.

X2

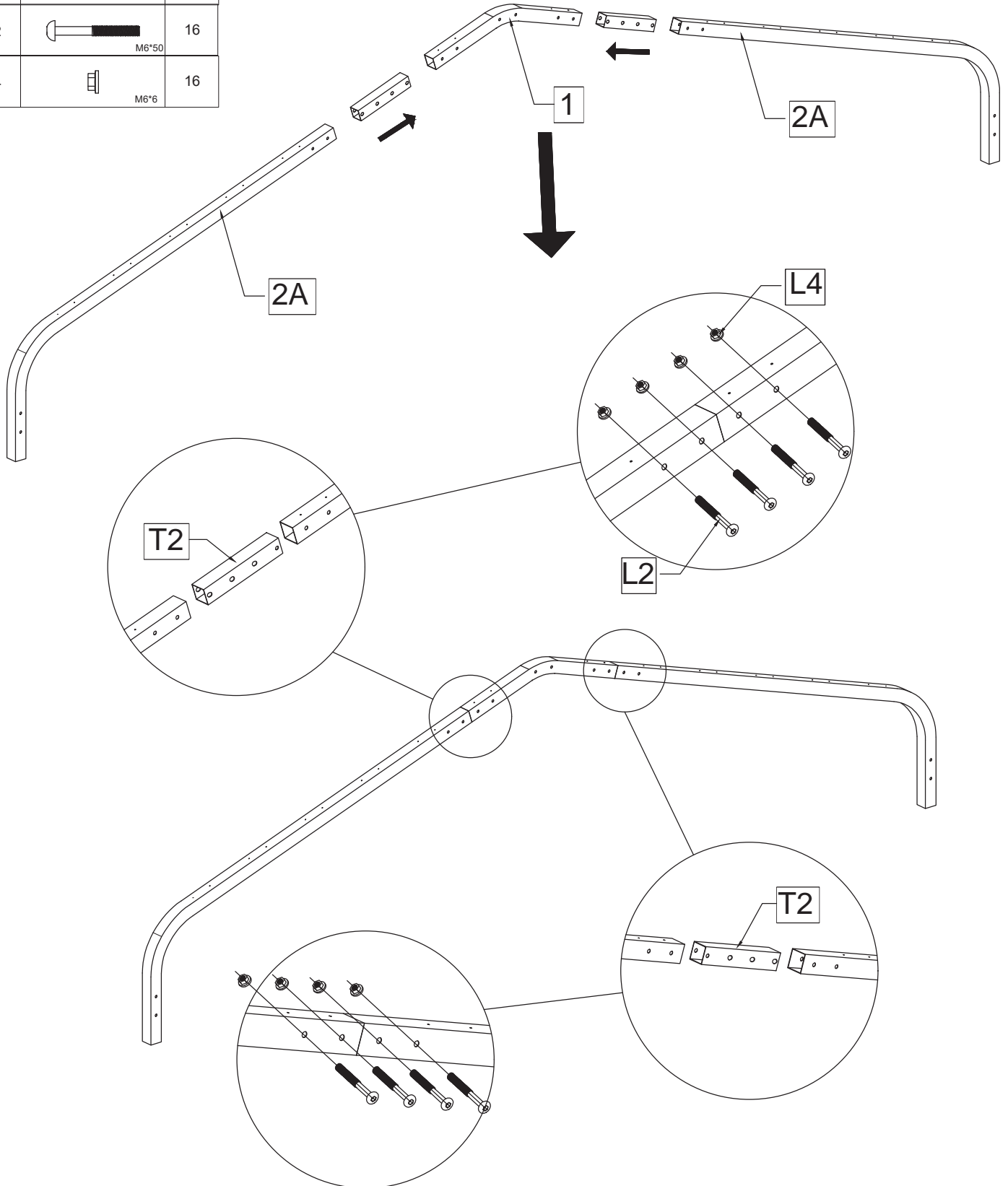


INSTALLATION STEPS



NO.	PART.	Qty.
1		2
2A		4
T2		4
L2	 M6*50	16
L4	 M6*6	16

Circular aperture of T2
faces towards 1.

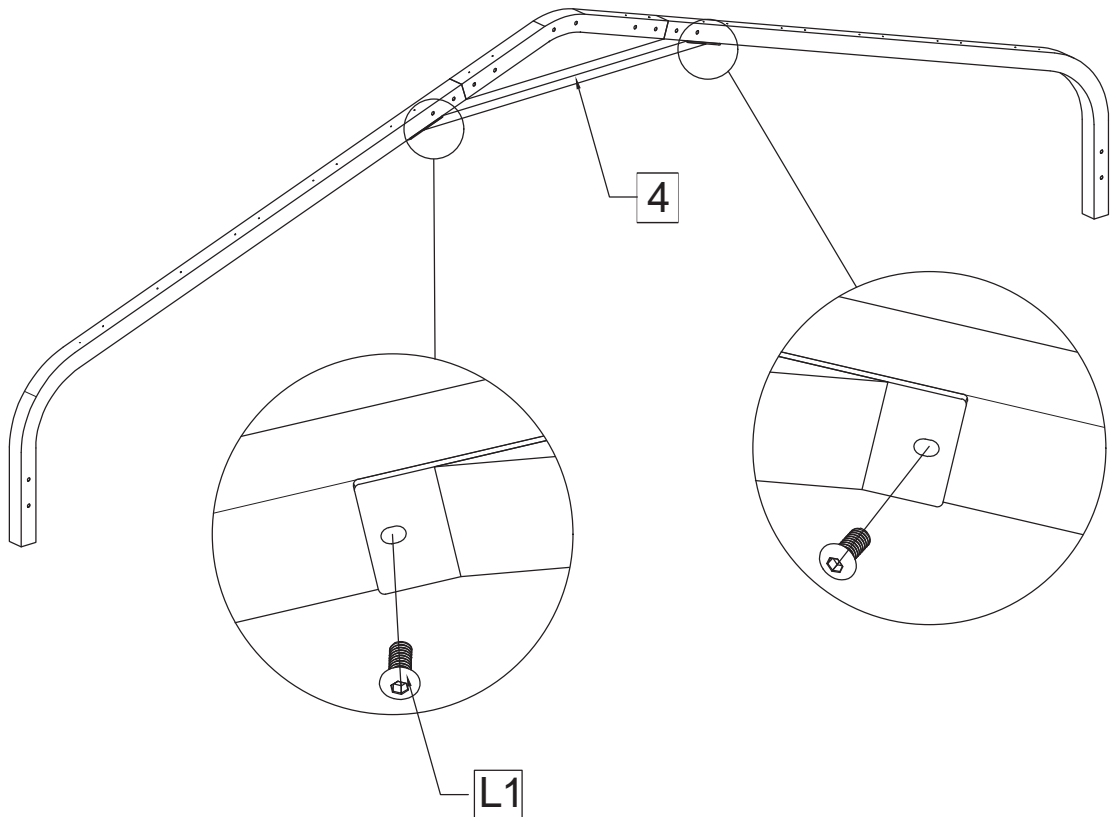
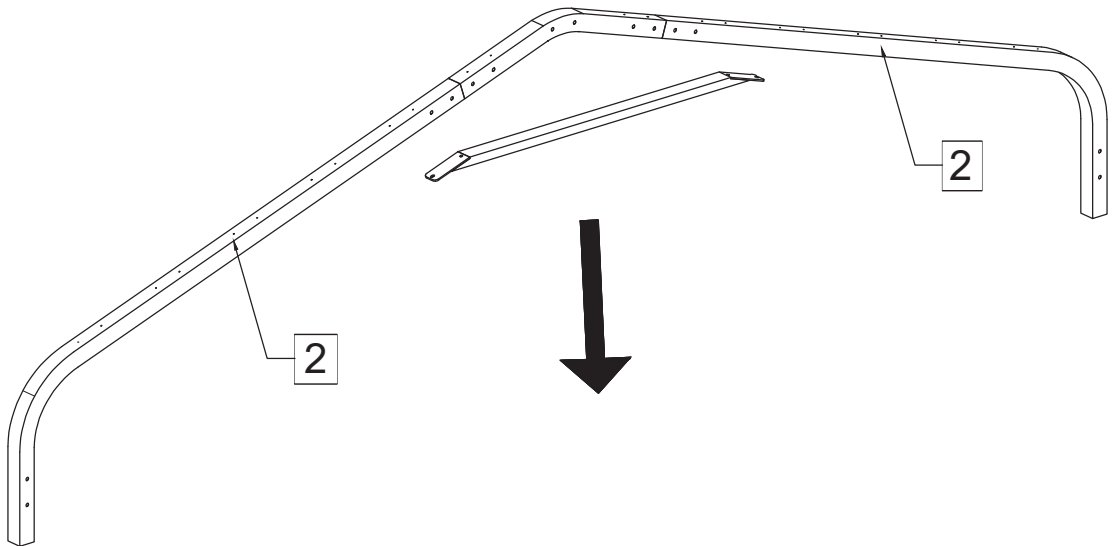
X2







INSTALLATION STEPS

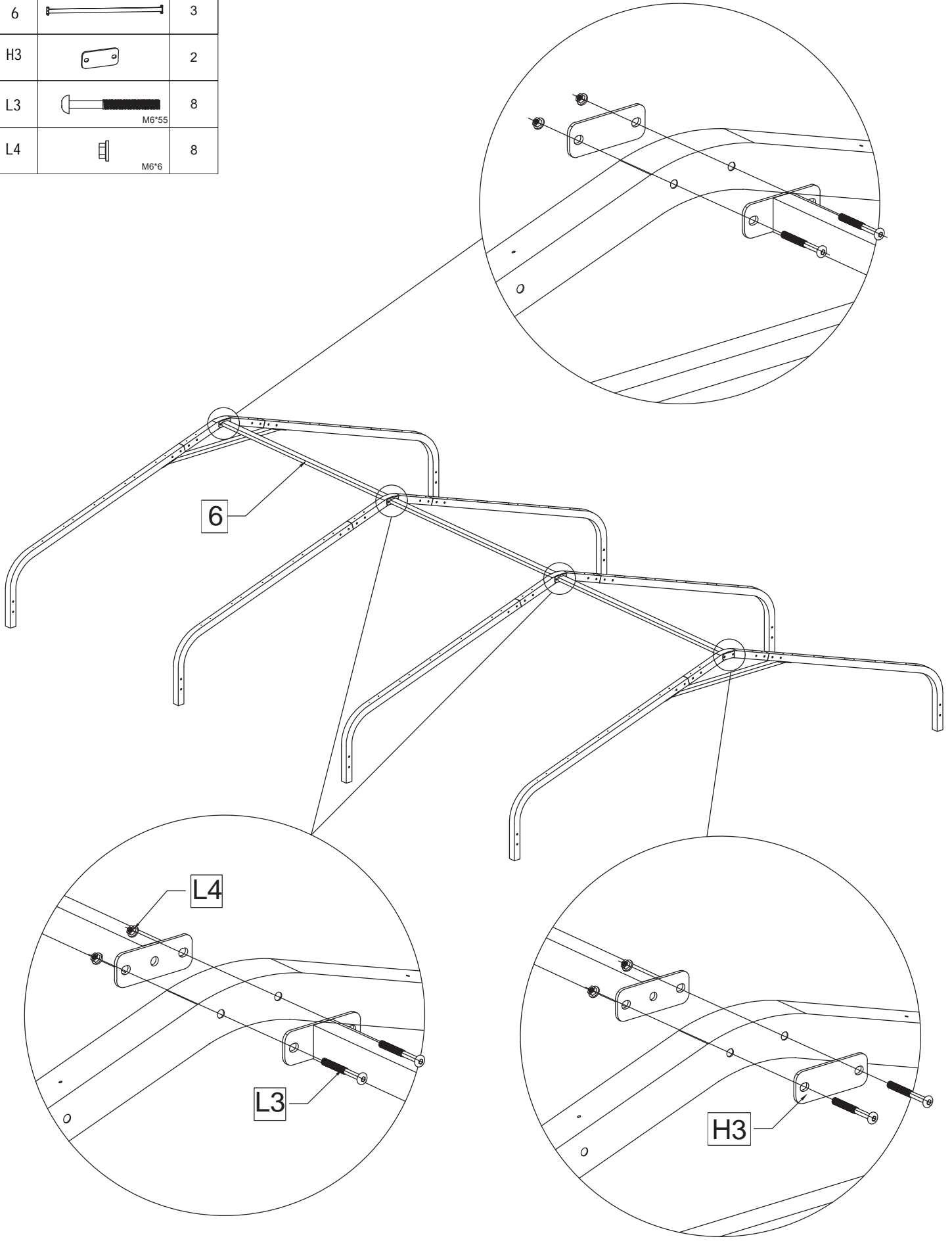
NO.	PART.	Qty.
4		2
L1	 M6*15	4

X2



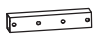




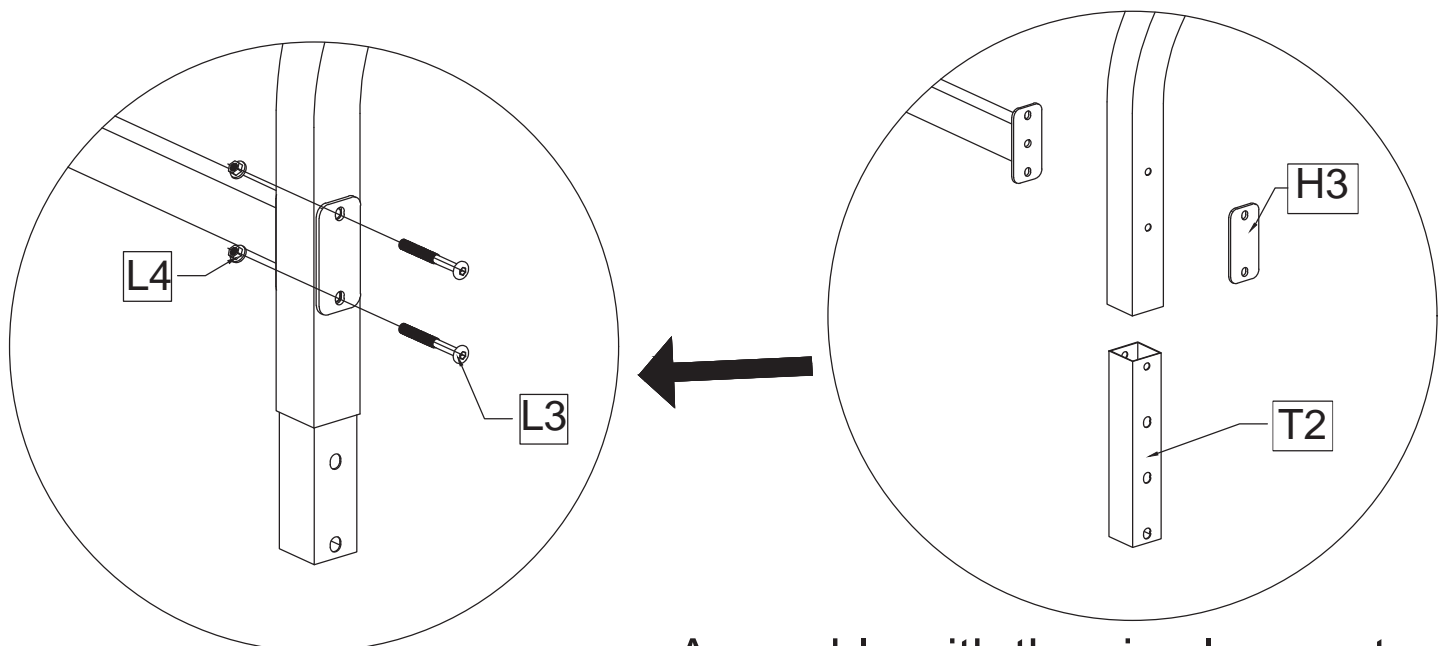
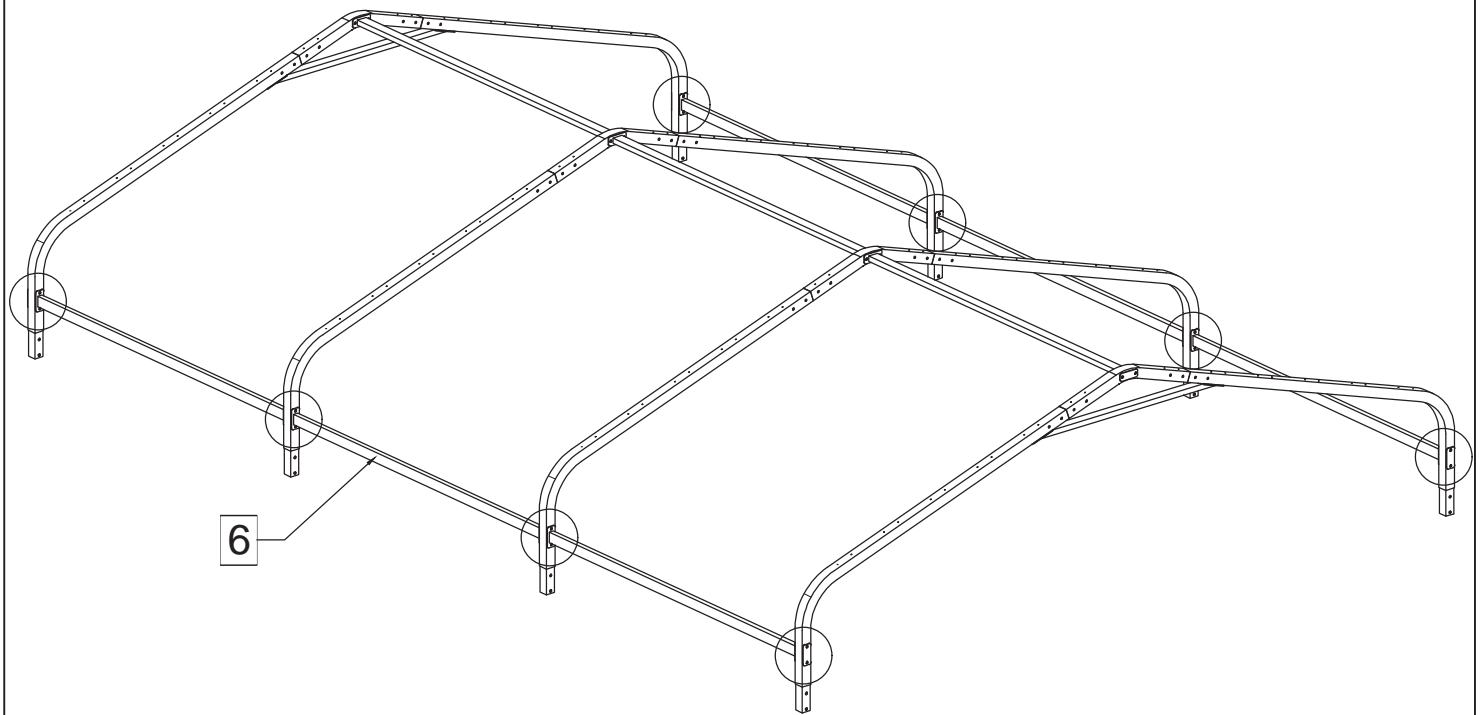
INSTALLATION STEPS

NO.	PART.	Qty.
6		3
H3		2
L3	 M6*55	8
L4	 M6*6	8



INSTALLATION STEPS








NO.	PART.	Qty.
6		6
H3		4
T2		8
L3	 M6*55	16
L4	 M6*6	16

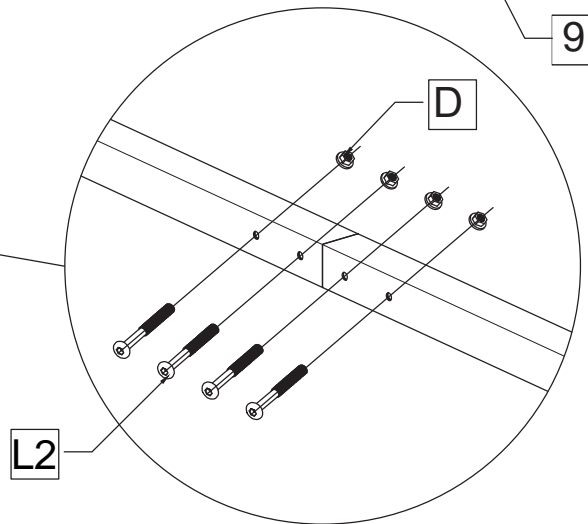
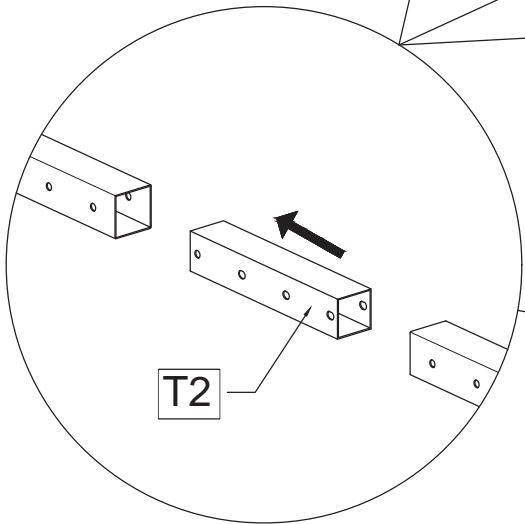
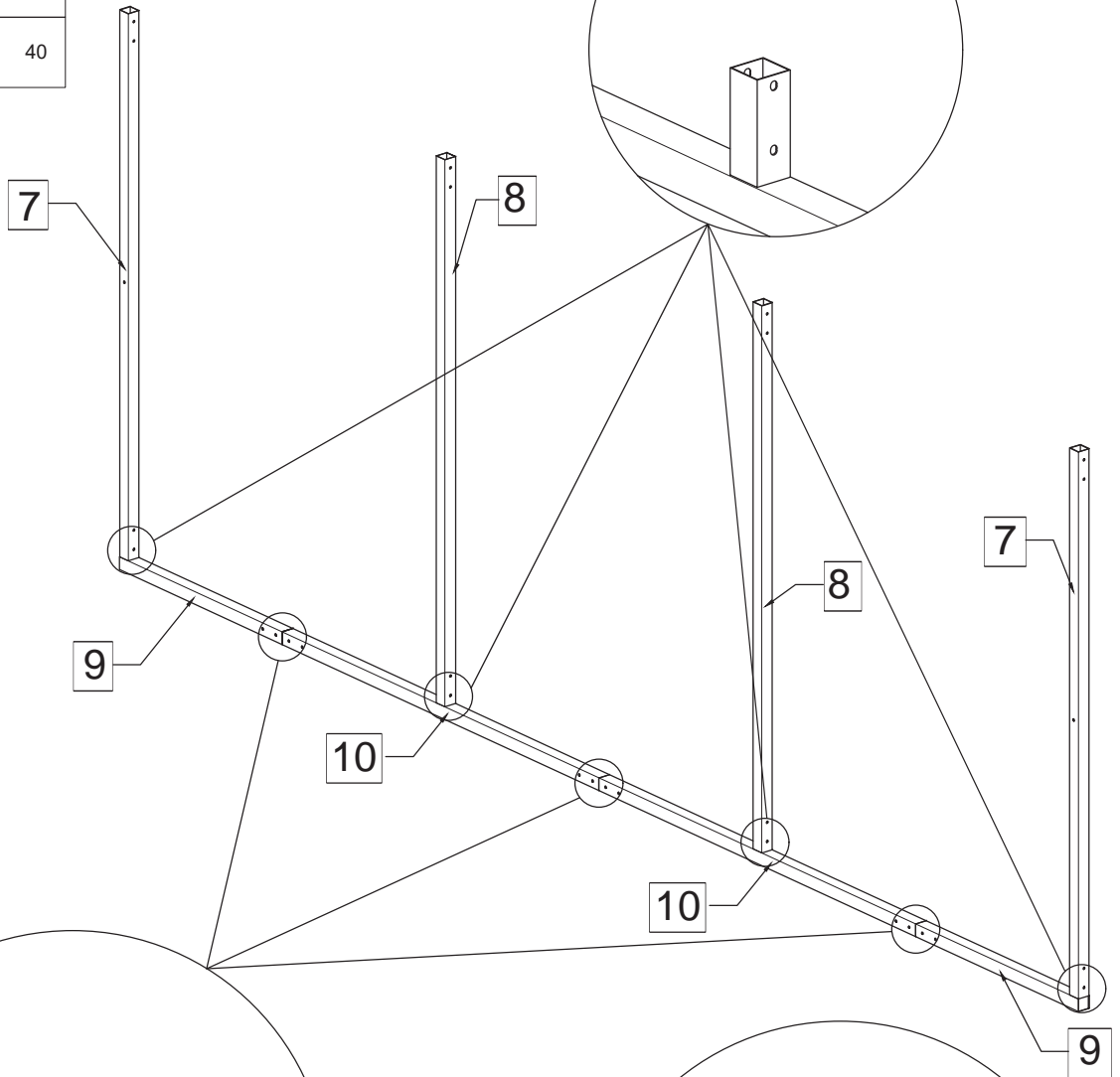
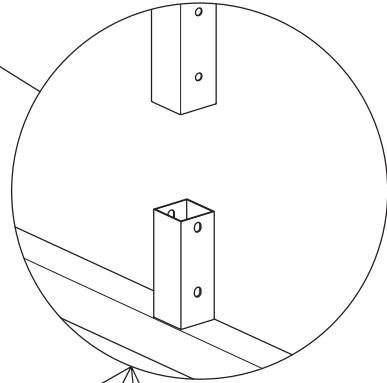
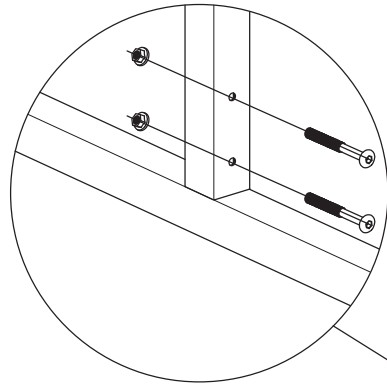


Assemble with the circular aperture of T2 facing upwards.

INSTALLATION STEPS



X2

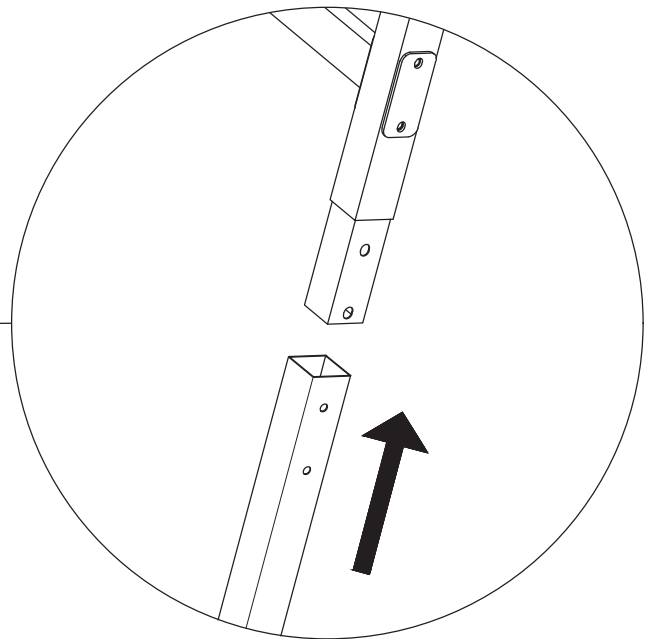
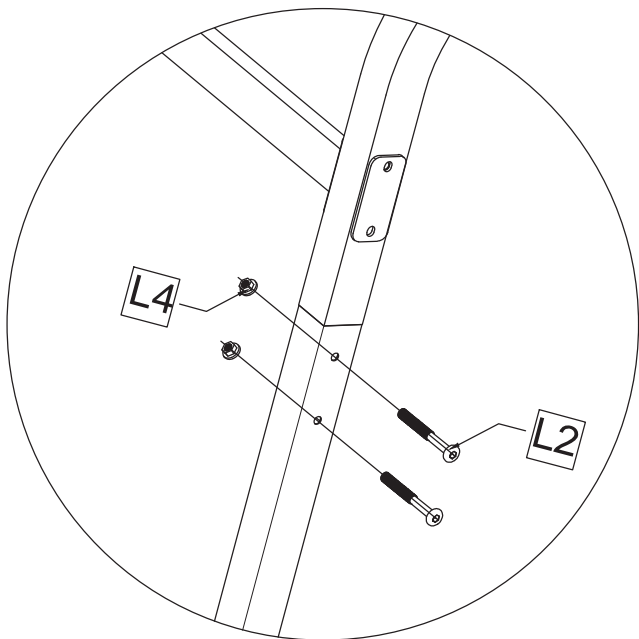
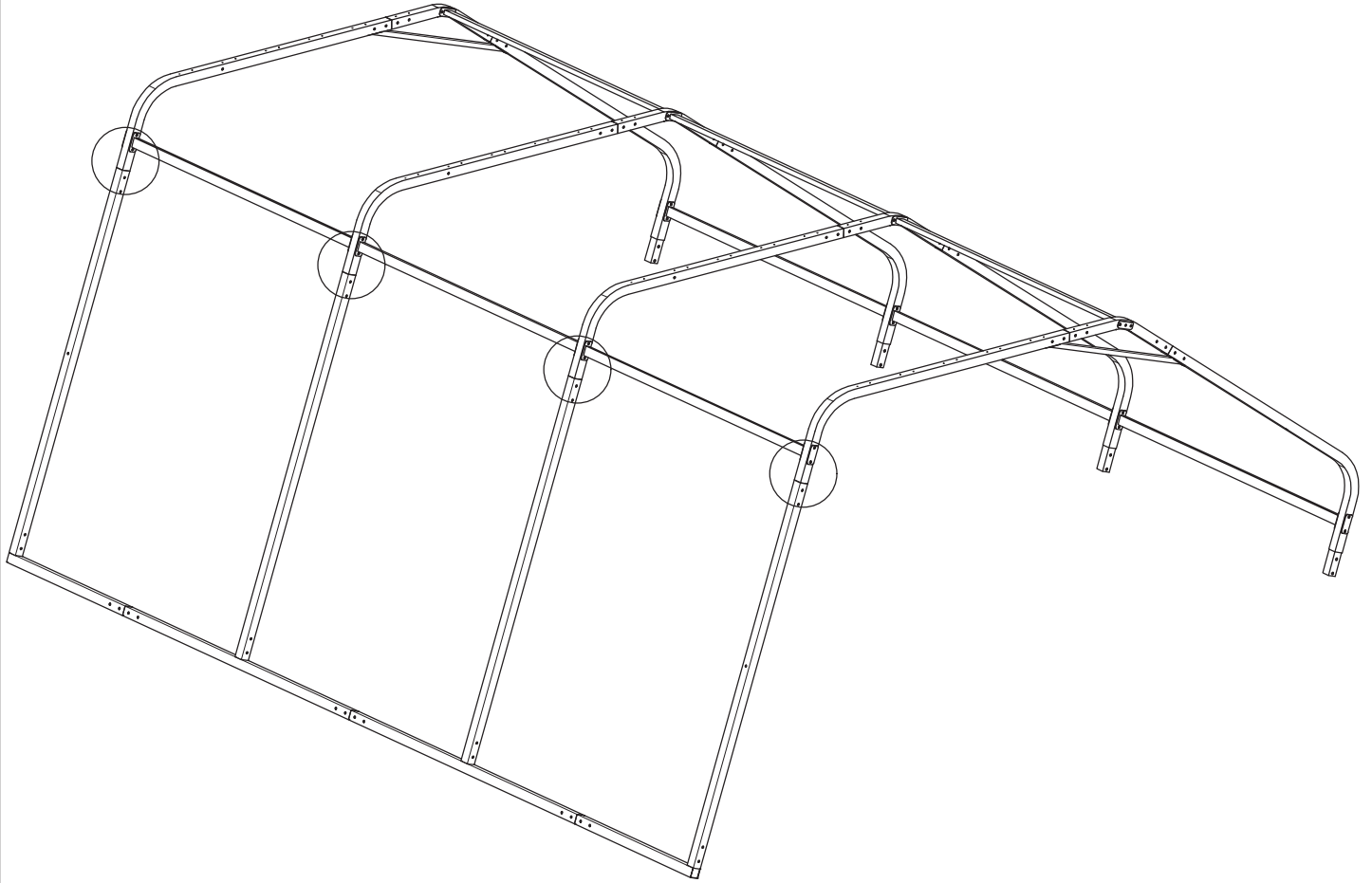
NO.	PART.	Qty.
7		4
8		4
9		4
10		4
T2		6
L2	 M6*50	40
L4	 M6*6	40





Assemble the circular hole on component T2 in the direction indicated by the arrow.

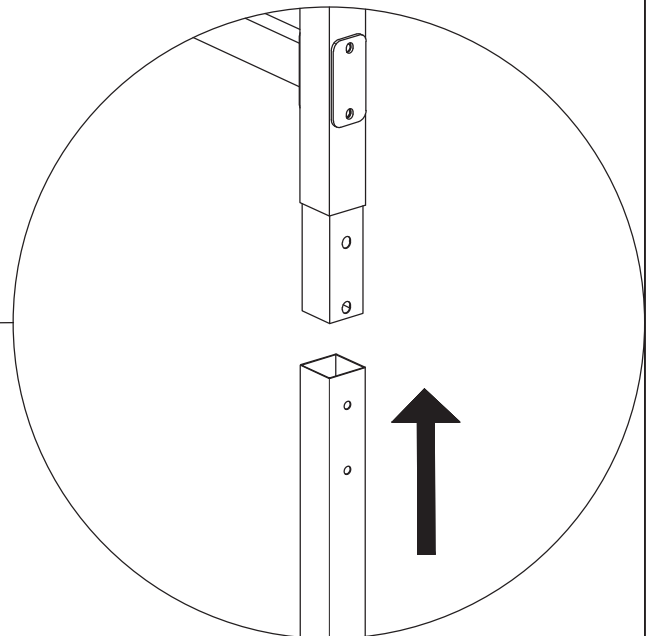
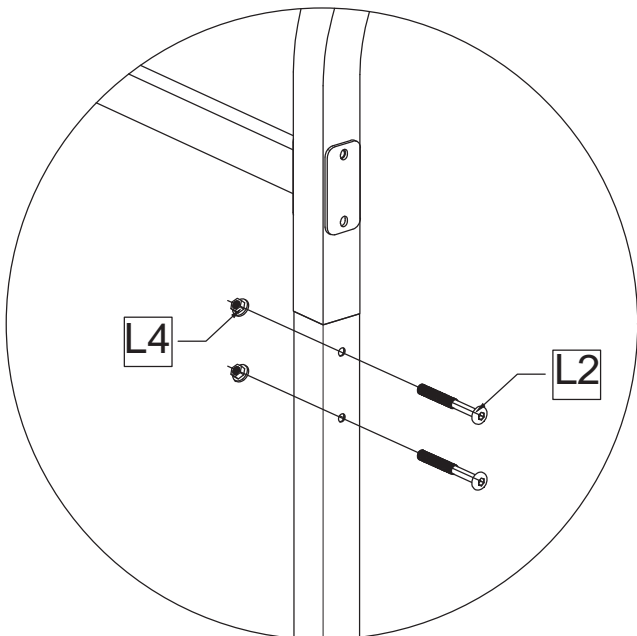
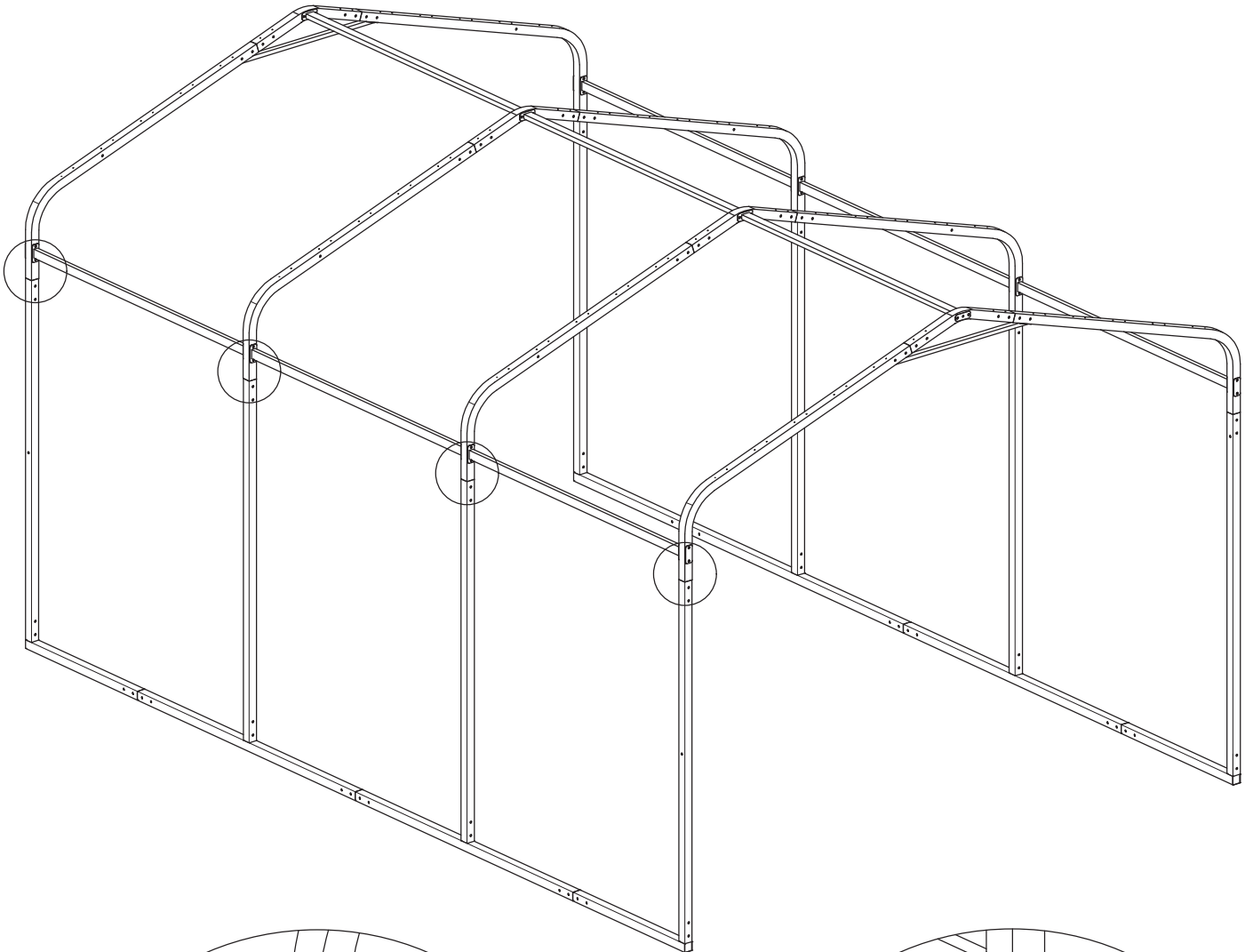
INSTALLATION STEPS

NO.	PART.	Qty.
L2	 M6*50	8
L4	 M6*6	8





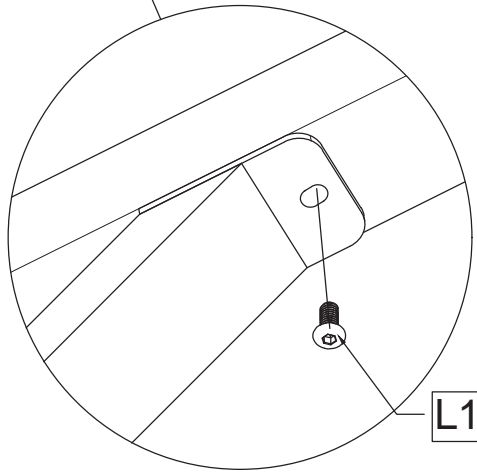
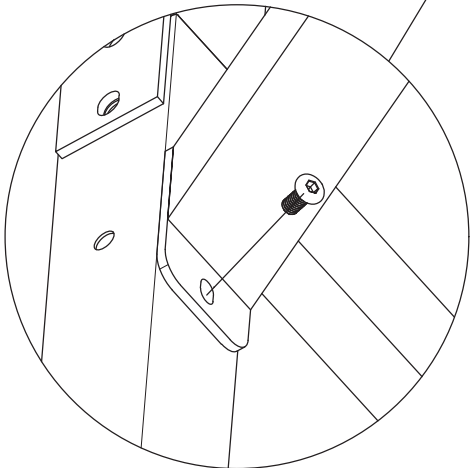
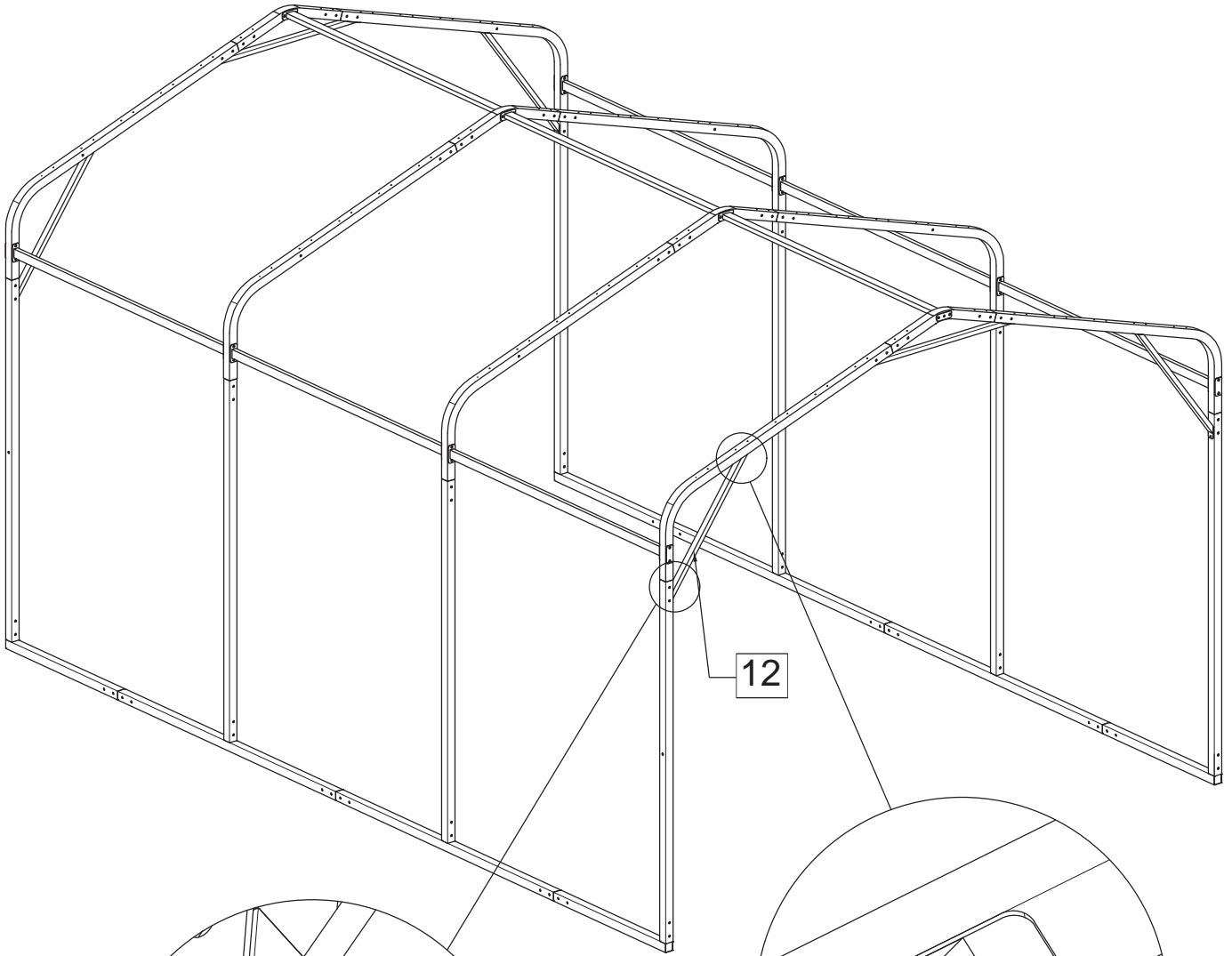
INSTALLATION STEPS

NO.	PART.	Qty.
L2	 M6*50	8
L4	 M6*6	8







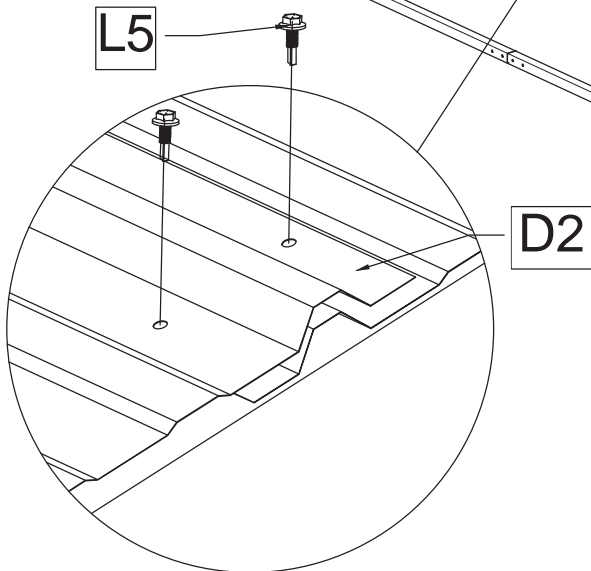
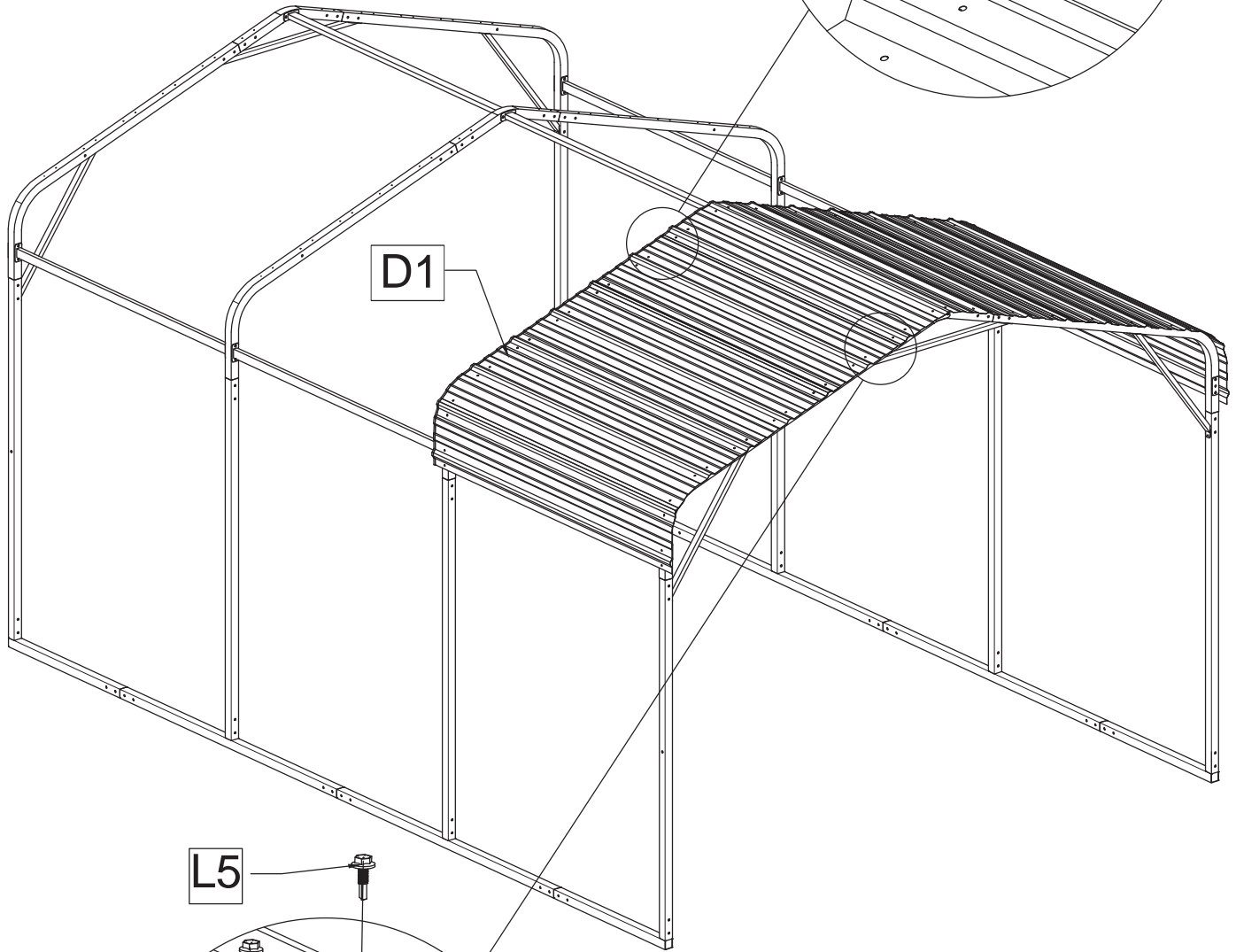
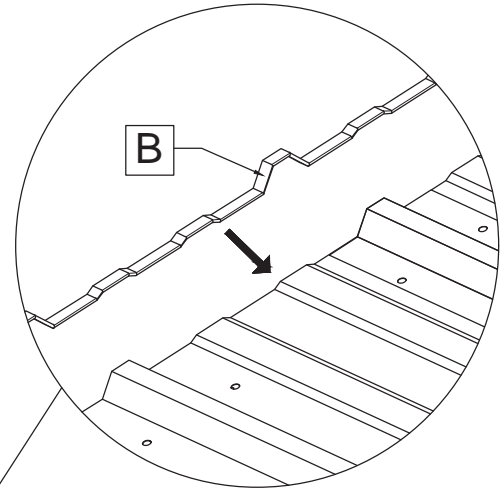
INSTALLATION STEPS

NO.	PART.	Qty.
12		4
L1	 M6*15	8







INSTALLATION STEPS

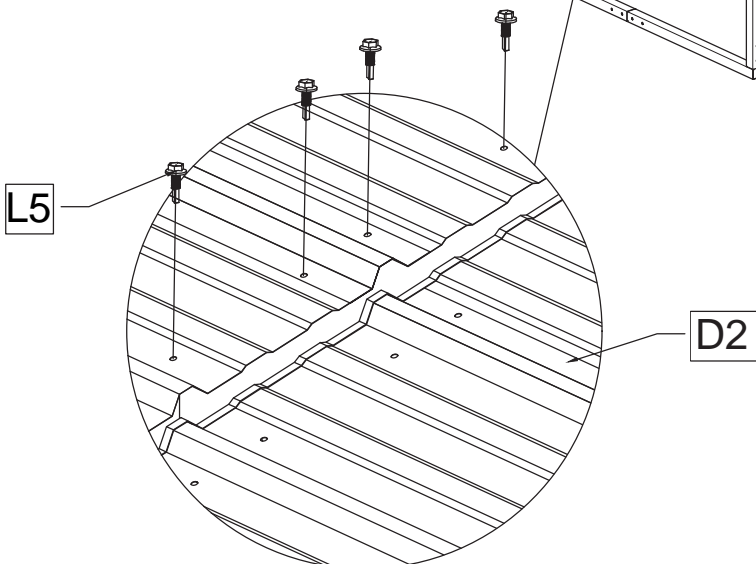
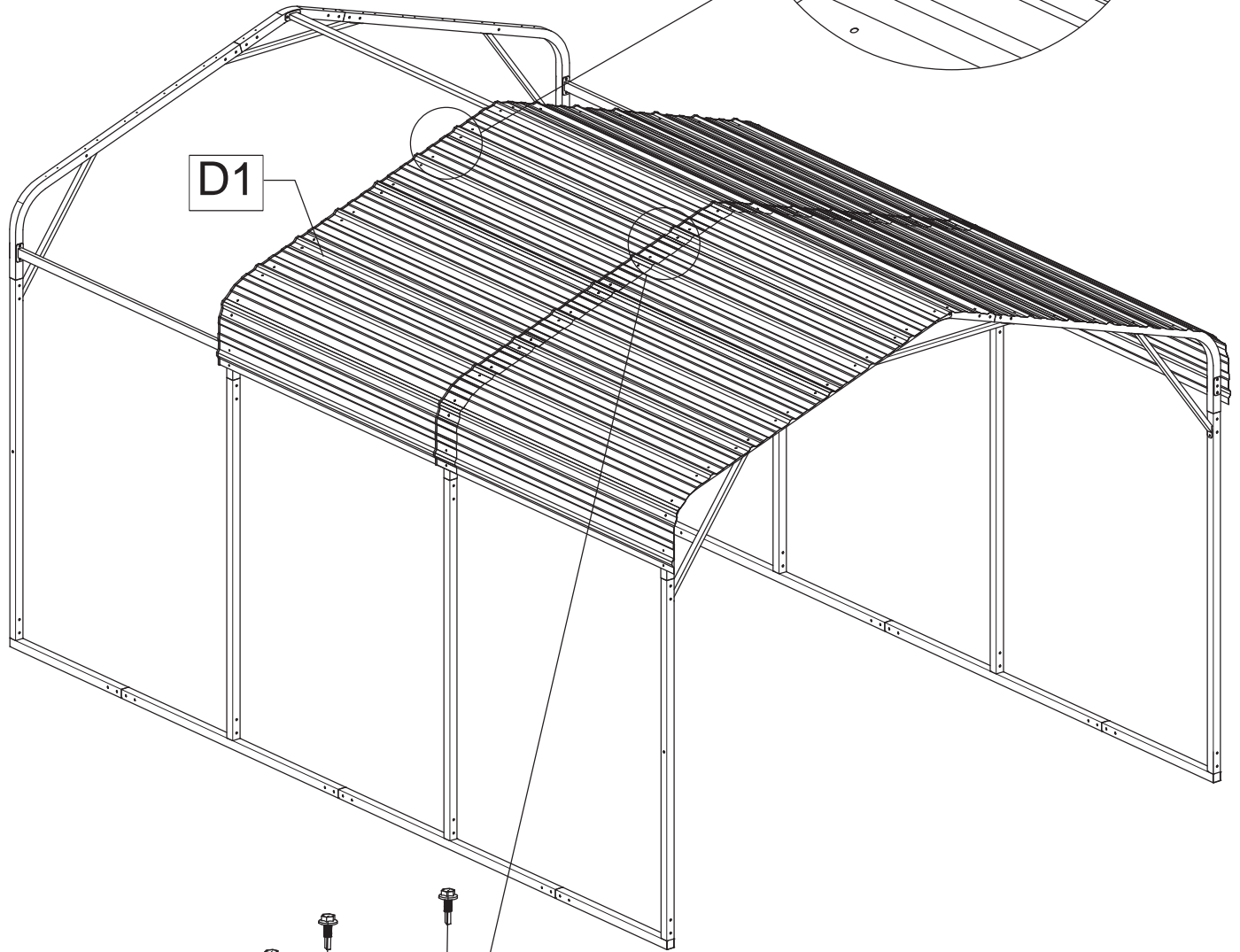
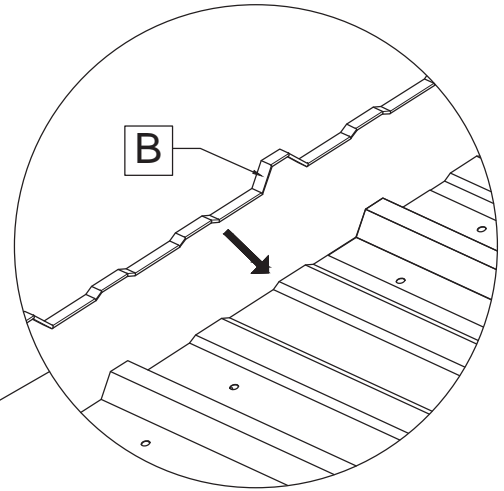
NO.	PART.	Qty.
D1		2
D2		7
L5	 4.2*19	34
B		1



Tile arrangement refers to the explosion diagram of the previous tiles.





INSTALLATION STEPS

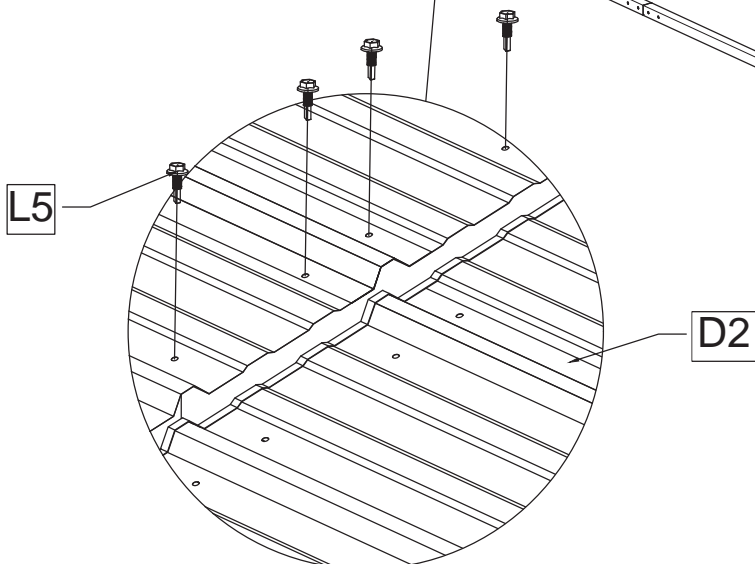
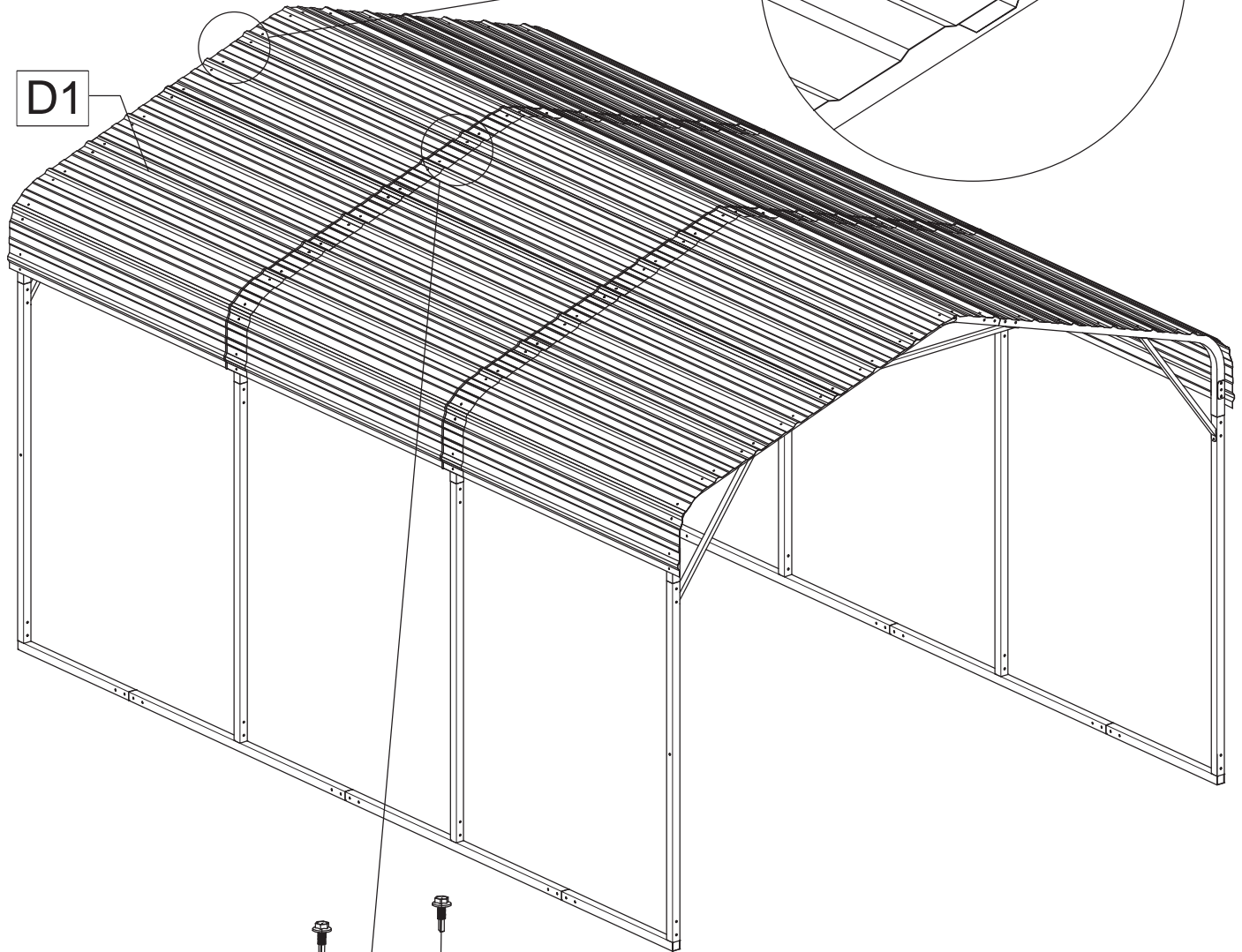
NO.	PART.	Qty.
D1		2
D2		7
L5	 4.2*19	34
B		1



Tile arrangement refers to the explosion diagram of the previous tiles.

INSTALLATION STEPS

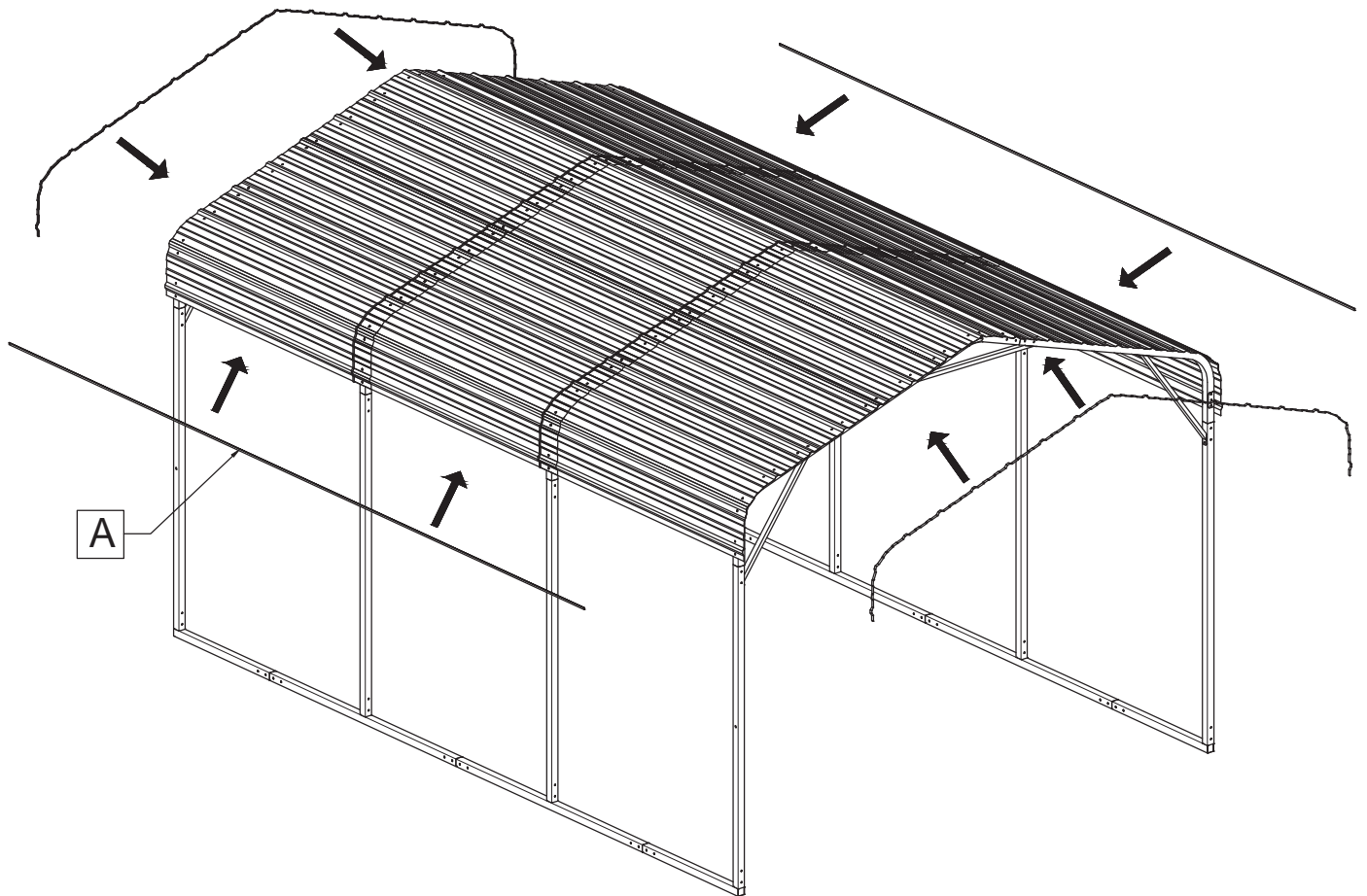
NO.	PART.	Qty.
D1		2
D2		7
L5	 4.2*19	68
B		1







Tile arrangement refers to the explosion diagram of the previous tiles.

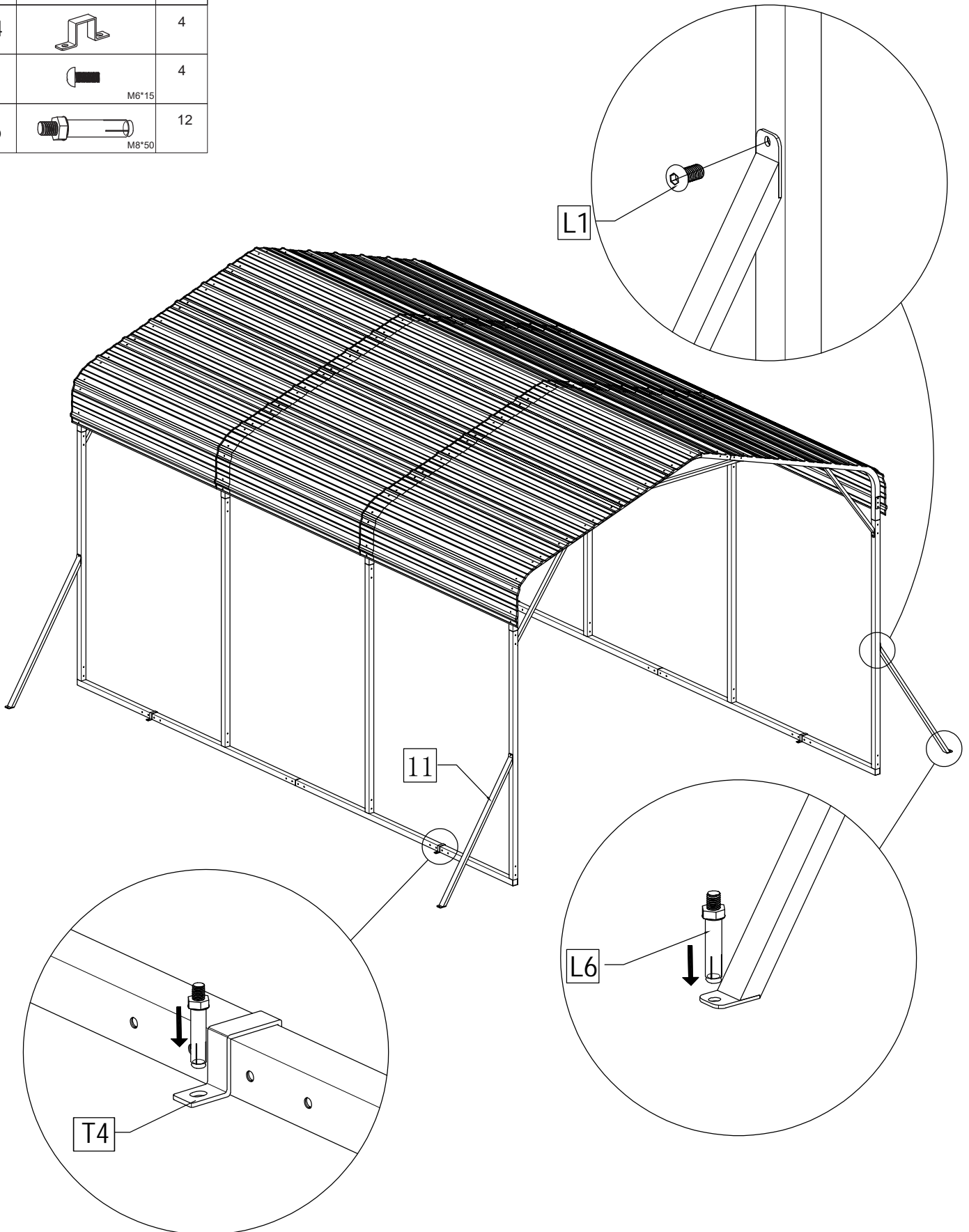
INSTALLATION STEPS

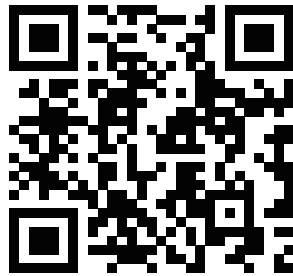
NO.	PART.	Qty.
A		1



INSTALLATION STEPS

NO.	PART.	Qty.
11		4
T4		4
L1	 M6*15	4
L6	 M8*50	12





www.alaulm.com

Make Your Life Much Better.