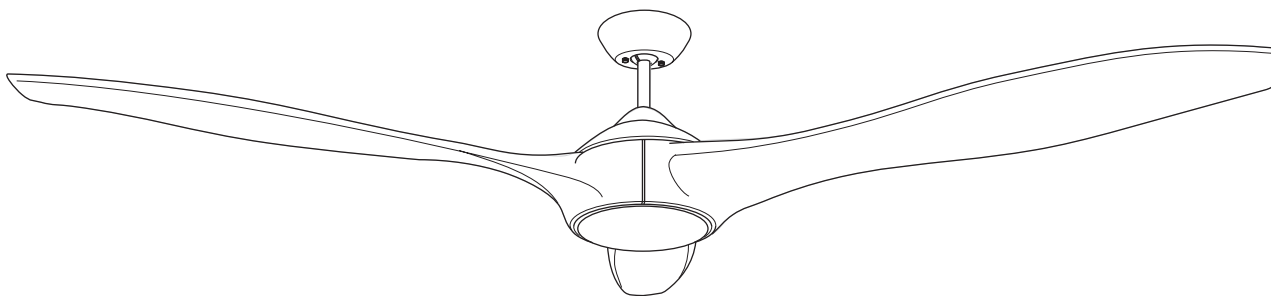

CEILING FAN



60" / 72" Ceiling Fan Owner's Manual

USE AND CARE GUIDE

Table of Contents

Section	Page
Safety Instructions	2
1. Unpacking Instructions	3-4
2. Electrical Requirements	4
3. Ceiling Fan Assembly	5-9
4. How to Hang Your Ceiling Fan	10-11
5. How to Wire Your Ceiling Fan	12-15
6. Final Assembly	16-18
7. Wall Control Procedure	19
8. Wall Control Installation	20-23
9. Programming the Receiver Operating Frequency	24

Section	Page
10. Using Your Ceiling Fan	25
11. Maintenance	26
12. Energy Efficient Use of Ceiling Fans	27
13. Troubleshooting	28

READ AND SAVE THESE INSTRUCTIONS

Safety Instructions

WARNING

TO REDUCE THE RISK OF FIRE, ELECTRICAL SHOCK, OR INJURY TO PERSONS, OBSERVE THE FOLLOWING:

- Use this unit only in a manner intended by the manufacturer. If you have questions, contact the manufacturer.
- Before servicing or cleaning unit, switch power off at service panel and lock service panel disconnecting means to prevent power from being switched on accidentally. When the service disconnecting means cannot be locked, securely fasten a warning device, such as a tag, to the service panel.

- Read your owner's manual carefully and keep it for future reference.
- Be careful of the fan and blades when cleaning, painting, or working near the fan. Always turn off the power to the ceiling fan before servicing.
- Do not put anything into the fan blades while they are turning.

Additional Safety Instructions for Installation

- To avoid possible shock, be sure electricity is turned off at the fuse box before wiring, and do not operate fan without blades.
- All wiring must be in accordance with the National Electrical Code "ANSI/NFPA 70-2017" and Local Electrical Codes. Use the National Electrical Code if Local Codes do not exist. The ceiling fan must be grounded as a precaution against possible electrical shock. Electrical installation should be made or approved by a licensed electrician.
- The outlet box and joist must be securely mounted and capable of reliably supporting at least 50 pounds. Use only U.L. outlet boxes listed as "Acceptable for Fan Support of 22.7kg. (50 lbs.) or less", and use the mounting screws provided with the outlet box. Most outlet boxes commonly used for support of light fixtures are not acceptable for fan support and may need to be replaced. Consult a qualified electrician if in doubt.

- The downrod furnished with the fan provides the minimum recommended floor to fan blade clearance for an 8 foot ceiling.

CAUTION

To reduce the risk of injury, install the fan so that the blades are at least 7 ft. (2.1m) above the floor.

- Follow the recommended instructions for the proper method of wiring your ceiling fan. If you do not know enough about electrical wiring, have your fan installed by a licensed electrician.

NOTE: This fan is suitable for use with solid-state speed controls.

NOTE: All set screws must be checked and re-tightened where necessary before installation.

WARNING

To reduce the risk of electrical shock, this fan must be installed with an isolating wall control/switch.

To reduce the risk of fire or electrical shock, this fan should only be used with fan speed control, Model No. RH-787NRE, manufactured by Rhine Electric Co., Ltd.

This product is designed to use only those parts supplied with this product and/or any accessories designated specifically for use with this product.

To reduce the risk of personal injury, do not bend the blades during installation, balancing the blades or cleaning the fan. Do not insert foreign objects in between rotating fan blades.

1. Unpacking Instructions

⚠ WARNING

Do not install or use fan if any part is damaged or missing.

⚠ WARNING

This product is designed to use only those parts supplied with this product and/or any accessories designated specifically for use with this product.

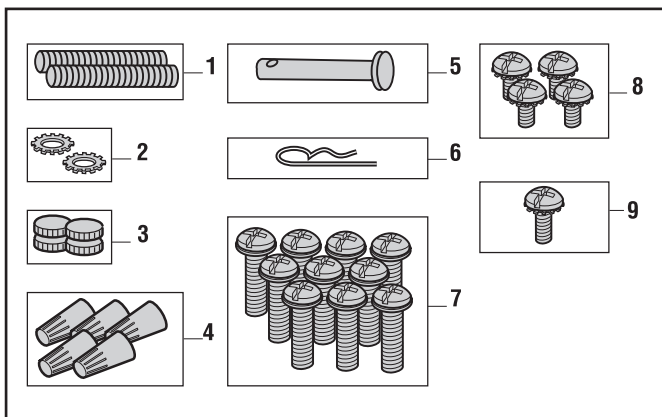
1.1

Open carton containing fan. Remove top half of styrofoam unit. Remove parts and check to see that you have received the following parts:

NOTE: If you are uncertain of part description, refer to exploded view illustration.

HARDWARE BAG CONTENTS

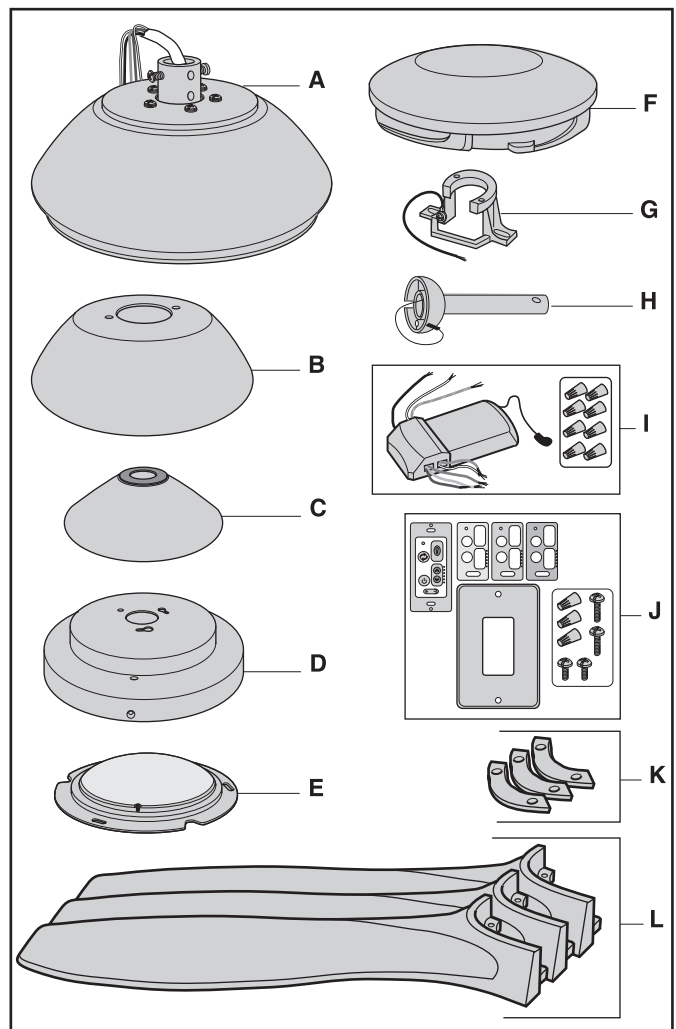
Part	Description	Qty
1	Threaded Studs, #8-32 x 1-1/4"	2
2	Lockwashers, External Tooth, #8	2
3	Knurled Knobs, #8-32	2
4	Wire Connectors	5
5	Clevis Pin	1
6	Hairpin Clip	1
7	1/4-20 x 28 mm Slotted Phillips Pan Head Screws w/Lockwashers (blade screws)	10
8	#6-32 x 1/4" Phillips Pan Head Screws w/Lockwashers (LED light fixture screws)	4
9	#6-32 x 3/8" Phillips Pan Head Screw w/Lockwasher (light kit adapter screw) (spare)	1



NOTE: Place the parts from the hardware bags in a small container to keep them from being lost.

PACKAGE CONTENTS

Part	Description	Quantity
A	Fan Motor Assembly	1
B	Ceiling Cover	1
C	Coupler Cover	1
D	Light Kit Adapter	1
E	LED Light Fixture Assembly	1
F	Shade	1
G	Hanger Bracket	1
H	Hanger Ball / 6" Downrod	1
I	Receiver w/Hardware	1
J	6-speed Wall Control w/Hardware	1
K	Blade Support Plates	3
L	Fan Blades	3



1. Unpacking Instructions (Continued)

This Manual Is Designed to Make it as Easy as Possible for You to Assemble, Install, Operate and Maintain Your Ceiling Fan

1.2

Remove the Fan Motor Assembly from the protective plastic bag. Place the Fan Motor Assembly onto the upper foam pad with the Bottom of the Fan Motor Assembly facing up for Light Fixture Assembly.

The upper foam pad serves as a holder for the Fan during the first stages of assembly.

Tools Needed for Assembly

One Phillips Head Screwdriver One Stepladder
One 1/4" Blade Screwdriver One Wire Stripper

Materials

Wiring outlet box and box connectors must be of type required by the local code. The minimum wire would be a 3-conductor (2-wire with ground) of following size:

<u>Installed Wire Length</u>	<u>Wire Size A.W.G.</u>
Up to 50 ft.	14
50-100 ft.	12

Your Ceiling Fan comes supplied with a DC Receiver and Wall Control. This system allows you to regulate your Ceiling Fan Speed and Light Control.

WARNING

Before assembling your ceiling fan, refer to section on proper method of wiring your fan (page 12). If you feel you do not have enough wiring knowledge or experience, have your fan installed by a licensed electrician.

Controls (Sold Separately)

This Ceiling Fan may be used with the following Accessory (purchased separately): SR600 Remote Control.

2. Electrical Requirements

Your new Ceiling Fan will require a grounded electrical supply line of 120 Volts AC, 60 Hz, 15 Amp circuit.

WARNING

To reduce the risk of fire, electric shock, or personal injury, mount fan to outlet box marked "Acceptable for Fan Support of 22.7kg. (50 lbs.) or less", and use screws supplied with outlet box. Most outlet boxes commonly used for support of light fixtures are not acceptable for fan support and may need to be replaced. Consult a qualified electrician if in doubt.

WARNING

Turning off wall switch is not sufficient. To avoid possible electrical shock, be sure electricity is turned off at the main fuse box before wiring. All wiring must be in accordance with National and Local codes and the ceiling fan must be properly grounded as a precaution against possible electrical shock.

The outlet box must be securely anchored and capable of withstanding a load of at least 50 pounds.

If your Fan is to replace an existing ceiling light fixture, turn electricity off at the main fuse box at this time and remove the existing light fixture.

WARNING

To avoid fire or shock, follow all wiring instructions carefully.

Any electrical work not described in these instructions should be done or approved by a licensed electrician.

3. Ceiling Fan Assembly

3.1

Orientate the Blade Support Plate and Fan Blade onto the Fan Motor Hub, as shown in Figure 1.

Mount the Fan Blade onto the Fan Motor Hub using Three 1/4-20 x 28 mm Pan Head Screws with Lockwashers (supplied in ceiling fan parts bag) (Figure 1).

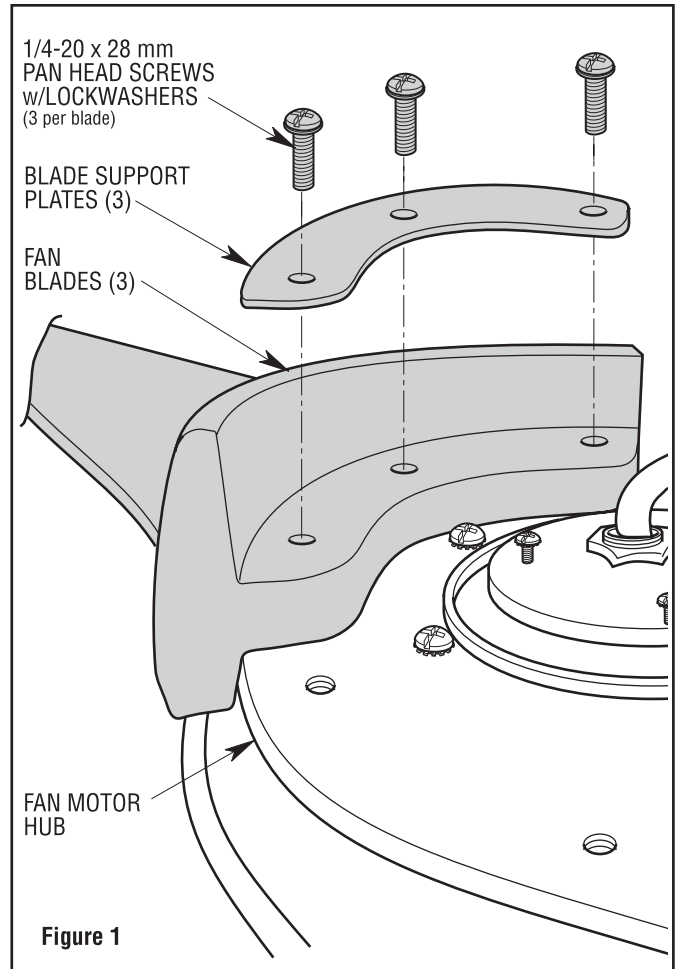
Repeat for the remaining Two Fan Blades and Support Plates.

To Secure the Three Blade Support Plates and the Fan Blades to the Fan Motor Hub, Tighten all 1/4-20 x 28 mm Pan Head Screws with Lockwashers.

NOTE: Take care not to scratch the Fan Housing or blades when installing the Fan Blades.

WARNING

To reduce the risk of personal injury, do not bend the blades during installation, balancing the blades or cleaning the fan. Do not insert foreign objects in between rotating fan blades.



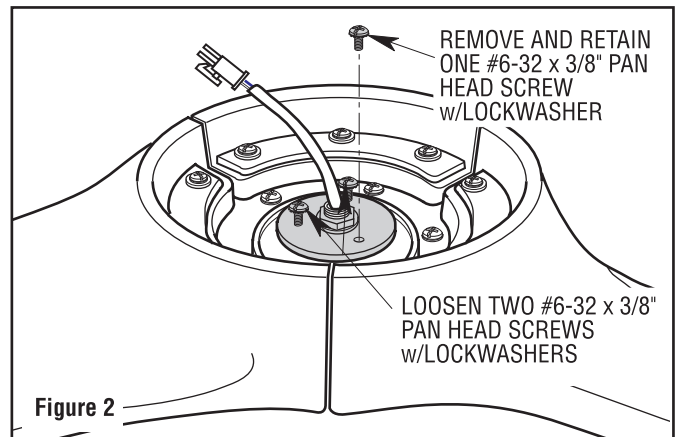
3. Ceiling Fan Assembly (Continued)

3.2

Remove One of the Three #6-32 x 3/8" Pan Head Screws with Lockwashers from the Fan Motor Hub (Figure 2).

Retain the #6-32 x 3/8" Pan Head Screw with Lockwasher for future use.

Loosen the Two #6-32 x 3/8" Pan Head Screws with Lockwashers (Figure 2).



3.3

Place the 2-pin Fan Motor Assembly connector through the large center hole of the Light Kit Adapter (Figure 3).

Position the Light Kit Adapter Key Hole Slots onto the Two loosened Screw Heads.

Rotate the Light Kit Adapter Clockwise to engage the Two Screws.

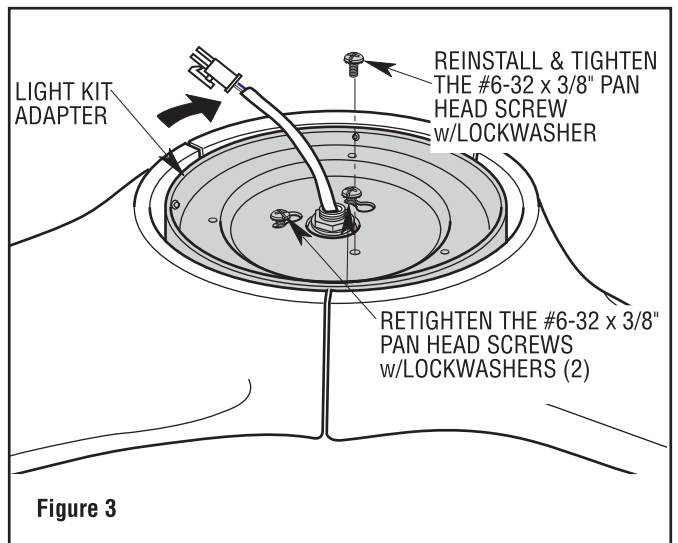
NOTE: Verify that the serrated washers are not trapped between the Light Kit Adapter and the Fan Motor Hub.

Reinstall the previously removed #6-32 x 3/8" Pan Head Screw with Lockwasher (Figure 3).

Retighten all Three #6-32 x 3/8" Pan Head Screws with Lockwashers to securely attach the Light Kit Adapter to the Fan Motor Hub (Figure 3).

A spare #6-32 x 3/8" Pan Head Screw with Lockwasher is in the hardware bag, if needed.

Carefully turn the partially assembled Ceiling Fan right side up and position the Fan on the styrofoam in preparation for additional assembly.



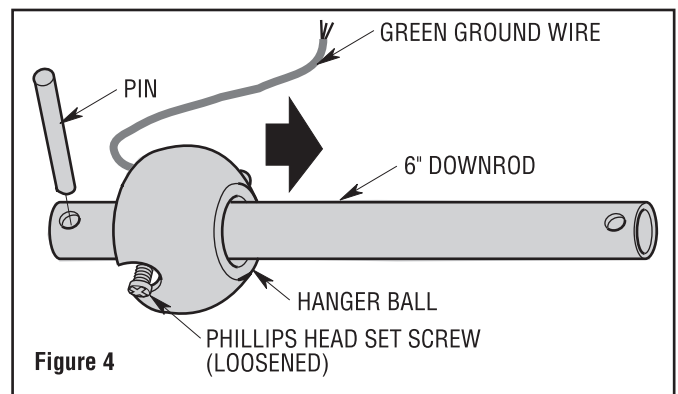
3.4

Remove the Hanger Ball by loosening the Phillips Head Set Screw in the Hanger Ball until the Ball falls freely down the 6" Downrod (Figure 4).

Remove the Pin from the 6" Downrod, then remove the Hanger Ball (Figure 4).

Retain the Pin and Hanger Ball for reinstallation in Step 3.11.

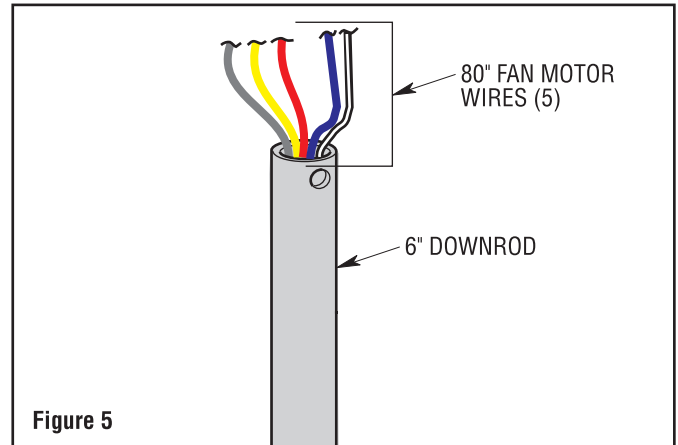
NOTE: Do not loosen the screw that attaches the green ground wire to the hanger ball.



3. Ceiling Fan Assembly (Continued)

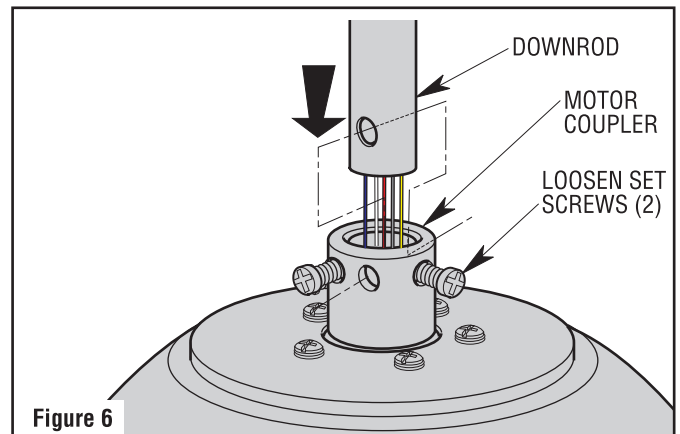
3.5

Separate, untwist and unkink the Five 80" Motor Wires. Route the Five 80" Motor Wires through the 6" Downrod (Figure 5).



3.6

Loosen the Two Phillips Head Set Screws in the Motor Coupler for installation of the 6" Downrod (Figure 6). Seat the 6" Downrod in the Motor Coupler (Figure 6). Rotate and align the Downrod Holes with the Two Motor Coupler Holes.



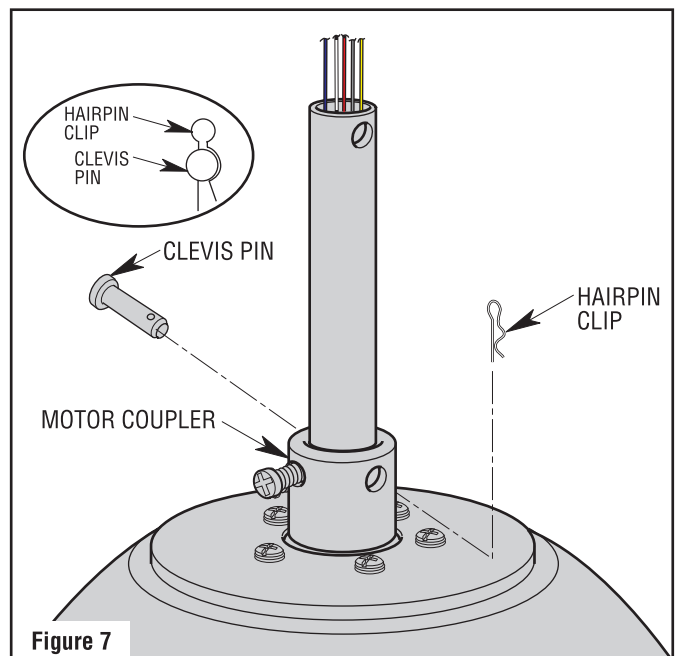
3.7

Slide the Clevis Pin through the Motor Coupler Holes. Install the Hairpin Clip through the Clevis Pin Holes to secure (Figure 7).

NOTE: The Clevis Pin must go through the holes in the Motor Coupler. It is critical that the Clevis Pin is properly installed and secure.

WARNING

It is critical that the clevis pin is properly installed and secured with the hairpin clip. Failure to verify that the clevis pin is properly installed could result in the fan falling.



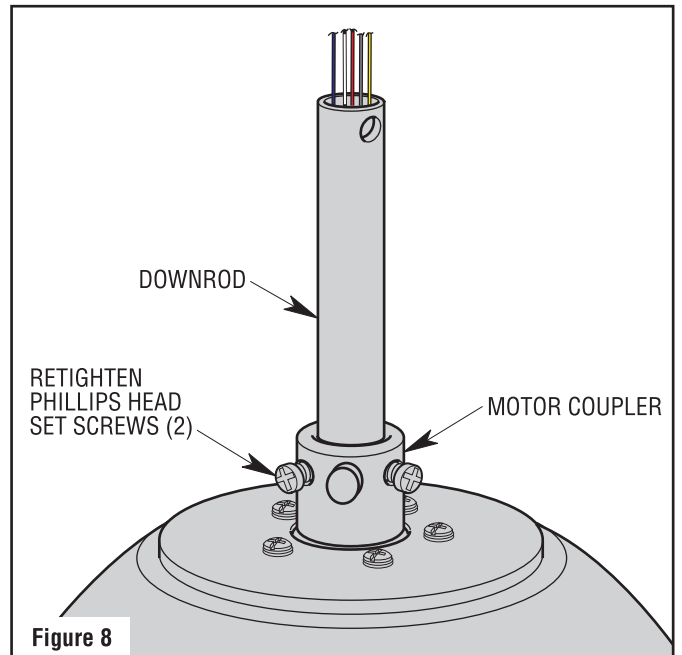
3. Ceiling Fan Assembly (Continued)

3.8

Retighten the Two Phillips Head Set Screws evenly to secure the Downrod to the Motor Coupler in a vertical position (Figure 8).

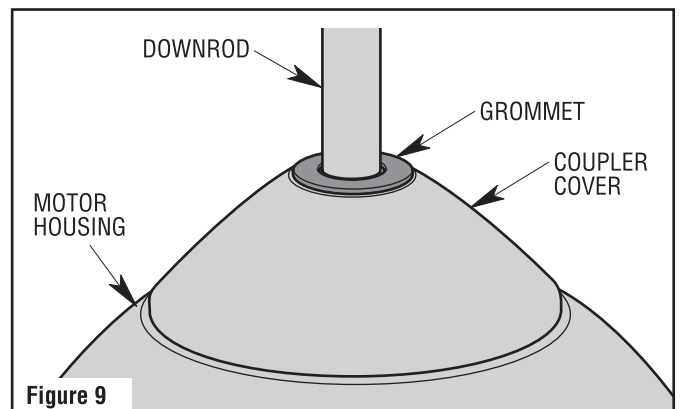
⚠ WARNING

It is critical that the set screws in the motor coupler are securely tightened. Failure to verify that the set screws are properly installed could result in the fan falling.



3.9

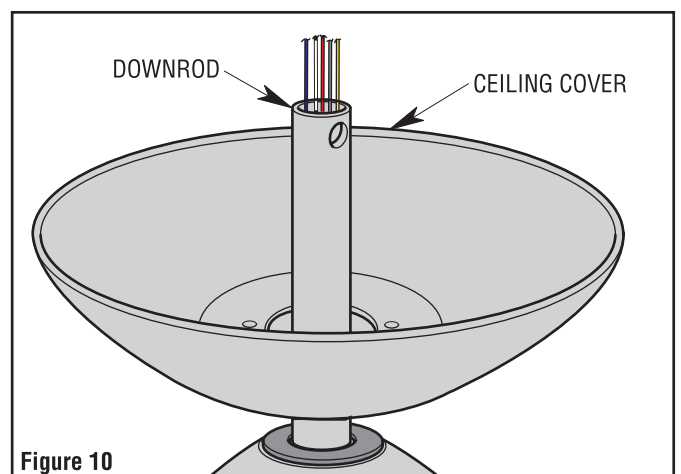
Make sure the Grommet is properly installed in the Coupler Cover, then slide the Coupler Cover on the 6" Downrod until it rests on the Motor Housing (Figure 9).



3.10

Place the Ceiling Cover over the Downrod (Figure 10).

Be sure that the Ceiling Cover and the Coupler Cover are both oriented correctly (Figure 10).



3. Ceiling Fan Assembly (Continued)

3.11

Reinstall the Hanger Ball on the Downrod as follows:

Route the Five 80-inch Motor Wires through the Hanger Ball and slide the Hanger Ball over the Downrod (Figure 11).

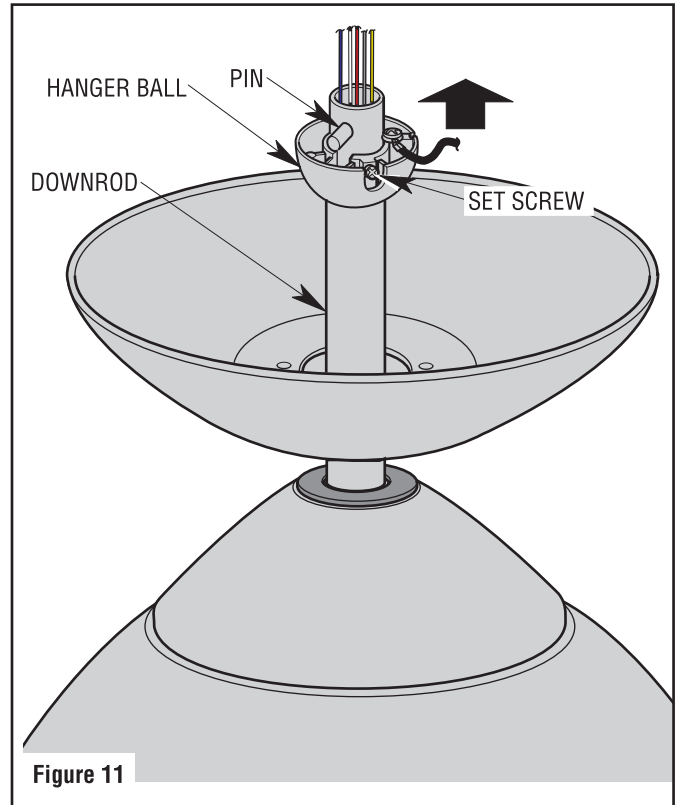
Position the Pin through the two holes in the Downrod and align the Hanger Ball so the Pin is captured in the Groove in the top of the Hanger Ball (Figure 11).

Pull the Hanger Ball up tight against the Pin and securely tighten the Set Screw in the Hanger Ball.

NOTE: A loose set screw could create fan wobble.

WARNING

It is critical that the pin in the hanger ball is properly installed and the set screw securely tightened. Failure to verify that the pin and set screw are properly installed could result in the fan falling.



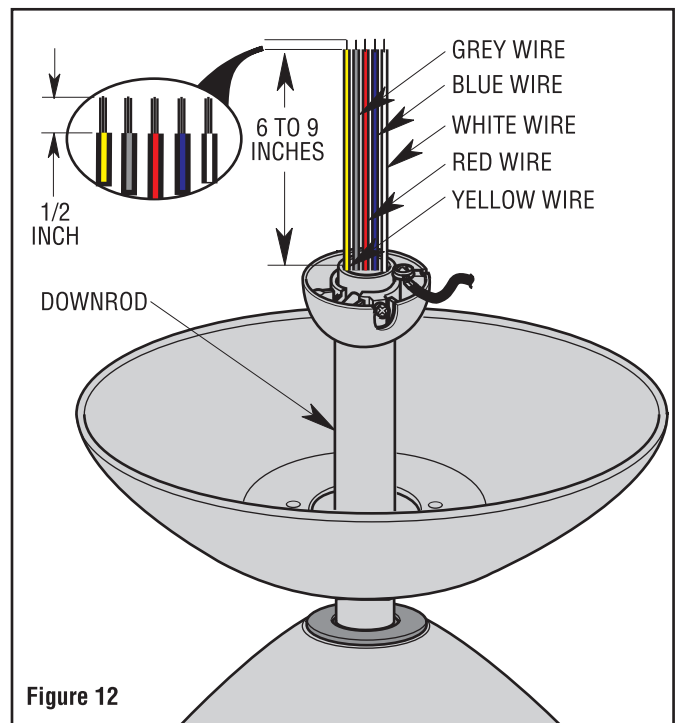
3.12

The Fan comes with Blue, White, Grey, Red, and Yellow Wires that are 80-inches long.

Before installing the Fan, measure up approximately 6 to 9-inches above top of Hanger Ball / Downrod Assembly (Figure 12).

Cut off excess Wires and strip back insulation 1/2-inch from end of Wires.

You have now partially completed the assembly of your new Ceiling Fan, proceed to "How to Hang Your Ceiling Fan". Final Assembly of the Ceiling Fan will be completed once Ceiling Fan is Hung and Wired.



4. How to Hang Your Ceiling Fan

⚠ CAUTION

To reduce the risk of injury, install the fan so that the blades are at least 7 ft. (2.1m) above the floor (Figure 13).

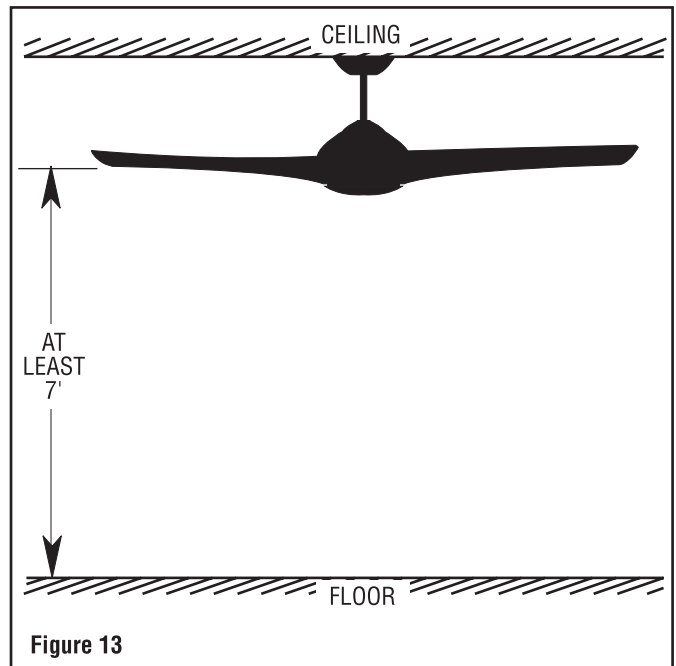
⚠ WARNING

Turning off wall switch is not sufficient. To avoid possible electrical shock, be sure electricity is turned off at the main fuse box before wiring. All wiring must be in accordance with National and Local codes and the ceiling fan must be properly grounded as a precaution against possible electrical shock.

⚠ WARNING

To avoid possible electrical shock, be sure electricity is turned off at the main fuse box before wiring.

NOTE: If you are not sure if the outlet box is grounded, contact a licensed electrician for advice, as it must be grounded for safe operation.



⚠ WARNING

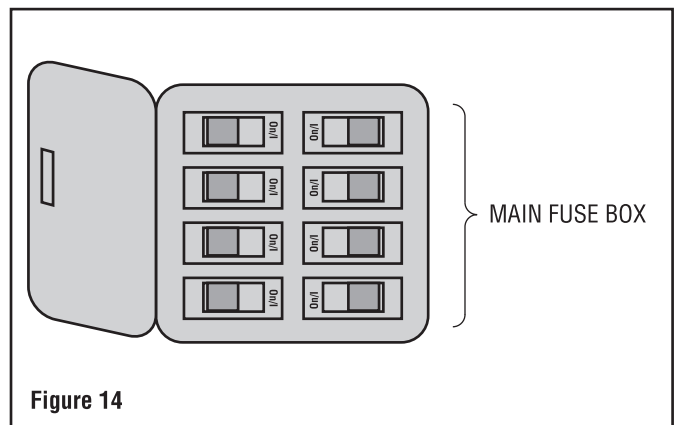
The outlet box and joist must be securely mounted and capable of supporting at least 50 lbs. Use only a U.L. outlet box listed as “Acceptable for Fan Support of 22.7 kg. (50 lbs.) or less”.

⚠ WARNING

To reduce the risk of fire, electric shock, or personal injury, mount fan to outlet box marked “Acceptable for Fan Support of 22.7 kg. (50 lbs.) or less”, and use screws supplied with outlet box. Most outlet boxes commonly used for support of light fixtures are not acceptable for fan support and may need to be replaced. Consult a qualified electrician if in doubt.

4.1

Disconnect Electrical Power to the Branch Circuit at the Circuit Breaker or Fuse Box before attempting to install the Ceiling Fan Hanger Bracket on the Outlet Box (Figure 14).



⚠ WARNING

To avoid fire or shock, follow all wiring instructions carefully.

Any electrical work not described in these instructions should be done or approved by a licensed electrician.

4. How to Hang Your Ceiling Fan (Continued)

! WARNING

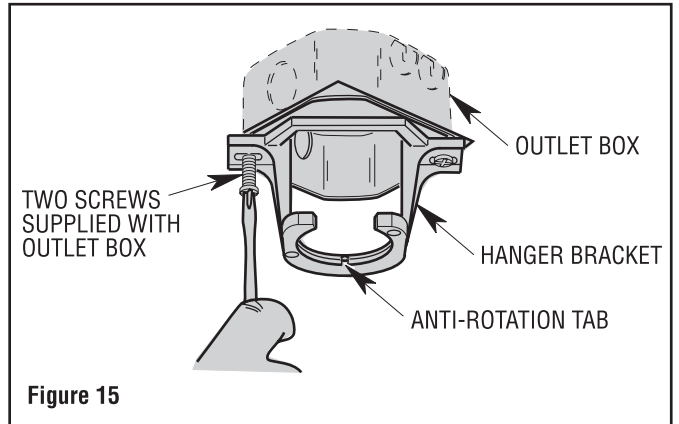
The outlet box and joist must be securely mounted and capable of supporting at least 50 lbs. Use only a U.L. outlet box listed as "Acceptable for Fan Support of 22.7 kg. (50 lbs.) or less".

! WARNING

To reduce the risk of fire, electric shock, or personal injury, mount fan to outlet box marked "Acceptable for Fan Support of 22.7 kg. (50 lbs.) or less", and use screws supplied with outlet box. Most outlet boxes commonly used for support of light fixtures are not acceptable for fan support and may need to be replaced. Consult a qualified electrician if in doubt.

4.2

Securely attach the Hanger Bracket to the Outlet Box using the Two Screws supplied with the Outlet Box (Figure 15).



! WARNING

Hanger bracket must seat firmly against outlet box. If the outlet box is recessed, remove wall board until bracket contacts box. If bracket and/or outlet box are not securely attached, the fan could wobble or fall.

4.3

Carefully lift the partially assembled ceiling fan and seat the Hanger Ball / Downrod Assembly into the Hanger Bracket that was just attached to the Outlet Box (Figure 16).

Be sure the Groove in the Ball is engaged with the Anti-rotation Tab on the Hanger Bracket (Figure 16).

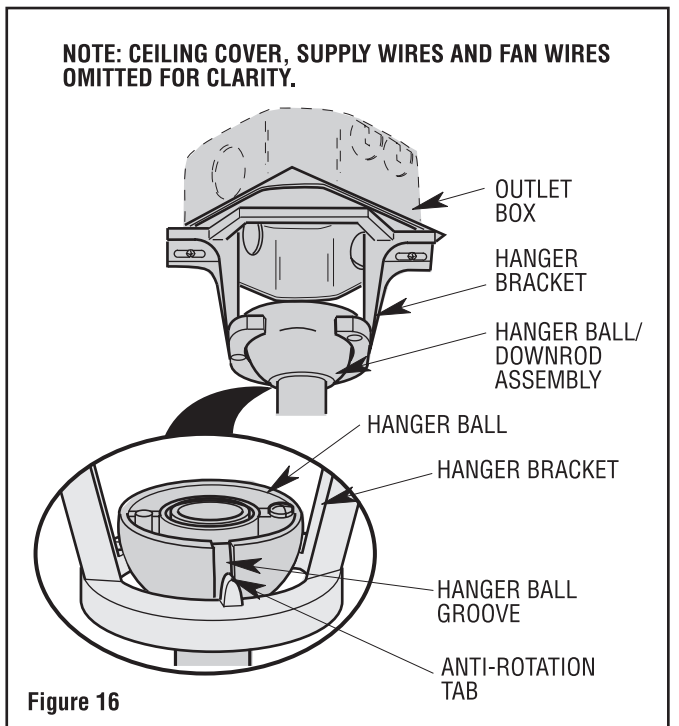
NOTE: Be very careful not to bend the blade assemblies while hanging the partially assembled ceiling fan.

! WARNING

Failure to seat the anti-rotation tab into the hanger ball groove could cause damage to electrical wires and possible shock or fire hazard.

! WARNING

To avoid possible fire or shock, do not pinch wires between the hanger ball/downrod assembly and hanger bracket.



5. How to Wire Your Ceiling Fan

If you feel that you do not have enough electrical wiring knowledge or experience, have your fan installed by a licensed electrician.

⚠ WARNING

To avoid possible electrical shock, be sure electricity is turned off at the main fuse box before wiring.

NOTE: If you are not sure if the outlet box is grounded, contact a licensed electrician for advice, as it must be grounded for safe operation.

5.1

Position the Supply Wires to the left side of the Outlet Box (Figure 17); position the Fan Wires to the right side.

Partially insert the Remote Control Receiver (flat side up) until one end rests on the Hanger Ball as shown in Figure 17.

CAUTION: To reduce the risk of electrical shock, disconnect the electrical supply circuit before installing the fan or receiver.

⚠ WARNING

Turning off wall switch is not sufficient. To avoid possible electrical shock, be sure electricity is turned off at the main fuse box before wiring. All wiring must be in accordance with National and Local codes and the ceiling fan must be properly grounded as a precaution against possible electrical shock.

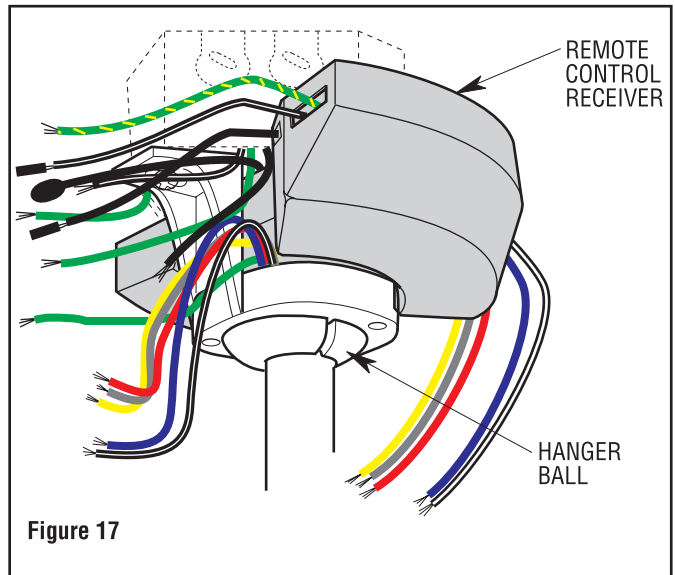


Figure 17

⚠ WARNING

This product is designed to use only those parts supplied with this product and/or any accessories designated specifically for use with this product.

5.2

Connect the Hanger Ball Green Ground Wire, the Hanger Bracket Green Ground Wire, and the Remote Control Receiver Green/Yellow Ground Wire to the Supply Ground Conductor (this may be a bare wire or wire with green colored insulation).

Securely connect Wires with a 12 ga. Wire Connector (supplied in parts bag) (Figure 18).

NOTE: Make all Wiring Connections using Wire Connectors (supplied). Make sure that all Connections are tight, including Ground, and that no bare wire is visible at the Wire Connectors, except for the Ground Wire.

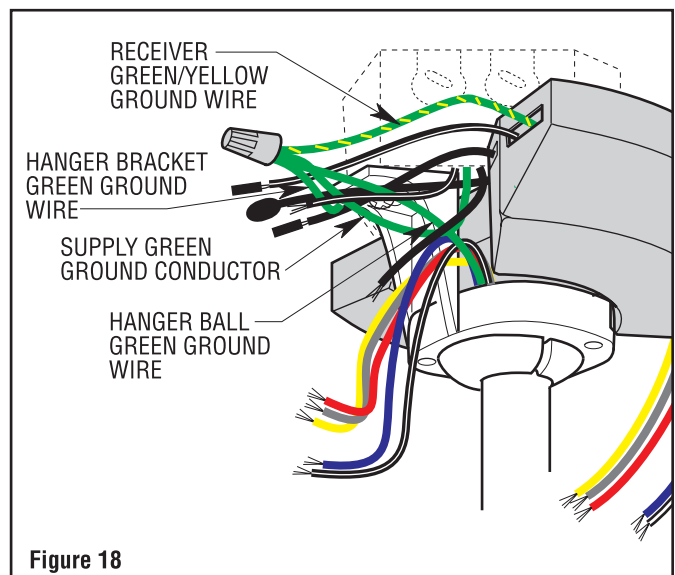
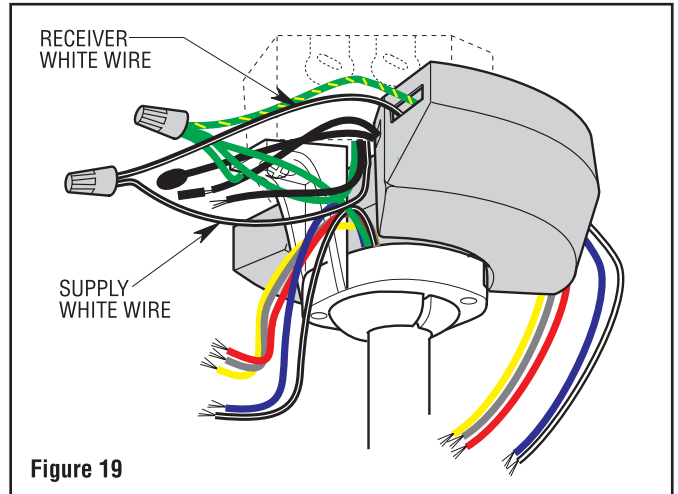


Figure 18

5. How to Wire Your Ceiling Fan (Continued)

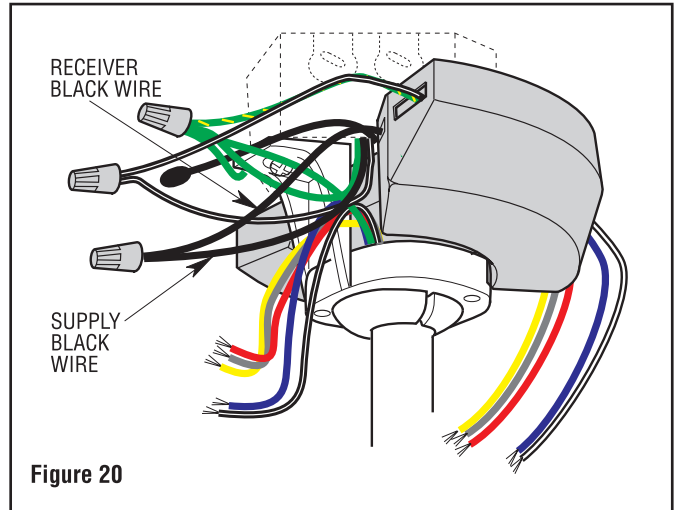
5.3

Securely connect the Supply White (neutral) Wire to the Receiver White (AC IN N) Wire using a 12 ga. Wire Connector (supplied in parts bag) (Figure 19).



5.4

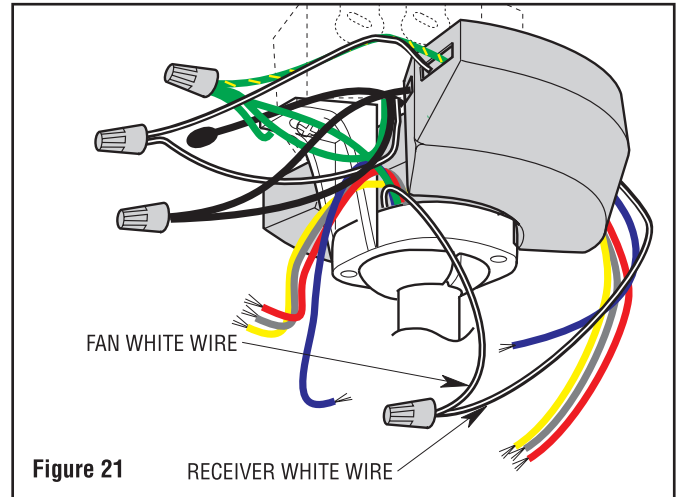
Securely connect the Supply Black (hot) Wire to the Receiver Black (AC IN L) Wire using a 12 ga. Wire Connector (supplied in parts bag) (Figure 20).



5. How to Wire Your Ceiling Fan (Continued)

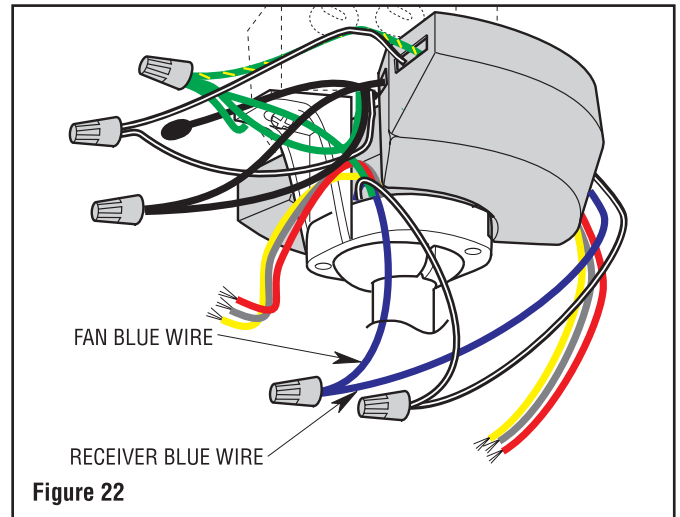
5.5

Securely connect the Fan White (neutral) Wire to the Receiver White (FOR LIGHT) Wire using a 18 ga. Wire Connector (supplied with receiver) (Figure 21).



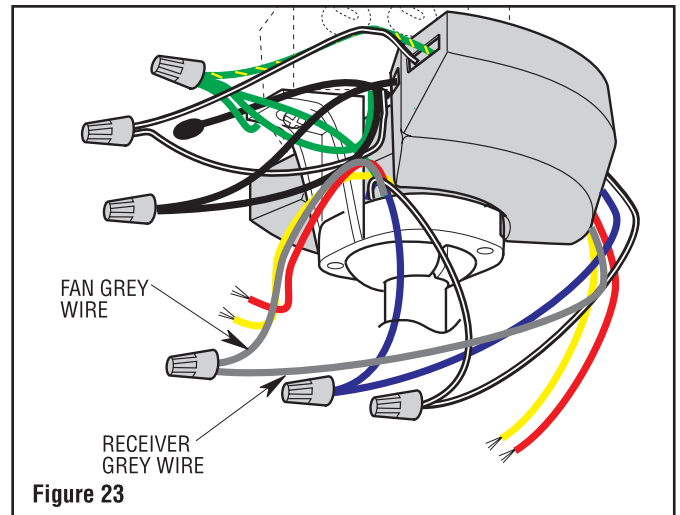
5.6

Securely connect the Fan Blue Wire to the Receiver Blue (FOR LIGHT) Wire using a 18 ga. Wire Connector (supplied with receiver) (Figure 22).



5.7

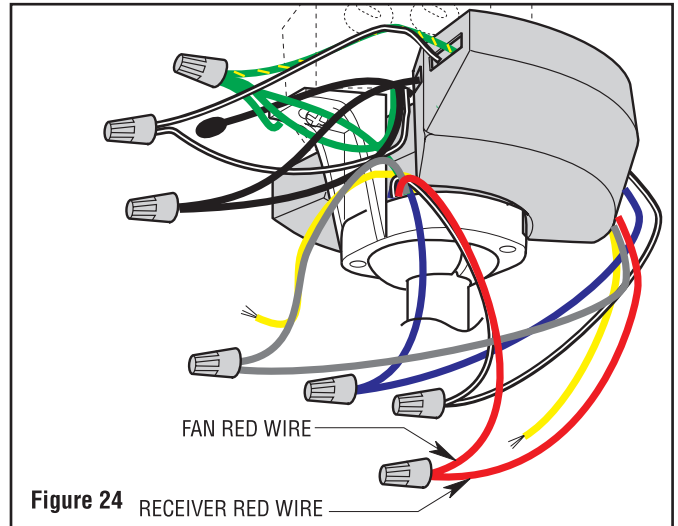
Securely connect the Fan Grey Wire to the Receiver Grey (TO MOTOR) Wire using a 18 ga. Wire Connector (supplied with receiver) (Figure 23).



5. How to Wire Your Ceiling Fan (Continued)

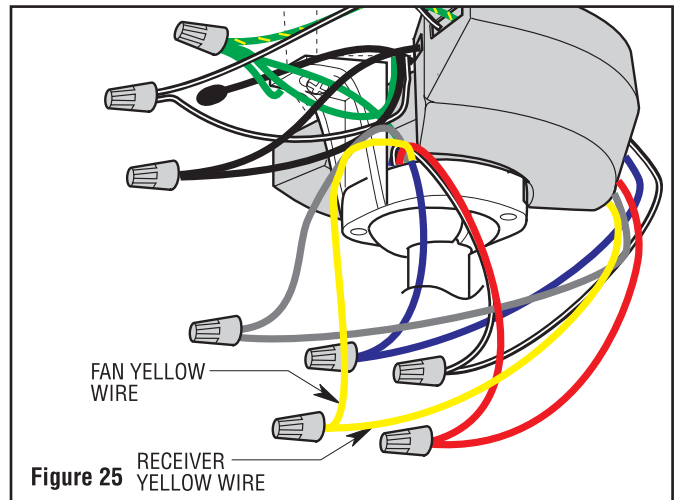
5.8

Securely connect the Fan Red Wire to the Receiver Red (TO MOTOR) Wire using a 18 ga. Wire Connector (supplied with receiver) (Figure 24).



5.9

Securely connect the Fan Yellow Wire to the Receiver Yellow (TO MOTOR) Wire using a 18 ga. Wire Connector (supplied with receiver) (Figure 25).



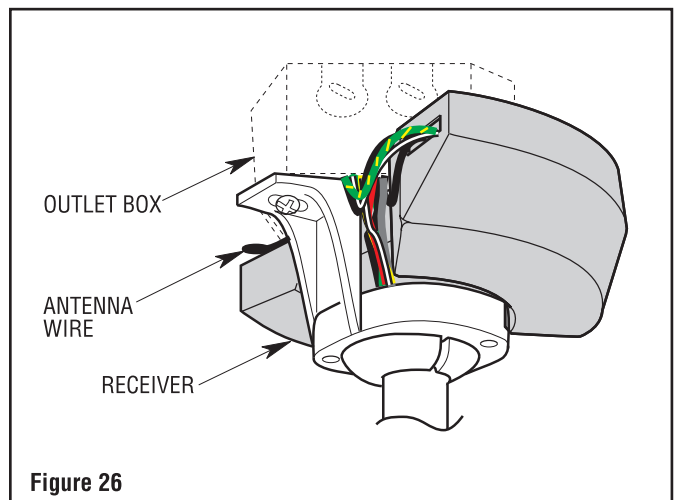
5.10

After Connections have been made, turn Wires and Connectors upward and carefully push them into the Outlet Box (Figure 26).

Position the Antenna Wire on top of the Receiver. Slide the Receiver completely onto the Hanger Ball, nestled in the Hanger Bracket (Figure 26).

⚠ WARNING

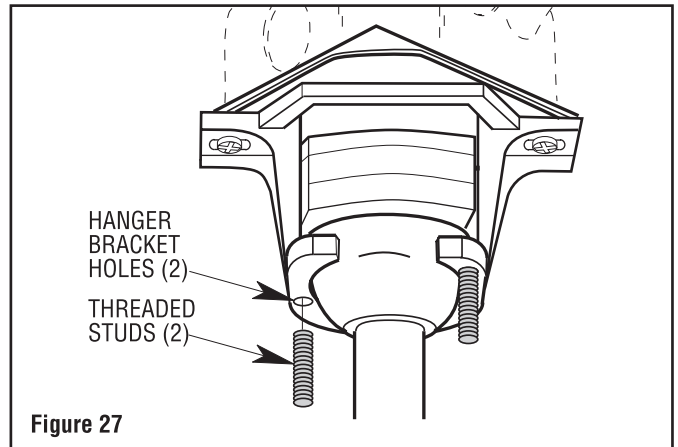
Check to see that all connections are tight, including ground, and that no bare wire is visible at the wire connectors, except for the ground wire. Do not operate fan until blades are in place. Noise and fan damage could result.



6. Final Assembly

6.1

Screw the Two Threaded Studs (supplied) into the Tapped Holes in the Hanger Bracket (Figure 27).



6.2

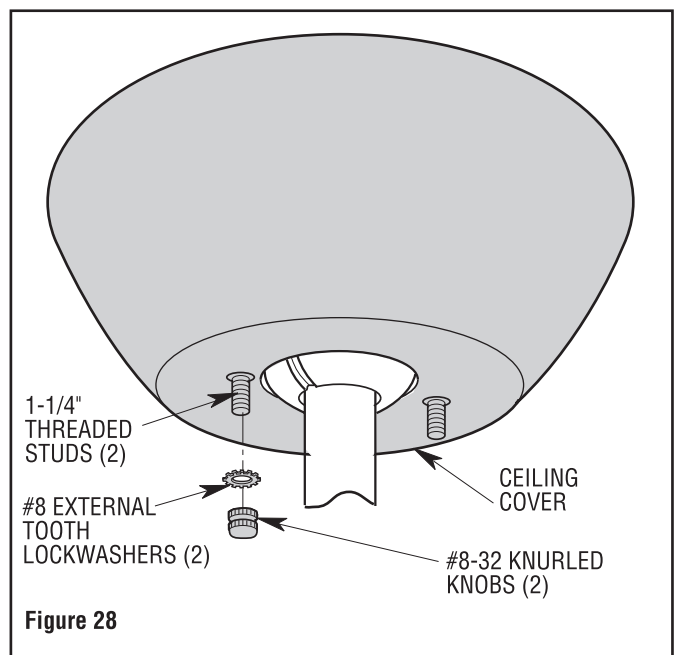
Lift the Ceiling Cover up to the Threaded Studs and turn until studs protrude through the holes in the Ceiling Cover (Figure 28).

Secure the Ceiling Cover in place by sliding Lockwashers (supplied) over the Threaded Studs and installing the two Knurled Knobs (supplied). (Figure 28).

Tighten the Knurled Knobs securely until the Ceiling Cover fits snugly against the ceiling and the hole in the Ceiling Cover is clear of the downrod.

⚠ WARNING

To avoid possible fire or shock, make sure that the electrical wires are completely inside the outlet box and not pinched between the ceiling cover and the ceiling.

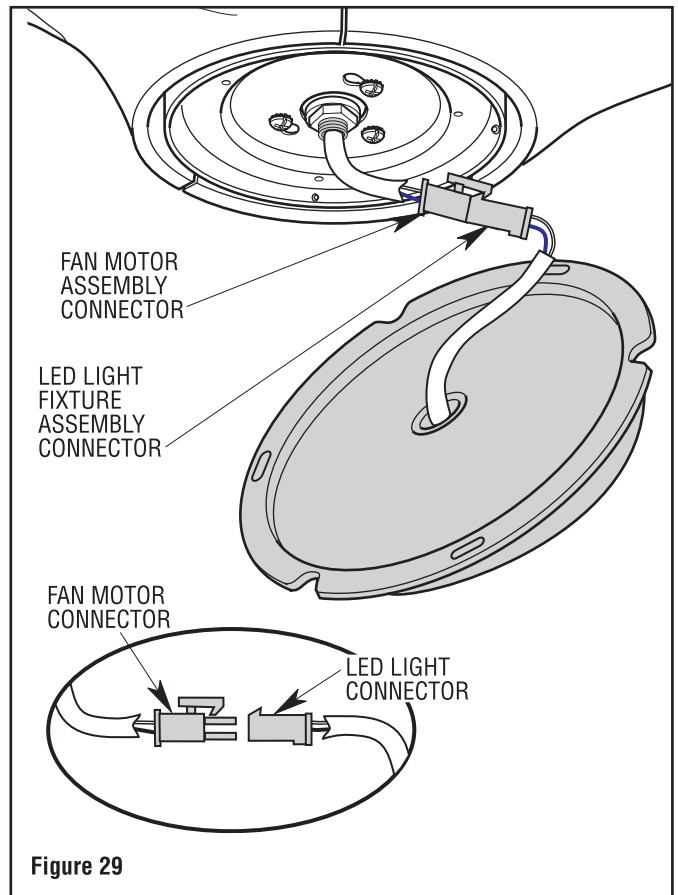


6. Final Assembly (Continued)

6.3

Engage the Fan Motor 2-Pin Wire Connector into the 2-pin Wire Connector of the LED Light Fixture Assembly (Figure 29).

The connection is complete when you hear a soft click.



6.4

Carefully tuck all the Wires and Connectors into the Light Kit Adapter.

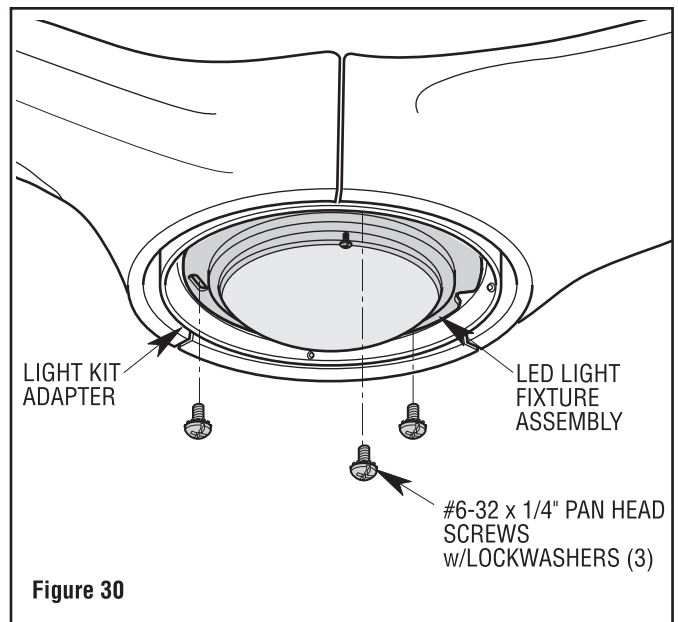
Position the LED Light Fixture Assembly onto the Light Kit Adapter, aligning the Three Holes.

NOTE: Verify that the wires and connectors are not trapped between the LED Light Fixture Assembly and the Light Kit Adapter.

Install and tighten the three #6-32 x 1/4" Pan Head Screws with Lockwashers (supplied in parts bag) to complete the installation of the LED Light Fixture Assembly (Figure 30).

WARNING

To avoid possible fire or shock, do not pinch wires between the Light Kit Adapter and the LED Light Fixture Assembly.

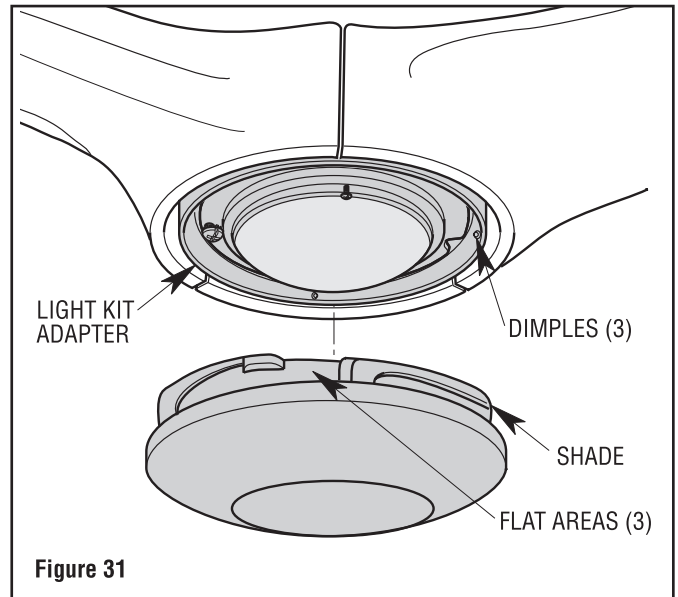


6. Final Assembly (Continued)

6.5

Place the Shade into the opening of the Light Kit Adapter, aligning the Three Flat Areas on the top edge of the Shade with the Three Raised Dimples on the Light Kit Adapter and turn the Shade Clockwise until it stops (Figure 31).

NOTE: Periodically check that the Shade is seated fully clockwise in the Light Kit Adapter.



7. Wall Control Procedures

7.1

Your Ceiling Fan/Light Control consists of Wall Mounted Transmitter and a Receiver located inside the Motor Assembly. The Control is designed to remotely operate your Ceiling Fan speed, light intensity and direction of rotation.

Code Switches in the Transmitter may be set in 32 different positions. If your Fan and Light turn ON and OFF without using your Control, you may be getting interference from other remote units such as garage door openers, car alarms or security systems. To remedy this situations, simply change the Code Switches in your Transmitter per the instructions of Section 7.2.

7.2

Your Wall Control has Code Switches which must be set in one of 32 possible code combinations (Figure 32). The five Levers (numbered 1, 2, 3, 4, and 5) on the Switches are factory-set in the ON (up) position. Change the Switch settings as follows:

NOTE: Do not duplicate the code of an existing Control of an installed Ceiling Fan within 100 feet.

Slide the five Switch Levers in the Wall Control to your choice of ON (up) or down positions. Use a ball-point pen or small screwdriver and slide the Levers firmly up or down.

The sixth Switch marked **ON** and **I** is for dimming Control of Lights: Set Switch to **ON** to allow for dimming of the lights. Set Switch to **I** for no dimming of the Lights.

When the power is restored after installation, push and hold the Fan OFF Button (⏻) for 3 to 5 seconds to set the code in the Receiver.

When the Switch is turned back ON, the Light and Fan will resume operation as they were prior to the Switch being turned OFF.

Preset Memory Feature: Your Ceiling Fan/Light Control is equipped with a preset memory feature. When the electricity supply to the Fan is switched OFF, the Control will remember the Light Intensity and Fan Speed.

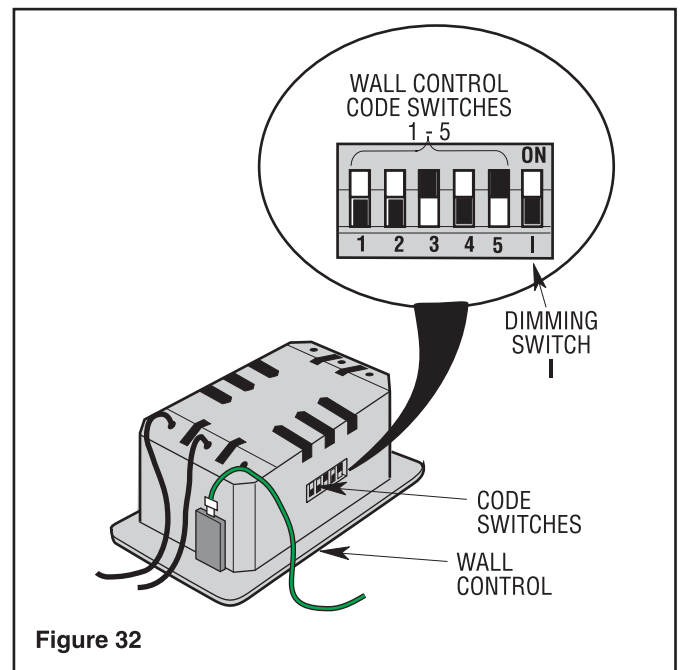


Figure 32

8. Wall Control Installation

⚠ WARNING

Turning off wall switch is not sufficient. To avoid possible electrical shock, be sure electricity is turned off at the main fuse or circuit breaker box before wiring. All wiring must be in accordance with National and Local codes and the ceiling fan must be properly grounded as a precaution against possible electrical shock.

⚠ CAUTION

To reduce the risk of electrical shock, disconnect the electrical supply circuit before installing the fan, light kit or receiver.

NOTE: Make all wiring connections using Wire Connectors (supplied). Make sure that all connections are tight, including ground, and that no bare wire is visible at the wire connectors, except for the ground wire.

8.1

Disconnect Electrical Power to the Branch Circuit at the Circuit Breaker or Fuse Box before attempting to install the Ceiling Fan Wall Control into the Wall Box.

8.2

NOTE: Electric connections should be in accordance with the National Electrical Codes and all Local Codes. Before starting, disconnect power to the circuit at the fuse box or circuit breaker panel.

Remove the Faceplate and Screws from the Existing Wall Switch. Pull Switch out from Wall Box (Figure 33).

Determine the "HOT" Wire and the "LOAD" Wire and disconnect these Wires from existing Control.

NOTE: Do not attempt to disconnect any Wires not already connected to Existing Control.

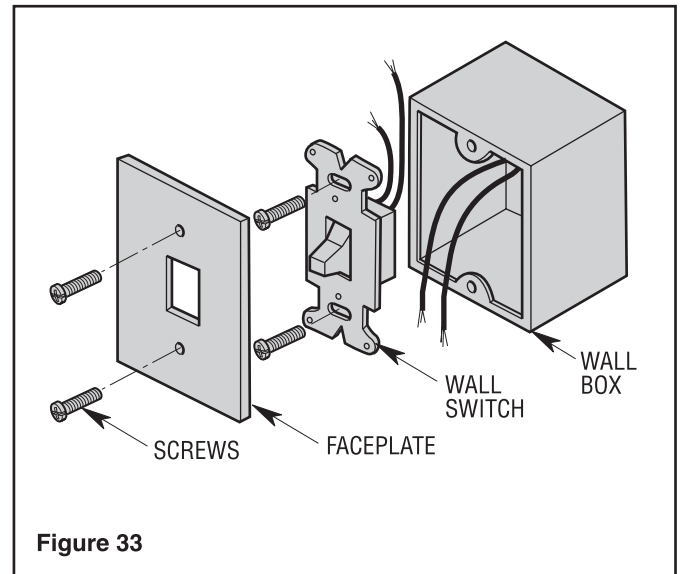


Figure 33

8. Wall Control Installation (Continued)

Skip to Section 8.4 if Using a 3-way Switch Installation.

SINGLE-POLE INSTALLATION



(One Fan Controlled by One Wall Control)
(See Figure 34).

⚠ WARNING

Turning off wall switch is not sufficient. To avoid possible electrical shock, be sure electricity is turned off at the main fuse or circuit breaker box before wiring. All wiring must be in accordance with National and Local codes and the ceiling fan must be properly grounded as a precaution against possible electrical shock.

8.3

Disconnect Electrical Power to the Branch Circuit at the Circuit Breaker or Fuse Box before attempting to install the Ceiling Fan Wall Control into the Wall Box.

Before installing Wall Control, place Wall Control in "OFF" mode by pushing "ON/OFF" Switch () to the "OFF" () position.

⚠ WARNING

Do not connect any neutral (white) wire to this control. Incorrect wiring will damage this control.

Connect the Wall Control Black Wire labeled "TO POWER SUPPLY" to the "HOT" 120V AC Supply Source Wire. Securely connect Wires with Wire Connector, supplied (Figure 34).

Connect the Wall Control Black Wire labeled "TO FAN" to the "LOAD" Black Wire in Wall Box. Securely connect Wires with Wire Connector, supplied (Figure 34).

Connect the Wall Control Green Ground Wire to the Supply Ground Conductor (this may be a Bare Copper Wire or Wire with Green Colored Insulation). Securely connect Wires with Wire Connector, supplied (Figure 34).

⚠ WARNING

Check to see that all connections are tight and that no bare wires are visible at the wire connectors.

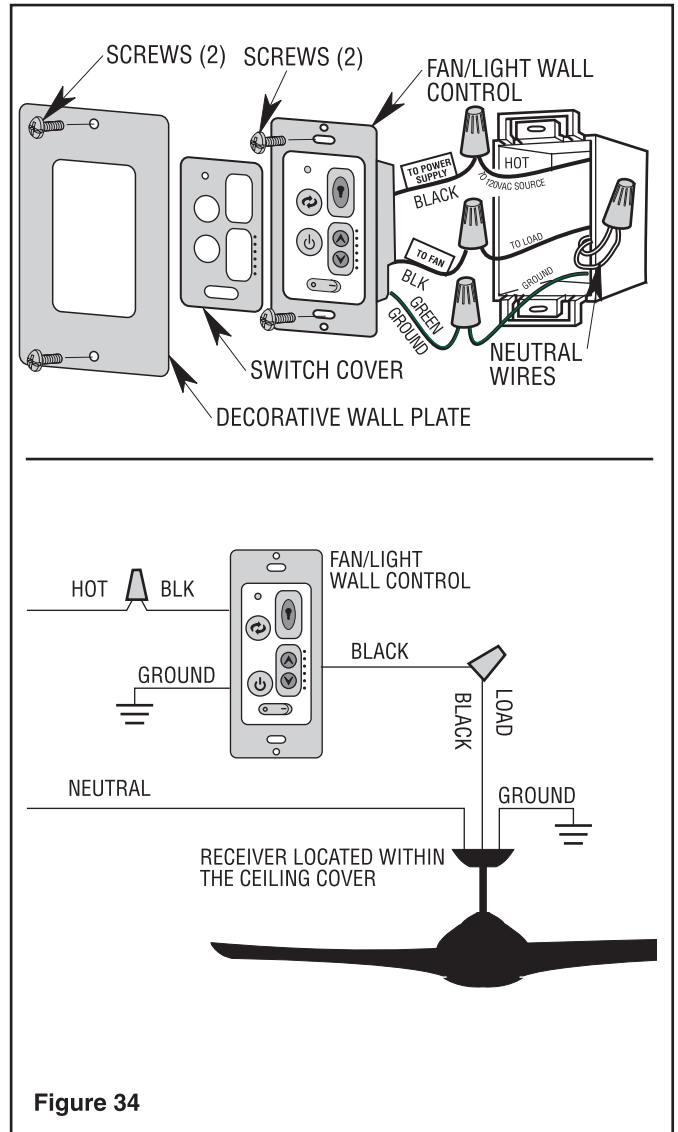


Figure 34

Screw Wall Control into Wall Box using the supplied Screws. Leave Wall Control in "OFF" mode until Fan installation is completed.

The Wall Control is supplied with a White, Ivory, and Almond color Switch Covers. Choose the finish that best suits your needs and snap the Cover onto the Wall Control (Figure 34).

Install Decorative Wall Plate using the two Screws supplied with Wall Plate. Leave the Wall Control in "OFF" mode until Fan installation is completed (Figure 34).

8. Wall Control Installation (Continued)

3-WAY INSTALLATION

(One Fan Controlled by Two Different Wall Controls)
(See Figures 35 and 36).

⚠ WARNING

Turning off wall switch is not sufficient. To avoid possible electrical shock, be sure electricity is turned off at the main fuse or circuit breaker box before wiring. All wiring must be in accordance with National and Local codes and the ceiling fan must be properly grounded as a precaution against possible electrical shock.

⚠ WARNING

Do not connect any neutral (white) wire to this control. Incorrect wiring will damage this control.



8.4

Disconnect Electrical Power to the Branch Circuit at the Circuit Breaker or Fuse Box before attempting to install the Ceiling Fan Wall Control into the Wall Box.

At All Wall Box locations, remove Faceplates and Screws from Existing Controls. Pull Controls out from Wall Boxes and determine which Wall Box contains the "HOT" Wire and which Wall Box contains the "LOAD" Wire. Also, identify Traveler Wires which are common to both Wall Boxes. Disconnect Wires from Existing Controls only.

NOTE: Do not attempt to disconnect any wires not already connected to existing Control.

NOTE: Make all wiring connections using wire connectors (supplied). Make sure that all connections are tight, including ground, and that no bare wire is visible at the wire connectors, except for the ground wire.

Before installing the First Wall Control, place the Wall Control in "OFF" mode by pushing "ON/OFF" Switch () to the "OFF" () position.

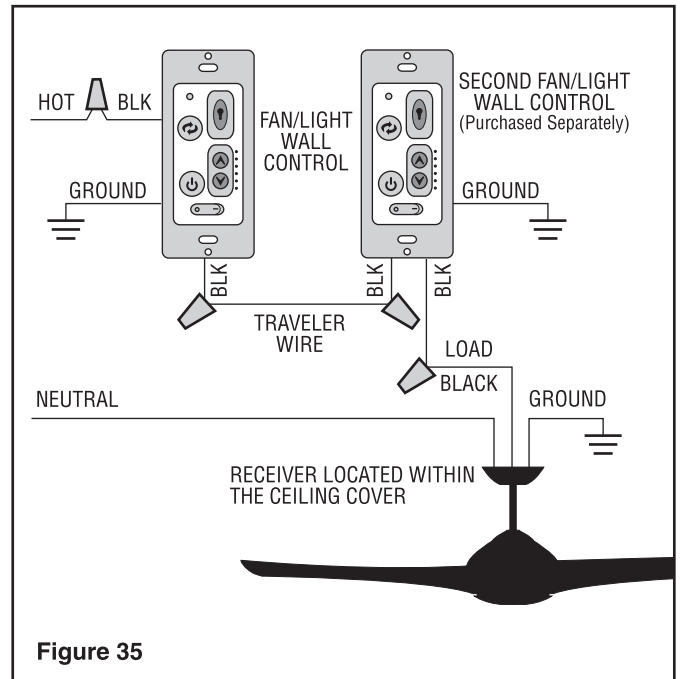


Figure 35

Install the First Wall Control in the Wall Box containing the "HOT" Wire.

Connect the First Wall Control Black Wire labeled "TO POWER SUPPLY" to the "HOT" 120V AC Supply Source Wire. Securely connect the Wires with Wire Connector, supplied (Figure 35).

Connect the First Wall Control Black Wire labeled "TO FAN" to both Traveler Wire(s) in the Wall Box and secure with Wire Connector, supplied (Figure 35).

Connect the First Wall Control Green Ground Wire to the Supply Ground Conductor (this may be a bare wire or wire with Green Colored insulation). Securely connect Wires with Wire Connector, supplied (Figure 35).


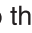
⚠ WARNING

Check to see that all connections are tight and that no bare wires are visible at the wire connectors.

8. Wall Control Installation (Continued)

8.5

Disconnect Electrical Power to the Branch Circuit at the Circuit Breaker or Fuse Box before attempting to install the Ceiling Fan Wall Control into the Wall Box.

Before installing the Second Wall Control, place the Wall Control in "OFF" mode by pushing "ON/OFF" Switch () to the "OFF" () position.

Install the Second Wall Control (purchased separately) into the Wall Box containing the "LOAD" Wire.

Connect the Second Wall Control Black Wire labeled "TO POWER SUPPLY" to the Traveler Wire(s) already connected to the Black Wire (in the other wall box). Secure with Wire Connectors, supplied (Figure 36).

Connect Second Wall Control Black Wire labeled "TO FAN" to the "LOAD" (Black) Wire and secure with Wire Connector, supplied (Figure 36).

Connect the Second Wall Control Green Ground Wire to the Supply Ground Conductor (this may be a bare wire or wire with Green Colored insulation). Securely connect Wires with Wire Connector, supplied (Figure 36).

Screw the Second Wall Control onto the Wall Box using the supplied Screws. Leave the Wall Control in "OFF" mode until Fan installation is completed.

NOTE: Retrofit 3-way installations are likely to include two traveler wires between the two wall boxes. In new construction, only one traveler wire is required (Figure 36).

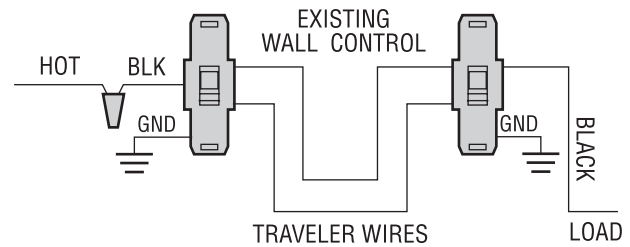
WARNING

Check to see that all connections are tight and that no bare wires are visible at the wire connectors.

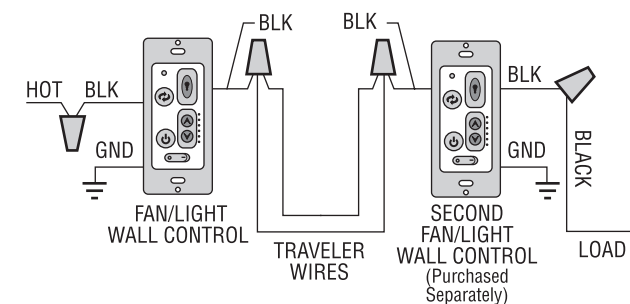
All Wall Controls are supplied with a White, Ivory, and Almond color Switch Covers. Choose the finish that best suits your needs and snap the Covers onto the Wall Controls (Figure 36).

Install Decorative Wall Plates using the two Screws provided with each Wall Plate. Leave the Wall Control in "OFF" mode until Fan installation is completed (Figure 36).

STANDARD WIRING FOR EXISTING 3-WAY CONTROLS



3-WAY WIRING DIAGRAM: RETROFIT



ALL WALL CONTROLS

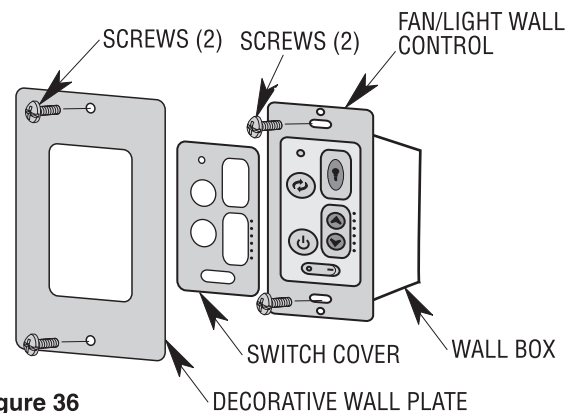


Figure 36

9. Programming the Receiver Operating Frequency & High Speed Conditioning of Fan Control

-- Important - Read This Section Carefully and Follow the High Speed Conditioning Instructions Closely --

PROGRAMMING THE RECEIVER OPERATING FREQUENCY & HIGH SPEED CONDITIONING OF FAN CONTROL

IMPORTANT: Ceiling Fan Blades **MUST** be installed before High Speed Conditioning can begin.


NOTE: If using a 3-way Switch Installation, ensure that both Wall Controls are using the same Switch Code.

9.1

Flip the Wall Control ON/OFF Switch () to the "OFF" () position.

Restore Electricity to the Ceiling Fan Branch Circuit at the Circuit Breaker or Fuse Box.

Flip the Wall Control ON/OFF Switch to "ON" () position.

Within one minute of flipping the Switch to "ON", push and hold the FAN POWER OFF Button () for 3 to 5 seconds to set the Code in the Receiver. The Ceiling Fan Lights (if installed) will blink to indicate the Wall Control Code has been paired with the Receiver.

IMPORTANT: Immediately after successful pairing, the Ceiling Fan will automatically begin High Speed Conditioning of the Motor. During conditioning, the Electronic Motor Control Software is calculating Speeds for the 2nd through 5th Speed settings based on the Blades that were installed on the Fan.

9.2

The Fan will run for approximately 2 minutes in the Upward Direction then Reverse Direction to down flow and run an additional 2 minutes. When Conditioning is complete, the Fan will come to complete stop.

IMPORTANT: Do not interrupt the Conditioning until the Fan comes to a complete stop in approximately 5 minutes. All functions of the Control will be rejected during Conditioning.

9.3

High Speed Conditioning is now complete.

9.4

If programming is unsuccessful, retry the above instructions after cycling the Wall Control ON/OFF Switch to restart the 1 minute programming time period.

9.5

If still unsuccessful, shut off the Electricity at the Fuse Box or Breaker Panel and change the Wall Control Frequency (Section 7.2, Page 19). After changing the Frequency Settings, repeat instructions 9.1 - 9.5 of this section within one minute of restoring the Electricity.



10. Using Your Ceiling Fan

⚠ WARNING

Fan installation must be completed, including the installation of the fan blades, before testing the fan control.


Your Wall Control has full control of your Fan and Light (Figure 37).


10.1

Flip the Wall Control ON/OFF Switch () to the "OFF" () position. Power will be turned OFF to the Fan and Light.

Flip the Wall Control ON/OFF Switch to "ON" () position. Power will be restored to the Fan and Light.



NOTE: When the switch is turned back ON the light and fan will resume operation as they were prior to the switch being turned OFF.


To turn Ceiling Fan OFF: Press and release the FAN POWER OFF () Button.


To turn the Fan ON and to Increase the Fan Speed: Press the () Button once for each of the 6 Speeds.

To turn the Fan ON and to Decrease the Fan Speed: Press the () Button once for each of the 6 Speeds.

The LED Display will light up to indicate the New Speed selected.

NOTE: If the fan is OFF, the first time the () or () button is pressed, it will turn the fan ON at the speed previously selected.

To turn the Light ON/OFF: Press and release the () Button. The Light will turn ON at the Light Intensity previously selected. To change the Intensity, hold the Button down. The Intensity will go up and down while the Button is held. Release the Button at the desired Intensity.

If Airflow is desired in the opposite direction: Press the () Button on the Wall Control. The Fan must be operating at any Speed for the Reverse Button to function. The Blades will turn in the Opposite Direction and Reverse the Airflow.

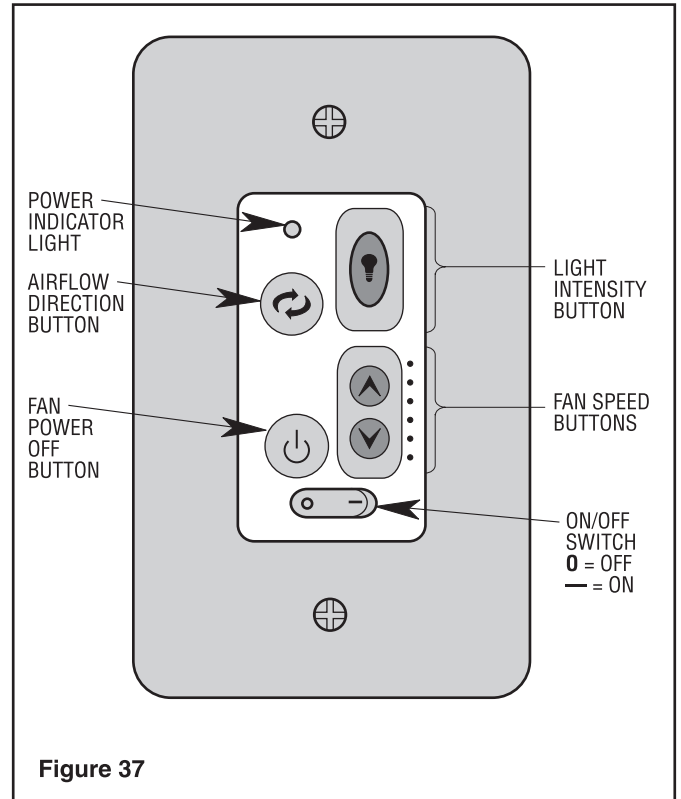


Figure 37

NOTE:

During Summer Months: run the Fan Counter-Clockwise, as you look up at it, to direct airflow downward.

During the Winter Months: run the Fan Clockwise, as you look up at it, to direct airflow upward.

NOTE: For 3-way Installation: BOTH wall controls ON/OFF switch must be in the "ON" position for either control to function. With both wall controls "ON", the fan and light can be operated as described from either wall control.

NOTE: If your fan and light go ON and OFF without using your control, you may be getting interference from other remote units such as garage door openers, car alarms or security systems. To remedy this situations, simply change the transmitter code per 7.2 Section.

11. Maintenance

IMPORTANT CARE INSTRUCTIONS for your Ceiling Fan

Periodic cleaning of your new Ceiling Fan is the only maintenance that is needed.

When cleaning, use only a soft brush or lint free cloth to avoid scratching the finish.

Abrasive cleaning agents are not required and should be avoided to prevent damage to finish.



WARNING

Do not use water when cleaning your ceiling fan. It could damage the motor or the blades and create the possibility of an electrical shock.

12. Energy Efficient Use of Ceiling Fans

Ceiling Fan performance and energy savings rely heavily on the proper installation and use of the Ceiling Fan. Here are a few tips to ensure quality and product performance.

Choosing the Appropriate Mounting Location.

Ceiling Fans should be installed, or mounted, in the middle of the room and at least 7 feet above the floor and 18 inches from the walls. If ceiling height allows, install the fan 8 - 9 feet above the floor for optimal airflow.

Using the Ceiling Fan Year Round. In the summer, use the Ceiling Fan in the counter-clockwise direction. The airflow produced by the Ceiling Fan creates a wind-chill effect, making you "feel" cooler. Select a fan speed that provides a comfortable breeze, lower speeds consume less energy. In the winter, reverse the motor and operate the Ceiling Fan at low speed in the clockwise direction. This produces a gentle updraft, which forces warm air near the ceiling down into the occupied space. Remember to adjust your thermostat when using your Ceiling Fan - additional energy and dollar savings could be realized with this simple step!

Turn Off When Not in the Room. Ceiling Fans cool people, not rooms. If the room is unoccupied, turn OFF the Ceiling Fan to save energy.

INSTRUCTION TO THE USER (if device contains a digital device)

This equipment has been tested and found to comply with the limits for a class B digital device, pursuant to part 15 of the FCC Rules. These limits are designed to provide reasonable protection against harmful interference in a residential installation. This equipment generates, uses and can radiate radio frequency energy and if not installed and used in accordance with the instructions, may cause harmful interference to radio communications. However, there is no guarantee that interference will not occur in a particular installation. If this equipment does cause harmful interference to radio or television reception, which can be determined by turning the equipment off and on, the user is encouraged to try to correct the interference by one or more of the following measures:

- Reorient or relocate the receiving antenna.
- Increase the separation between the equipment and receiver.
- Connect the equipment into an outlet on a circuit different from that to which the receiver is connected.
- Consult the dealer or an experienced radio/TV technician for help.



This equipment has been certified to comply with the limits for a class B computing device, pursuant to FCC Rules. In order to maintain compliance with FCC regulations, shielded cables must be used with this equipment. Operation with non-approved equipment or unshielded cables is likely to result in interference to radio and TV reception. The user is cautioned that changes and modifications made to the equipment without the approval of manufacturer could void the user's authority to operate this equipment.

This Class B digital apparatus meets all requirements of the Canadian Interference-Causing Equipment Regulations.

13. Troubleshooting

WARNING

FOR YOUR OWN SAFETY TURN OFF POWER AT FUSE BOX OR CIRCUIT BREAKER BEFORE TROUBLESHOOTING YOUR FAN.

TROUBLE	PROBABLE CAUSE	SUGGESTED REMEDY
1. Fan will not start.	1. Fuse or circuit breaker blown. 2. Loose power line connections to the fan. 3. Fan/Light wall control is OFF. 4. Wall control is not programmed.	1. Check main and branch circuit fuses or circuit breakers. <div style="border: 1px solid black; padding: 5px; text-align: center;">  WARNING Make sure main power is turned OFF. </div> 2. Check line power connections to fan. 3. Turn ON fan/light wall control. 4. Program the wall control and receiver per the Owner's Manual instructions.
2. Fan sounds noisy.	1. Blades not attached to fan. 2. Screws securing fan motor to motor hub are loose. 3. Screws holding blades to motor are loose. 4. The shade is loose. 5. Hanger bracket and/or ceiling outlet box is not securely fastened.	1. Attach blades to fan before operating. <div style="border: 1px solid black; padding: 5px; text-align: center;">  WARNING Make sure main power is turned OFF. </div> 2. Check to make sure the screws which attach the blades to the motor are tight. 3. Tighten screws securely. 4. Tighten the shade securely. 5. Tighten the hanger bracket screws to the outlet box, and/or secure outlet box.
3. Fan wobbles excessively.	1. Screws securing fan blades to motor are loose. 2. Set screw in motor coupler is loose. 3. Fan blades out of balance. 4. Hanger bracket and/or ceiling outlet box is not securely fastened. 5. Set screw in hanger ball/downrod assembly is loose. 6. Screws securing fan motor to the motor hub are loose.	1. Check to be sure screws which attach the fan blade to the motor are tight. 2. Raise coupler cover and tighten the set screw securely. 3. Interchanging an adjacent (side by-side) blade pair can redistribute the weight and result in smoother operation. Or use supplied balancing kit to balance blades. 4. Tighten the hanger bracket screws to the outlet box, and/or secure outlet box. 5. Tighten the set screw in the hanger ball/downrod assembly. 6. Check to be sure the screws which attach the motor to the motor hub are tight.
4. Light fixture will not illuminate.	1. Loose electrical connectors.	1. Shut off the branch circuit electricity at the fuse box or breaker panel and check the electrical connectors for proper installation.