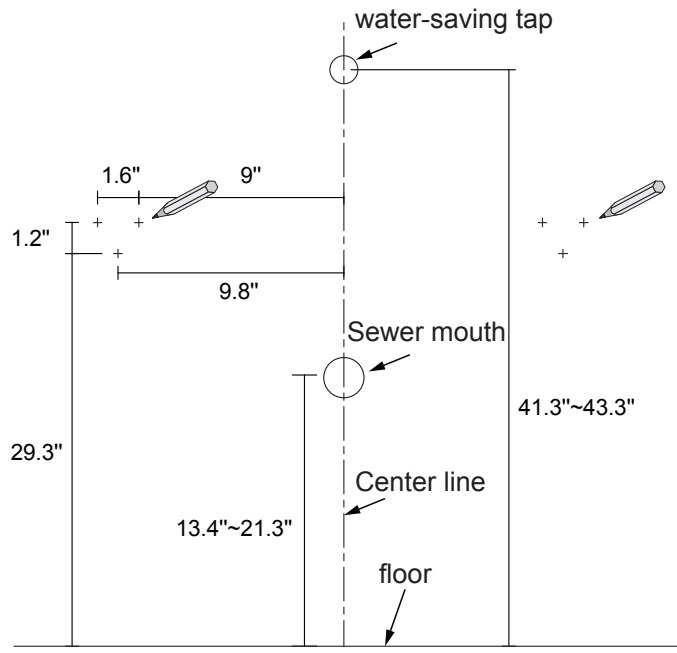
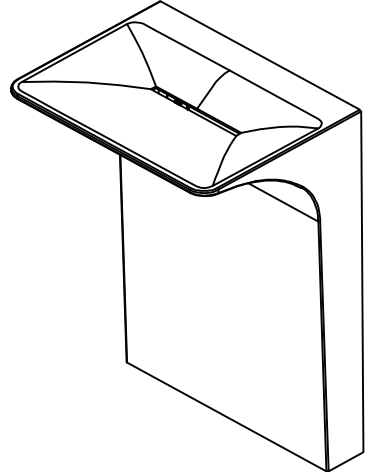
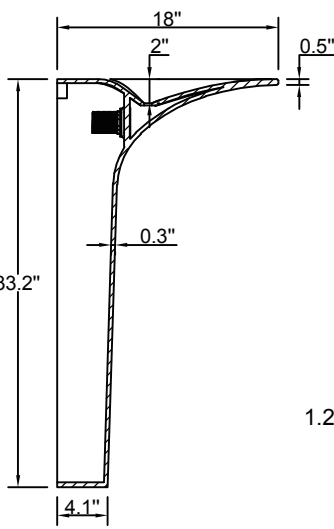
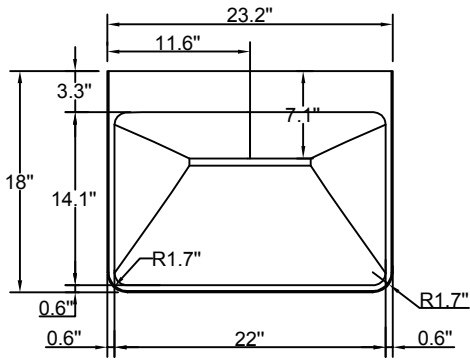
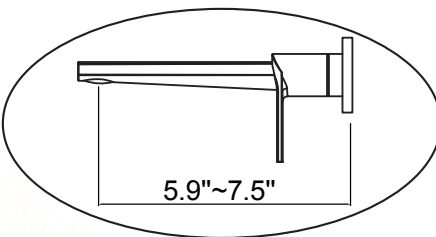


Size unit: inch



Refer to installation position (fine-tune according to site conditions and actual column basin size)

- 
flexible pipe
x1
- 
iron sheet
x2
- 
setscrew
x6
- 
sandpaper
x1
- 
cloth
x1



Reference faucet length



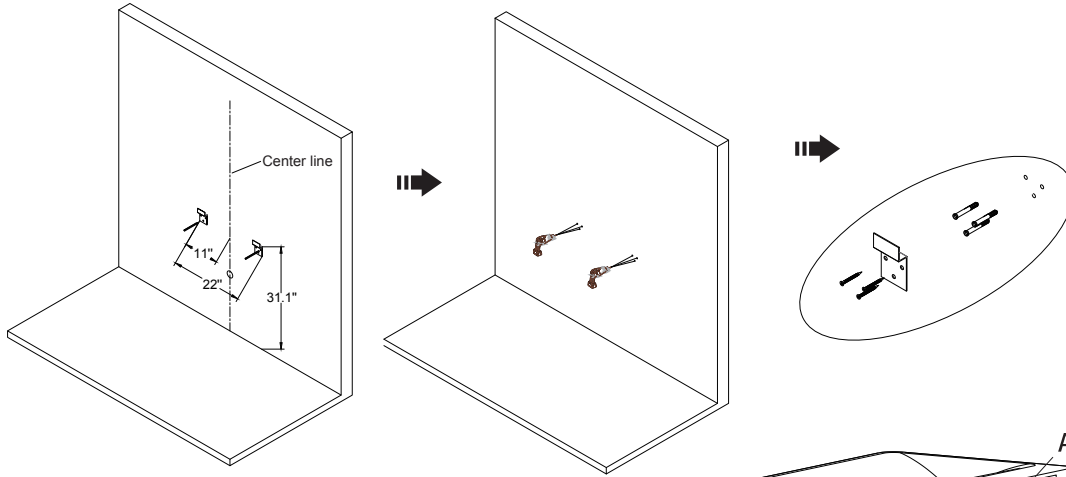
Please note: due to the unique design of the washbasin, we suggest that you use a water-saving faucet with mild water flow, such as a spray faucet, to prevent splashing when using it.

Matte material daily cleaning care 1. Slight stains.
 ① Washing powder dipped in a little water.
 ② Add a small amount of neutral detergent.
 ③ Scrub with a semi-wet rag.

2. Serious stains can be removed by gently polishing with 2000 # fine sandpaper and water (because the artificial stone matte product is made of a whole body material, so polishing inside and outside will not affect the product and use).

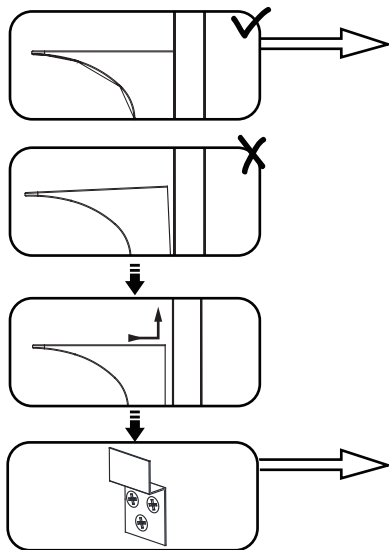
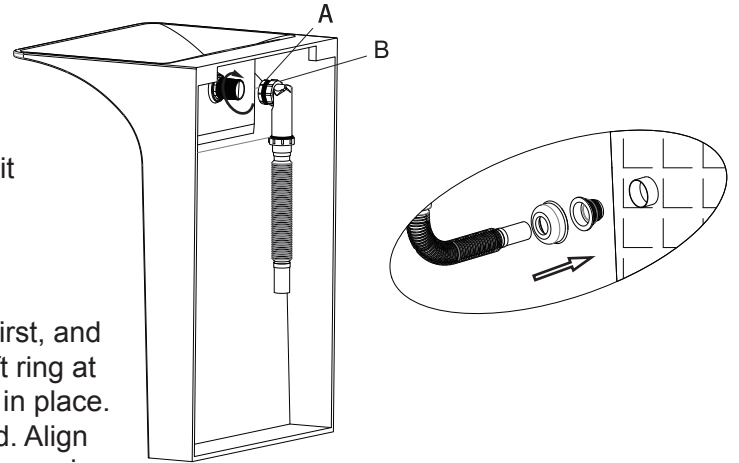


Scan the QR code to watch the installation steps video

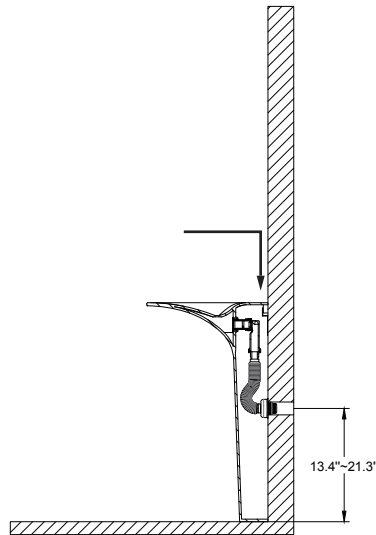


1 Measure and mark the specific size of the punching position. Punch the hole according to the data in the above figure, with an aperture of 0.3inch and a depth of about 2.5inch, and fix it with an expansion tube and iron sheet.

2 Tighten the A nut of the sewer pipe first, and then tighten the B nut. Install the soft ring at the outlet of the wall drain and put it in place. Put the back cover on the hose head. Align the elongated bellows with the inner opening of the soft ring and push it in place. Push the plastic cover in place.



3 Pick up the column basin about 2inch from the ground, push it to the wall, and press it down to adjust the position.



4 After the column basin is pushed into place, the basin surface is leveled, and the glass glue is applied to the edge of the column basin against the wall, and the installation is completed.

