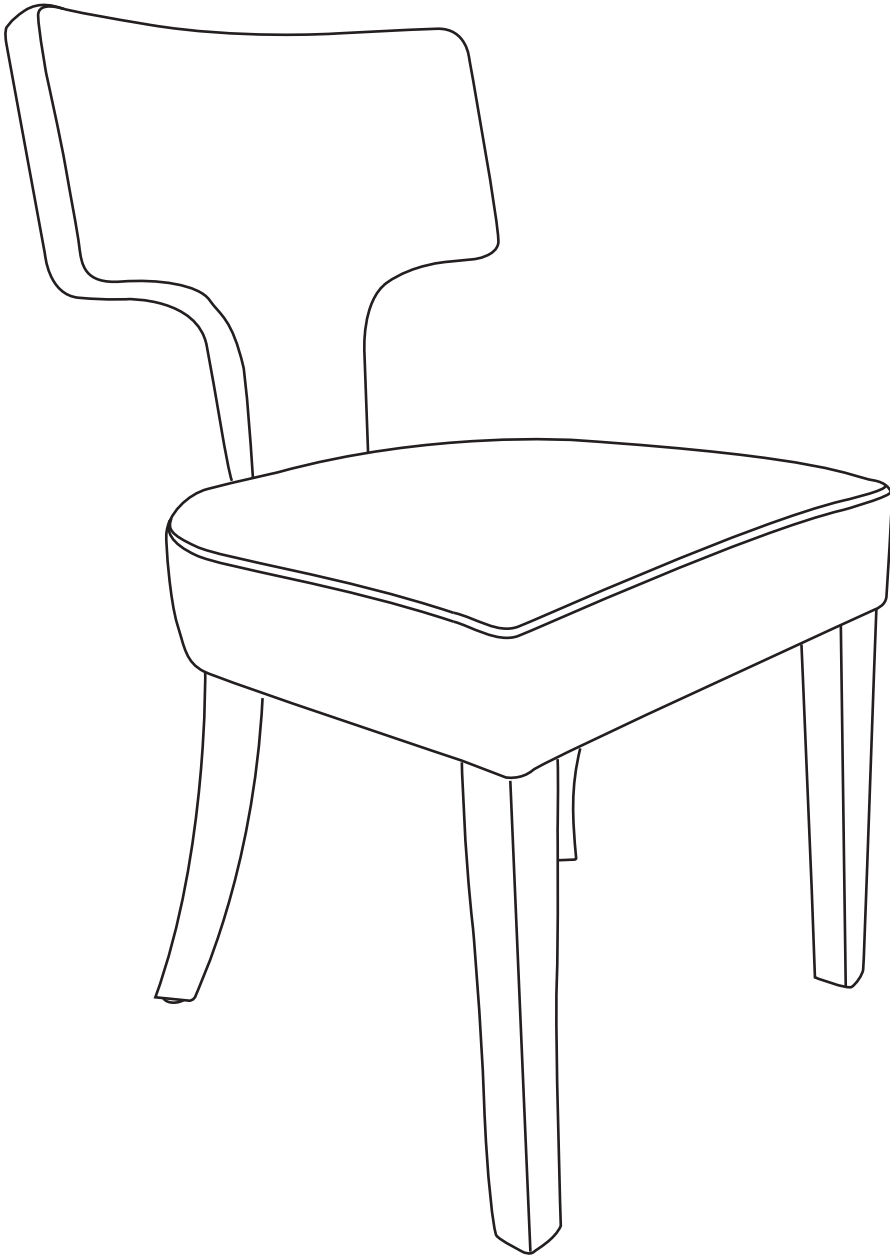


ASSEMBLY INSTRUCTIONS



WARNING



Please read the instructions carefully and follow the assembly steps.

Do not tighten bolts or screws completely until all hardware is lined up and inserted into the holes.

Do not over-tighten screws and bolts to avoid stripping the hardware or cracking the item.

Assemble your item on a flat, carpeted area, with plenty of space to work. This will prevent damage and scratches to your floors or the item while you're assembling the product.

Keep all components and packaging out of reach of children or animals to avoid risk of choking or suffocation.

ASSEMBLY PARTS AND TOOL



BEFORE YOU GET STARTED. A FEW POINTERS:

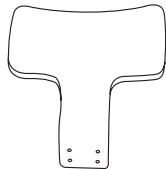


Please open the Seat Cushion bottom and take out all accessories before installation.



Please use the included wrench instead of an ELECTRIC HAND DRILL in case of damage to the chair leg.

1



Back cushion *1

2



Seat *1

3



Front legs *2

4



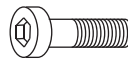
Back legs *2

A



Bolt M8*60mm*8

B



Bolt M8*50mm*4

C



Flat Washer *12

D



Spring Washer *12

E



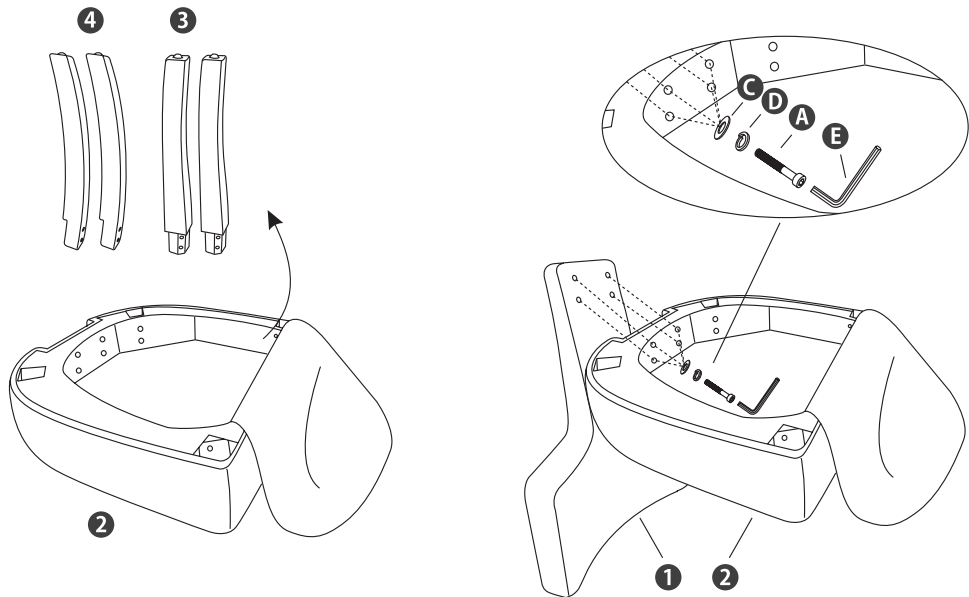
Wrench *1

ASSEMBLY INSTRUCTIONS

STEP 1:



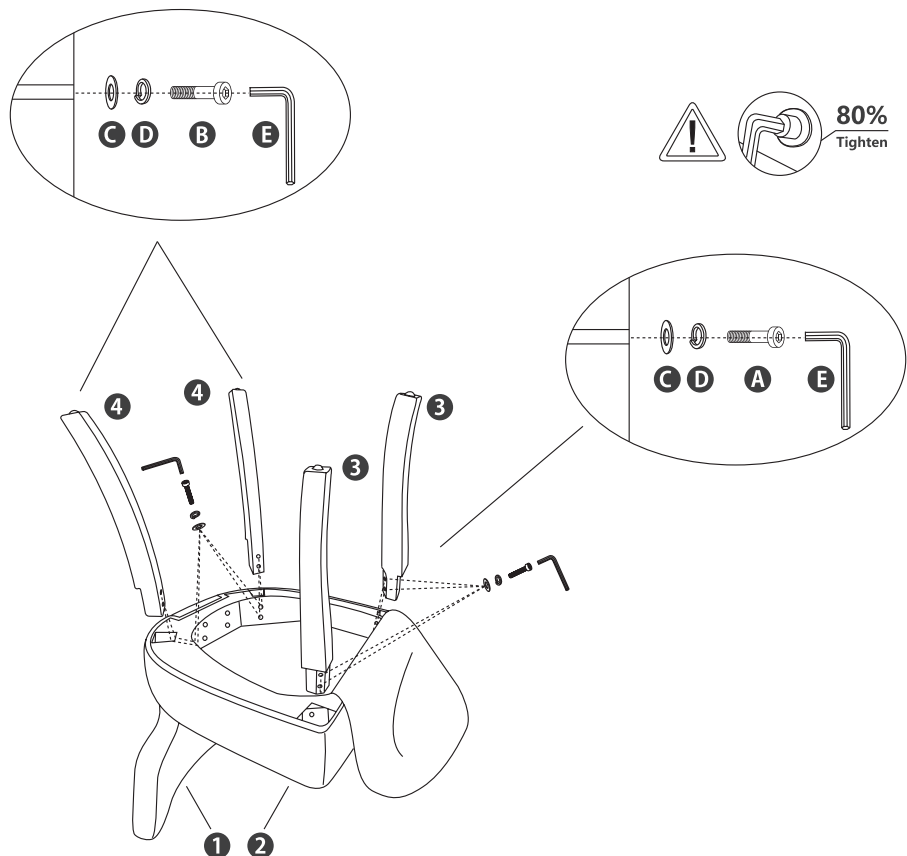
- A**  Bolt M8*60mm*4
- C**  Flat Washer *4
- D**  Spring Washer *4
- E**  Wrench *1



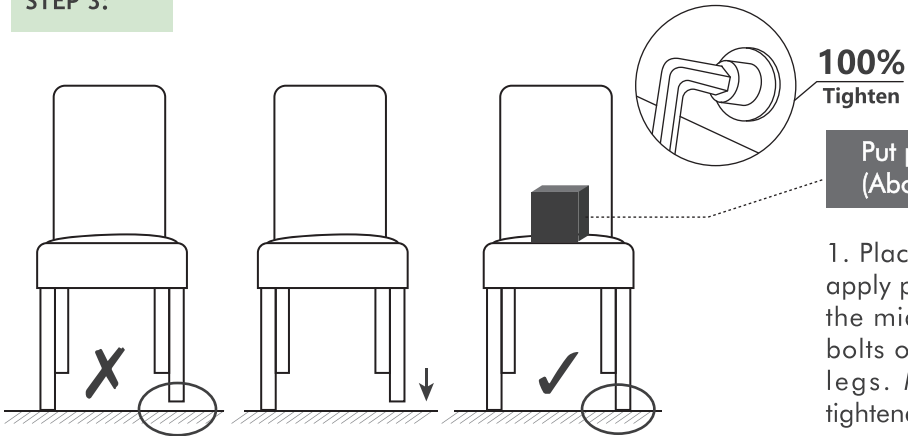
STEP 2:



- A**  Bolt M8*60mm*4
- B**  Bolt M8*50mm*4
- C**  Flat Washer *8
- D**  Spring Washer *8
- E**  Wrench *1



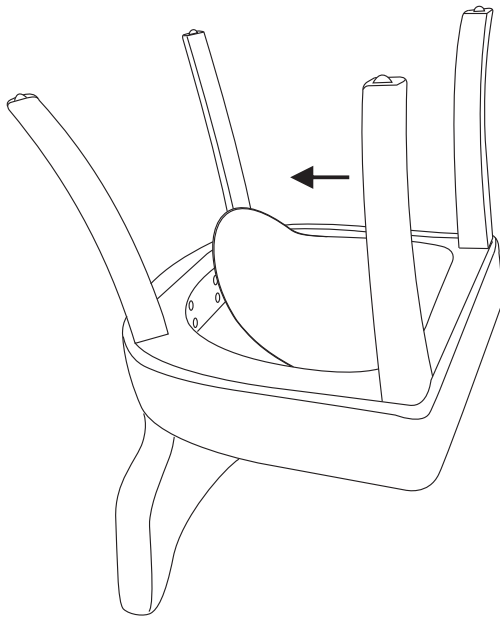
STEP 3:



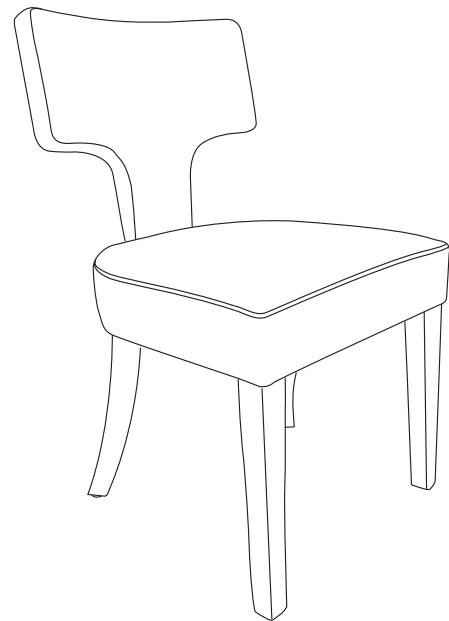
Put pressure on the seat.
(About 44lbs/20kg)

1. Place the chair on a flat surface and apply pressure to the seat. Firstly tighten the middle bolt on the back, then both bolts on the sides, and finally the front legs. Make sure all bolts are fully tightened before using the chair.

STEP 4:



STEP 5:



Your chair assembly is complete!

CARING FOR YOUR ITEM

Indoor use only

Not contract grade.

Clean using a non-abrasive cloth and a mild cleaner.

Never use harsh chemicals, as they could damage the finish or integrity of the item.