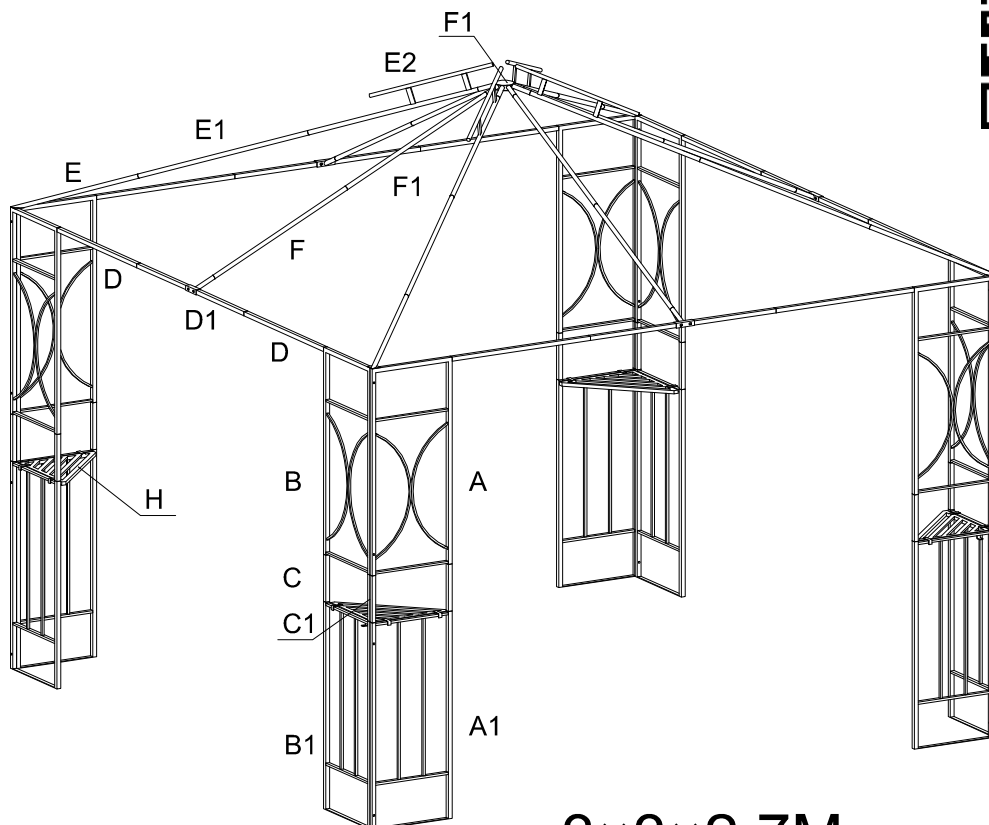


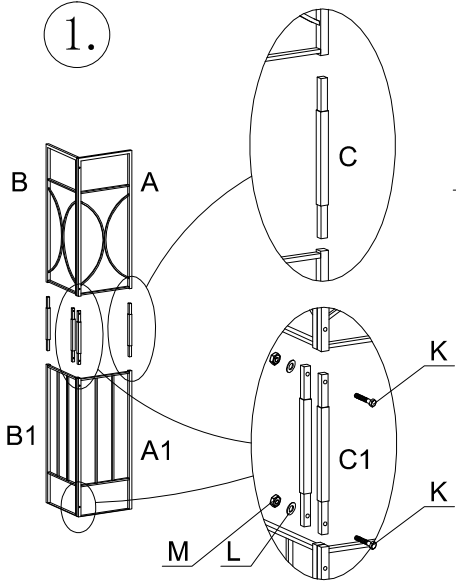
NO.	COMPONENT	QTY	NO.	COMPONENT	QTY
A		4	G		4
A1		4	H		4
B		4	I		1
B1		4	J	M6x30	8
C		8	K	M6x45	16
C1		8	L		24
D		8	M		24
D1		4	N		8
E		4	O		2
E1		4	P		1
E2		4	Q		4
F		4			
F1		4			

Assembly video please scan the QR code .

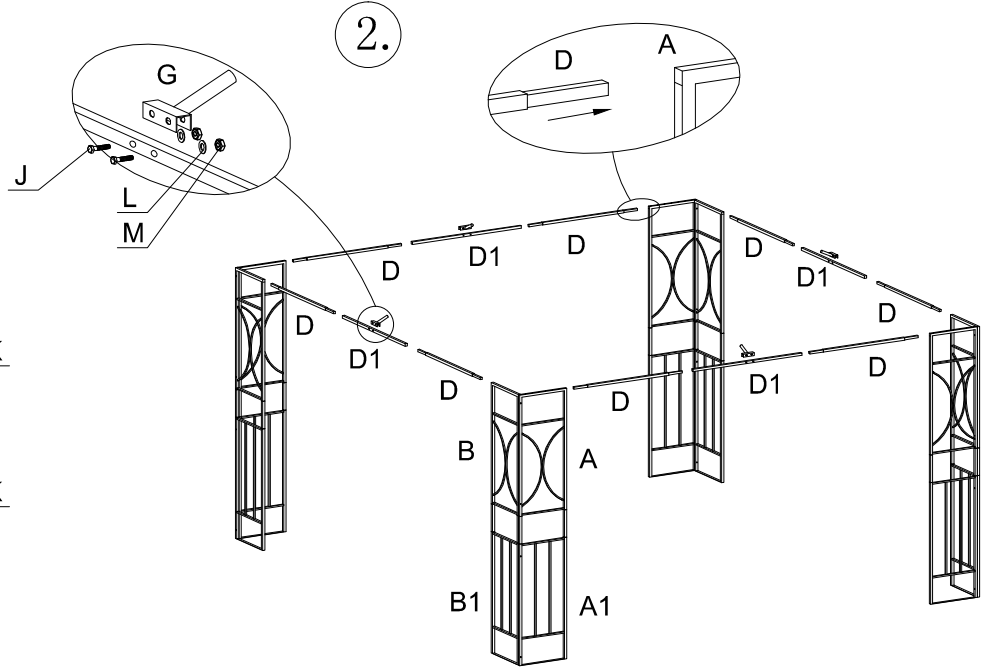


3x3x2.7M

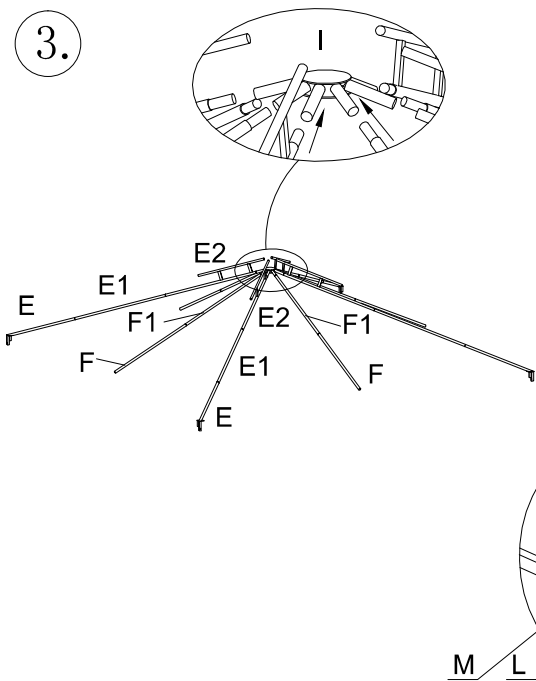
1.



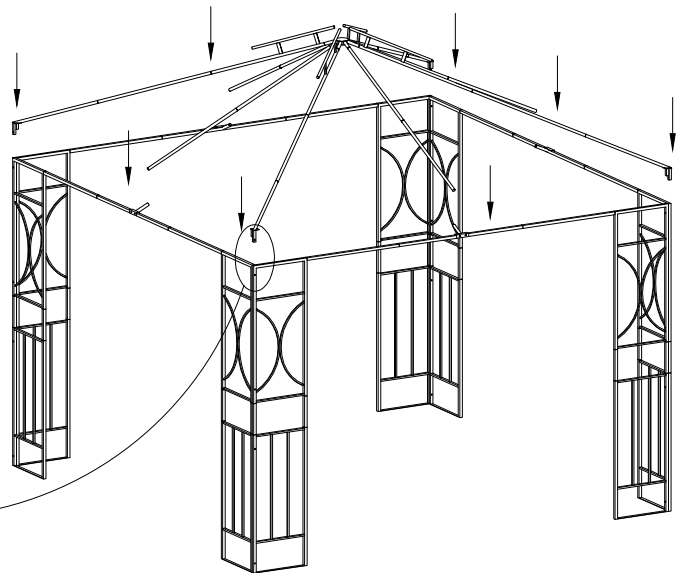
2.



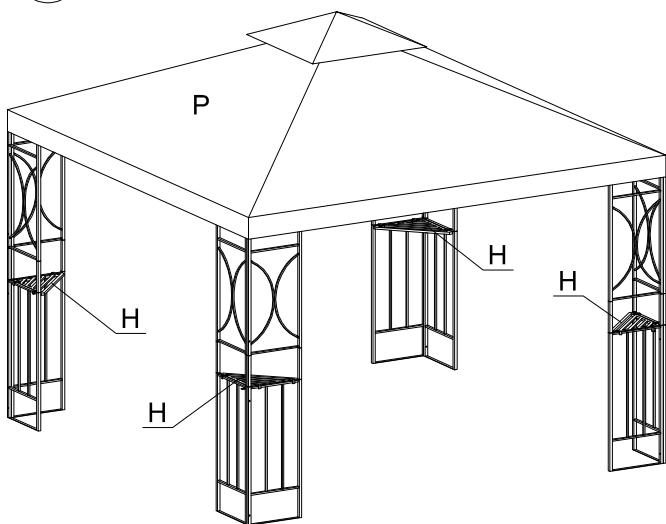
3.



4.



5.



6.

