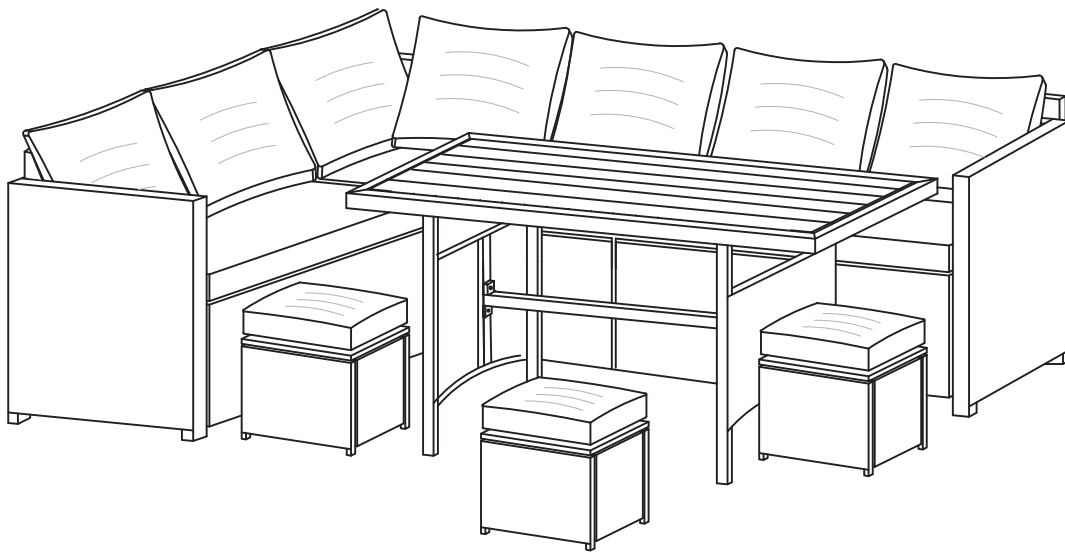


PE Rattan Furniture Set Assembly Instructions

OT003--box D



Attention




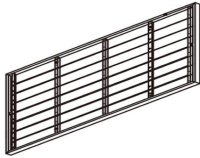
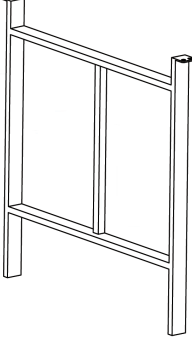
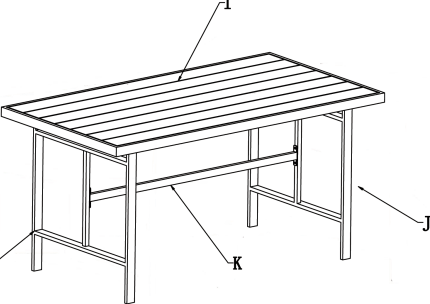

Thanks for choosing our product.

1. There will be four boxes in total for this whole product. Before assembling, please check you receive all the parts listed below. If there is any missing or damaged part, or if you have any question, please feel free to contact our service team for help.
2. Two persons are recommended to assemble the set.
3. Recommend to use waterproof furniture cover for entire furniture set when it is used outdoor to keep them longer lifetime.
4. Sofa cushion covers can be removed and cleaned up by cleaner when there are stains.
5. If the screw holes cannot be aligned, try loosening the screws on the other side.

Please kindly check parts list and follow the assembly guide to install your furniture set.
Any problems, please feel free to contact us.

WhatsApp



Package D Parts List			I	J
1  M6x15mm 12PCS	4  M6 12PCS	6  M6 1PC	 1PC	 2PCS
			 1PC	
Table				

Table

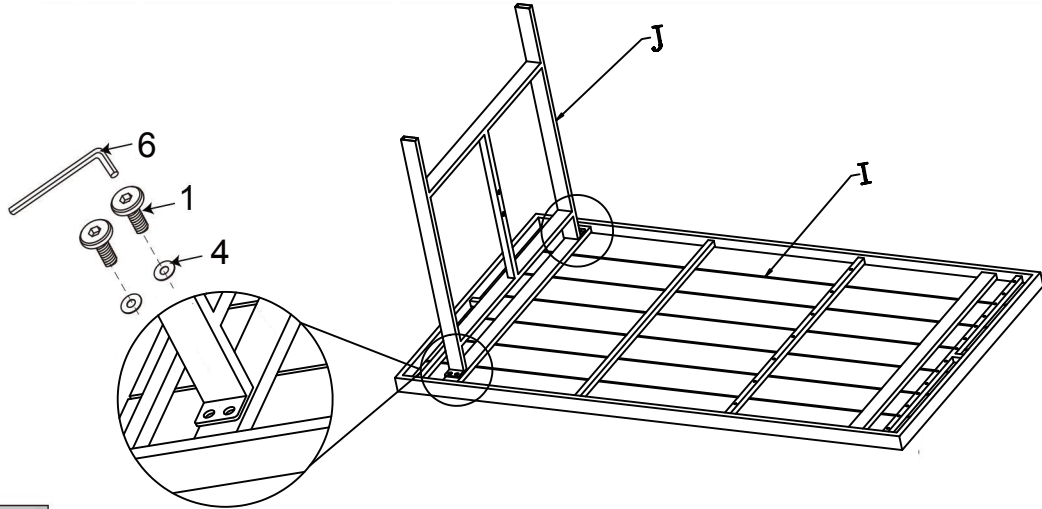
STEP 1



M6x15mm
4PCS



M6
4PCS



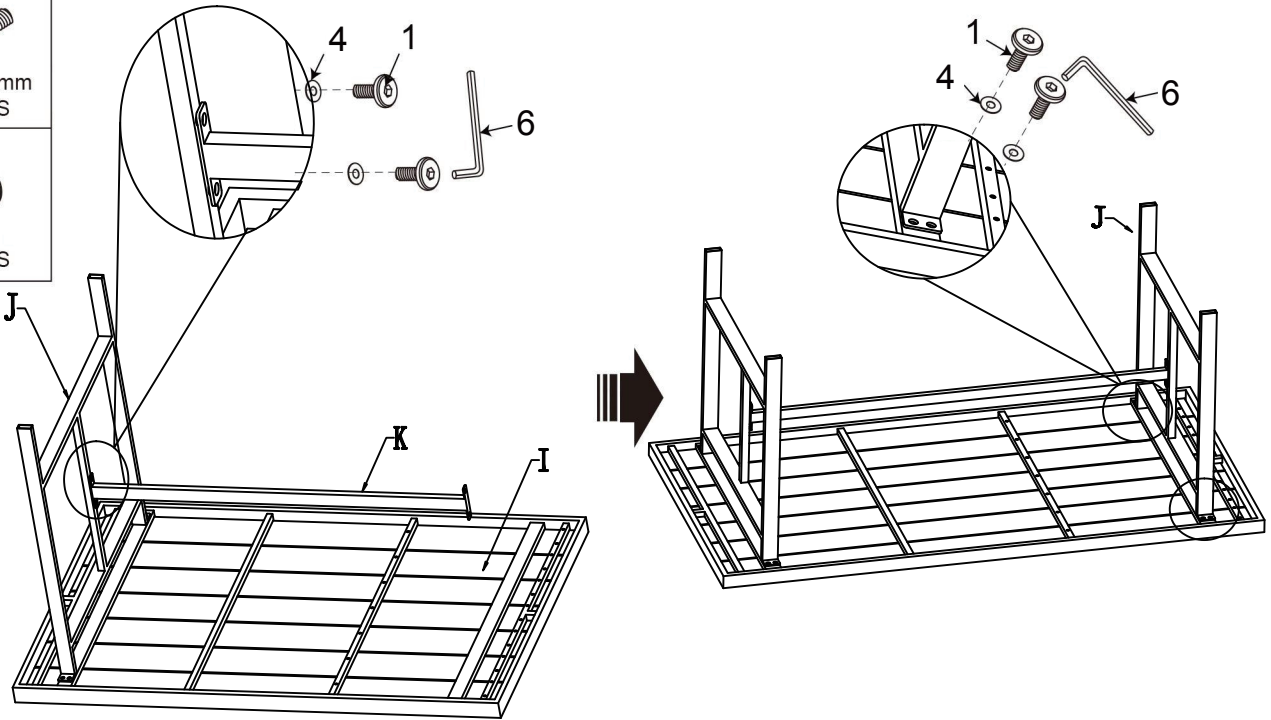
STEP 2



M6x15mm
8PCS



M6
8PCS



ASSEMBLE ACCOMPLISHED

