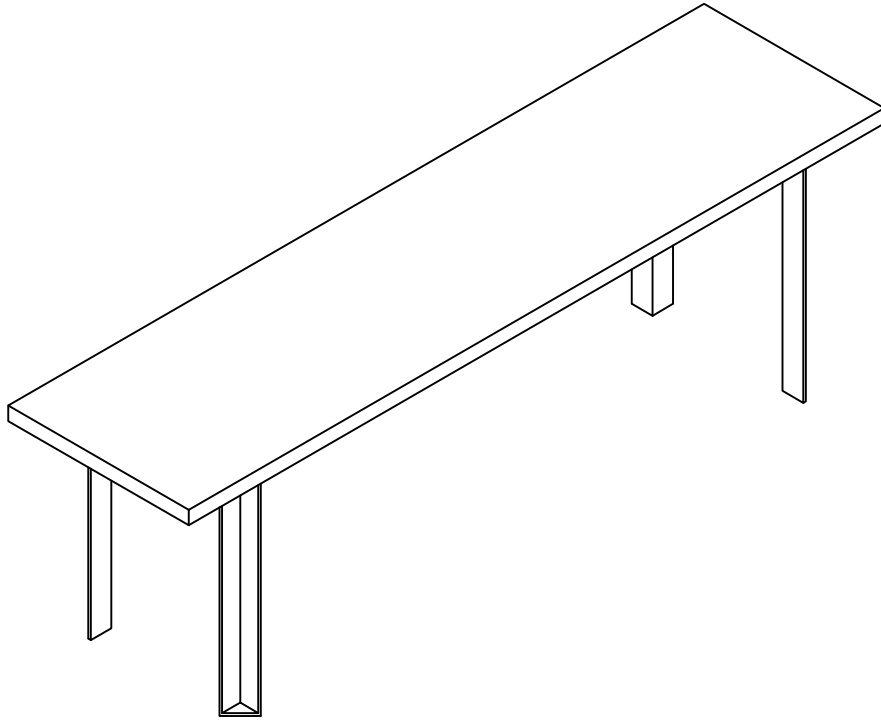


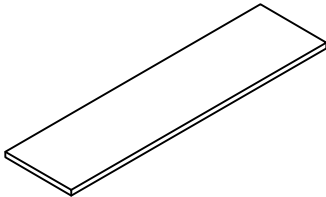
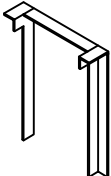
Assembly Instructions

Caution : You must read this before you proceed

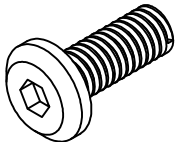
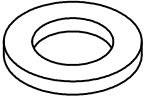

BENCH



Part list

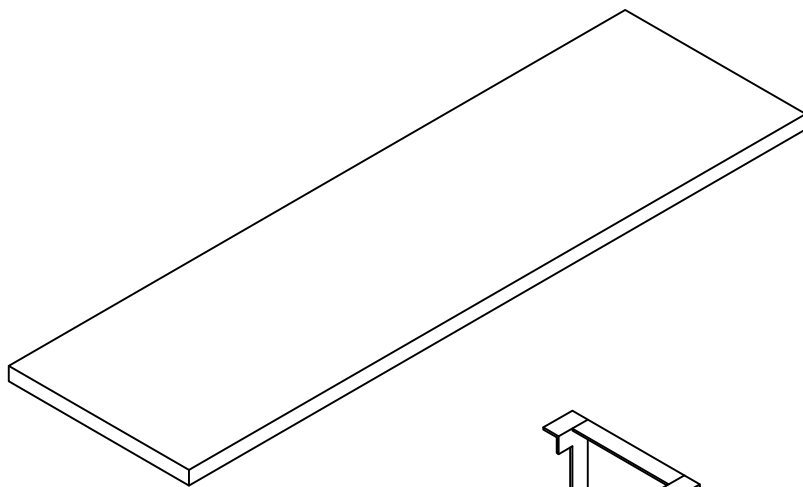
Label	Picture	Description	QTY
A		Top	1
B		Leg	2

Hardware

Label	Picture	Description	QTY
①		Flat Head Allen Bolt (M8x25mm)	8
②		Washer (ID 8x17mm)	8
③		Allen Key (4mm)	1

Assembly preparation

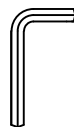
Before beginning assembly



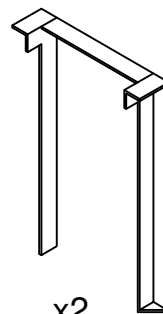
x6
Pcs.



x6
Pcs.



x1
Pcs.



x2
Pcs.



Read instructions, cover to cover-



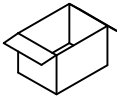
Have 2 adults on hand for assembly-



Do not assemble on flooring or carpet-



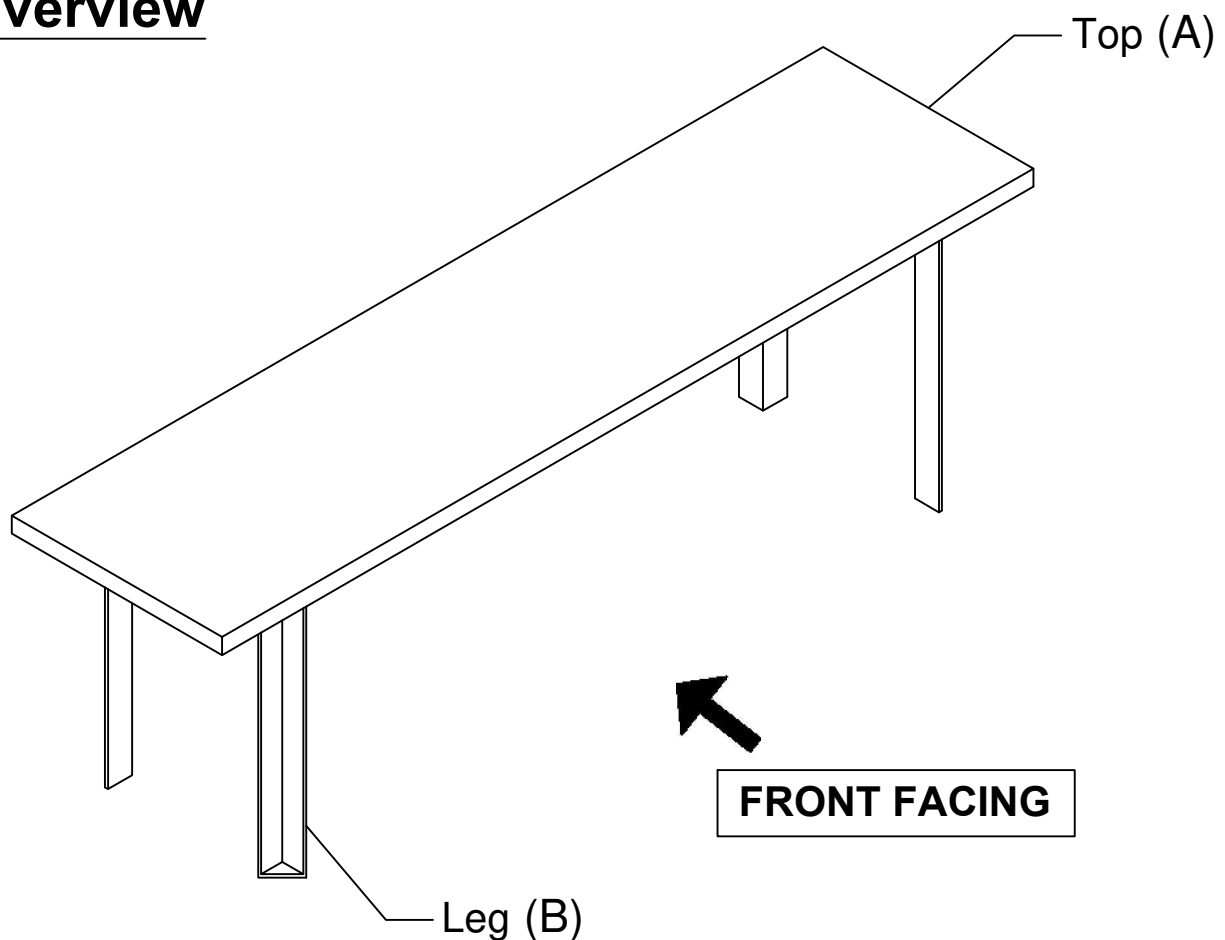
Assemble on a clean, non-marring surface (packing foam)-



Save all packaging until finished-

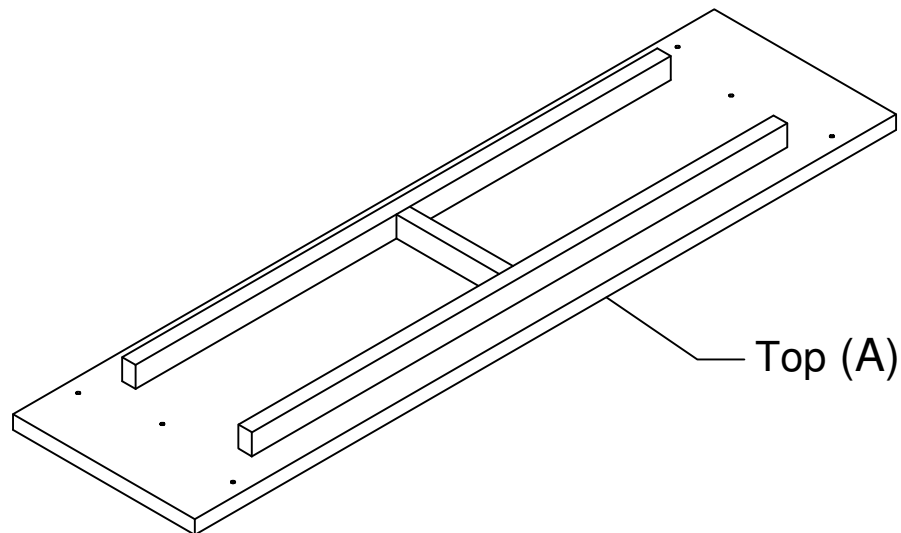
Assembly steps

Overview



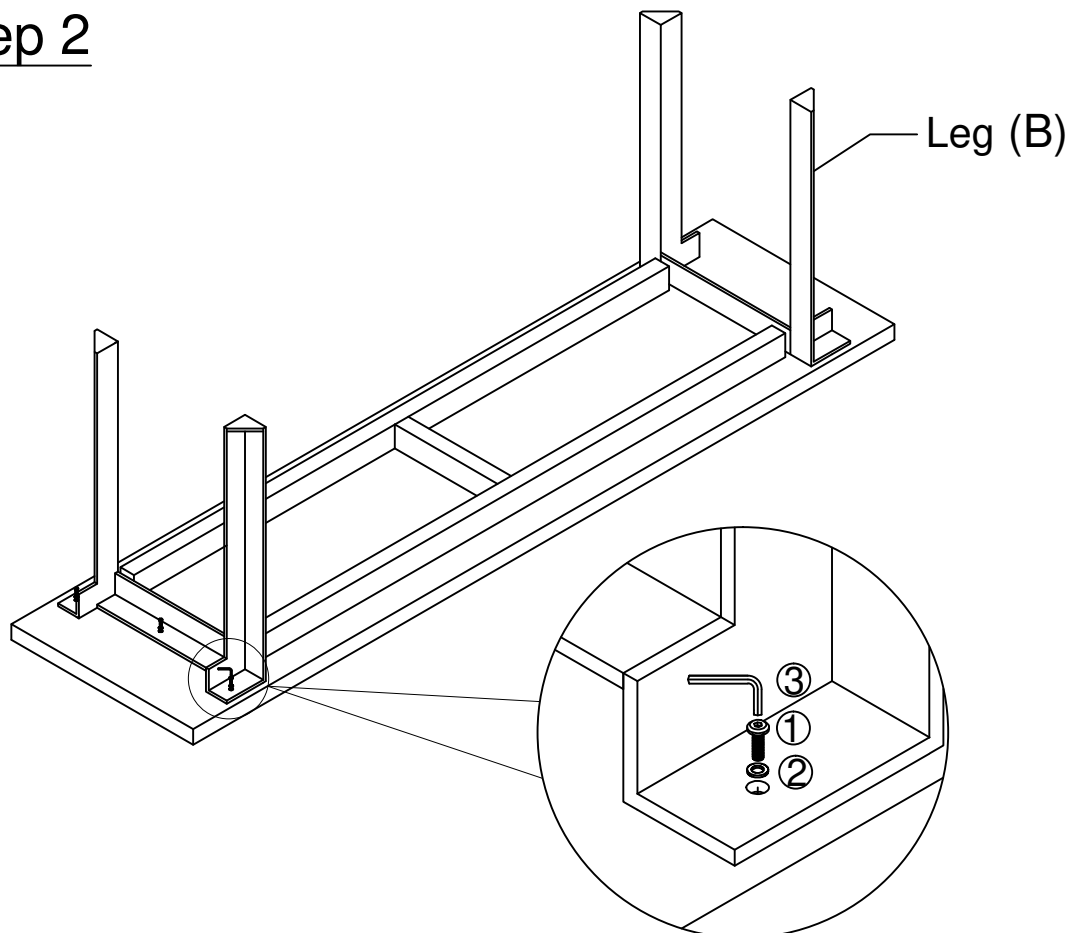
This Bench has multiple parts and may require up to 30 minutes to assemble. To give you an overview of the Bench parts, the picture above will help you, to put the various parts into perspective. Please read through the instructions below, to familiarize the parts and steps before assembly.

Step 1



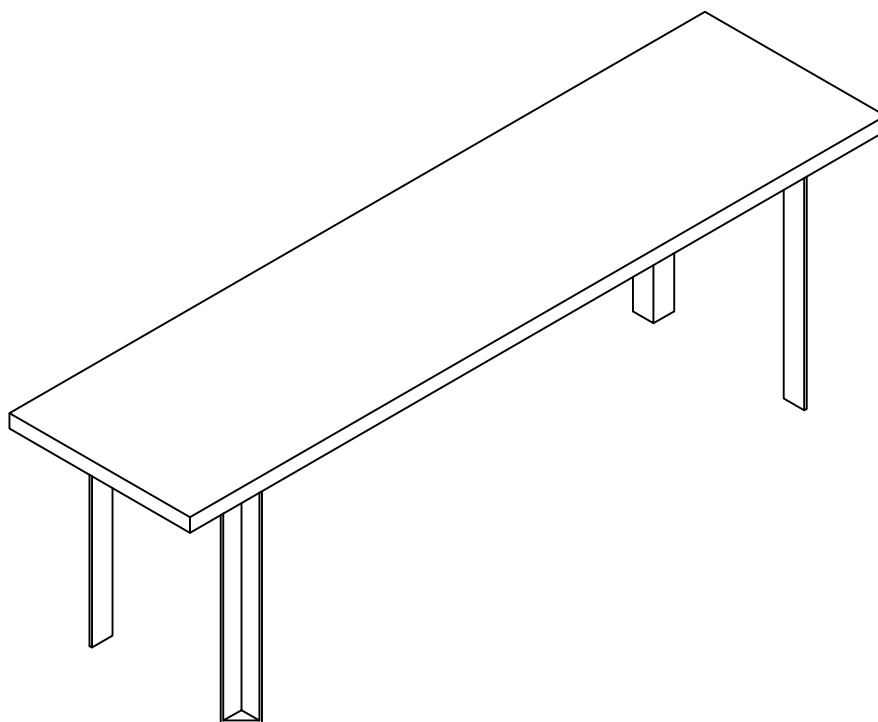
Unpack the Top (A) and place it on a clean and non-marring surface in an upside down position

Step 2



Take the Leg (B) and align it with the holes on the bottom, then insert the Flat Head Allen Bolt (①) along with the Washers (②) and tighten it with the help of Allen key (③) as shown in the picture above. Repeat the same step and attach the other Leg.












Step 3



Place the Bench to your desired location.
This Bench is now ready to use.

Caution: The Bench can only be used on a Flat and levelled surface.

Care & Maintenance

- ✓  • Furniture may scratch floors. We recommend using furniture pads to protect your floors.
- ⊘  • Do not put hot items directly on furniture surface
- ⊘  • Do not clean furniture with harsh cleansers or polish.
- ⊘  • Do not place furniture under direct sunlight.
- ⊘  • Do not place furniture near heating or cooling vents.
- ⊘  • Do not write on furniture without a passed barner to protect the surface.
- ⊘  • Do not place furniture outside. for indoor use only.
- ⊘  • Not for commercial use. for residential use only.
- ⊘  • Stains may be removed with mild soap solution and damp cloth.
- ⊘  • Children should not climb or jump on the furniture.
- ✓  • Dust and pick - up shills using a clean, non-colored, lint-free cloth.