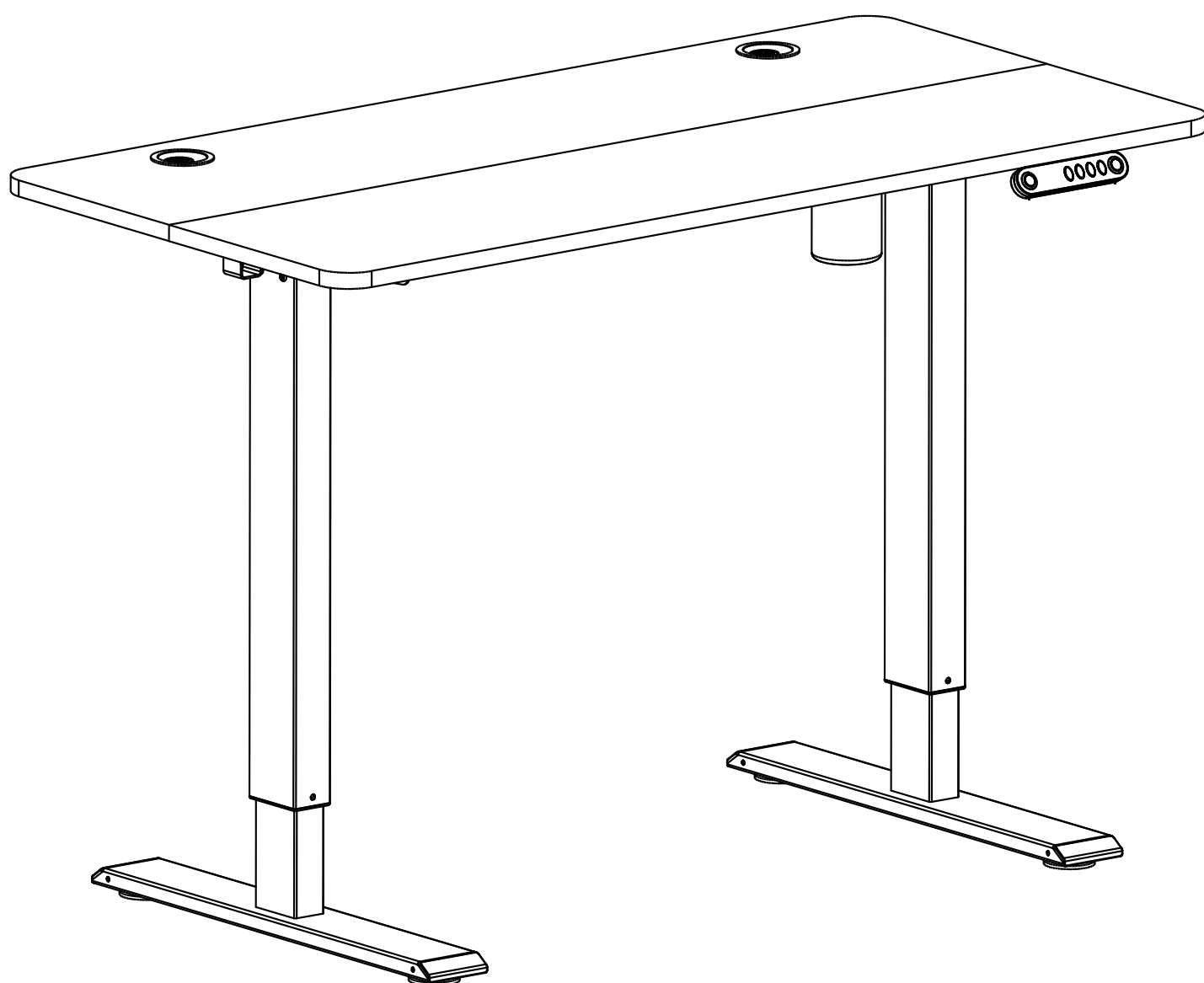


ELECTRIC HEIGHT ADJUSTABLE STANDING DESK

USER MANUL



SAFETY INSTRUCTION

1.SAFETY AND WARNINGS

- 2.Inappropriate use of this product may cause property damage or bodily injury.
- 3.Check surroundings on all sides before using the desk. Body parts and property can be crushed if trapped between an immobile obstacle and the desk's range of motion.
- 4.Ensure the lengths of all cords are accounted for when operating the desk. Monitors, computers, speakers, anything with a cord that is not long enough for the desk's range of motion.
- 5.Could be pulled down or have its wires broken. Items pulled off the desk may cause other items to fall.
- 6.Please provide this operating manual to any users, installers, or support personnel operating the product.

7.USAGE

This height adjustable desk has electric motors and is designed for use in dry work areas only.

The desk height is adjustable so that it can be positioned at the most ergonomically suitable height.

These desks are designed only for the purposes described in this manual. They should not be used in environments with high humidity or dampness. Any other use is at the user's risk.

Do not move around, crawl or lie under the desk frame. Do not sit or stand on the desk frame.

Children should never use the desk unless they are supervised by adults.

Liability: Under no circumstances does the manufacturer accept warranty claims or liability claims for damages caused by improper use or handling of the desk frame comma other than those which are described in this operating manual.

8.SETUP AND INSTALLATION

Once the desk has been assembled, adjust the feet so that the desk is level and does not shift its position. After this, connect the desk to a 110v or 220v outlet and the desk is ready for use.






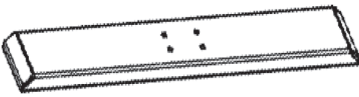

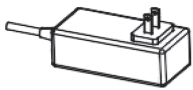

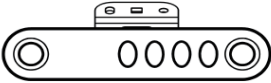
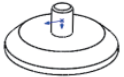
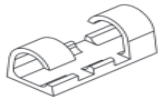


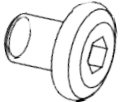


Check that no cables can get jammed.

Choose a placement for the desk that's a safe distance from window frames, radiators , furniture etc. so that people do not get stuck or trapped by the desk.


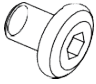

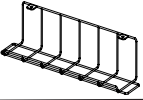
After it has been assembled, when moving the desk, DO NOT lift the desk by the desktop. Lifting this way can stress the fasteners connecting the desk base to the desktop.

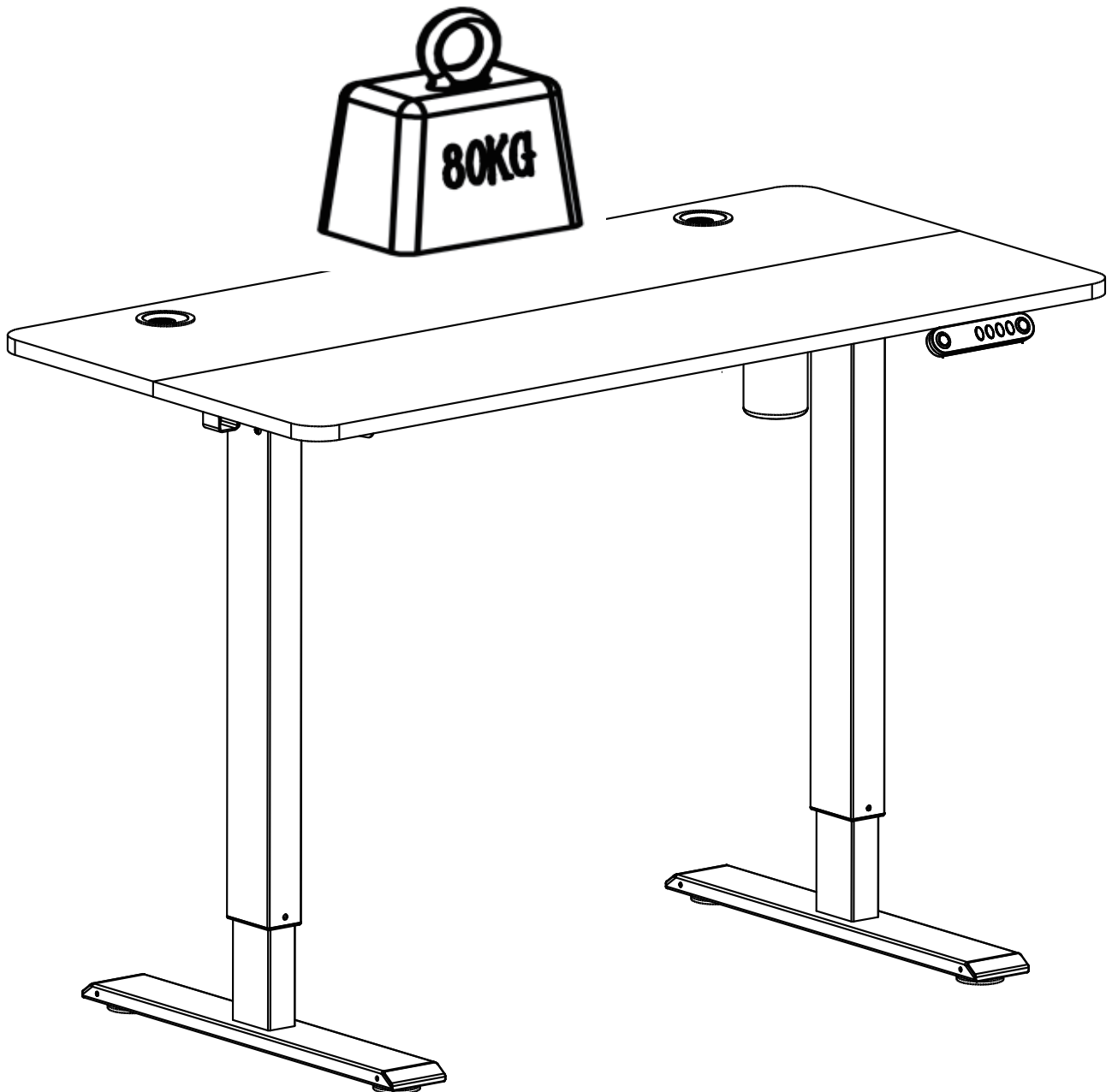
Lower the desk completely and then lift the desk by grabbing the top of the desk base or by removing the desktop first.

COMPONENTS PARTS

Number	Name	Image	Quantity
A	Desk boards		2
B	Left Leg		1
C	Right Leg		1
D	Support Beams		2
E	Side Brackets		2
F	Base		2
G	Sync Rod		1
H	Power Cable		1
I	Hook		2
J	Controller		1
K	Leveling Studs		4
L	Wire Clips		8
M	4mm Allen Key		1
N	2.5mm Allen Key		1
O	Screws M6 x 12		20
P	Screws M6 x 30		10
Q	Wooden Rod		10

COMPONENTS PARTS

Number	Name	Image	Quantity
R	Control Box		1
S	Screws M5 x 8		14
T	Outlet box		2
U	Wire Basket		1

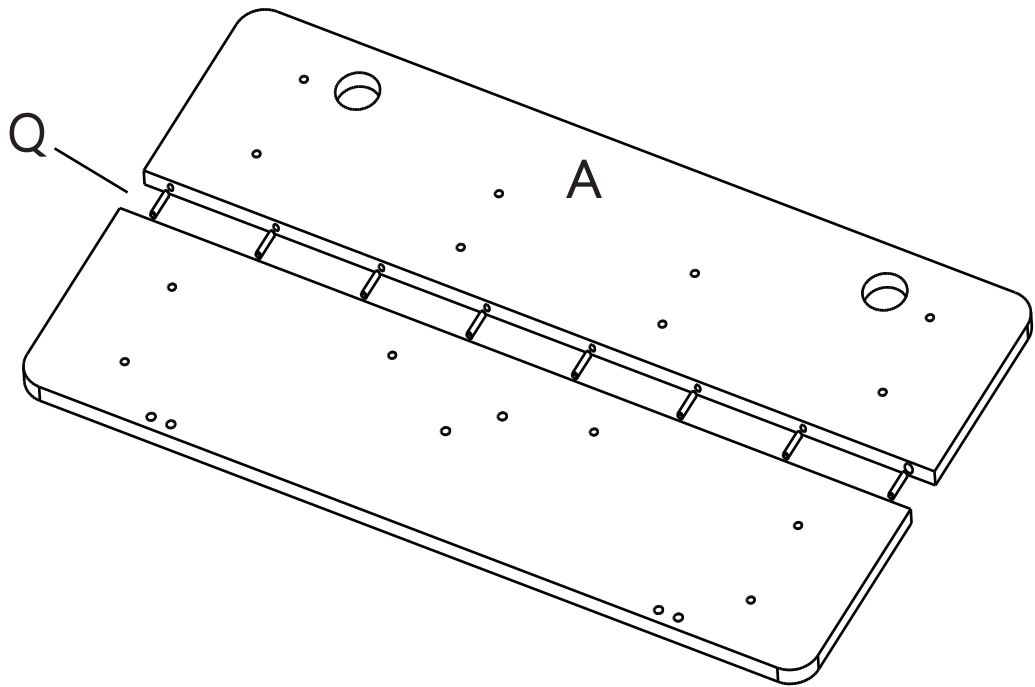


ASSEMBLY INSTRUCTION

STEP 1

Use Q (Wooden Rod) connect two Desk Boards together.

Q x 8 pcs

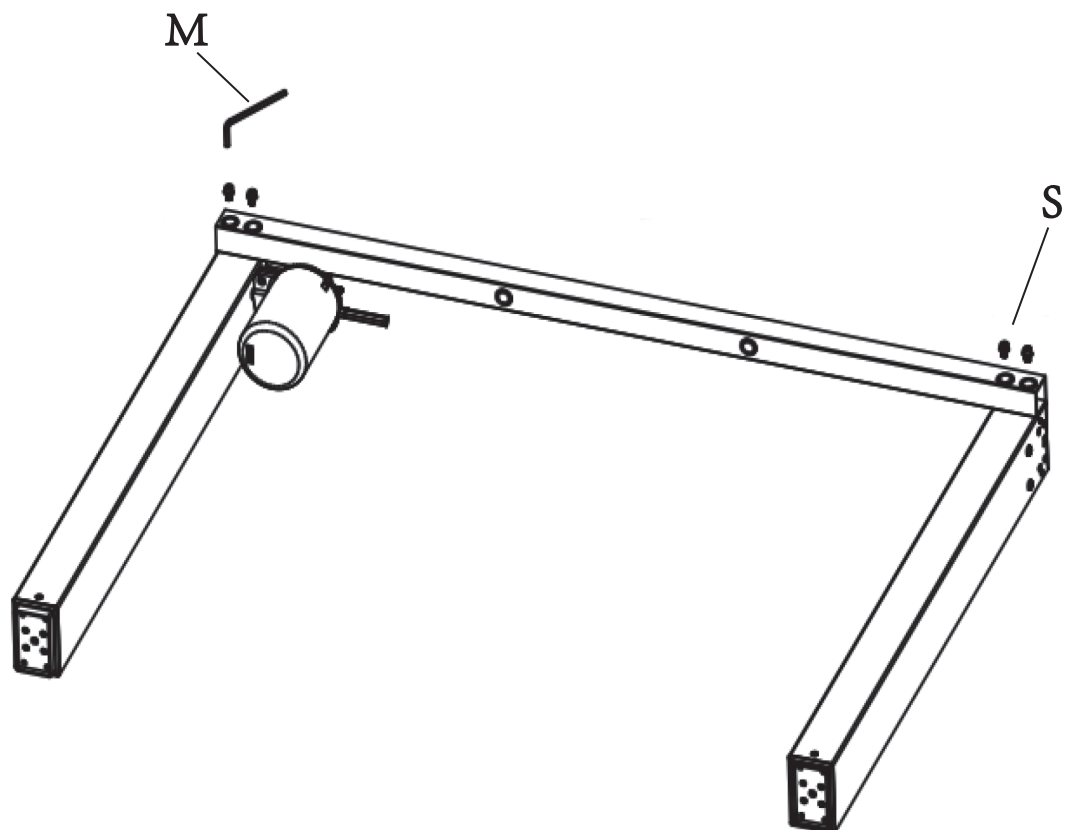


STEP 2

Put D (Support Beams) on the legs.
Insert four M5x8 Screws through the holes on the D and legs, then tighten four M5x8 screws.

S x 4 pcs

M x 1 pc

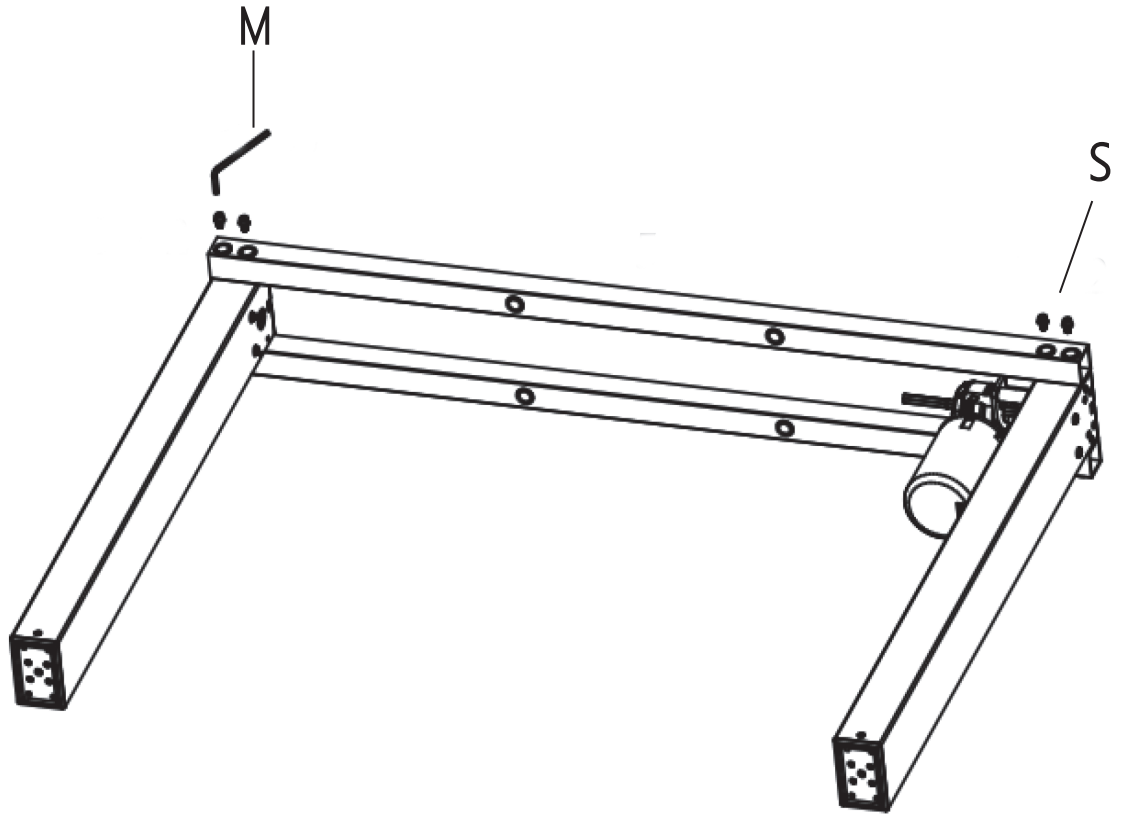


STEP 3

Put the frame on the opposite side and install another D (Support Beams).

S x 4 pcs

M x 1 pc



STEP 4

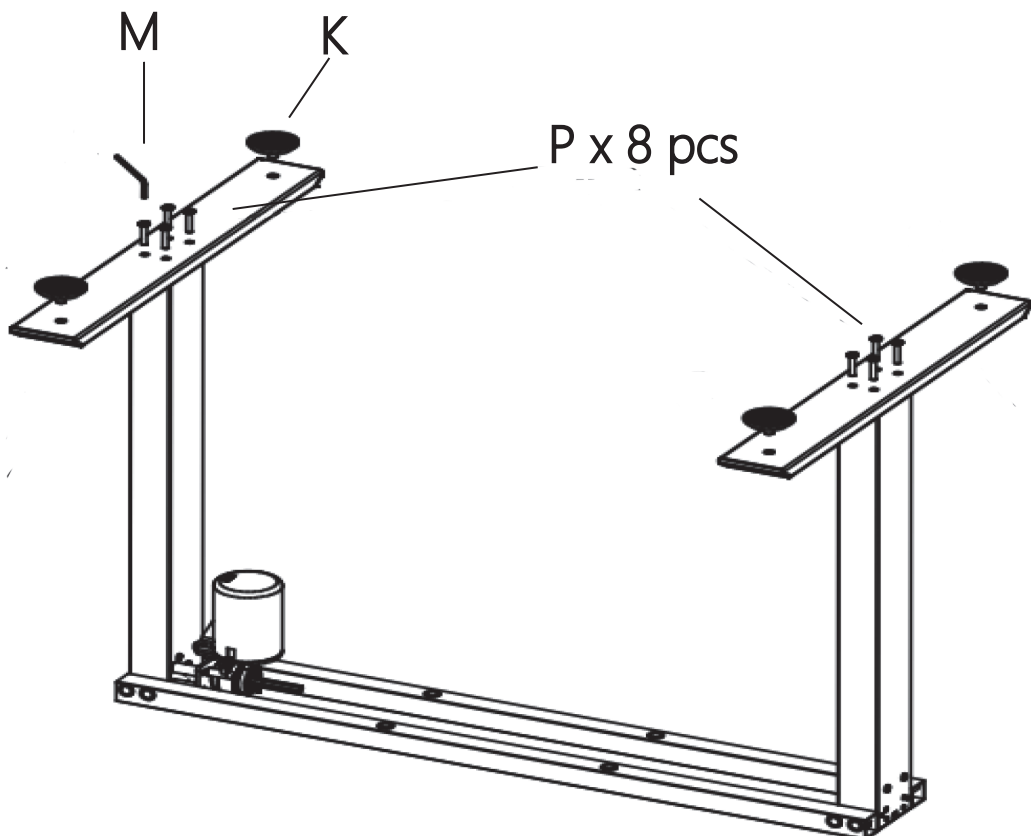
Put K (Leveling Studs) on F (Base), and tighten them.

Put F (Base) on the bottom of the table legs, then tighten eight M6x30 screws.

P x 8 pcs

M x 1 pc

K x 4 pcs



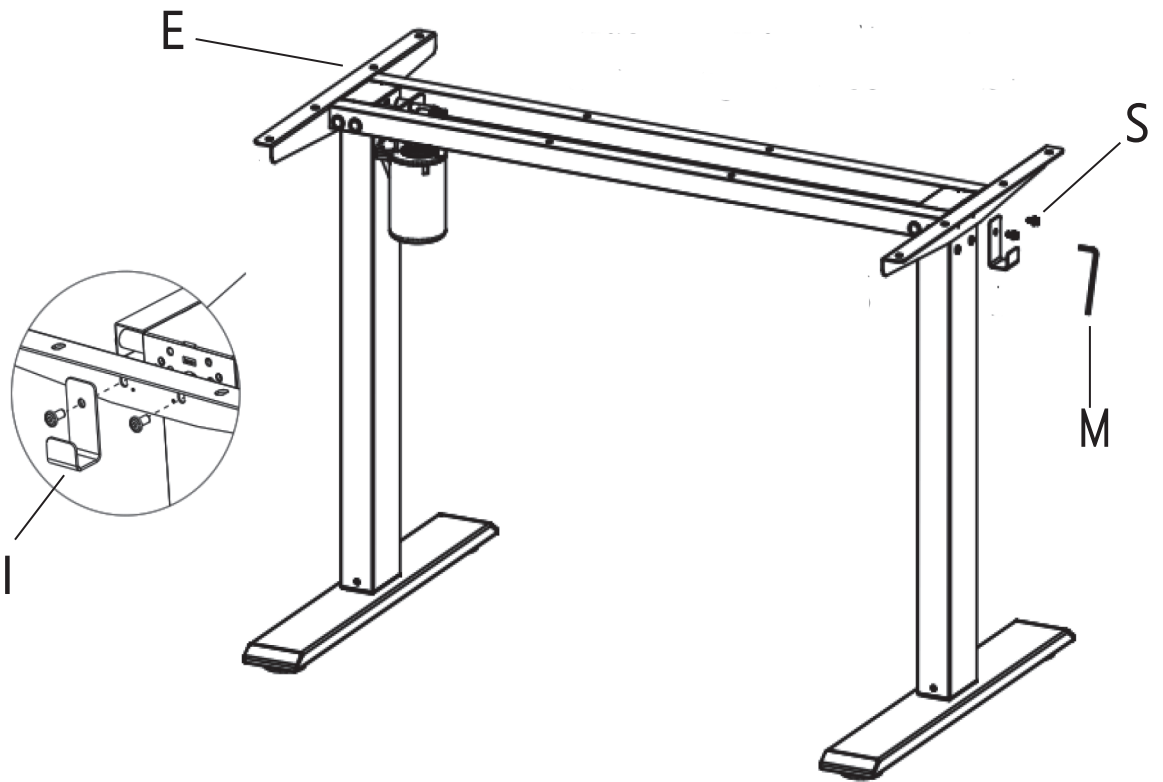
STEP 5

S x 4 pcs

M x 1 pc

I x 2 pcs

Turn the table stand upside down, install E (Side Bracket), and you can attach I (Hooks) to any of the 4 holes according to your own usage habits.

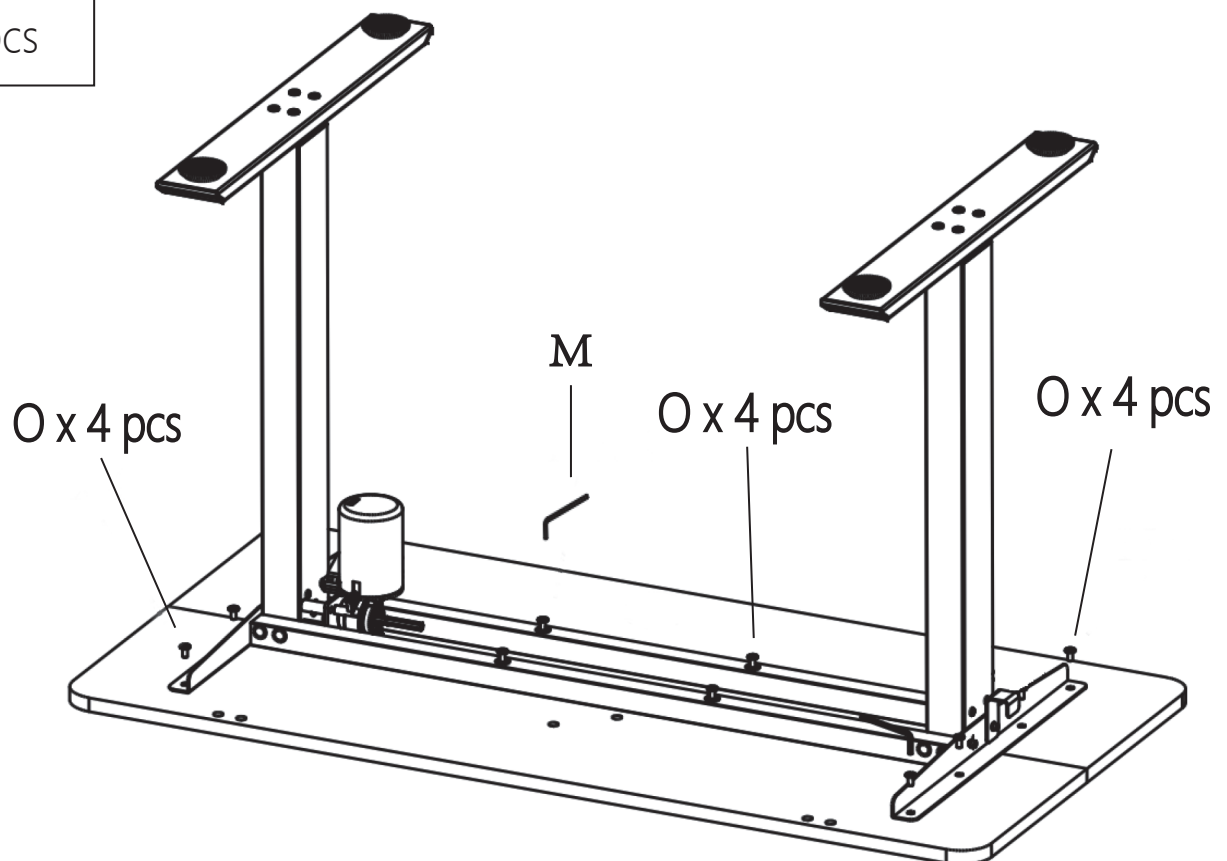


STEP 6

M x 1

O x 12 pcs

Install the frame to the desktop

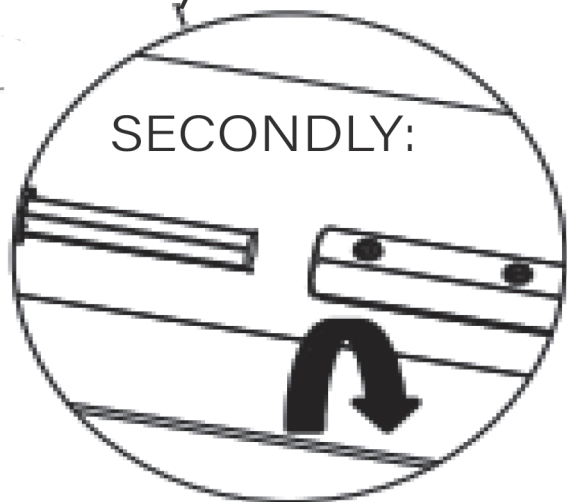
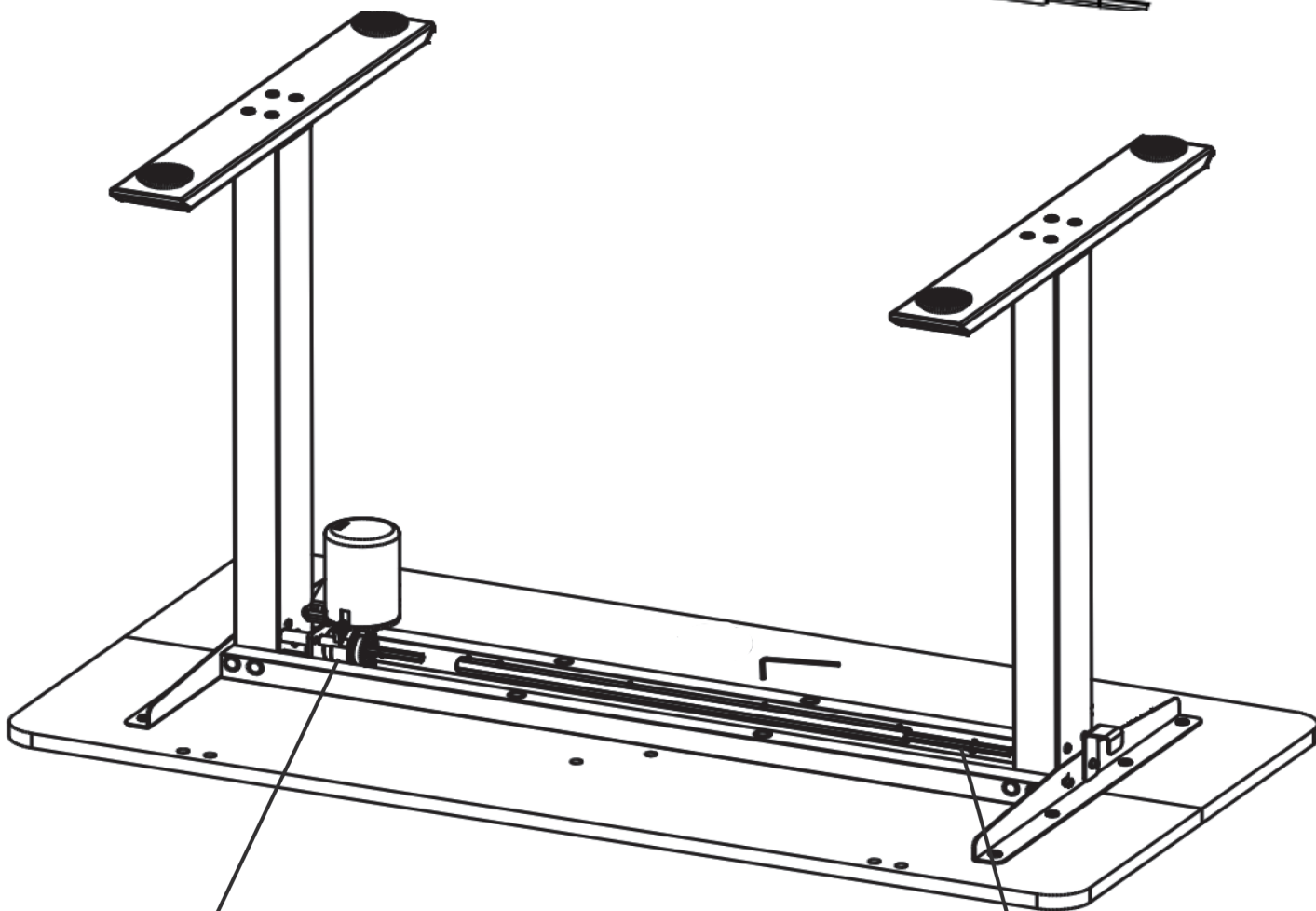
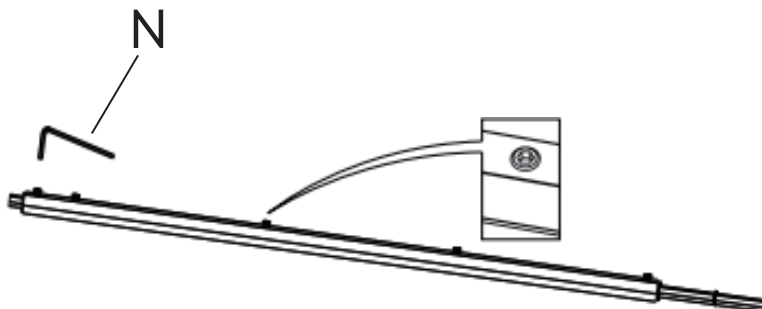


STEP 7

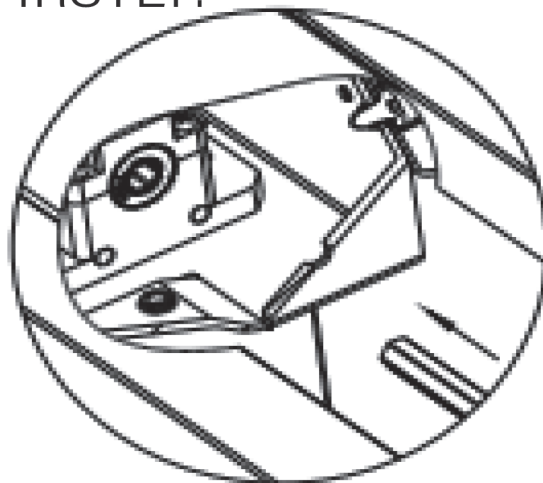
Install the G (Sync rod) and tighten the two screws at the both end of G (Sync Rods).

N x 1 pc

G x 1 pc



FIRSTLY:



STEP 8

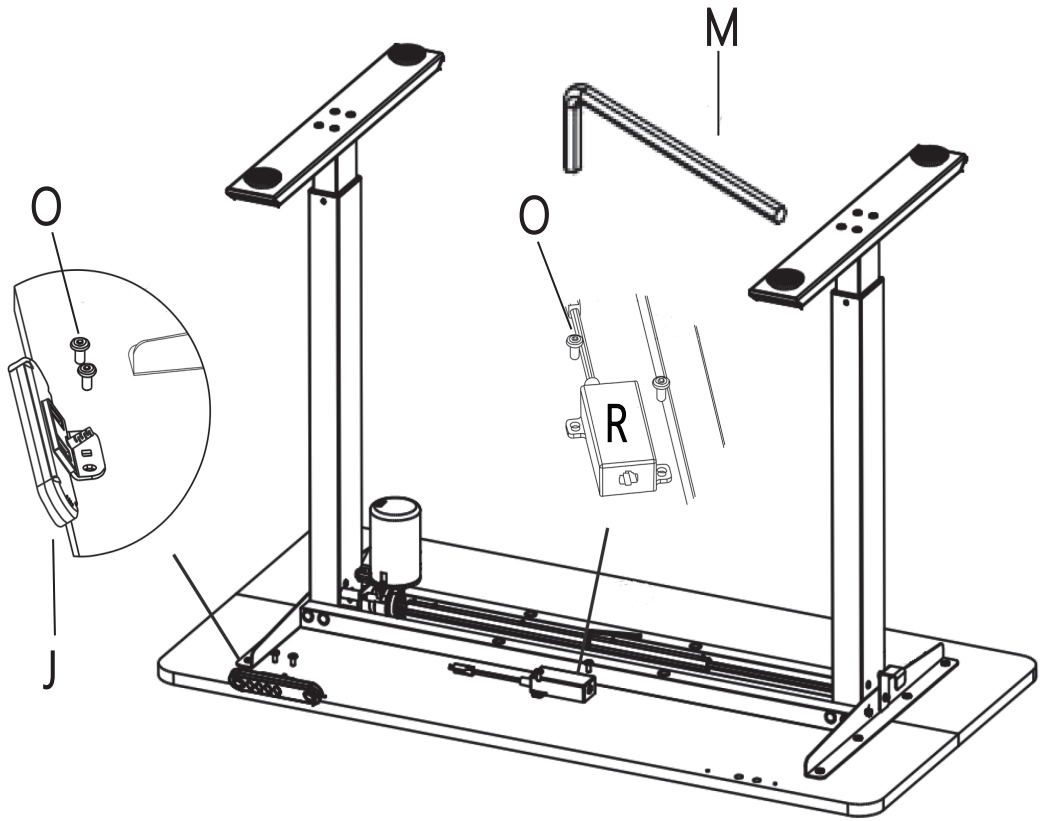
Use 4mm Allen Key to install J (Controller) and R (Control box) with four M6x12 Screws.

R x 1 pcs

O x 4 pcs

M x 1 pc

J x 1 pc



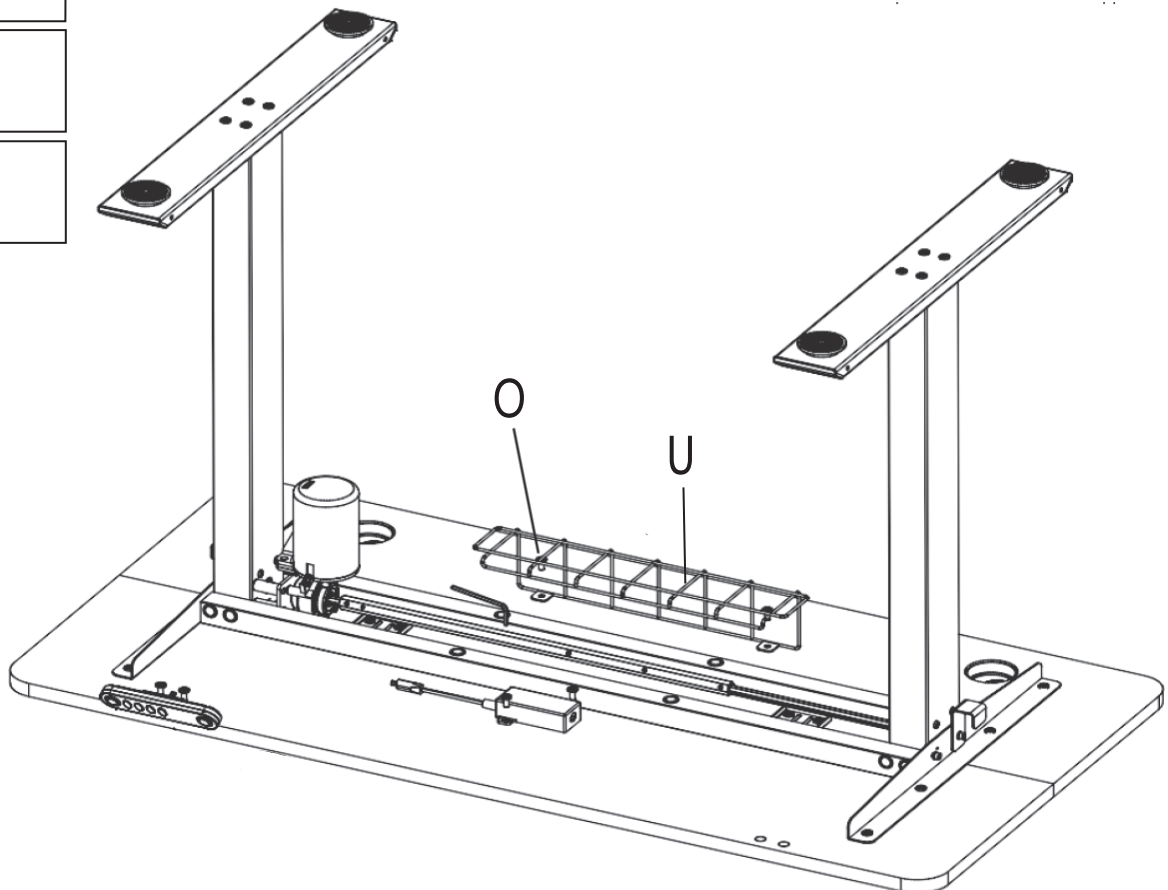
STEP 9

Use 4mm Allen Key to install U (Wire Basket) on the table board with two M6x12 Screws.

U x 1 pcs

O x 2 pcs

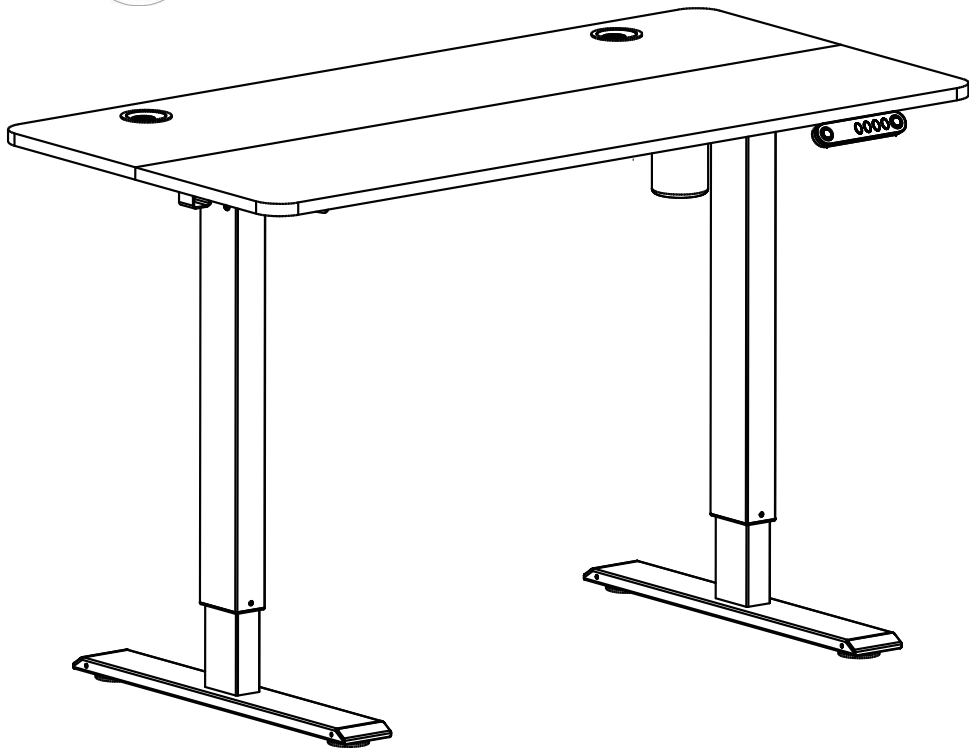
M x 1 pc



STEP 10

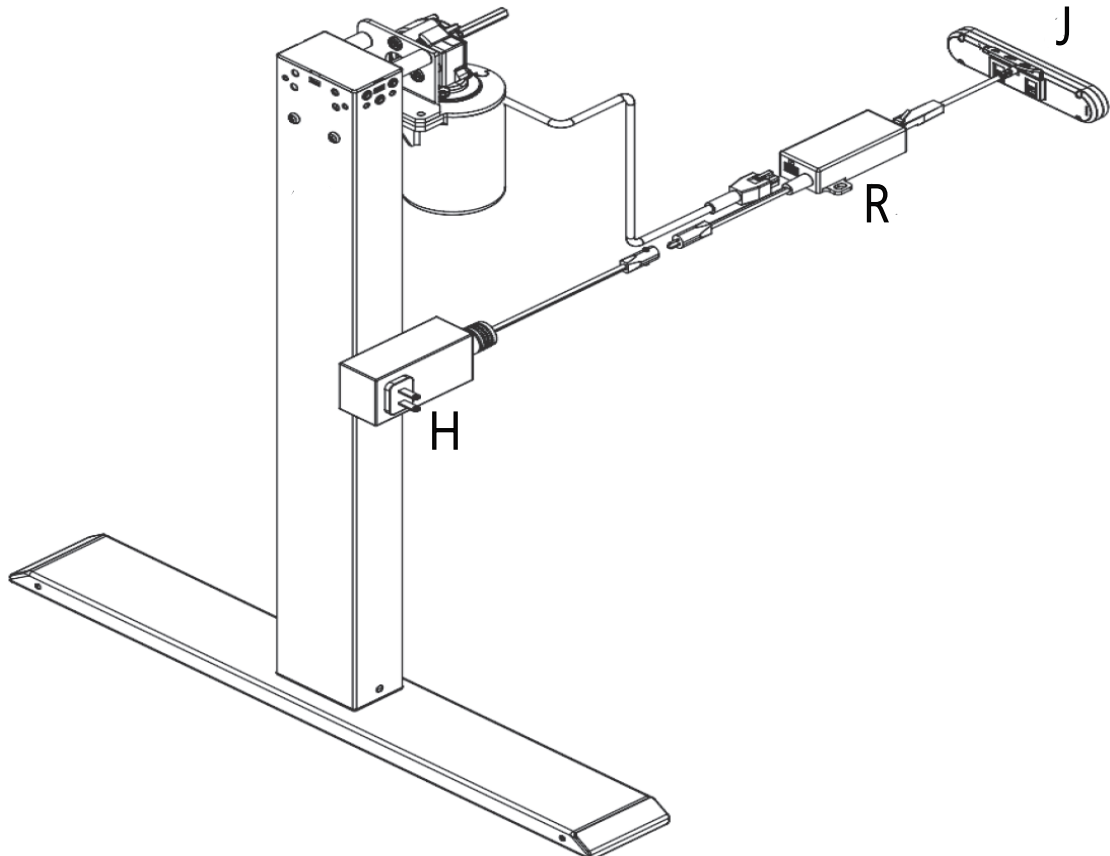
Turn over the desk and insert T (Outlet boxes).

T x 2 pcs



STEP 11

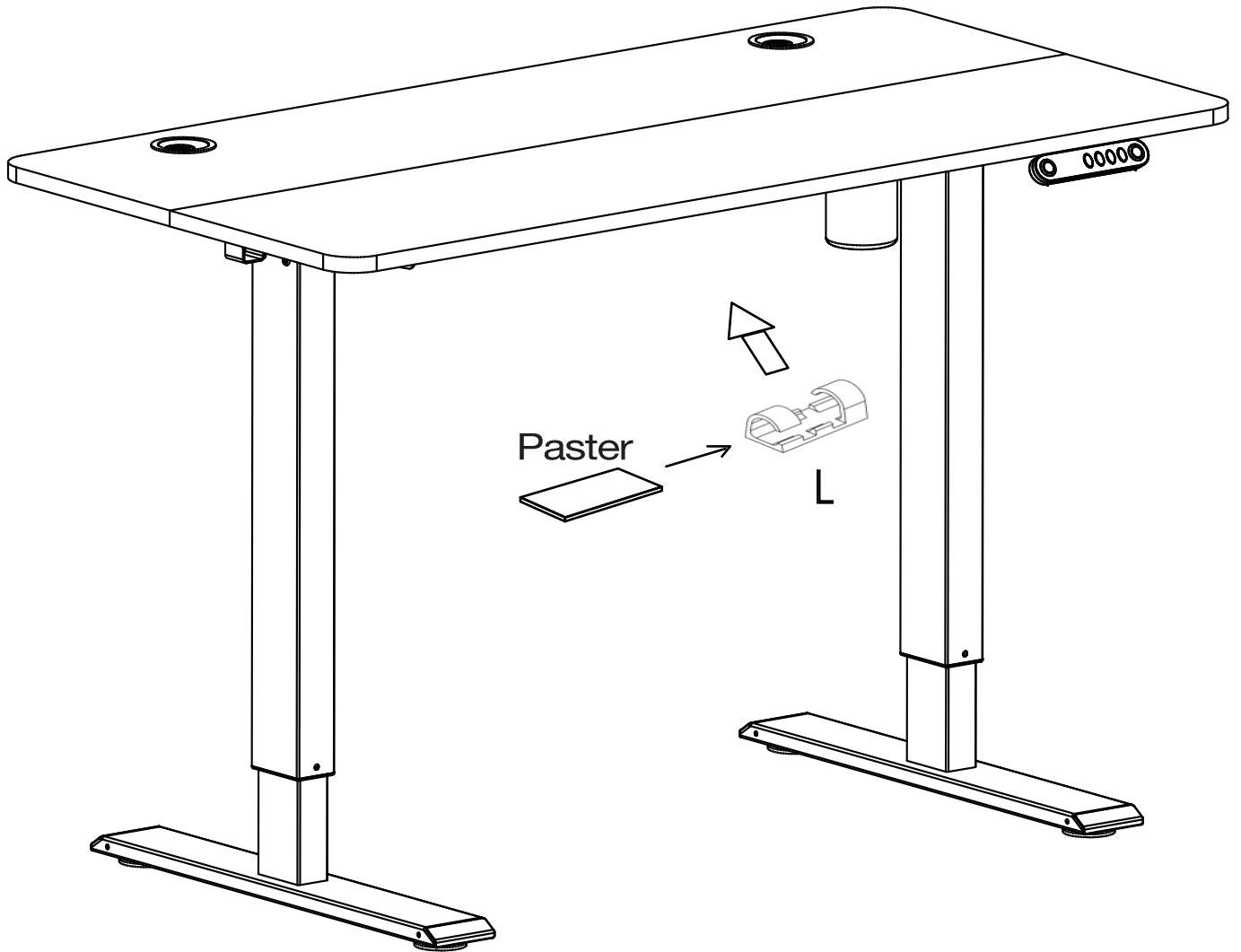
Connect J (Controller), R (Control box) and H (Power Cable).



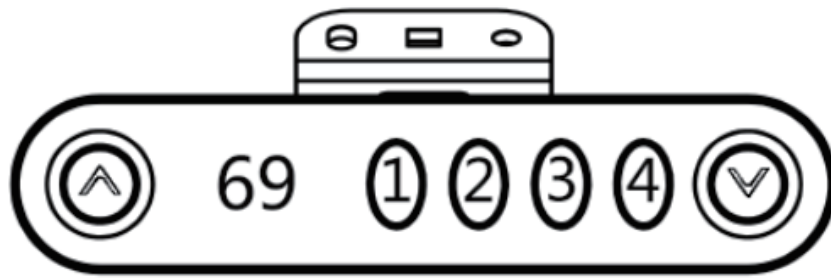
STEP 11

Use the L (Wire Clips) to organize the wires and put it in the wire basket.

L x 8 pcs



DISPLAY INSTRUCTIONS



RESET Setting	<p>Method 1: Press and hold “^” and “v” buttons on the handset at the same time for seconds until you hear the beep. Release the buttons. The desk will go automatically until it shows 69, and the reset is successful.</p> <p>Method 2: Unplug the power supply for 20s, then plug the power supply back in and the desk will reset automatically. After it shows 69, the reset is done.</p>
Height Adjustment	Up: Press Up “^” Down: Press Down “v”
Switch Display	Press and hold “v” and Button 4 to switch cm to inch or inch to cm.
Memory Height	<p>Press and hold any of memory buttons (1,2,3 or 4) until you hear a beep. Release the button, and this position height will be stored in memory. When the working height of memory needs to be used, press the memory position button and the desk will automatically adjust to the memory height.</p> <p>Note: This standing desk has 4 different height memories. The memory positions stored are still valid after power off. You can use the up and down buttons to adjust the standing desk to the height you need to work.</p>

TROUBLESHOOTING GUIDE:

If experiencing error messages showing on the keypad or no response when trying to raise or lower, to reset the desk:

1. Unplug the power supply for 20 secs., then plug the power supply back in and the desk will reset automatically.

After it shows 69, the reset is done.

2. Please contact us for more help.

MAINTENANCE AND CARE:

1. During daily maintenance, use a clean soft cloth to remove surface dust. Do not use a wet cloth or hard material to wipe the surface of the table.

2. Avoid contacting the surface with acid-based chemicals.

3. To smooth out slight scratches, gently wipe with a soft cloth.

4. Avoid attaching tape directly to the outer surface of the metal feet to prevent paint from peeling.