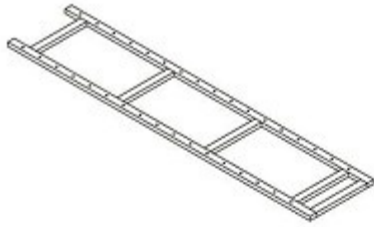
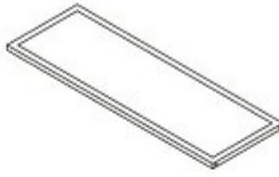


# Installation Guide for Five-Tier Storage Rack



Bracket A\*2



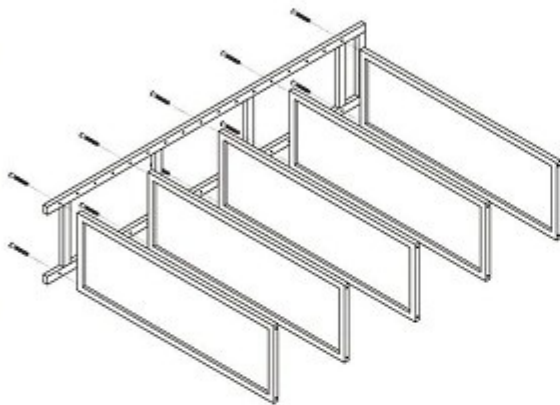
Sheet B\*5



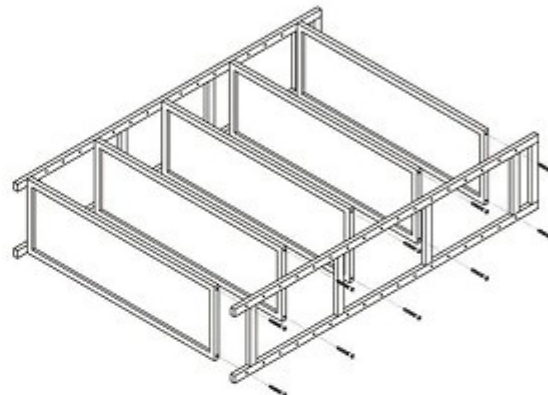
a\*20



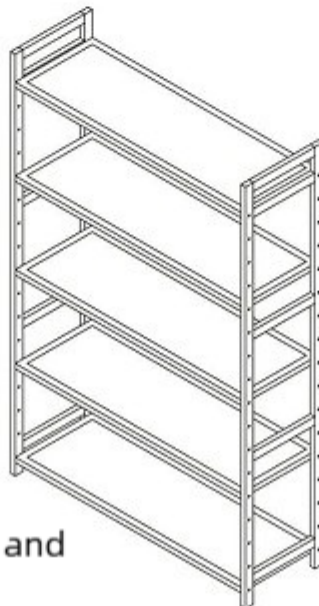
Small  
wrench\*1



1. Connect the middle bracket A and the sheet B with screw a (do not fully tighten)



2. Use screw a to connect bracket A with shelf B on the other side (do not fully tighten).



3. Place it on a level ground and tighten the screws at each position in sequence