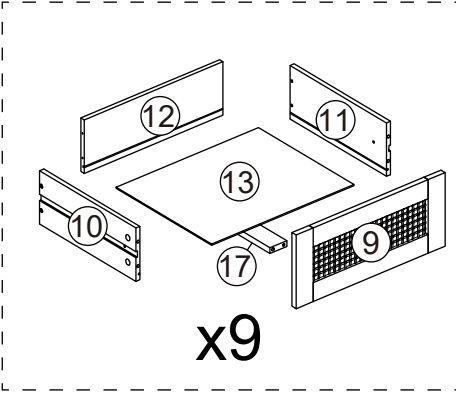
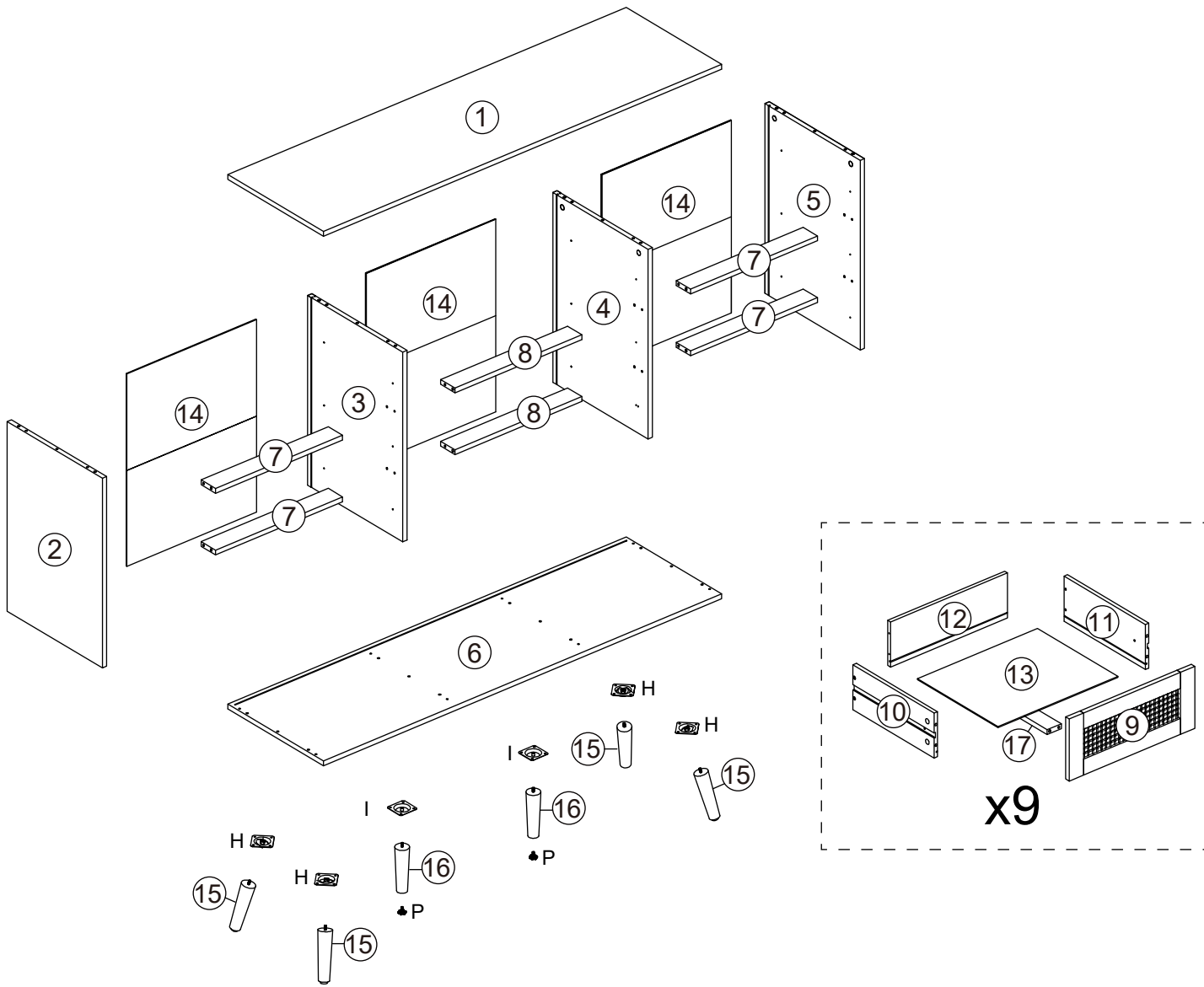


User Manual

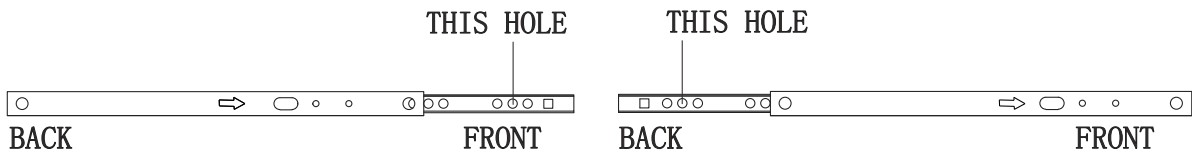
Nine Drawer Chest

NO.HFBFDC023-1

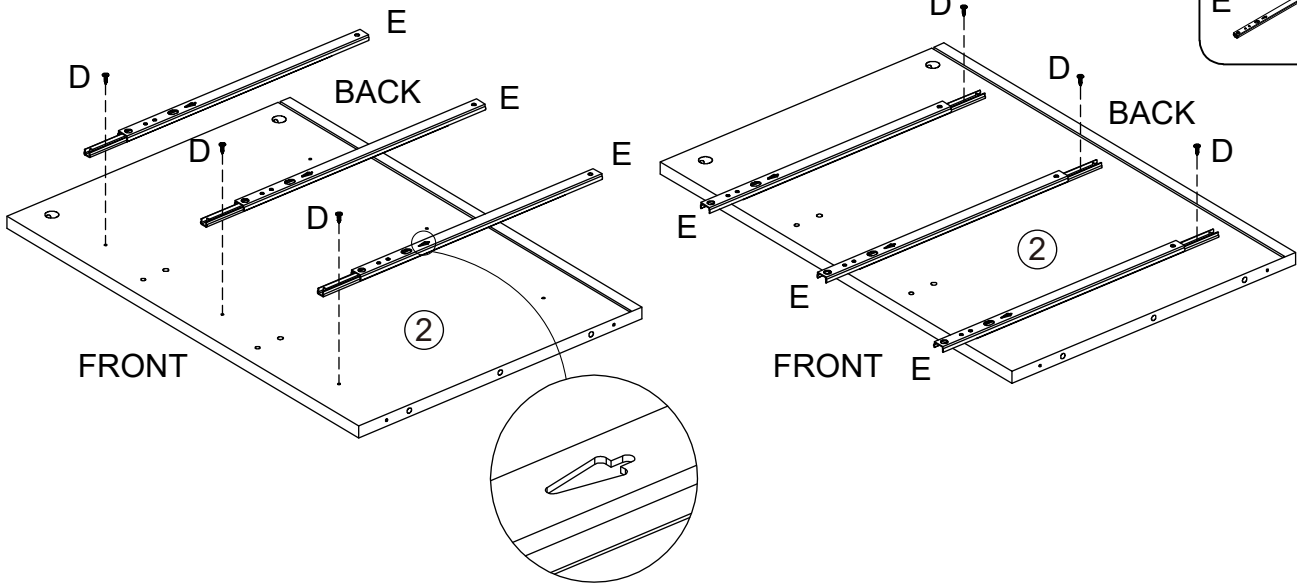
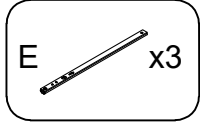
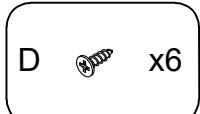


A 65pcs	B 65pcs	C 54pcs	D 36pcs 3.5X12mm	E 18pcs	F 53pcs 4X30mm
G 24pcs 4X16mm	H 4pcs	I 2pcs	J 18pcs 4X14mm	K 9pcs	L 18pcs 4X10mm
M 18pcs 3X14mm	N 18pcs	P 2pcs	Q 2set	R 1pc	

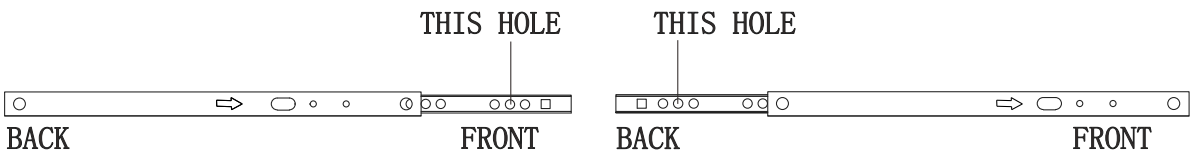
1



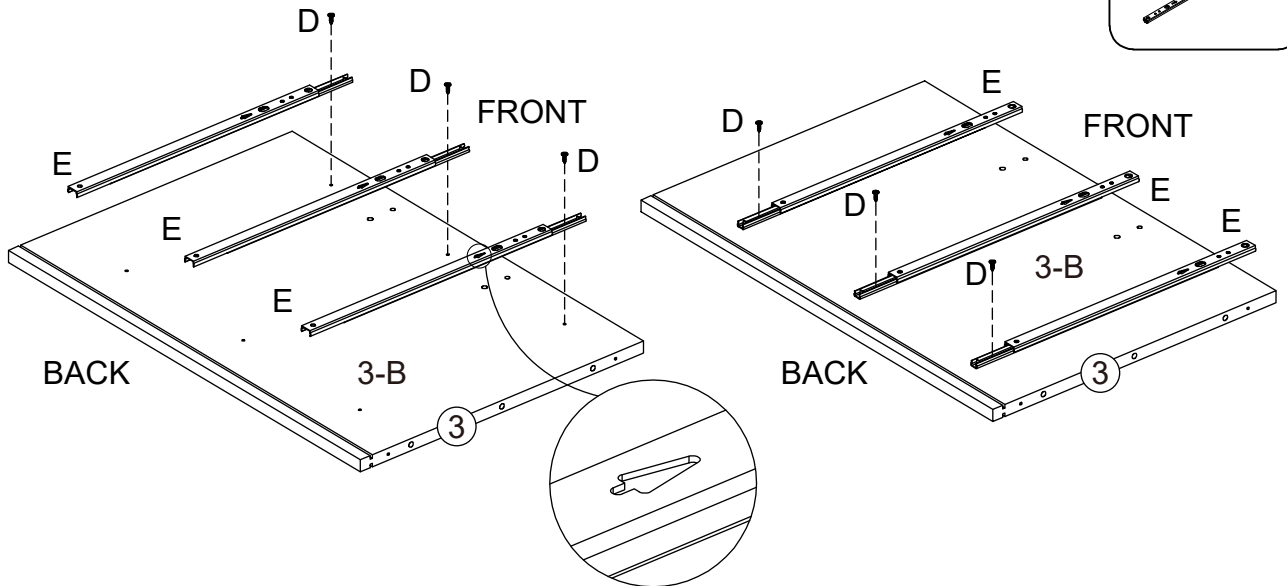
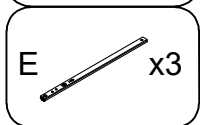
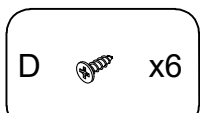
Pay attention to the arrow direction of the slide rail when installing



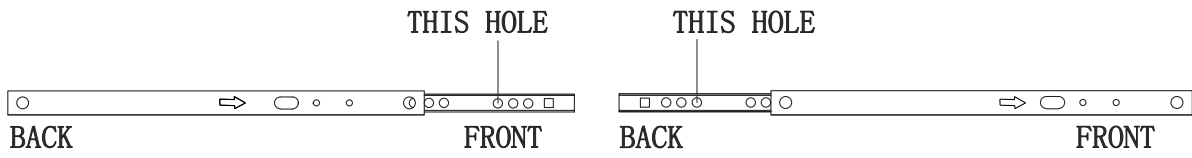
2



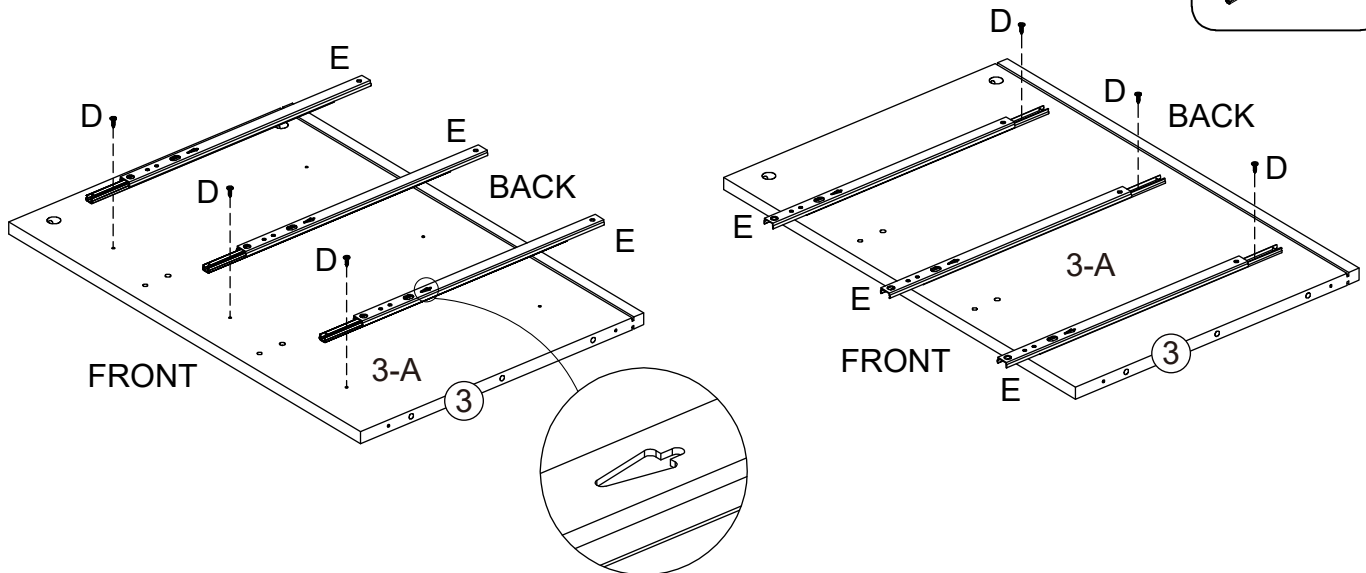
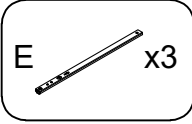
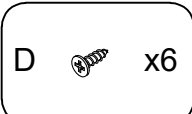
Pay attention to the arrow direction of the slide rail when installing



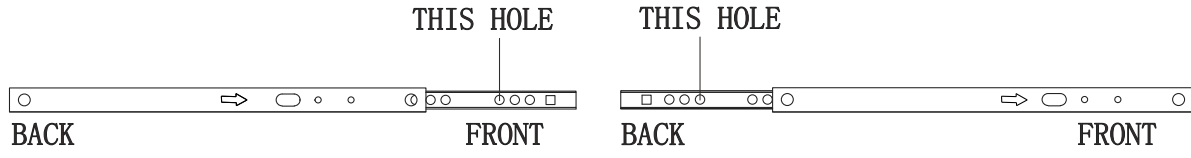
3



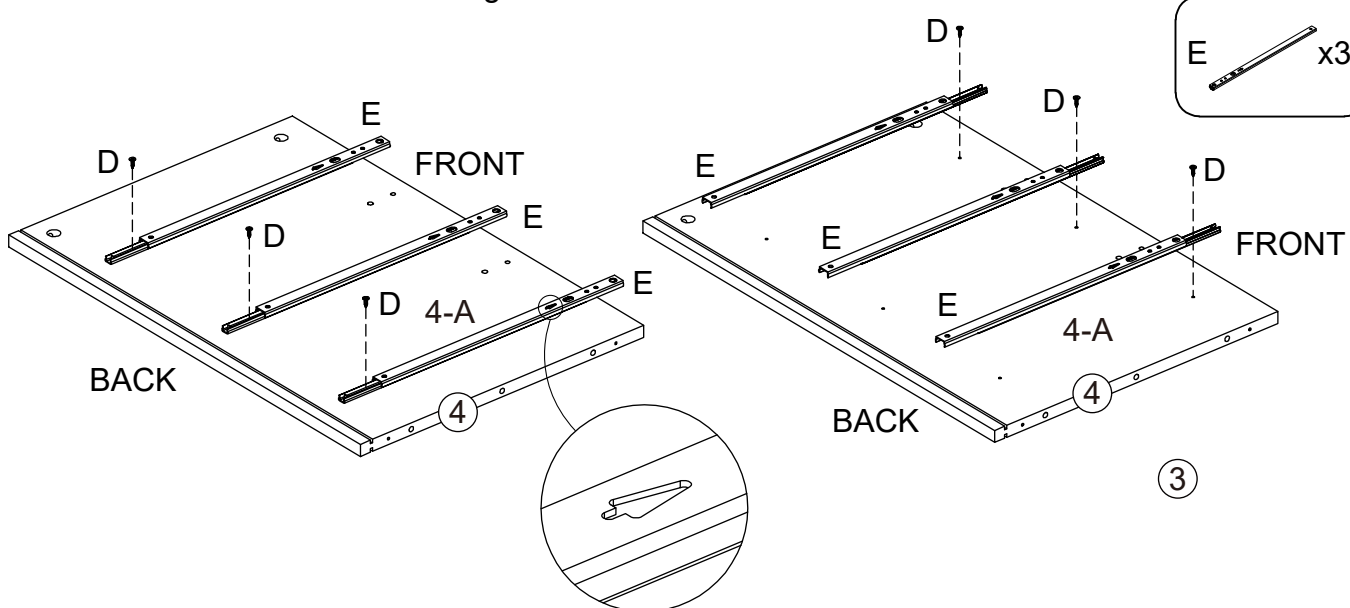
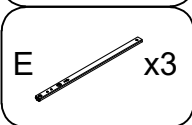
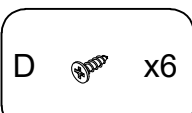
Pay attention to the arrow direction of the slide rail when installing



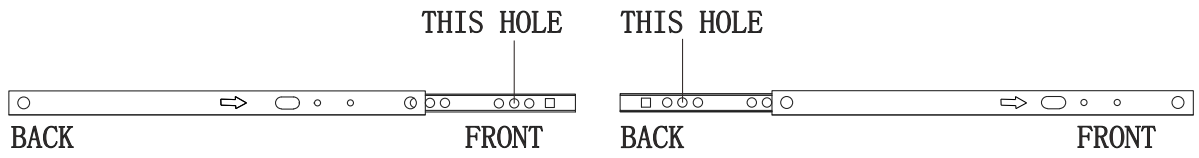
4



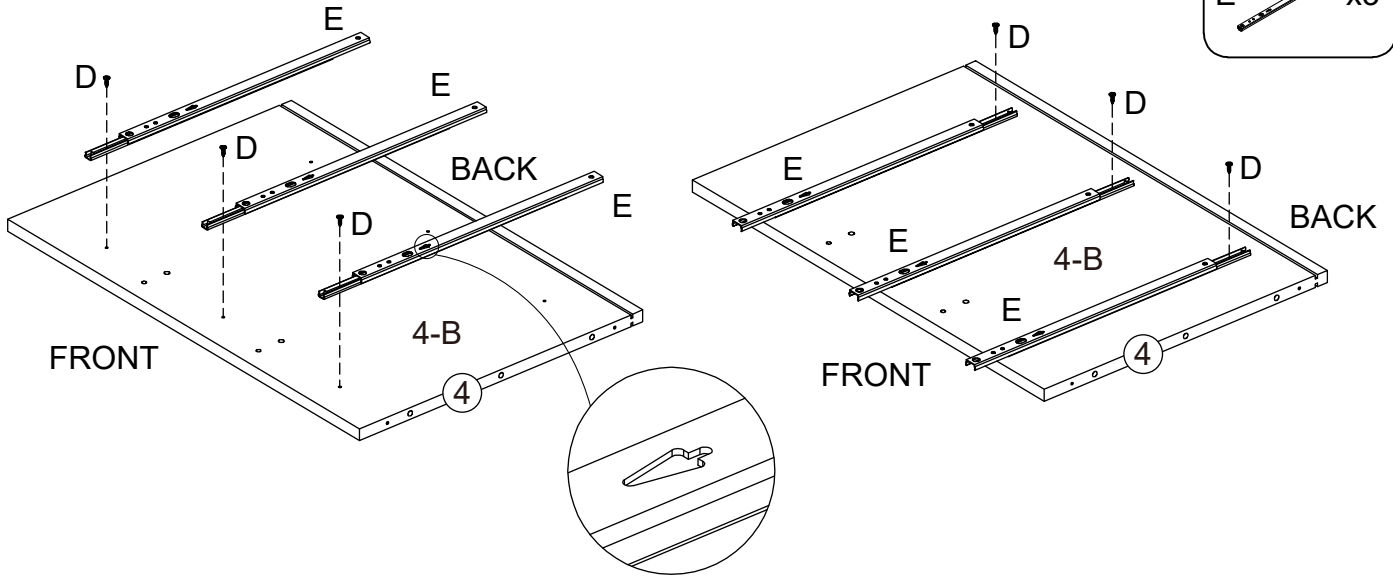
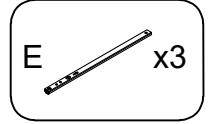
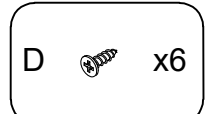
Pay attention to the arrow direction of the slide rail when installing



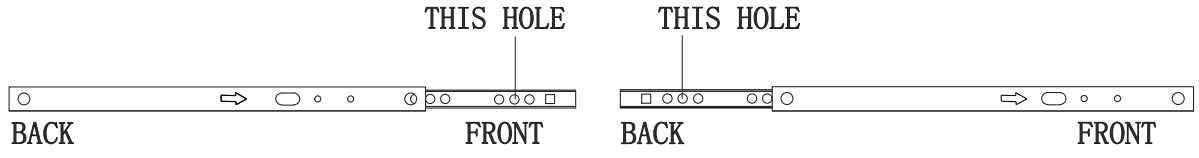
5



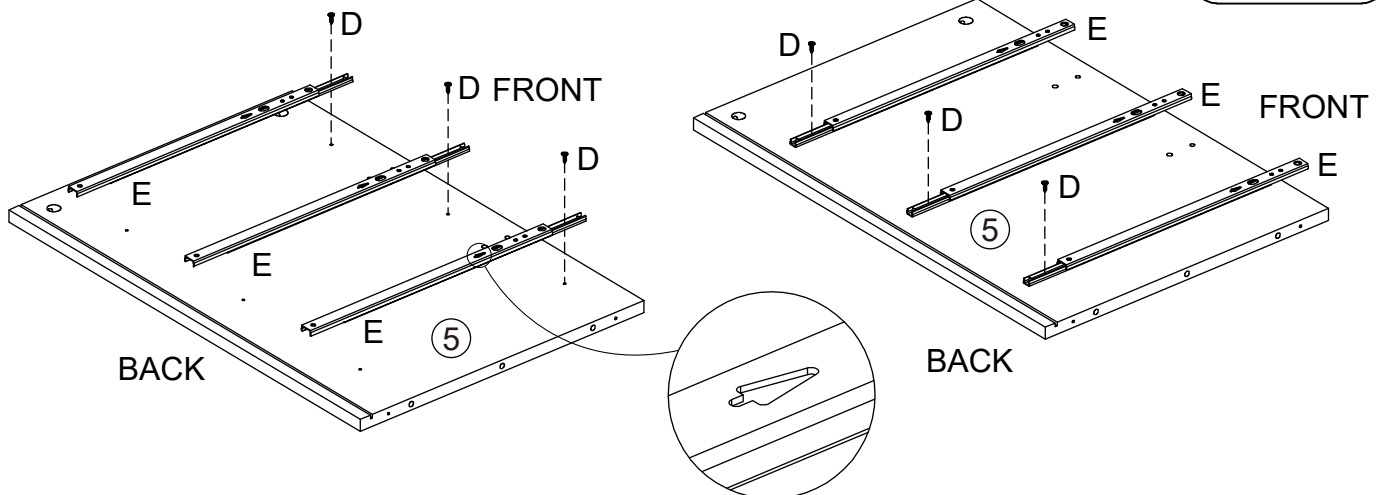
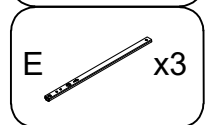
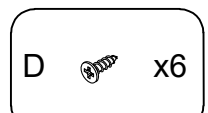
Pay attention to the arrow direction of the slide rail when installing



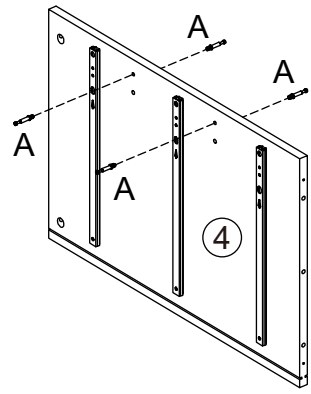
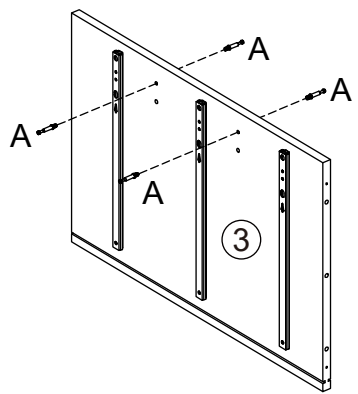
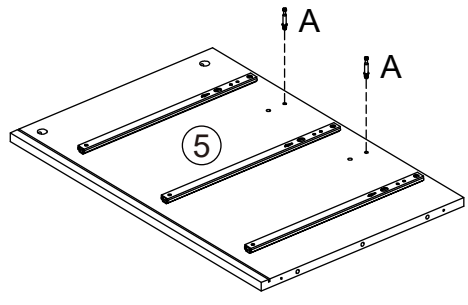
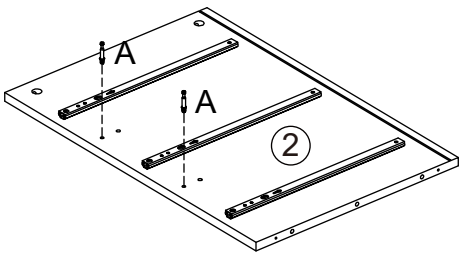
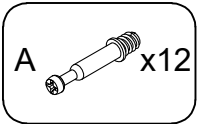
6



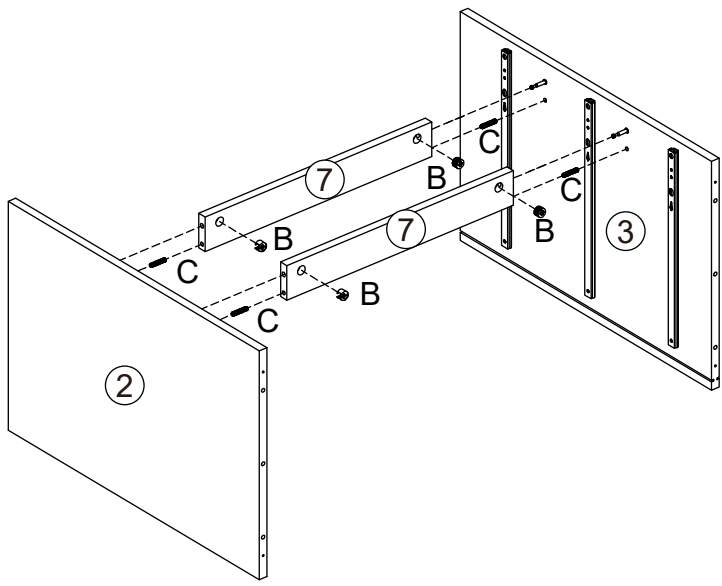
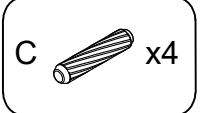
Pay attention to the arrow direction of the slide rail when installing



7




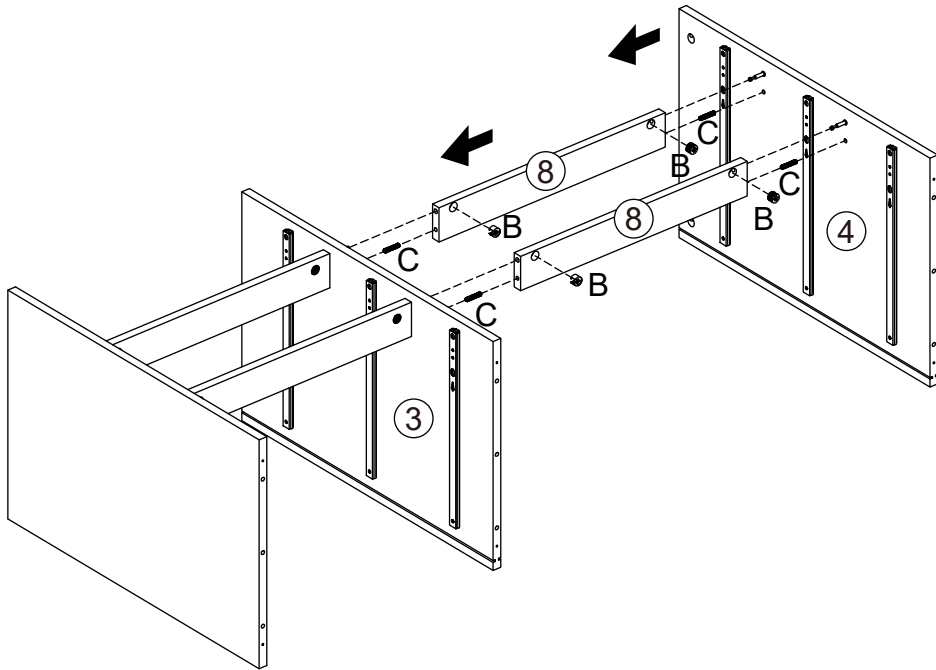
8



9


B  x4

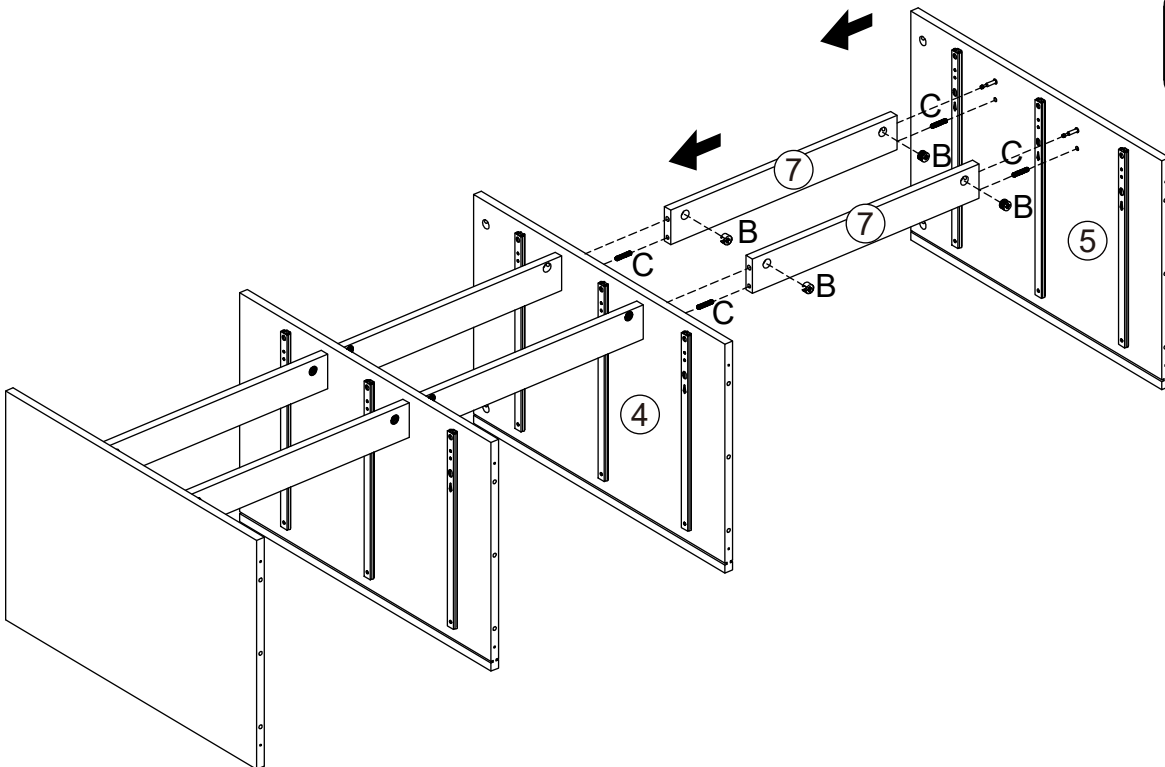
C  x4



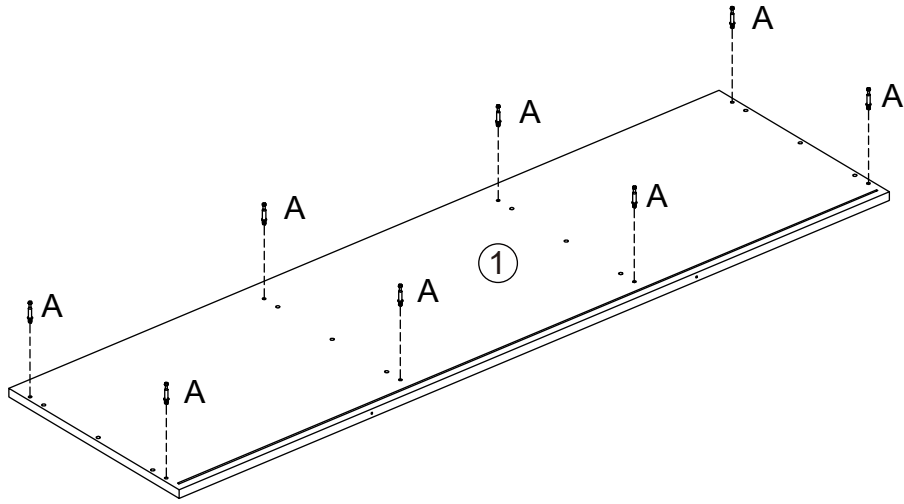
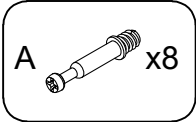
10

B  x4

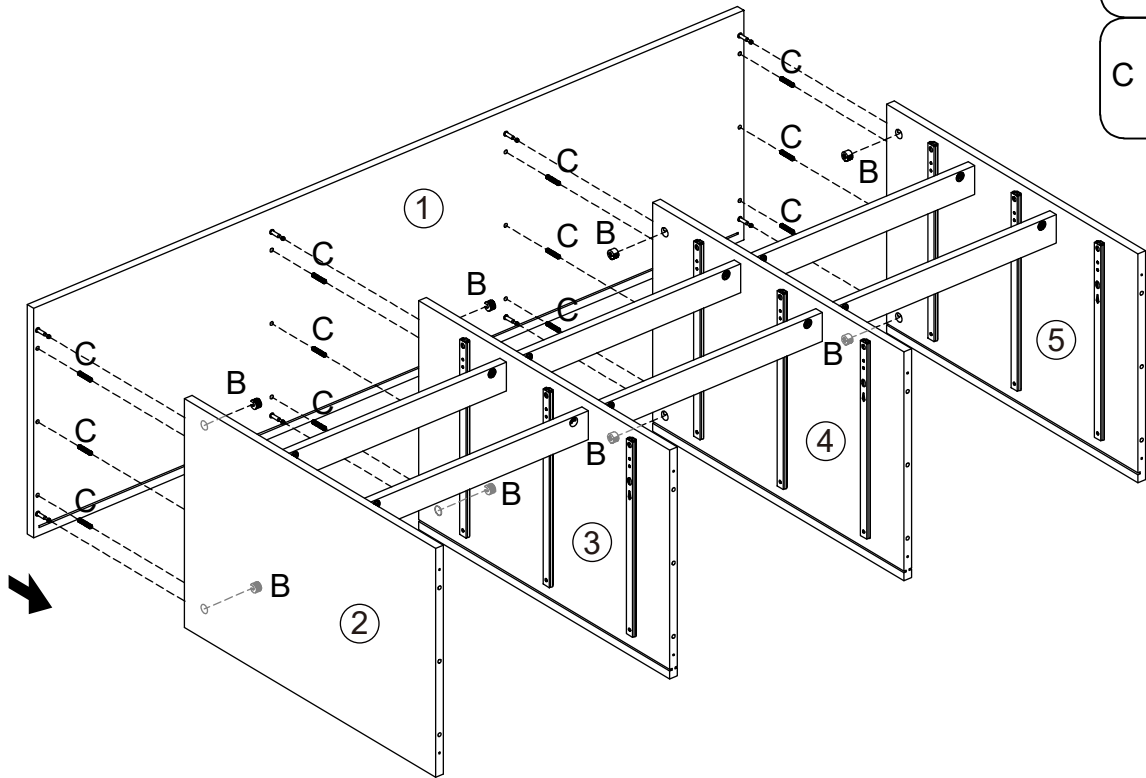
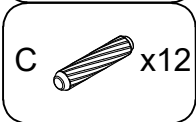
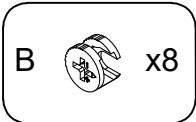
C  x4



11

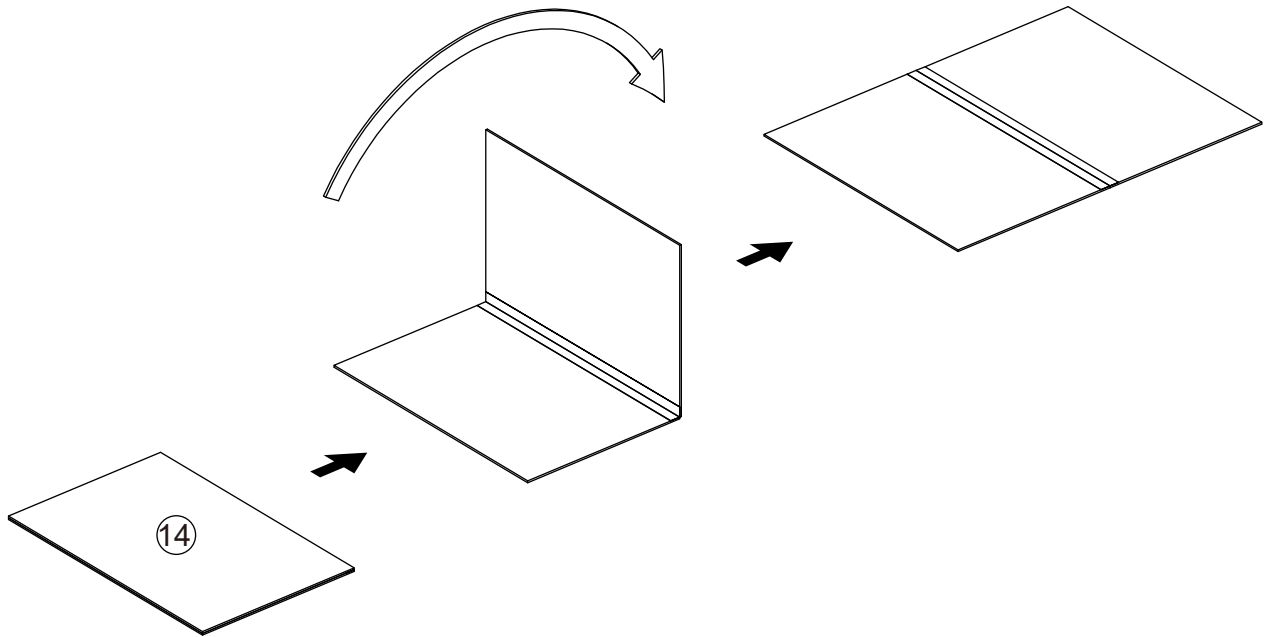


12

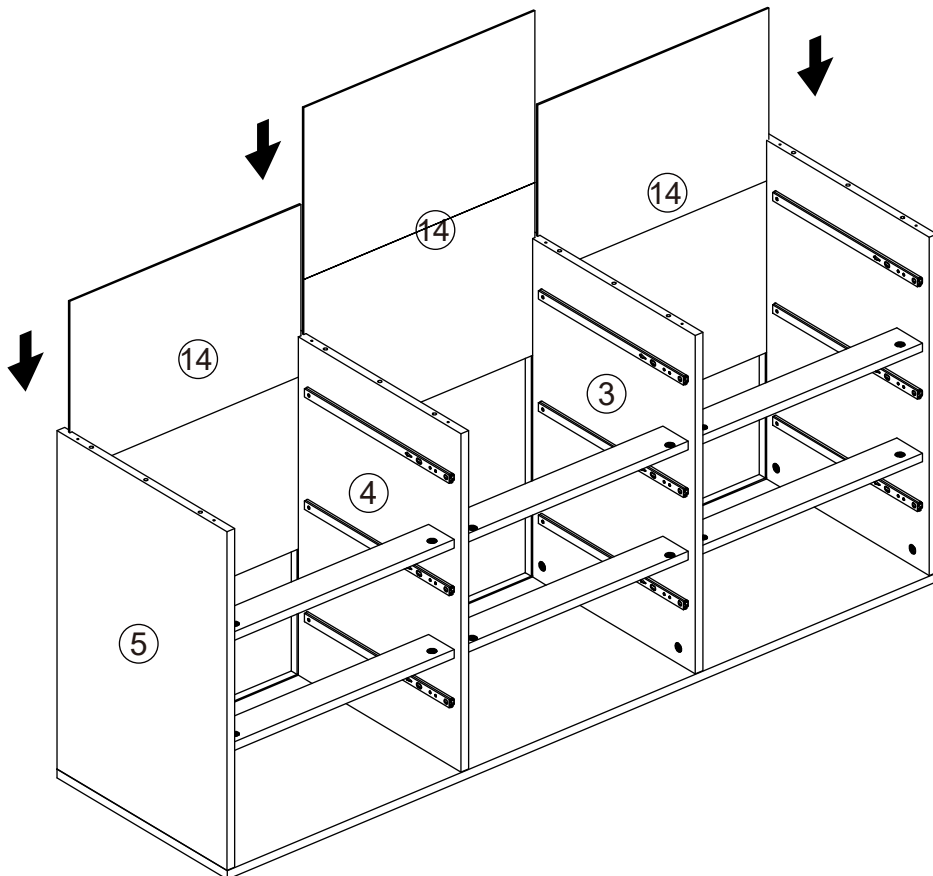


13

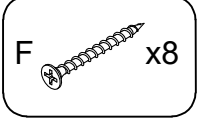
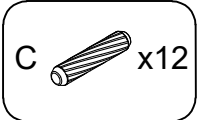
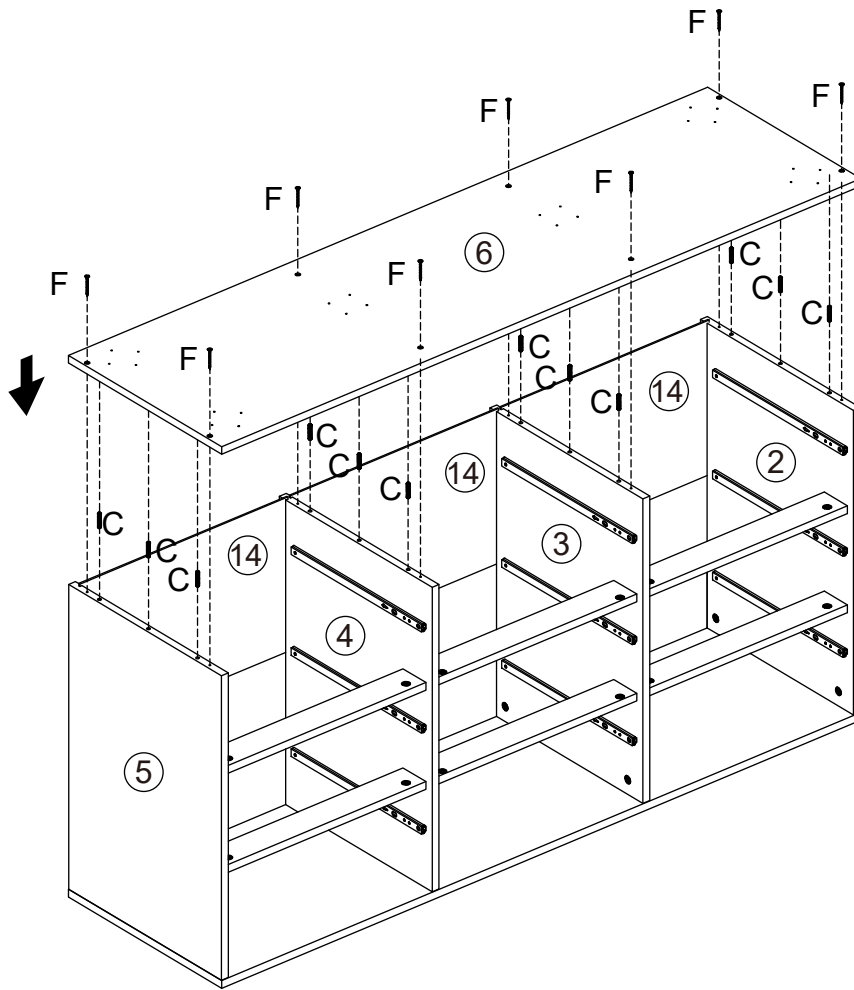
x3



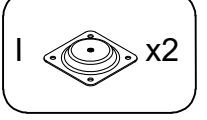
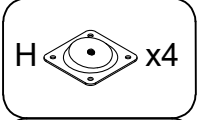
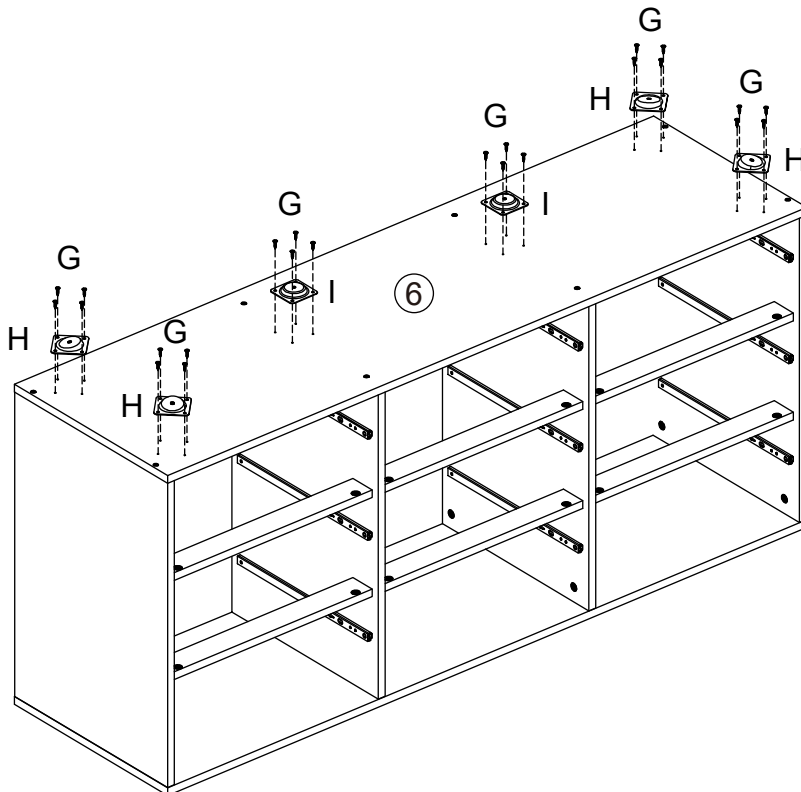
14



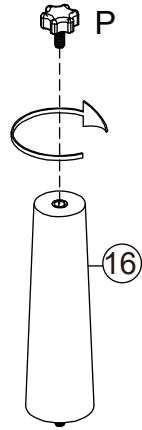
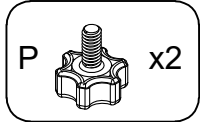
15



16

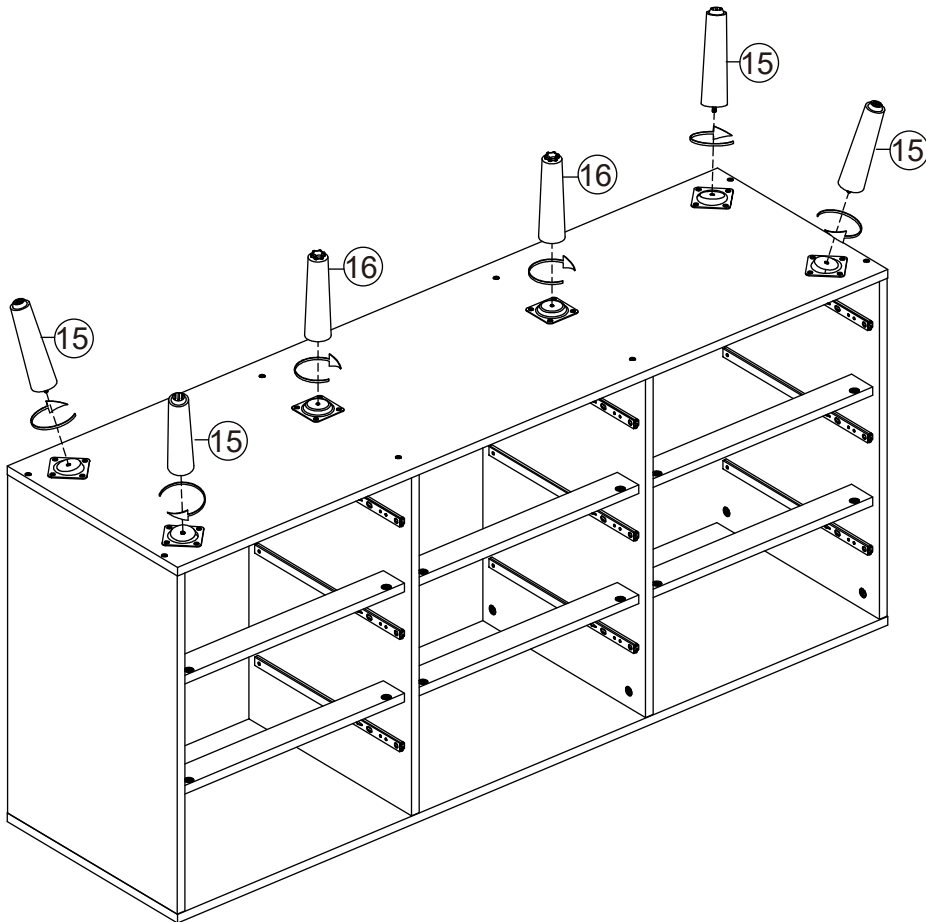


17

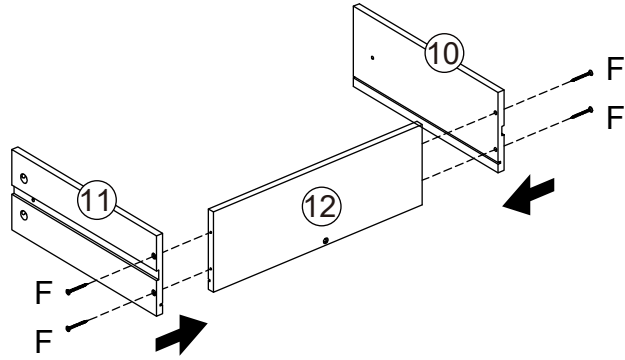


x2

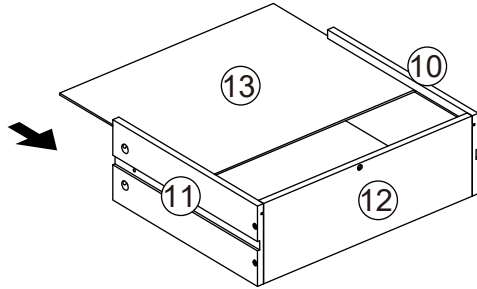
18



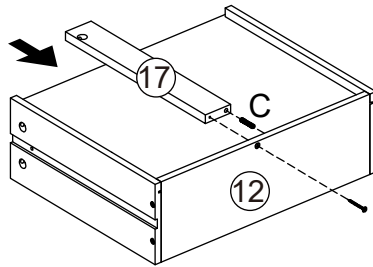
19



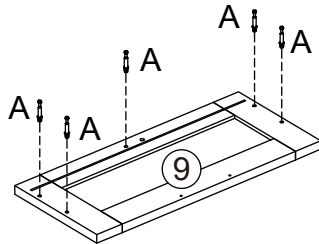
x9



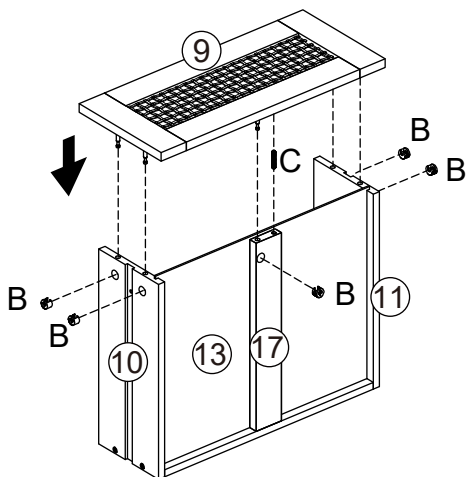
x9



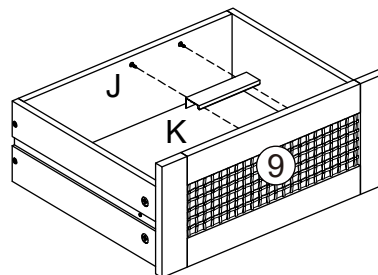
x9








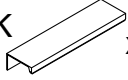
x9



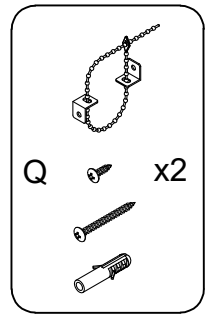
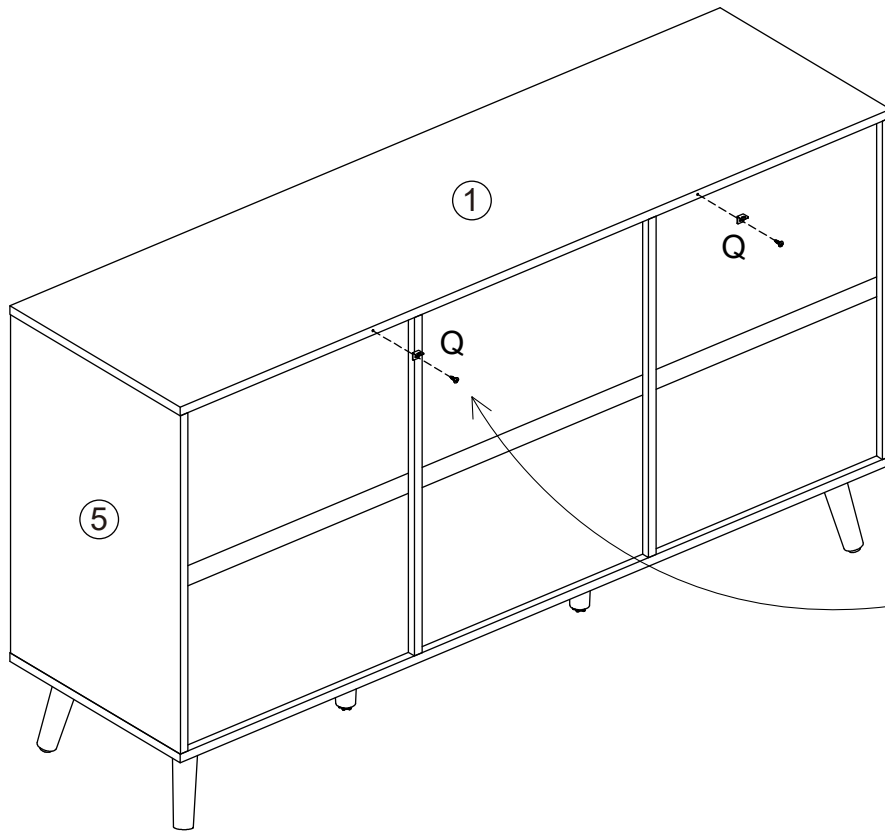
x9



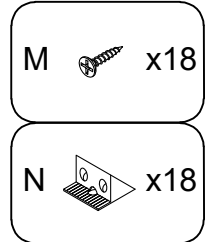
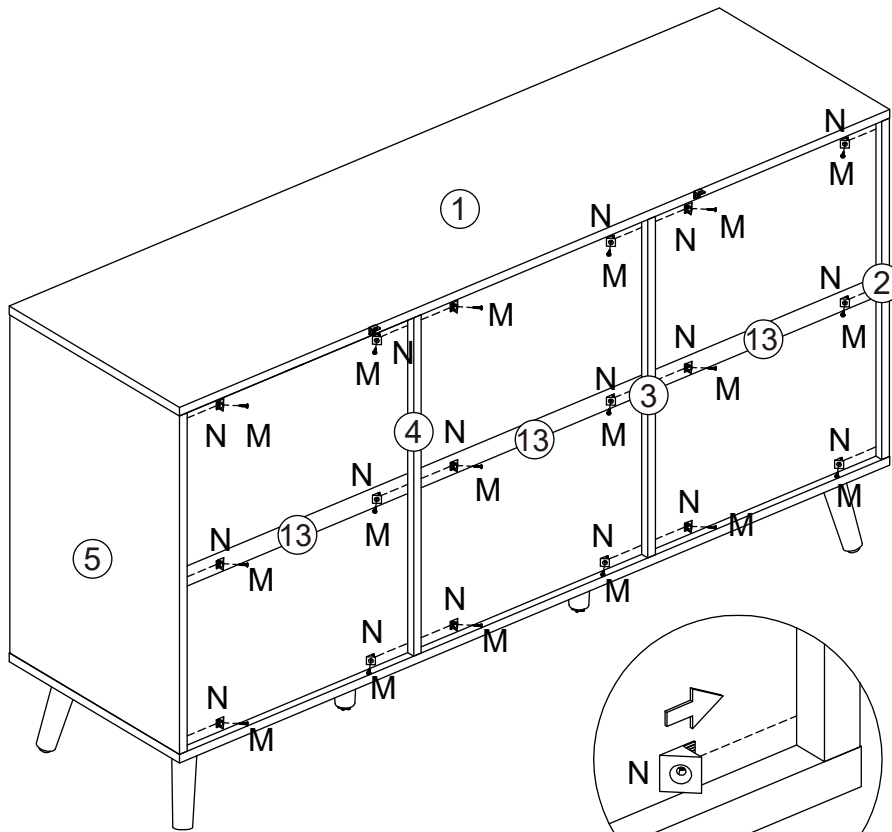
x9

- A  x45
- B  x45
- C  x18
- F  x45
- J  x18
- K  x9


20

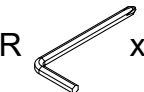


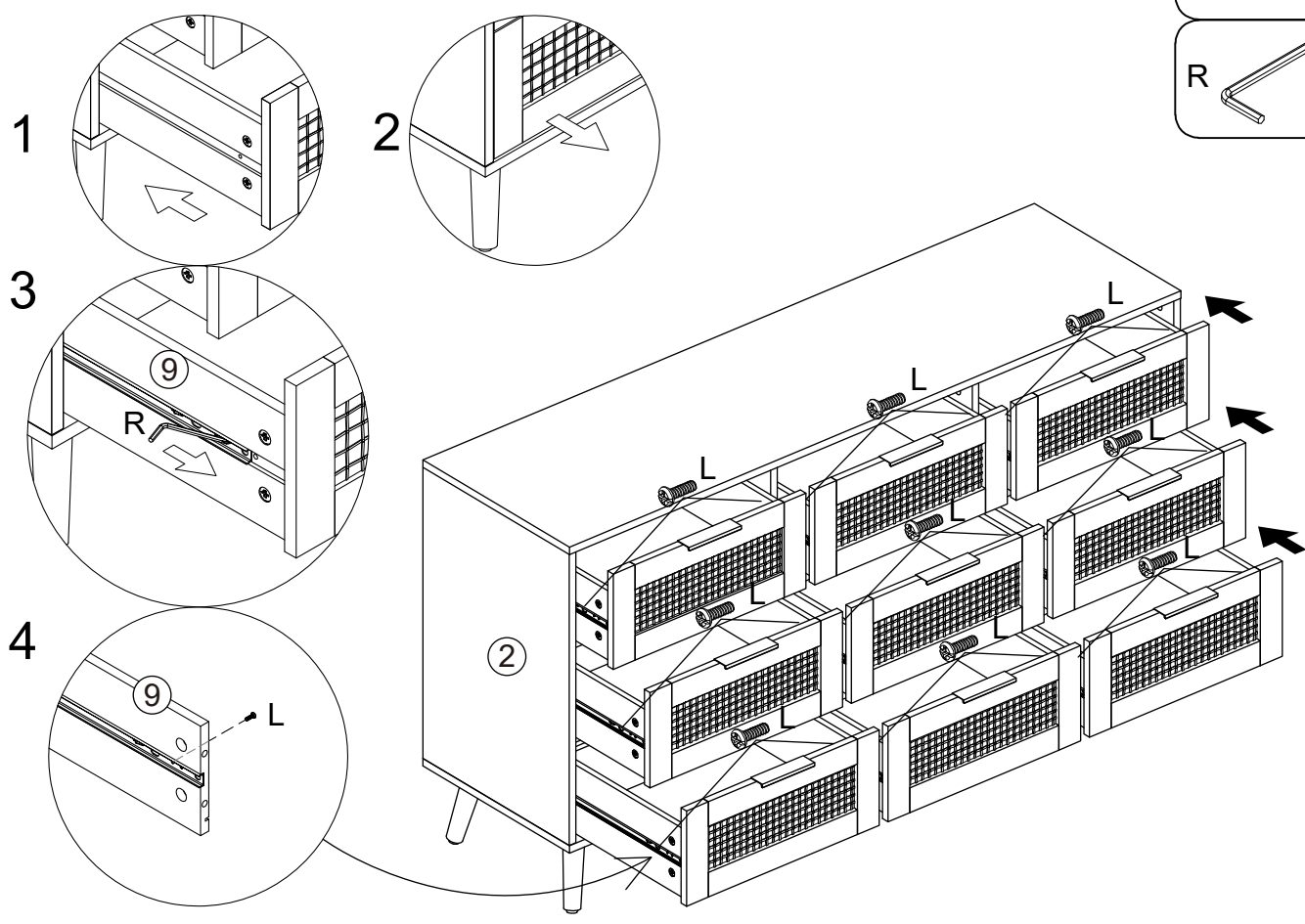
21



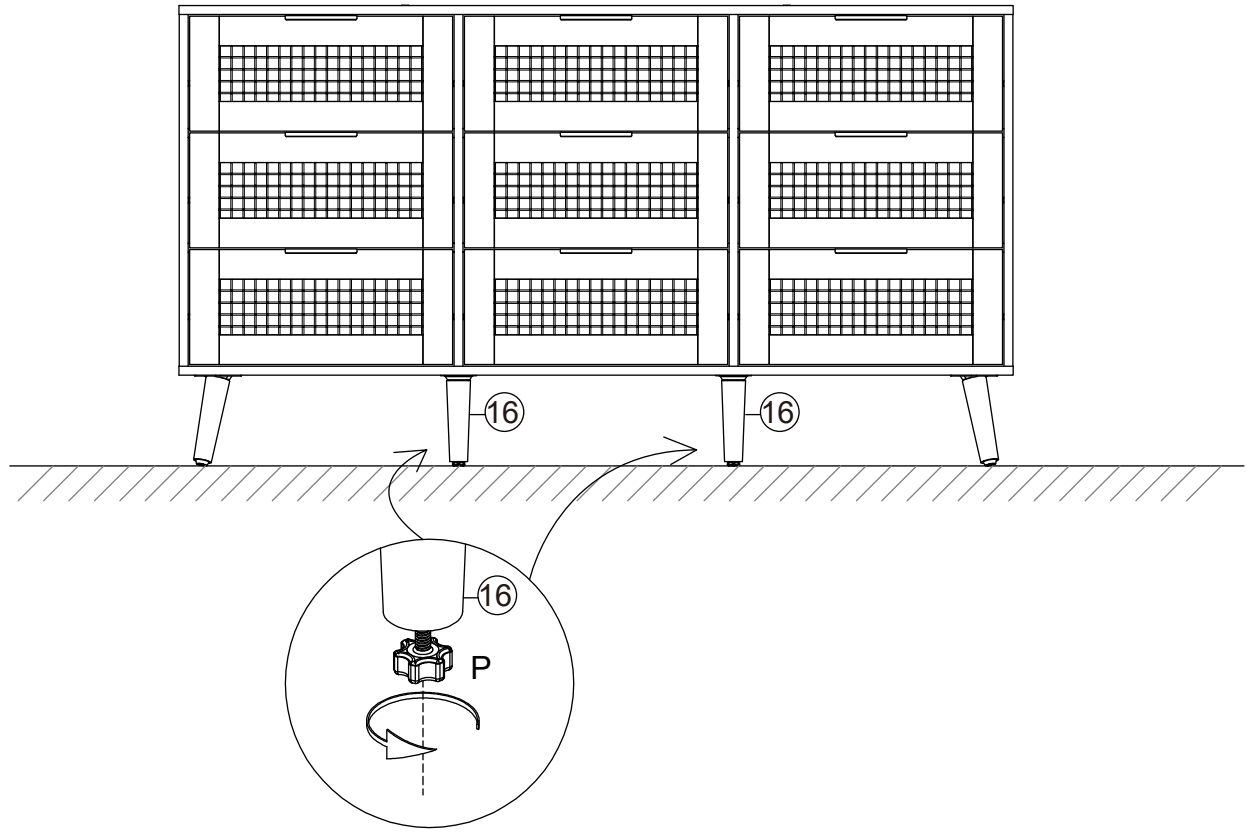
22

L  x18

R  x1



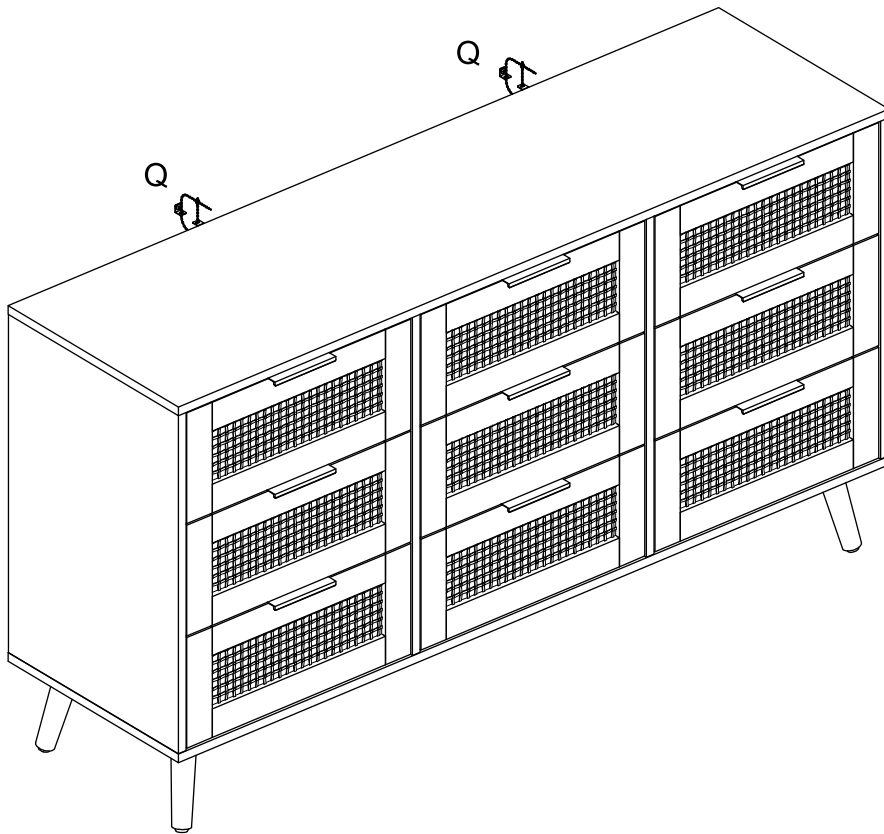
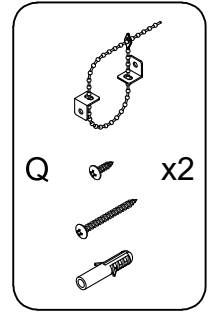
23



24



Prevent tipping



- 1
- 2
- 3
- 4
- 5

Thank you very much for purchasing from us.

We have always been trying to provide the best service and reliable products for every customer.

We sincerely hope you will be satisfied with our products and leave us comment.

However, accident may happen sometimes, please don't worry, if your item arrives defectived, we will send replacement at no charge for defect parts or help you to return.

Many thanks and welcome to our shop again!

Customer Servcie E-mail: uevsupport@163.com
Contact number: (323) 393-8260

