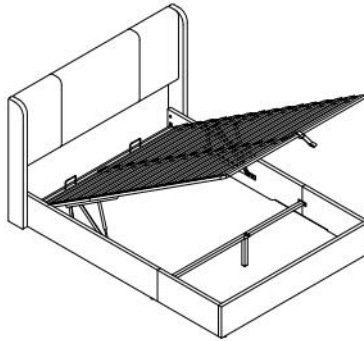


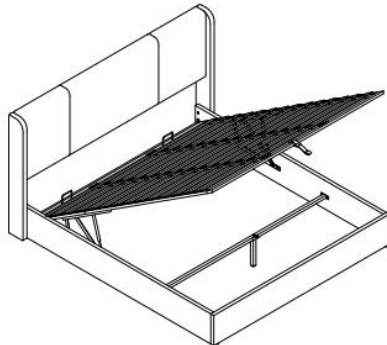
# ASSEMBLY NOTE

---

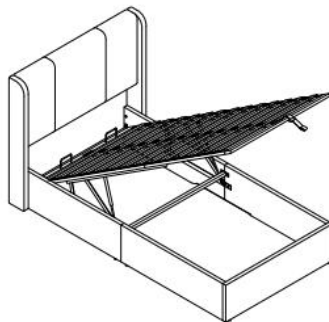
**Prior to assembly, please use the manual that matches the size of your purchase. Assembly structures, part numbers, and quantities vary by size.**



**Installation And Assembly-Full&Queen**



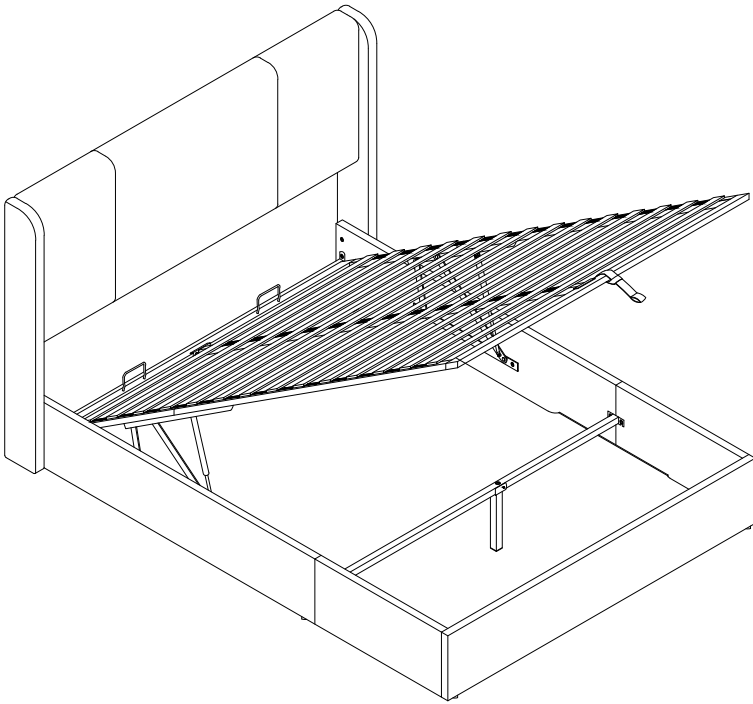
**Installation And Assembly-King**



**Installation And Assembly-Twin**

# ASSEMBLY INSTRUCTION

## Full&Queen Bed



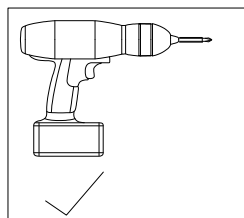
**WARNING: OPEN THE HEADBOARD BACK ZIPPER, THE BED REST PARTS IN IT.**



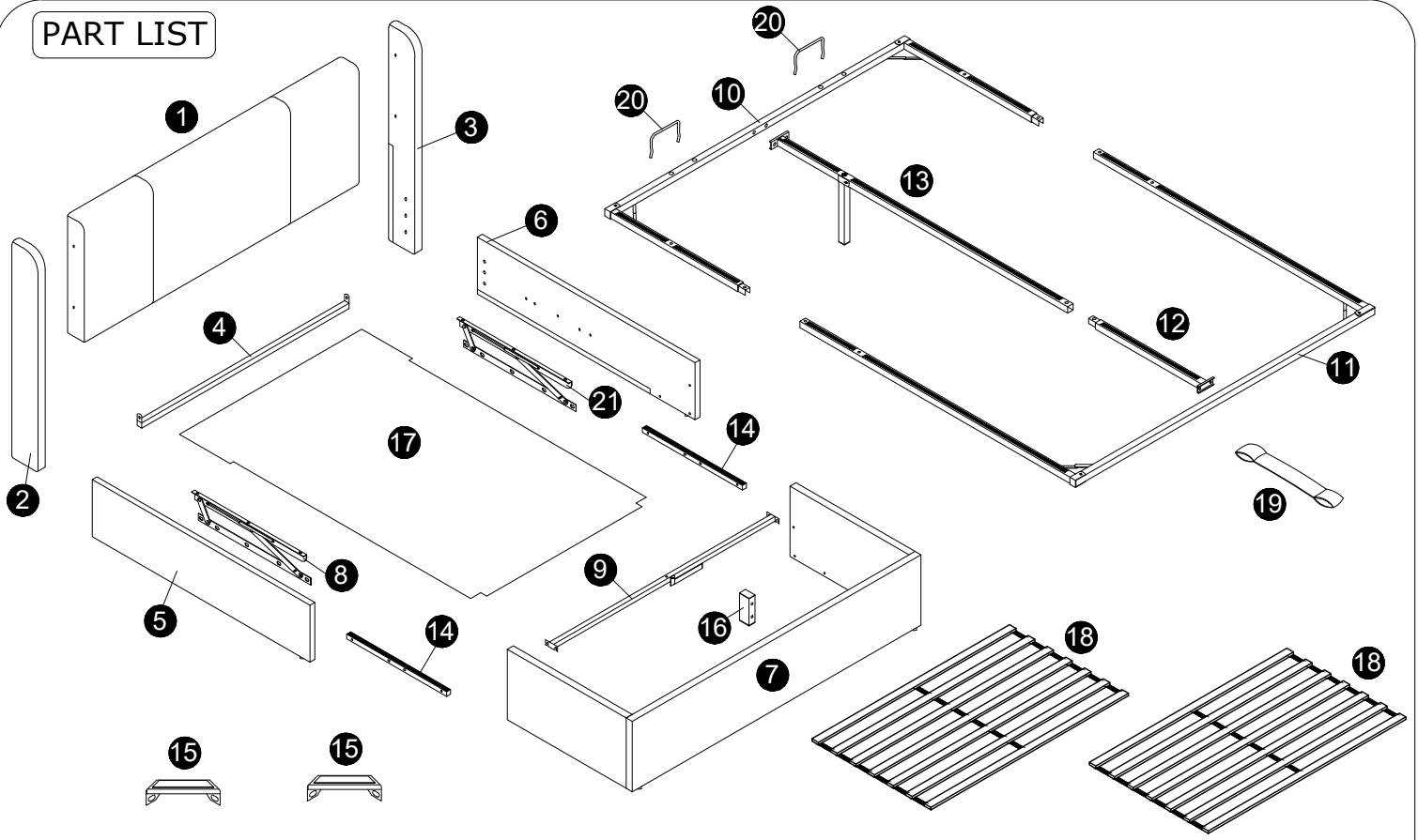
**Please TEAR OFF this shrink film from side!  
DO NOT USE CUTTER!**

### IMPORTANT NOTE

- 1. PLEASE OPEN THE ZIPPER LOCATED ON THE HEADBOARD TO ACCESS ALL THE OTHER COMPONENTS BEFORE PROCEEDING WITH THE ASSEMBLY.**
2. FOR THE PROTECTION OF YOUR FURNITURE, PLACE ALL PARTS ON A CLEAN AND SMOOTH SURFACE TO PREVENT ANY DAMAGE.
3. DO NOT USE POWER TOOLS TO ASSEMBLE THE BED.
4. PLEASE PERIODICALLY CHECK ALL FITTINGS AND RE-TIGHTEN AS NECESSARY.
5. DO NOT USE THE BED UNLESS ALL BOLTS AND SCREWS ARE FIRMLY SECURED.
6. NEED PARTS OR ASSISTANCE? EMAIL US AT [Wayfair Team](#)
7. YOU CAN ASSEMBLE IT WITH OUR PACKAGING TOOLS OR WITH A.

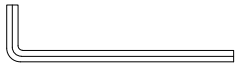


# PART LIST



<b>1</b> x 1pc	<b>2</b> x 1pc	<b>3</b> x 1pc	<b>4</b> x 1pc	<b>5</b> x 1pc
<b>6</b> x 1pc	<b>7</b> x 1pc	<b>8</b> x 1pc	<b>9</b> x 1pc	<b>10</b> x 1pc
<b>11</b> x 1pc	<b>12</b> x 1pc	<b>13</b> x 1pc	<b>14</b> x 2pcs	<b>15</b> x 2pcs
<b>16</b> x 1pc	<b>17</b> x 1pc	<b>18</b> x 2pcs	<b>19</b> x 1pc	<b>20</b> x 2pcs
<b>21</b> x 1pc				

## HARDWARE LIST



H1 M5 x 1pc



H2 M8x25mm x 23pcs



H3 M8x40mm x 12pcs



H4 M8x60mm x 2pcs



H5 M8 x 51pcs



H6 M8x17mm x 41pcs



H7 M8 x 6pcs



H8 M14 x 1pc



H9 M8x50mm x 14pcs

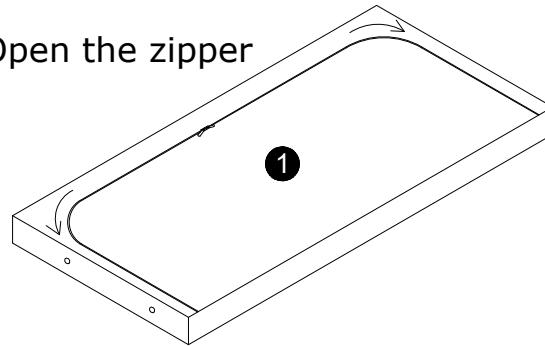


H10 M8x22mm x 10pcs

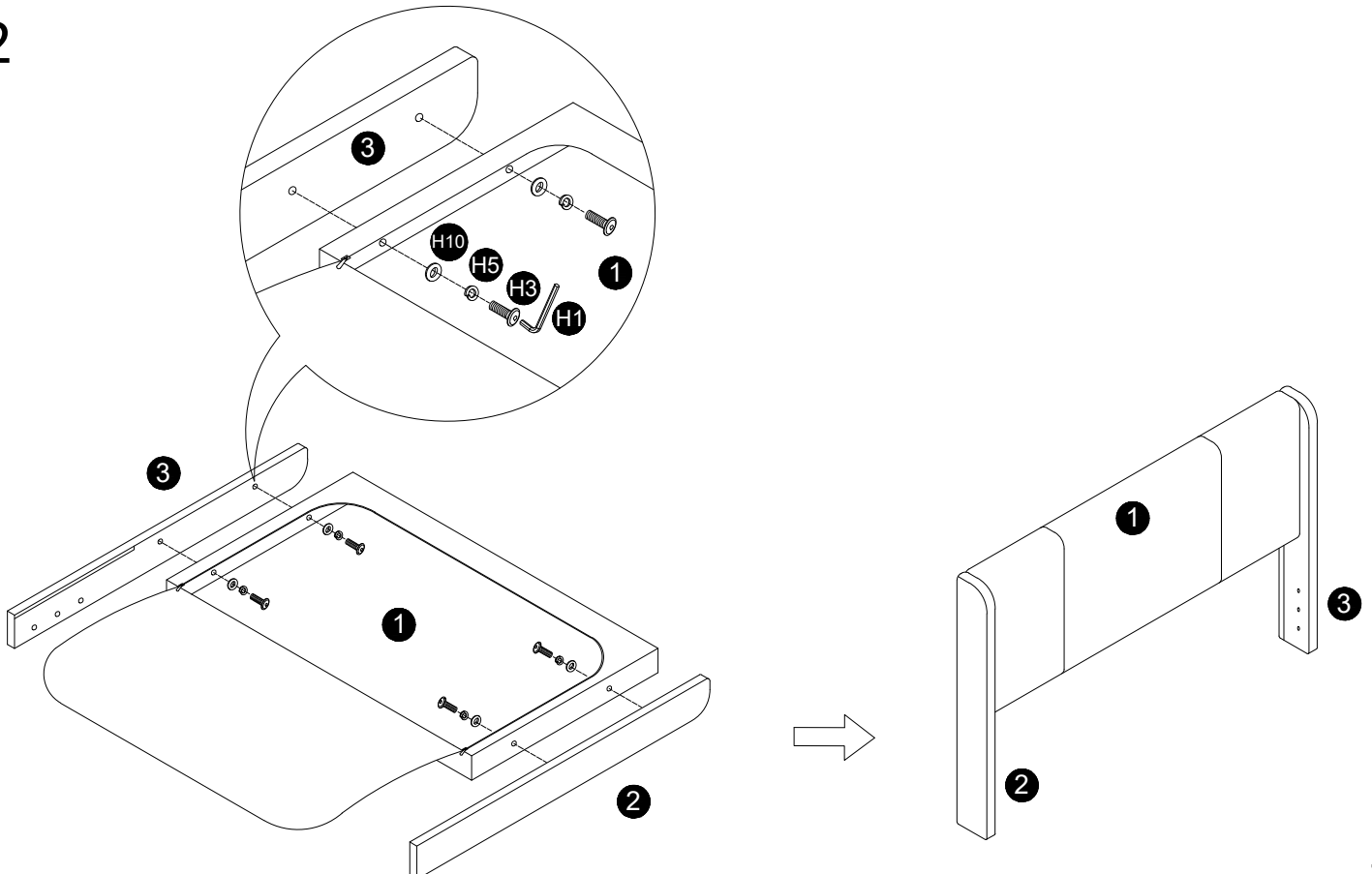
1

**NOTE:** PLEASE OPEN THE ZIPPER ON THE BACK OF 1 AND TAKE OUT THE PARTS.

Open the zipper

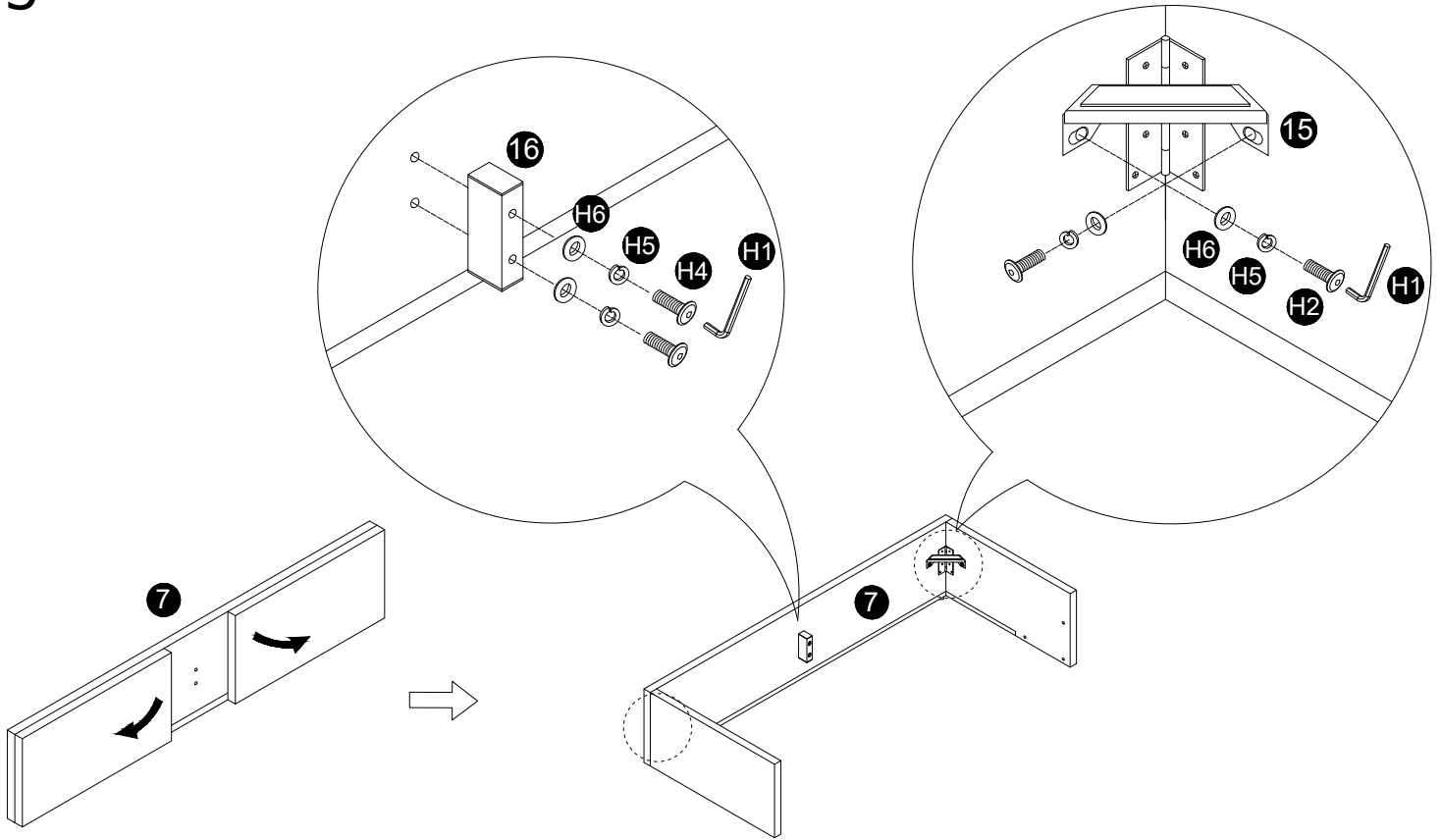


2

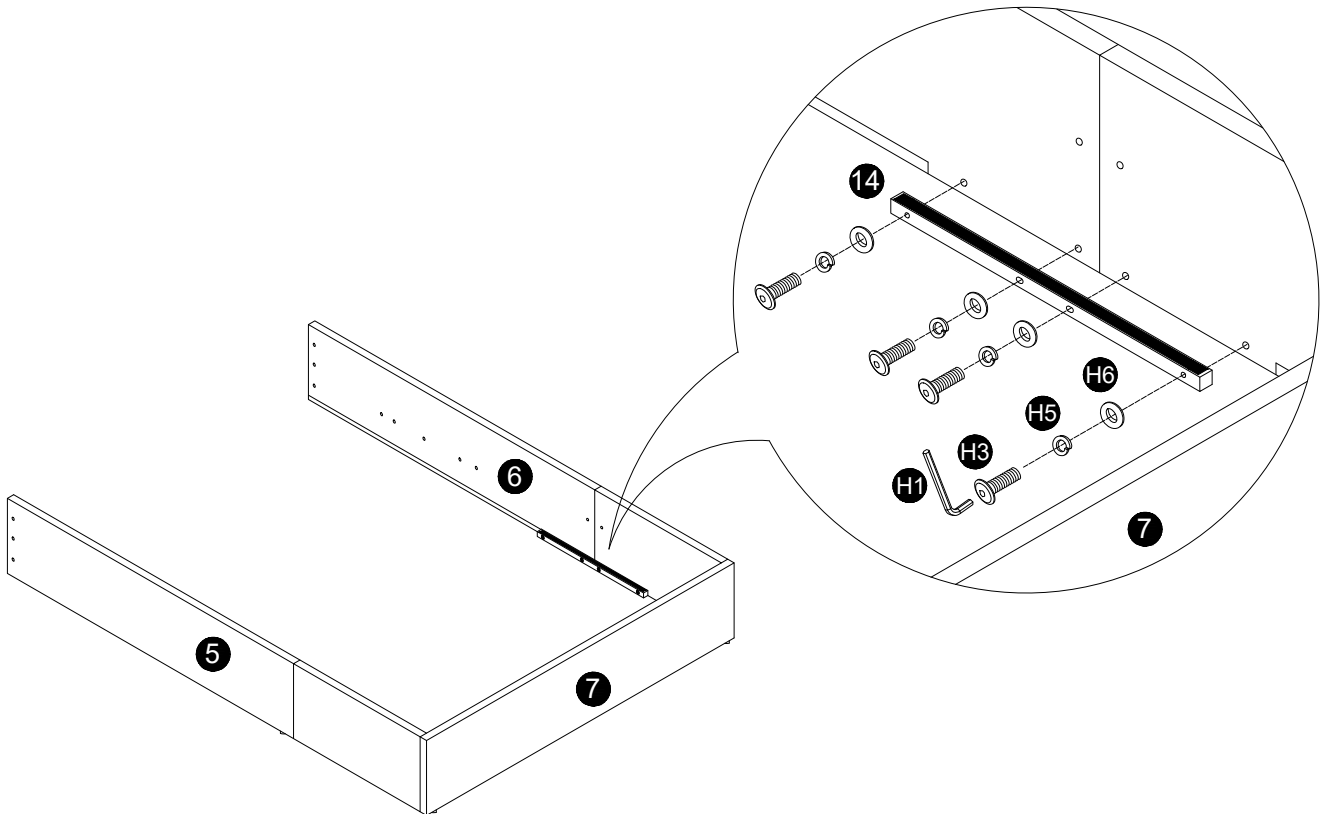


3

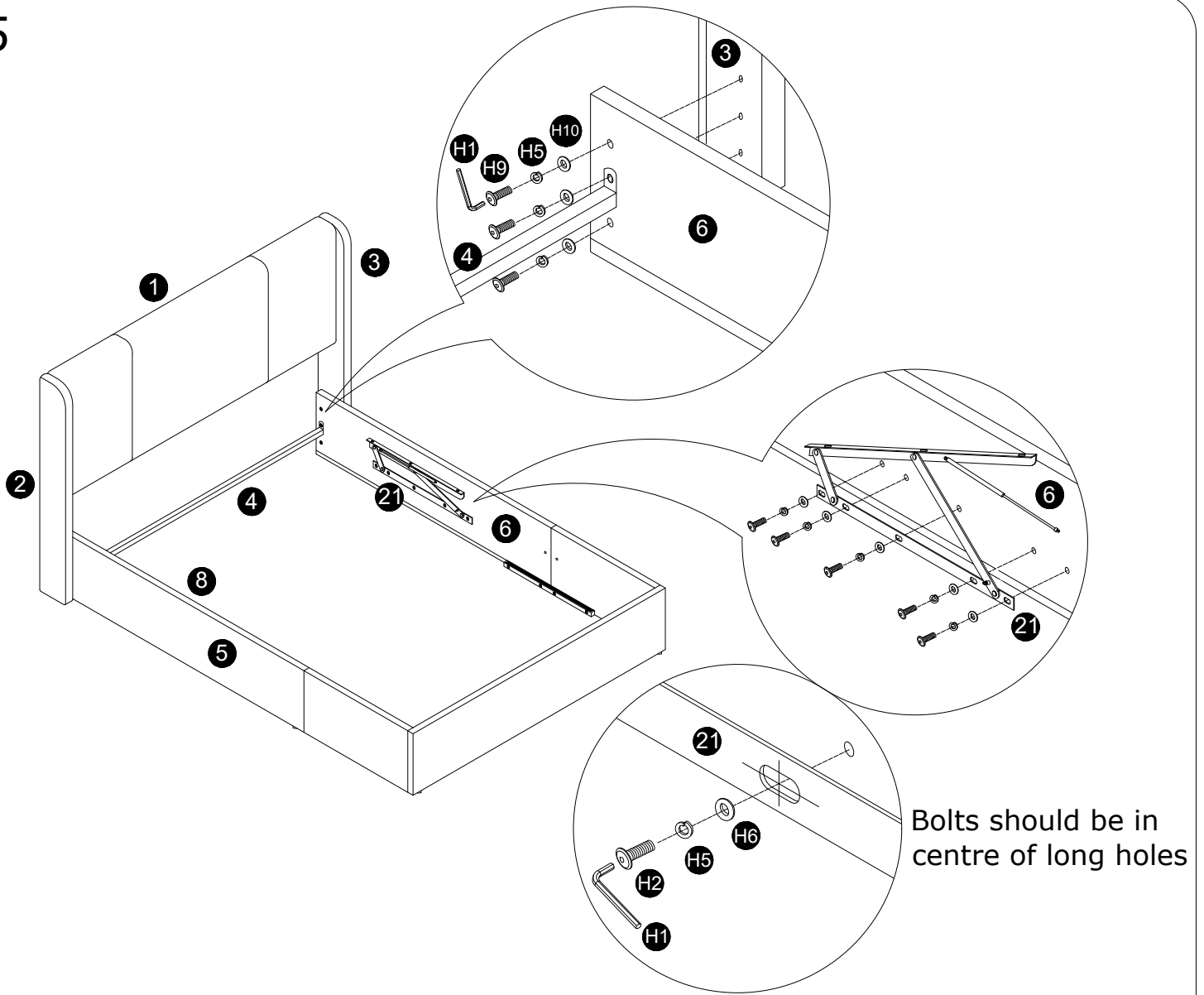
3



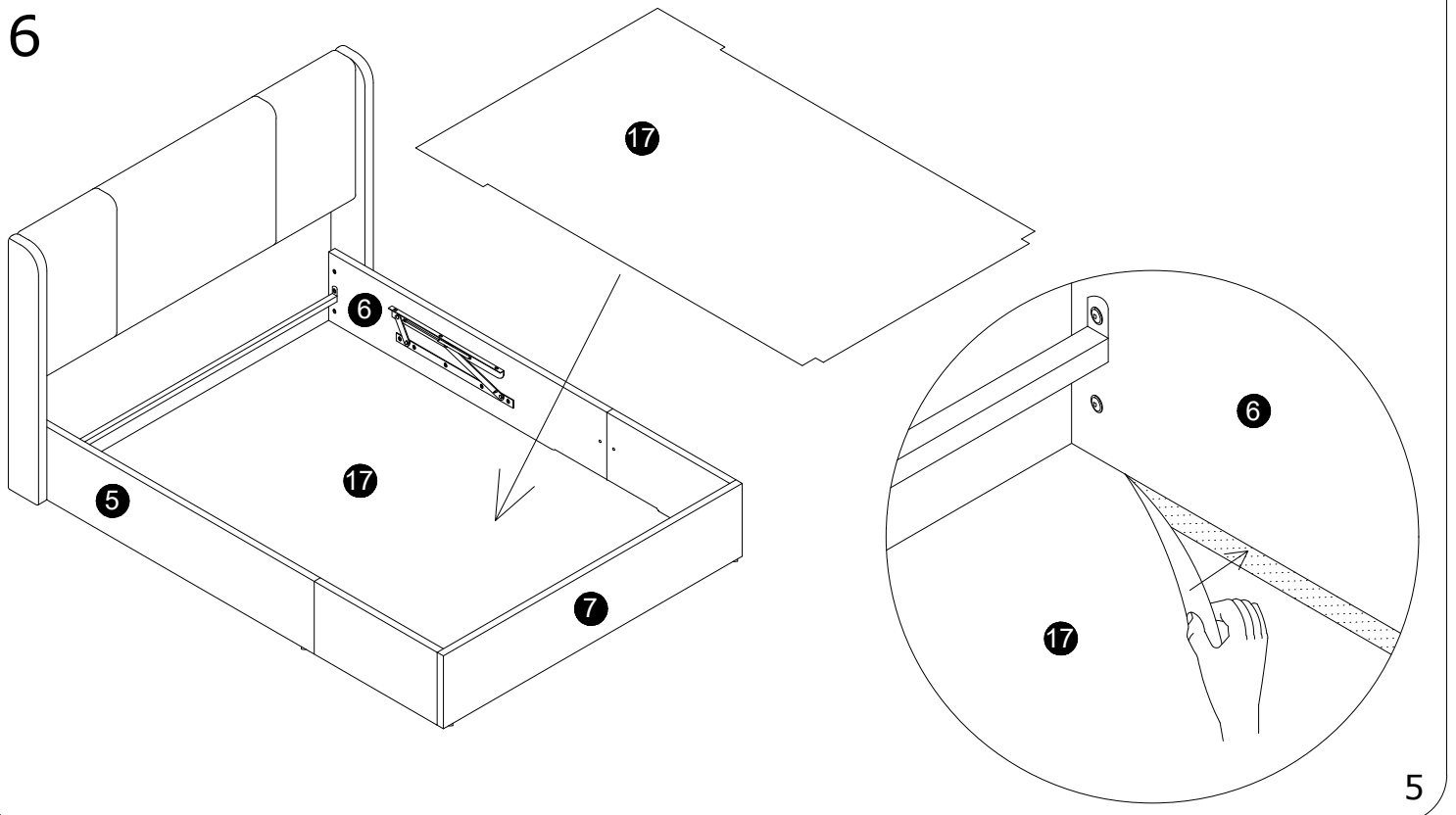
4



5



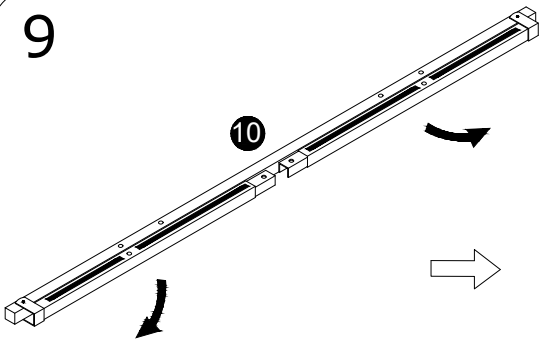
6



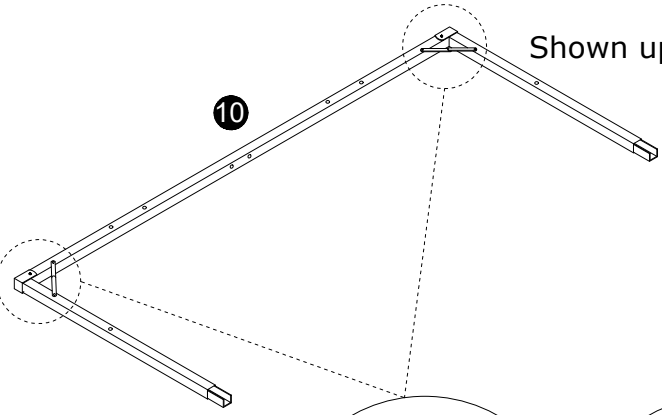
5



9

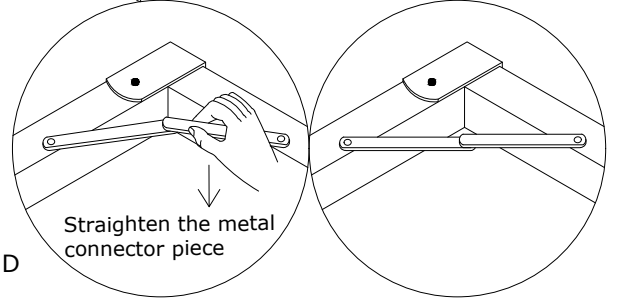


10



10

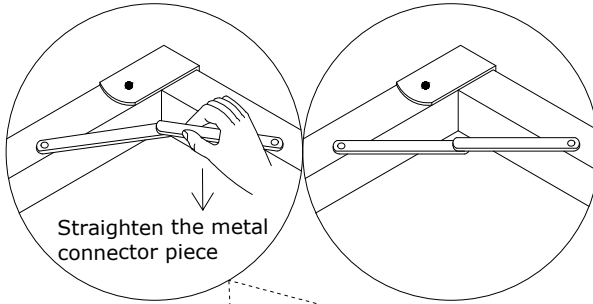
Shown upside down



Straighten the metal connector piece

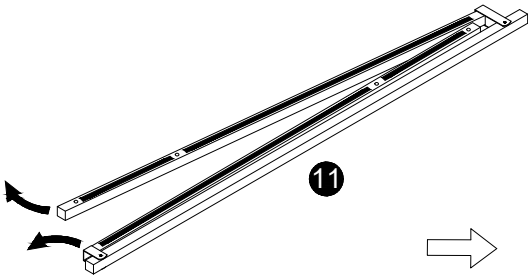
BEWARE OF CLAMP HAND

10

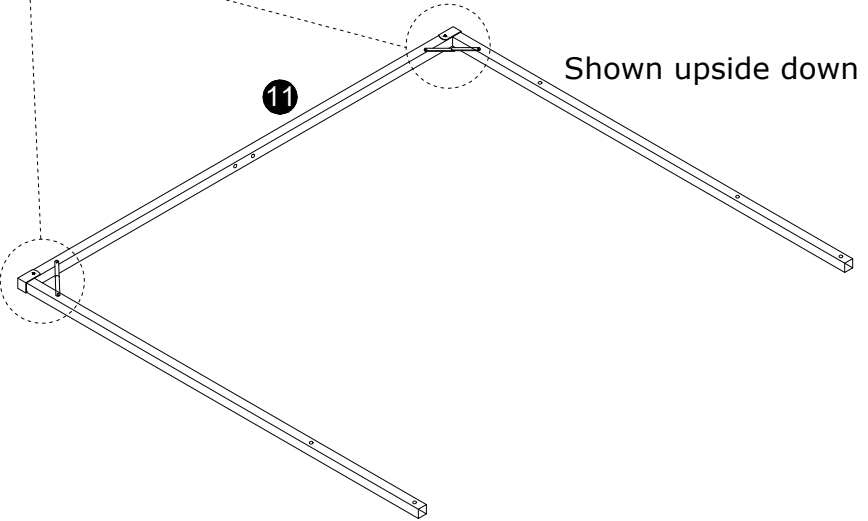


Straighten the metal connector piece

BEWARE OF CLAMP HAND



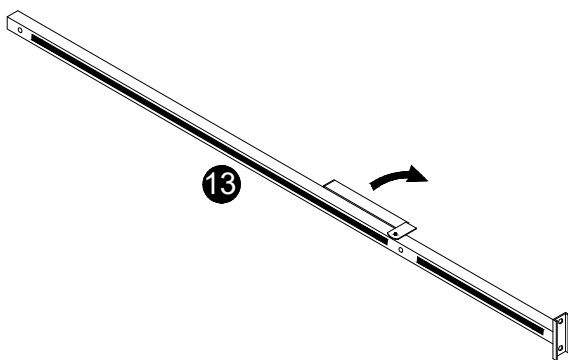
11



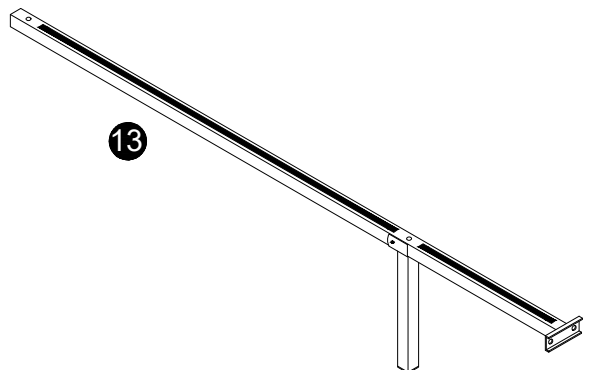
11

Shown upside down

11

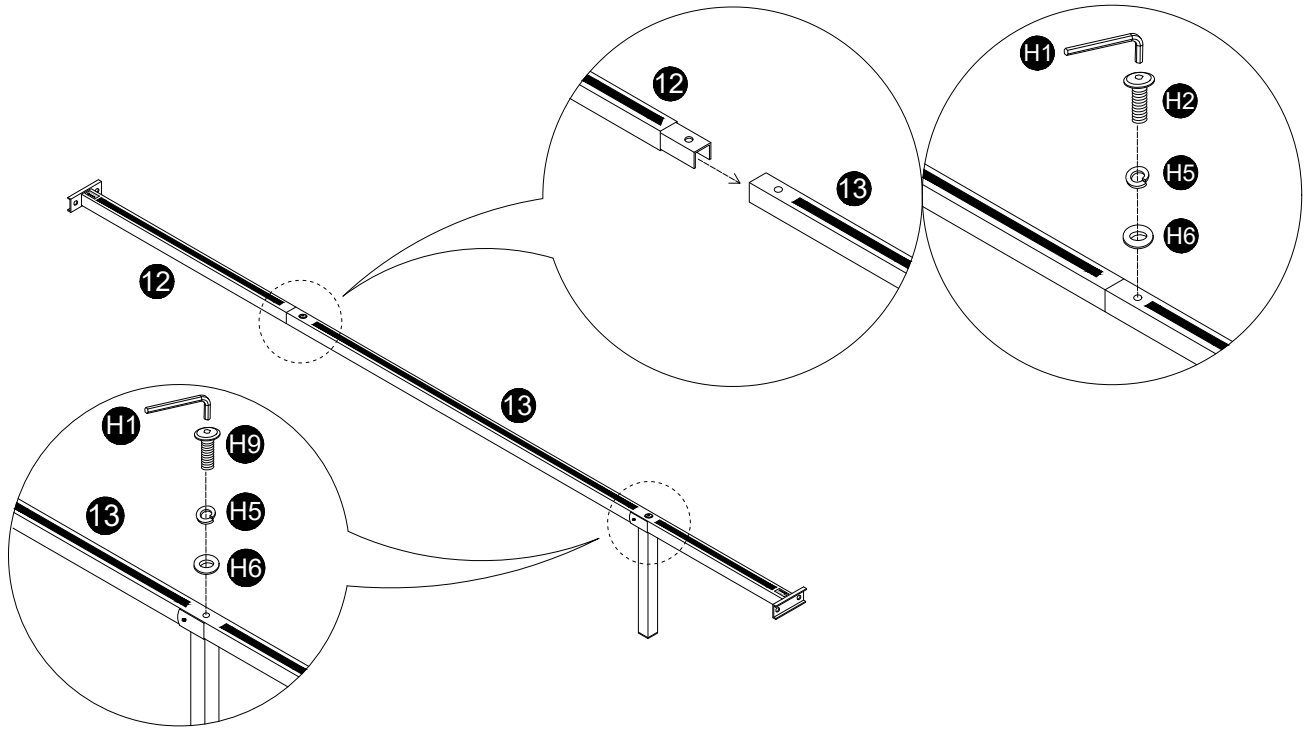


13

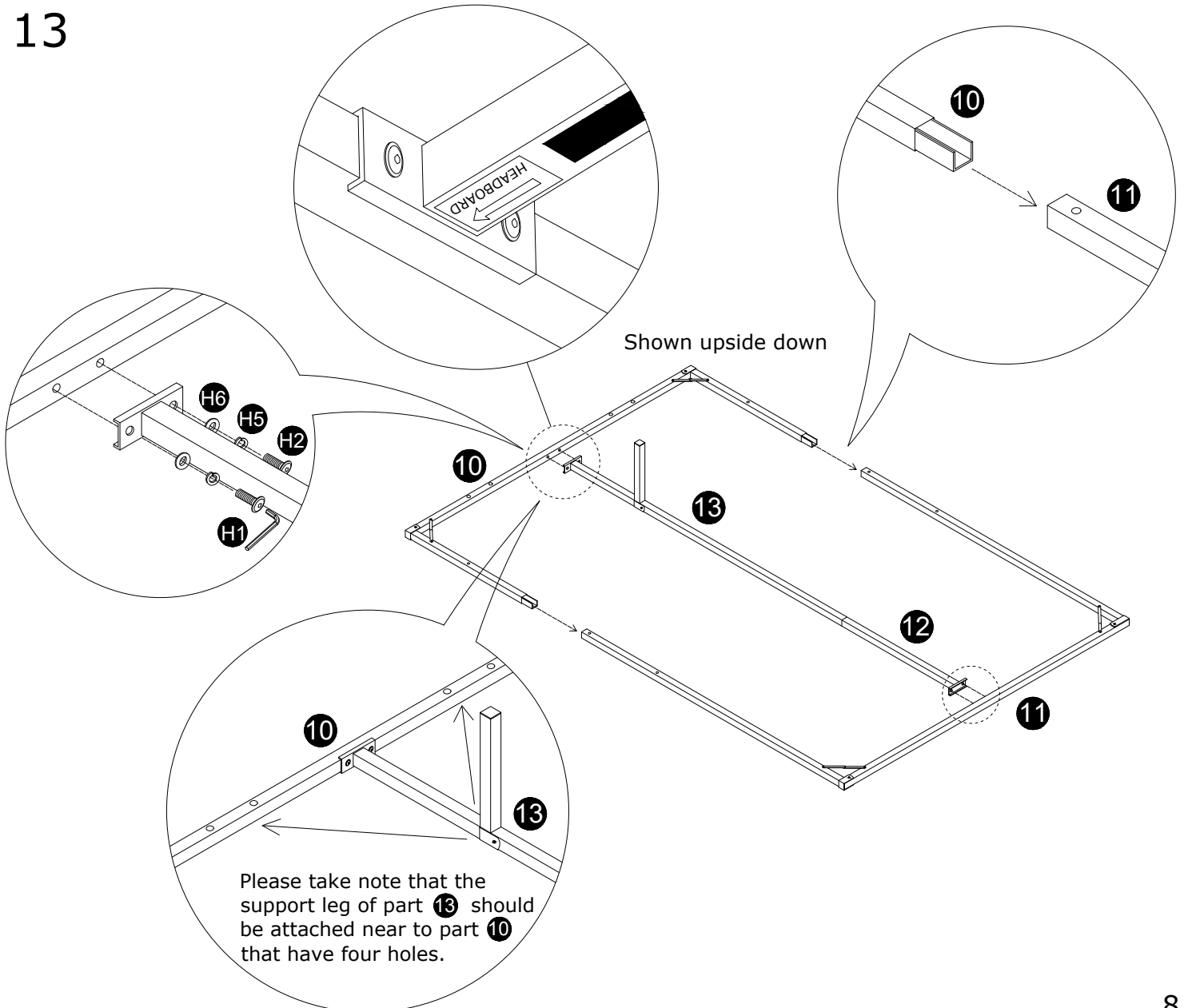


13

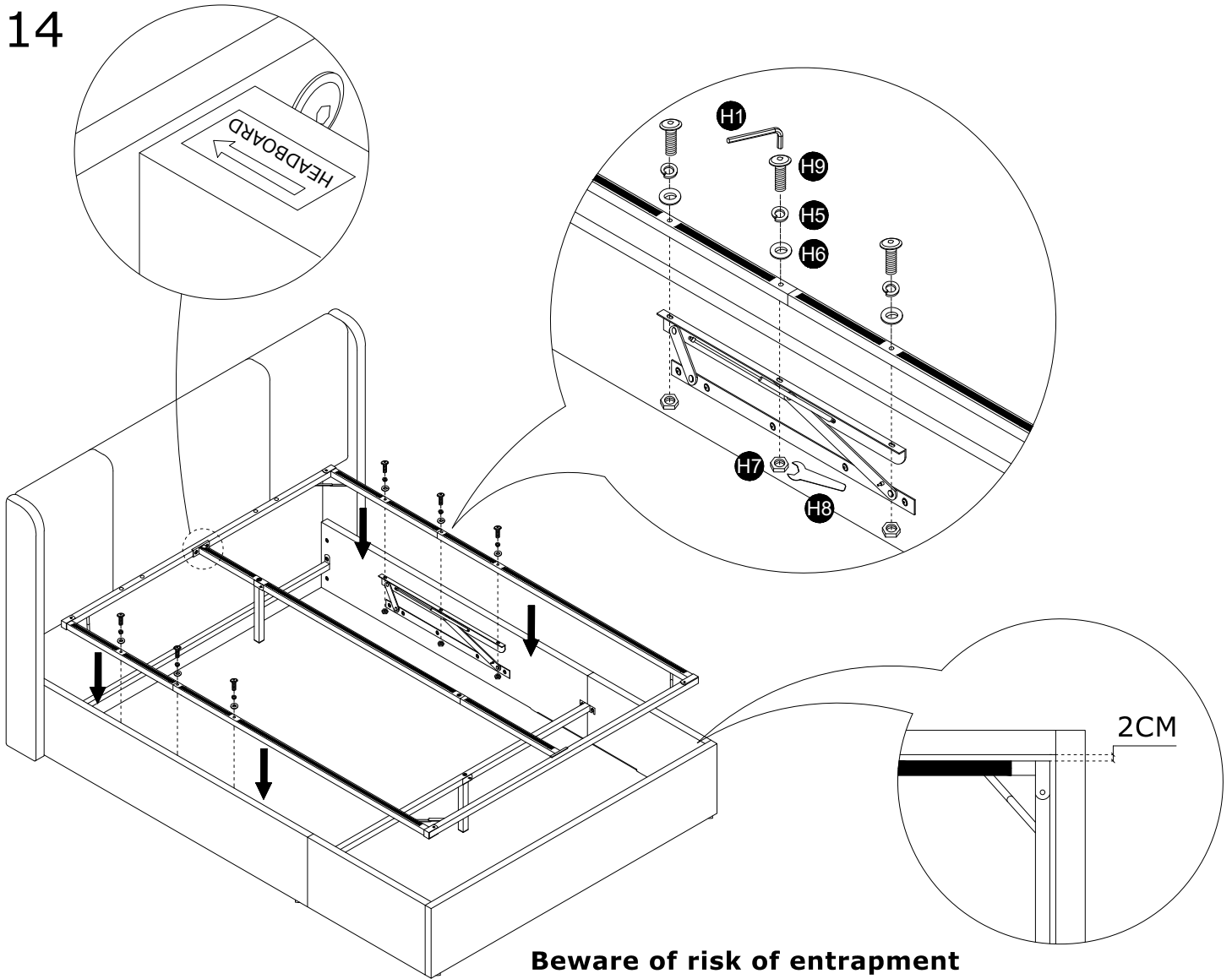
12



13

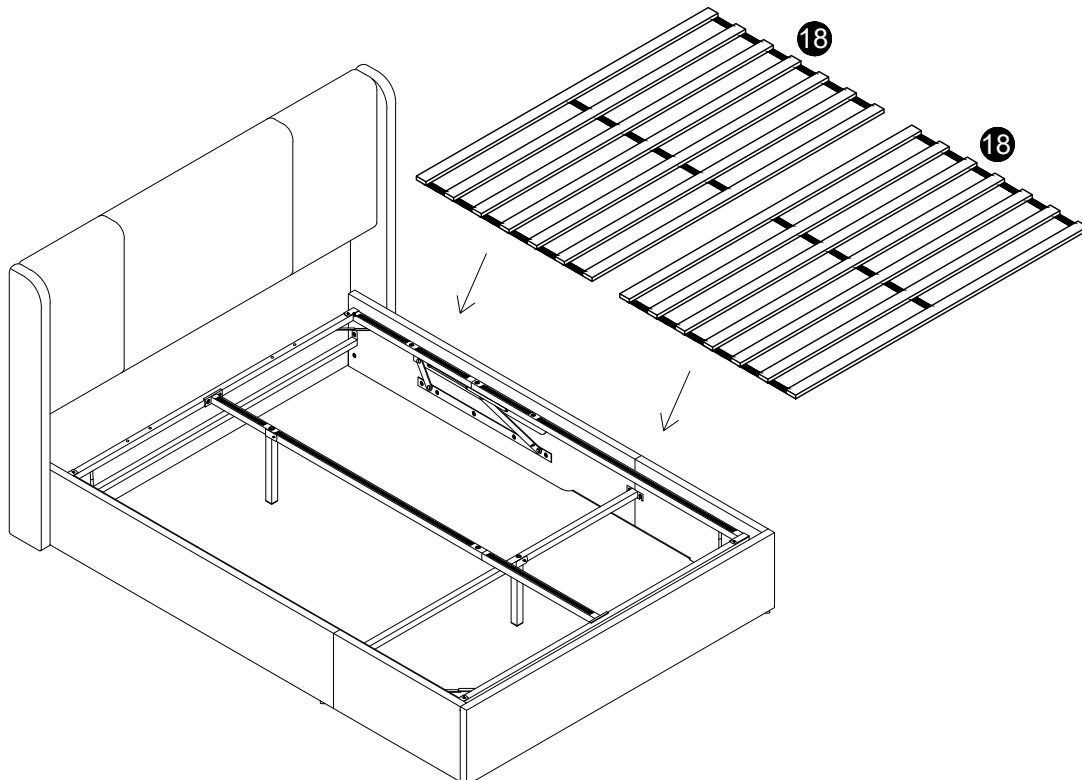


14

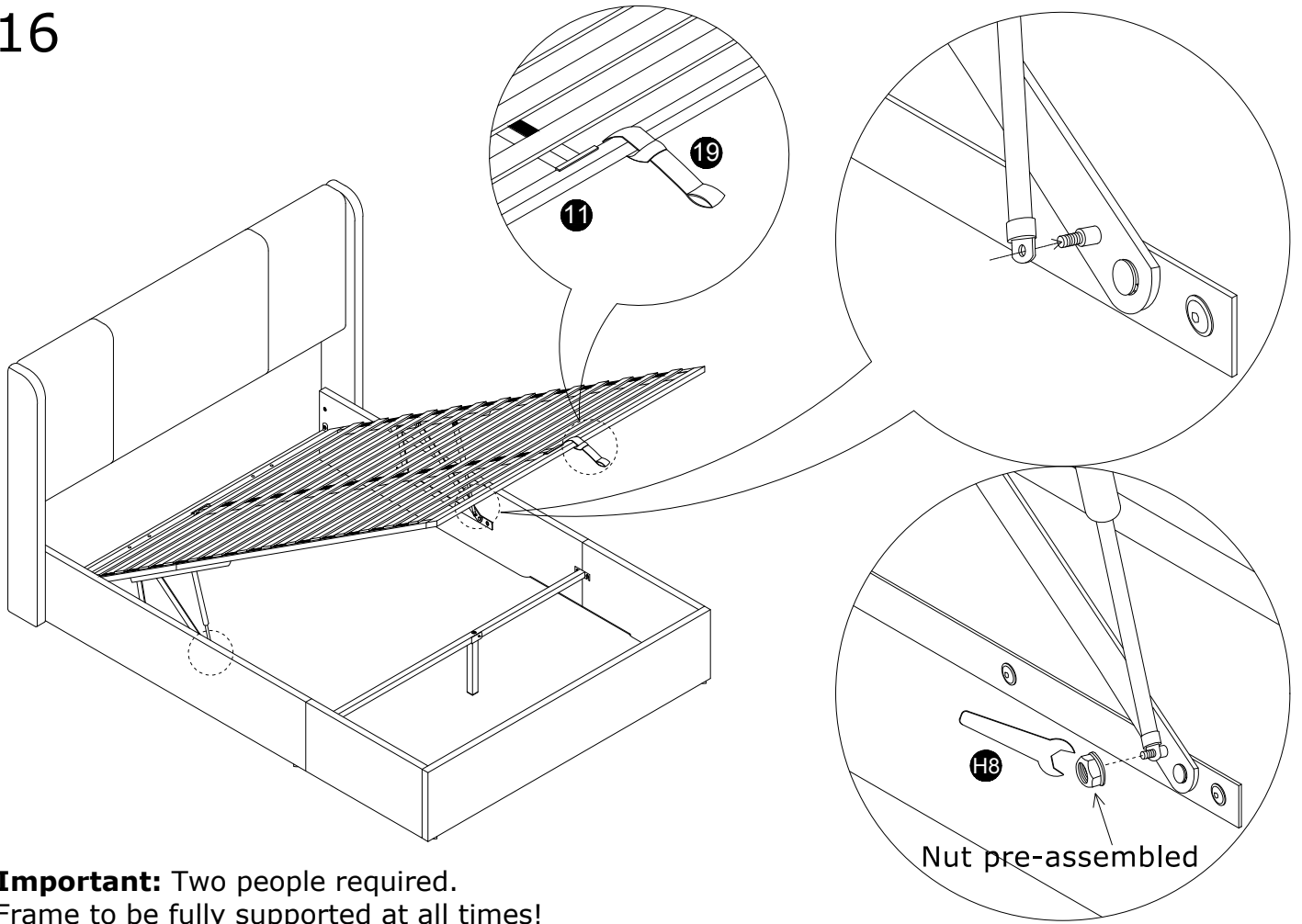


**Beware of risk of entrapment  
from folding hinges!**

15

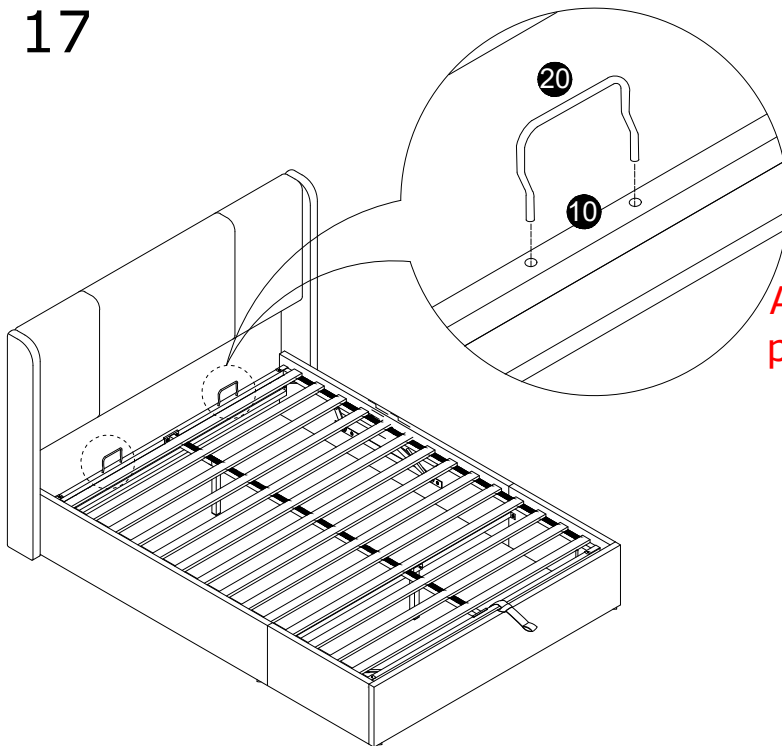


16

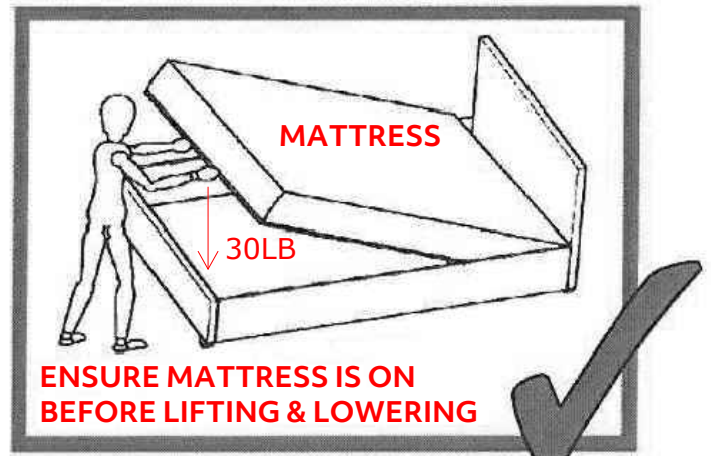


**Important:** Two people required.  
Frame to be fully supported at all times!

17



After placing the mattress on frame,  
push down the frame with 30lbs force.

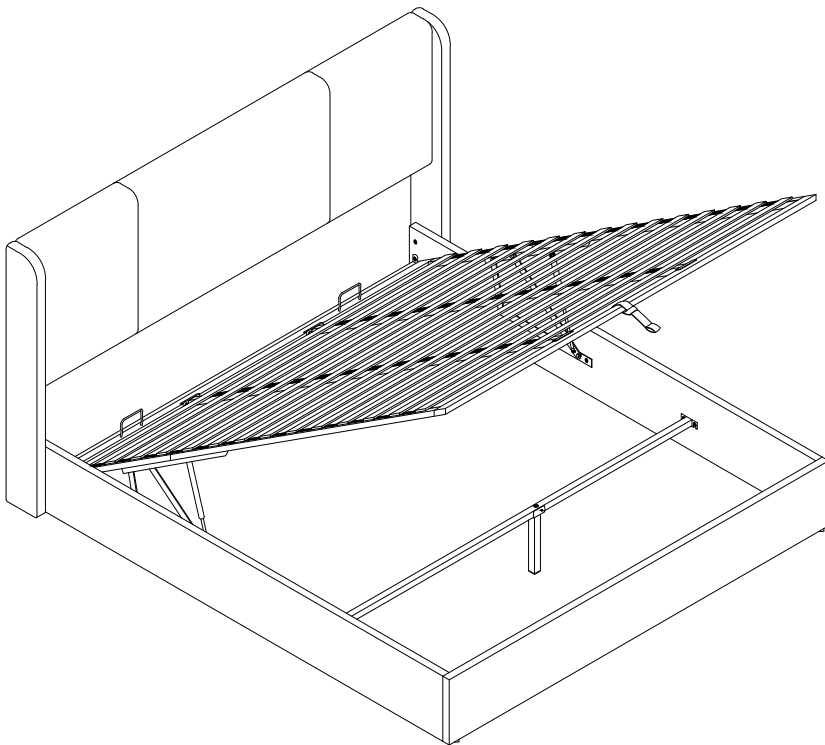


**Job Complete !**

*In the interest of our environment please dispose of all packaging thoughtfully.*

# ASSEMBLY INSTRUCTION

## King Size Bed



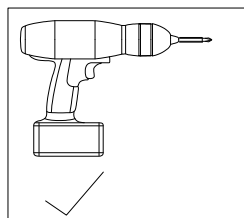
**WARNING: OPEN THE HEADBOARD BACK ZIPPER, THE BED REST PARTS IN IT.**



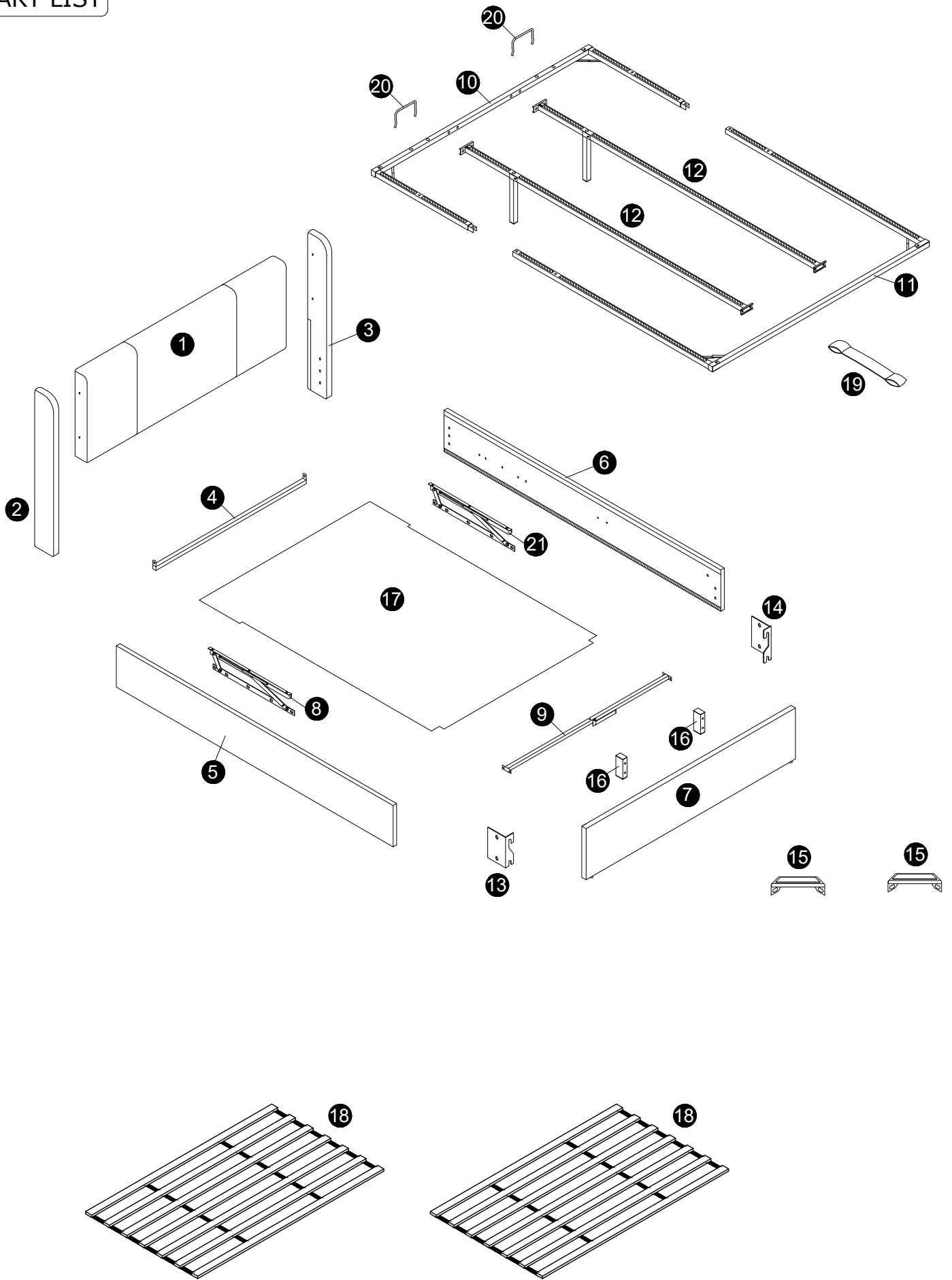
**Please TEAR OFF this shrink film from side!  
DO NOT USE CUTTER!**

### IMPORTANT NOTE

- 1. PLEASE OPEN THE ZIPPER LOCATED ON THE HEADBOARD TO ACCESS ALL THE OTHER COMPONENTS BEFORE PROCEEDING WITH THE ASSEMBLY.**
2. FOR THE PROTECTION OF YOUR FURNITURE, PLACE ALL PARTS ON A CLEAN AND SMOOTH SURFACE TO PREVENT ANY DAMAGE.
3. DO NOT USE POWER TOOLS TO ASSEMBLE THE BED.
4. PLEASE PERIODICALLY CHECK ALL FITTINGS AND RE-TIGHTEN AS NECESSARY.
5. DO NOT USE THE BED UNLESS ALL BOLTS AND SCREWS ARE FIRMLY SECURED.
6. NEED PARTS OR ASSISTANCE? EMAIL US AT
7. YOU CAN ASSEMBLE IT WITH OUR PACKAGING TOOLS OR WITH A.



PART LIST



## PART LIST

<b>1</b> x 1pc 	<b>2</b> x 1pc 	<b>3</b> x 1pc 	<b>4</b> x 1pc 	<b>5</b> x 1pc 
<b>6</b> x 1pc 	<b>7</b> x 1pc 	<b>8</b> x 1pc 	<b>9</b> x 1pc 	<b>10</b> x 1pc 
<b>11</b> x 1pc 	<b>12</b> x 2pcs 	<b>13</b> x 1pc 	<b>14</b> x 1pc 	<b>15</b> x 2pcs 
<b>16</b> x 2pcs 	<b>17</b> x 1pc 	<b>18</b> x 2pcs 	<b>19</b> x 1pc 	<b>20</b> x 2pcs 
<b>21</b> x 1pc 				

## HARDWARE LIST



**H1** M5 x 1pc



**H2** M8x25mm x 34pcs



**H3** M8x40mm x 4pcs



**H4** M8x60mm x 4pcs



**H5** M8 x 57pcs



**H6** M8x17mm x 47pcs



**H7** M8 x 6pcs



**H8** M14 x 1pc



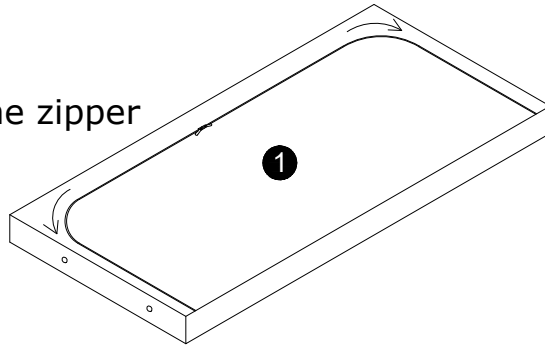
**H9** M8x50mm x 15pcs



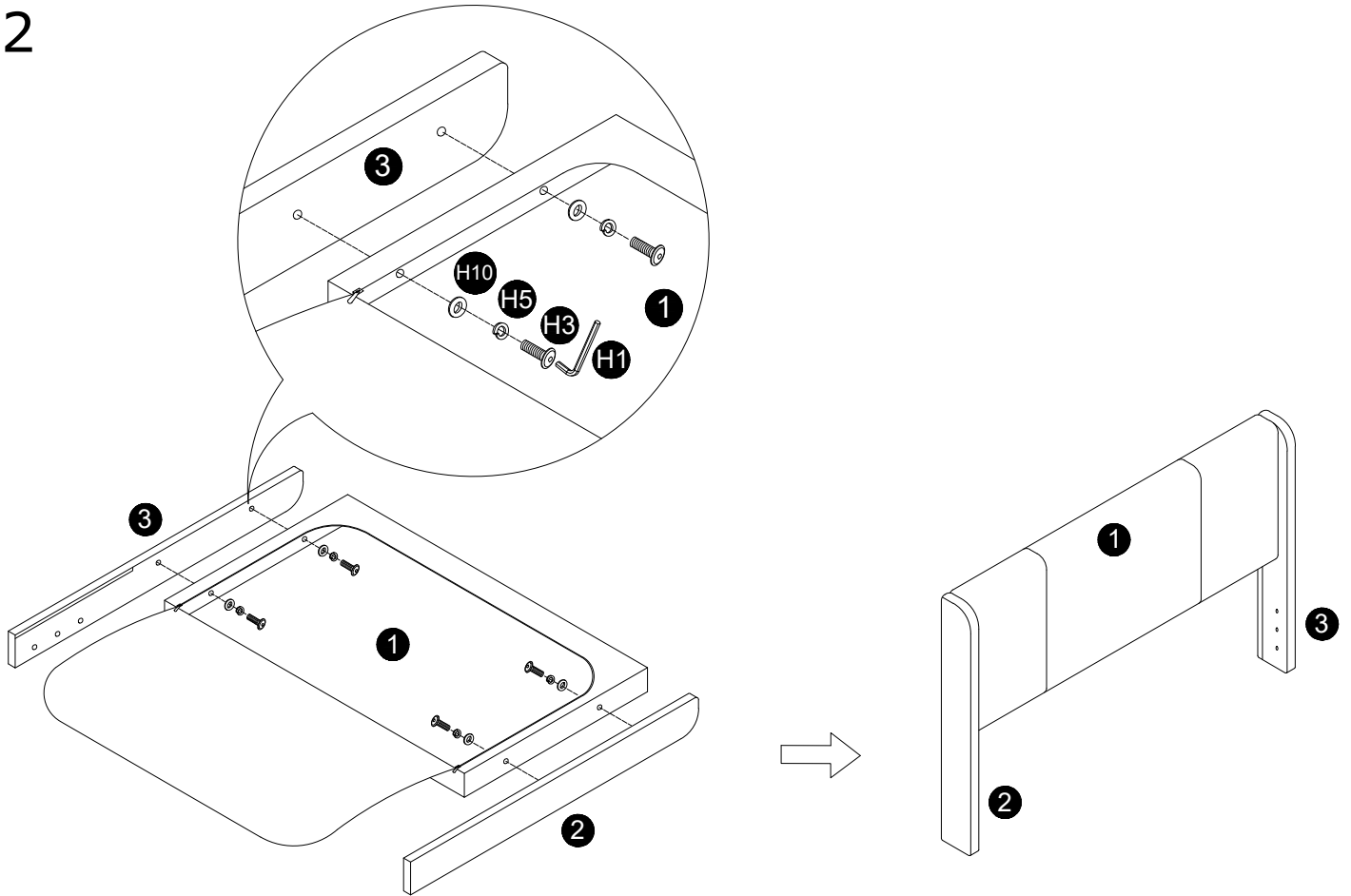
**H10** M8x22mm x 10pcs

**1** **NOTE:** PLEASE OPEN THE ZIPPER ON THE BACK OF **1** AND TAKE OUT THE PARTS.

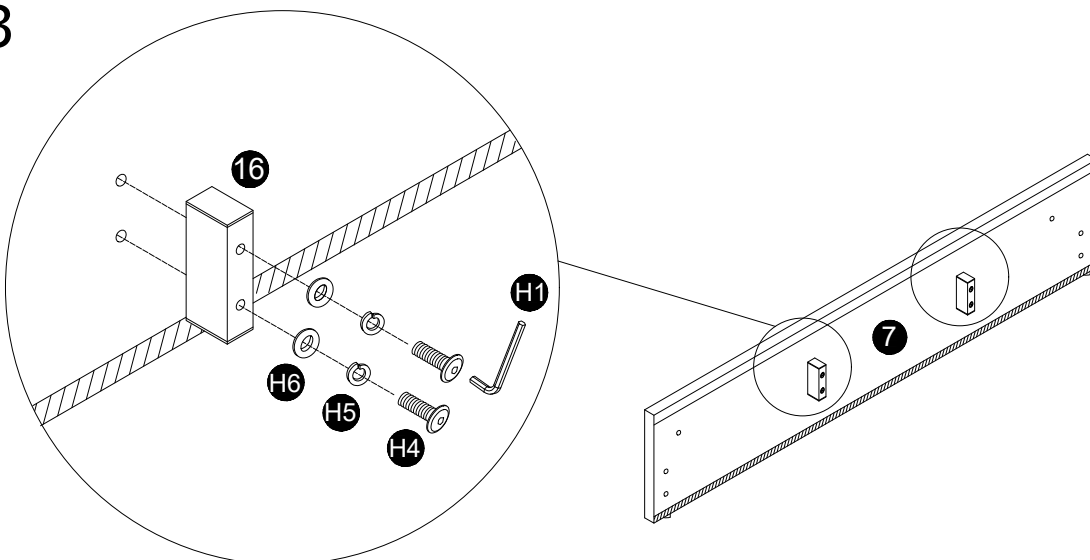
Open the zipper



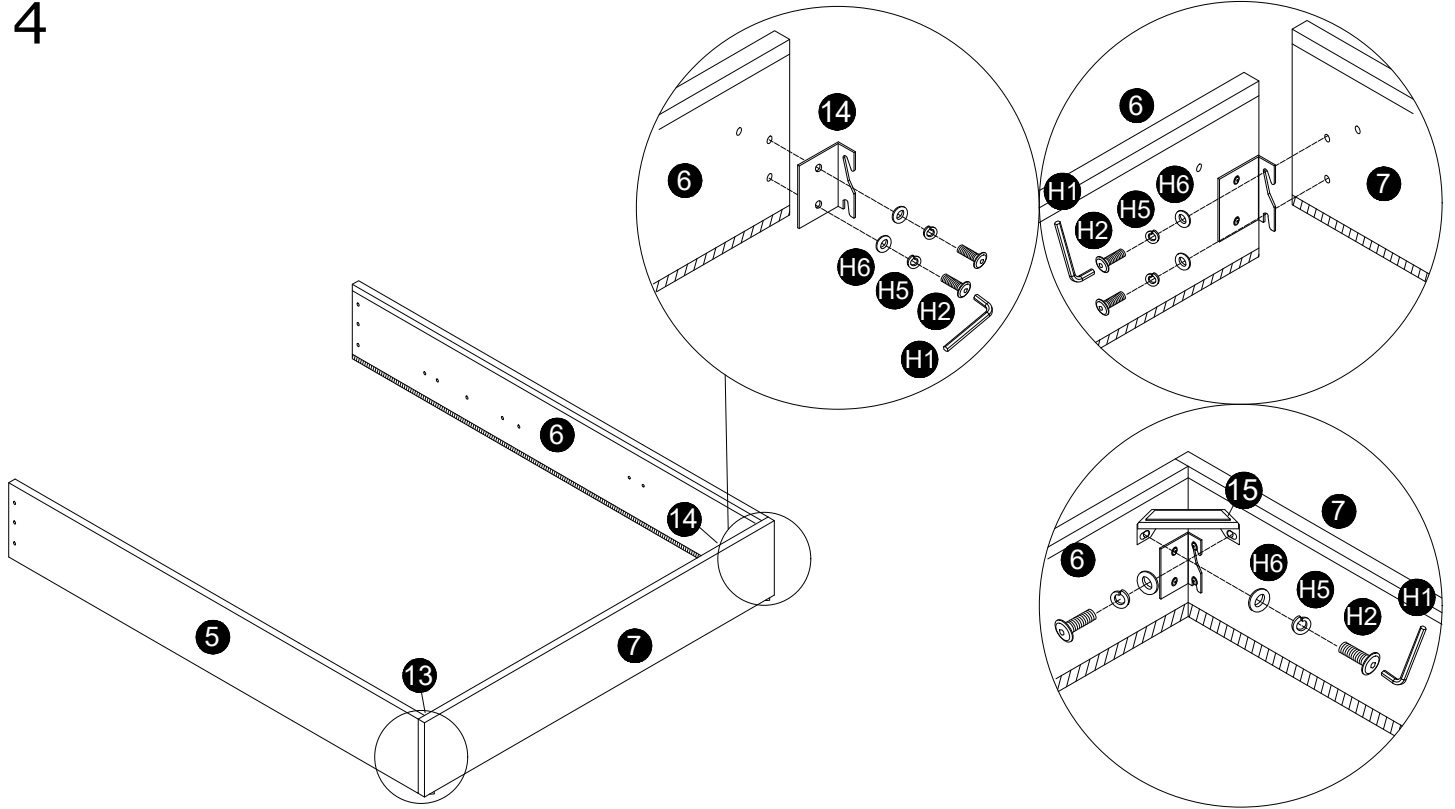
**2**



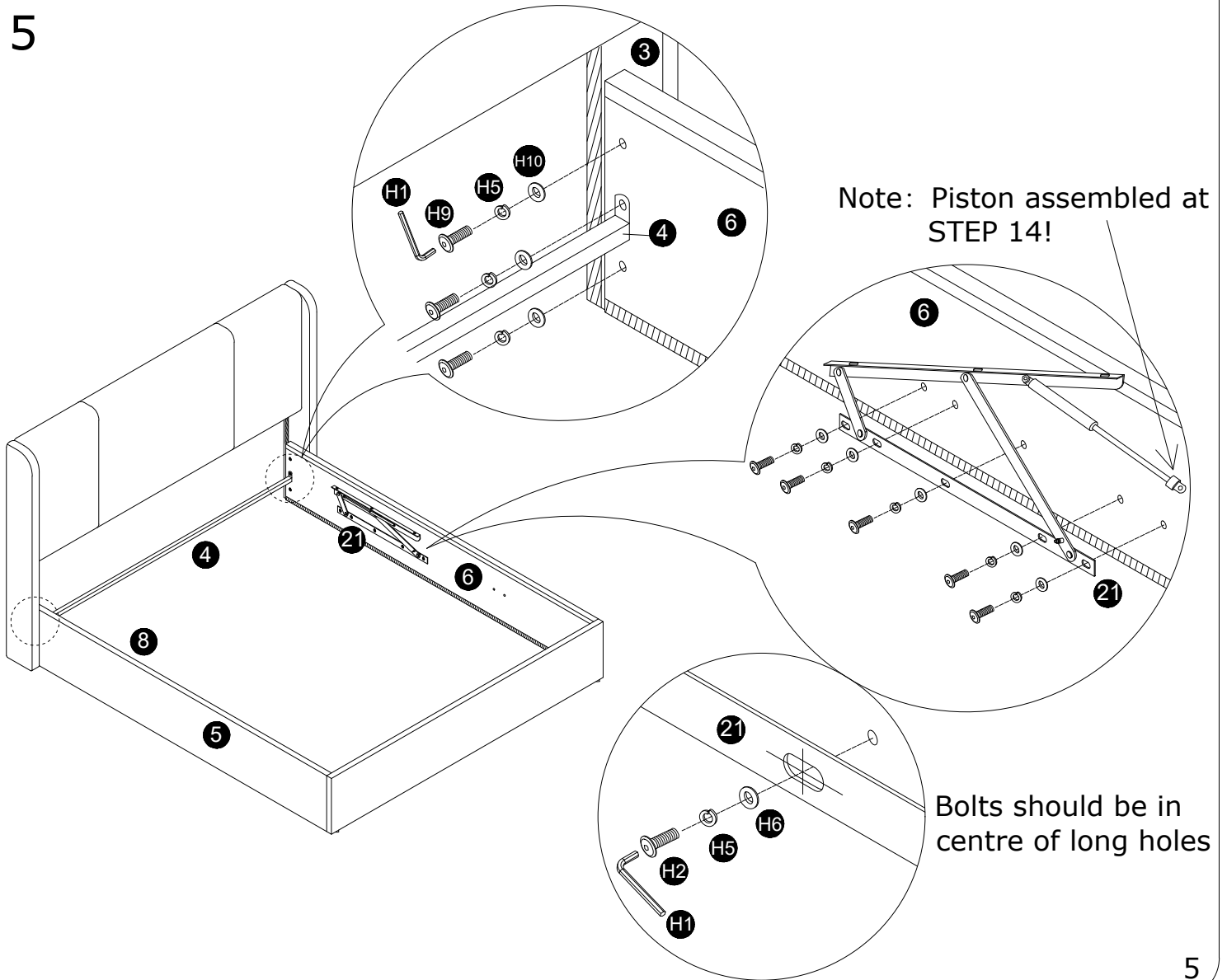
**3**



4

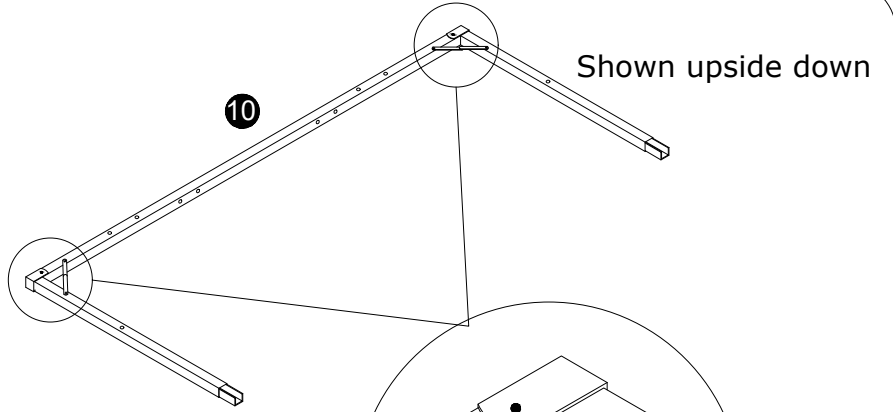
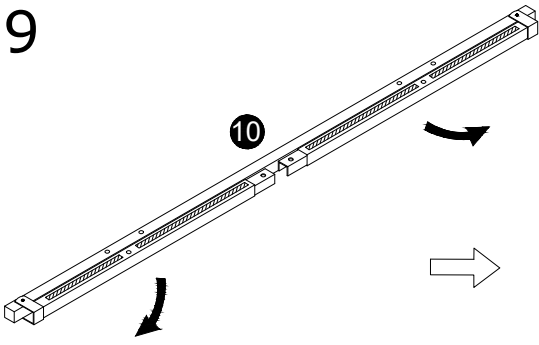


5



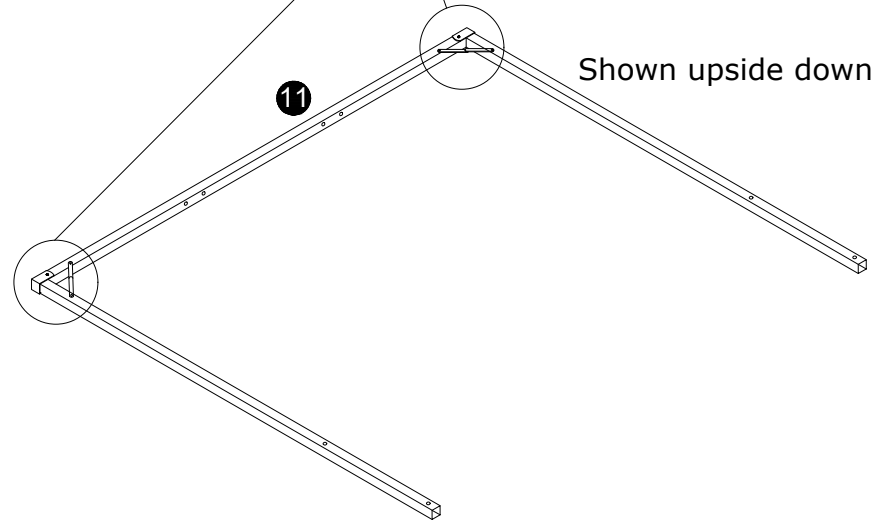
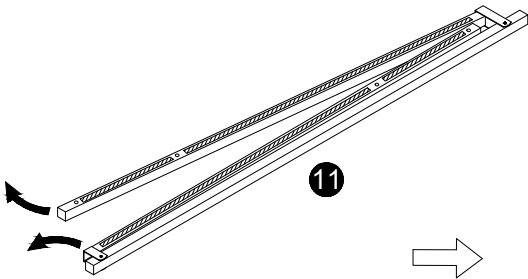


9

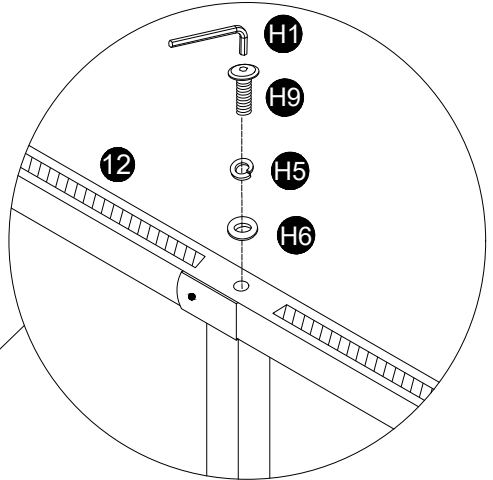
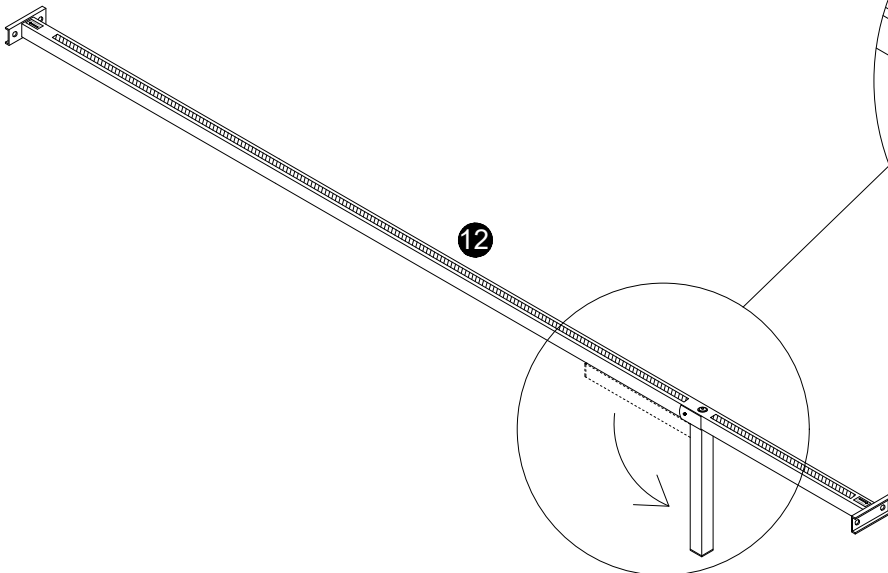


BEWARE OF CLAMP HAND

Straighten the metal connector piece

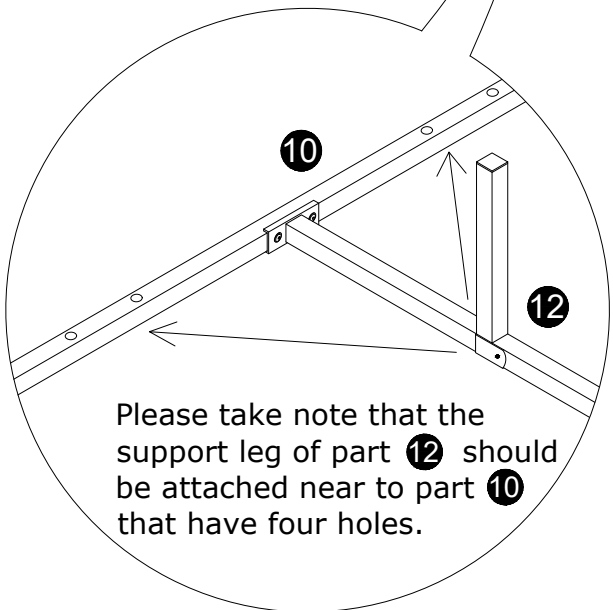
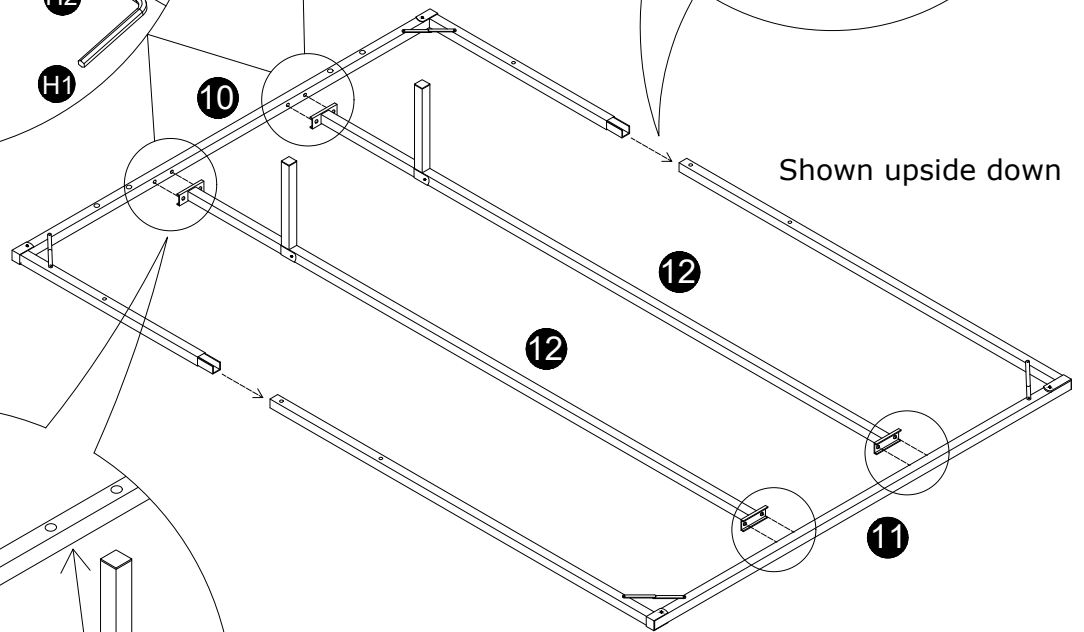
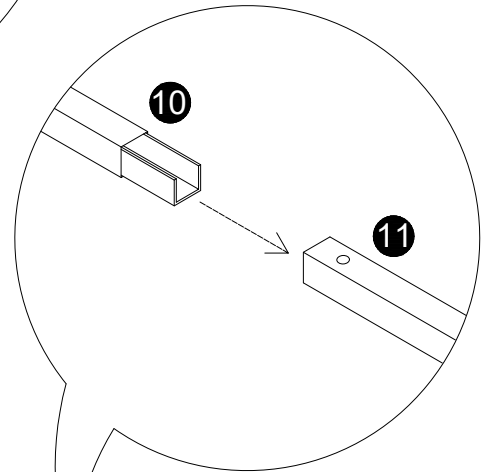
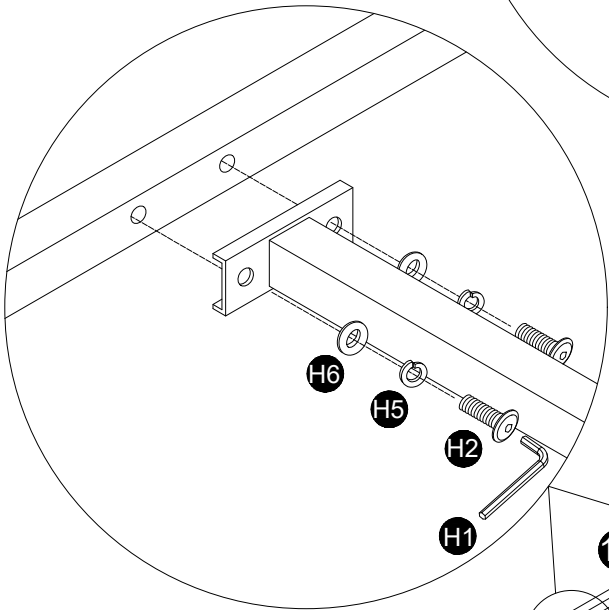
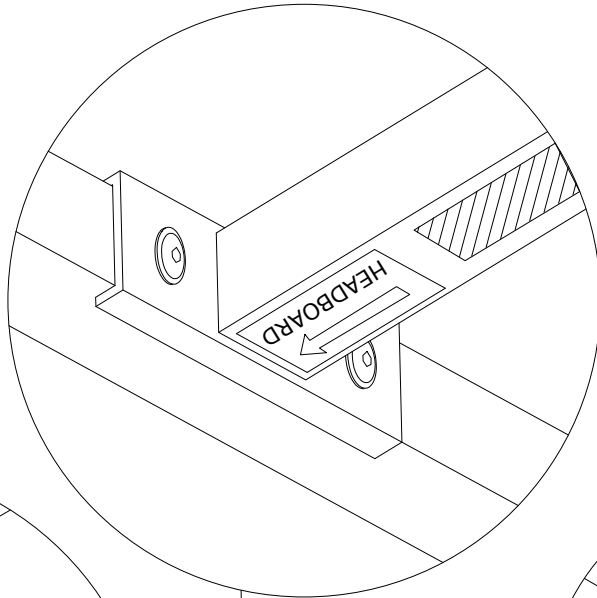


10

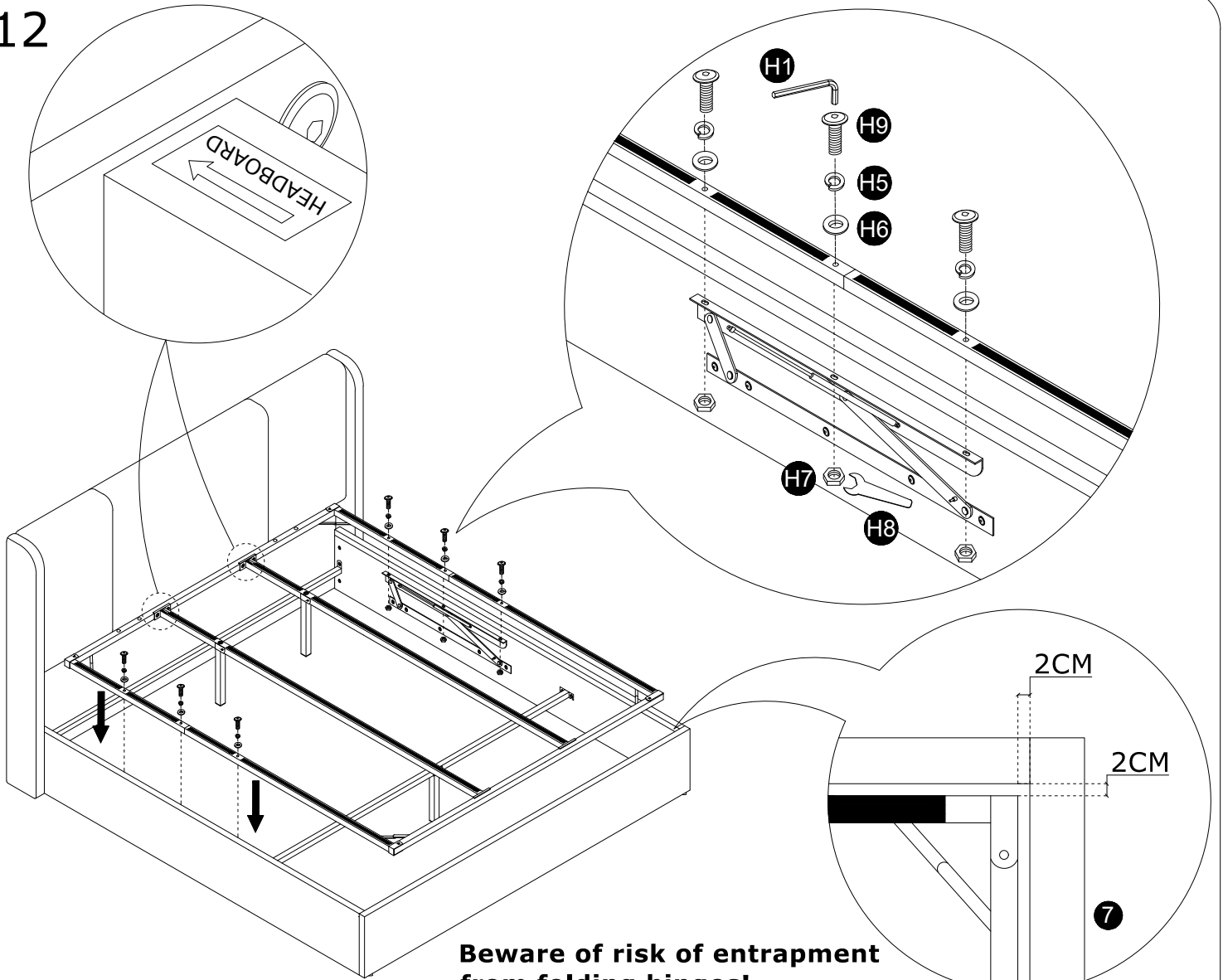


x2

11

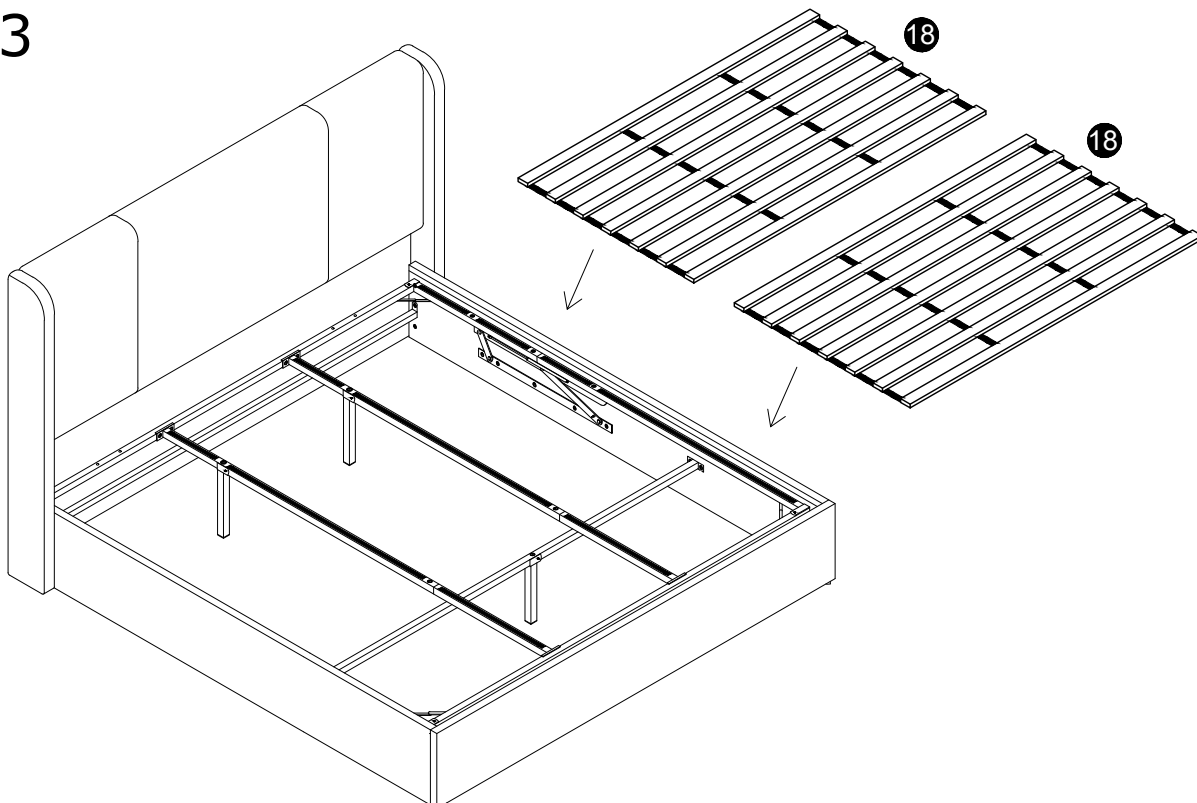


12

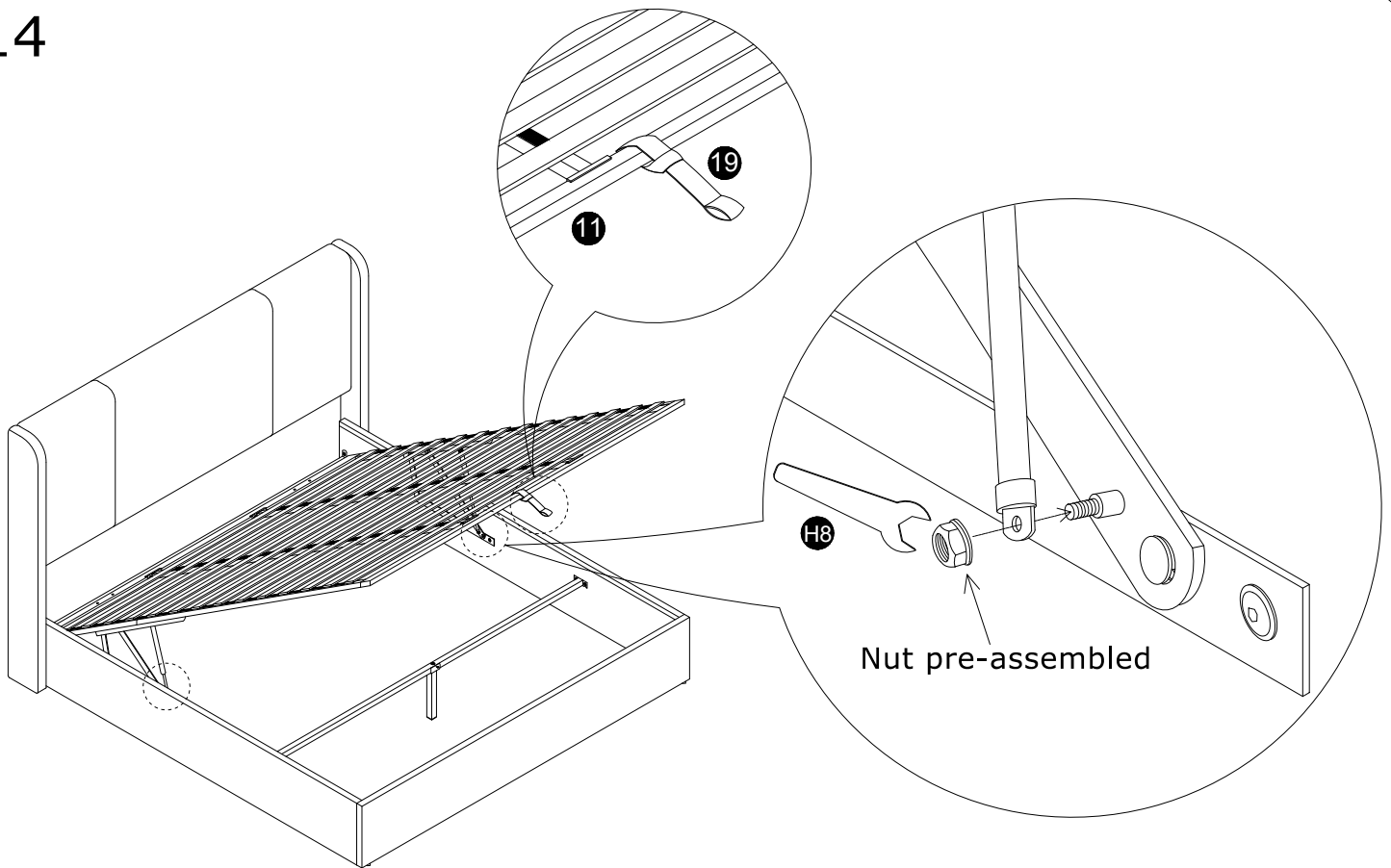


**Beware of risk of entrapment from folding hinges!**

13

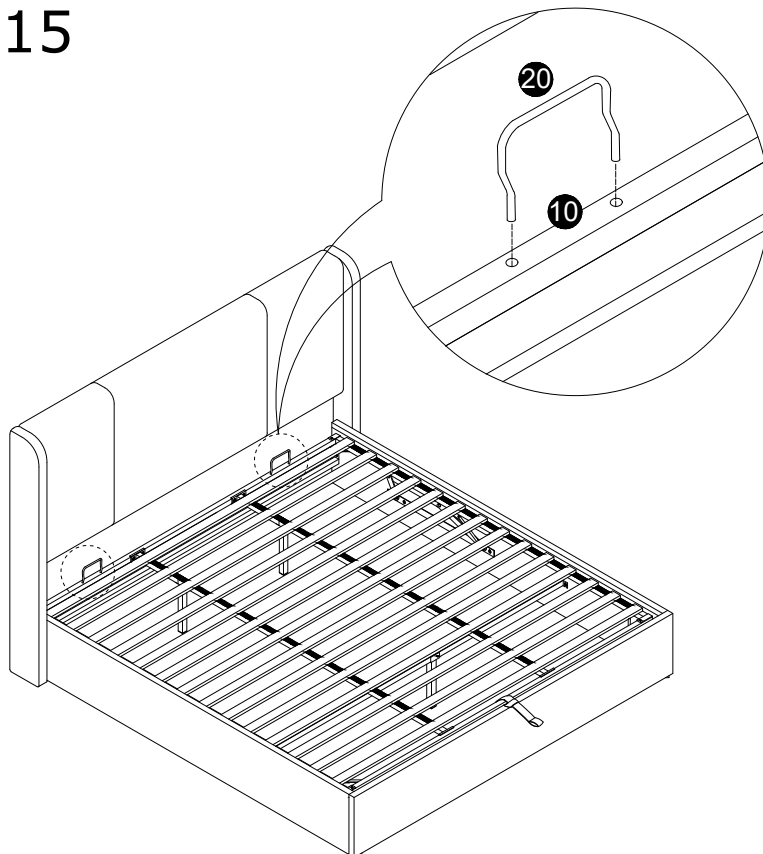


14

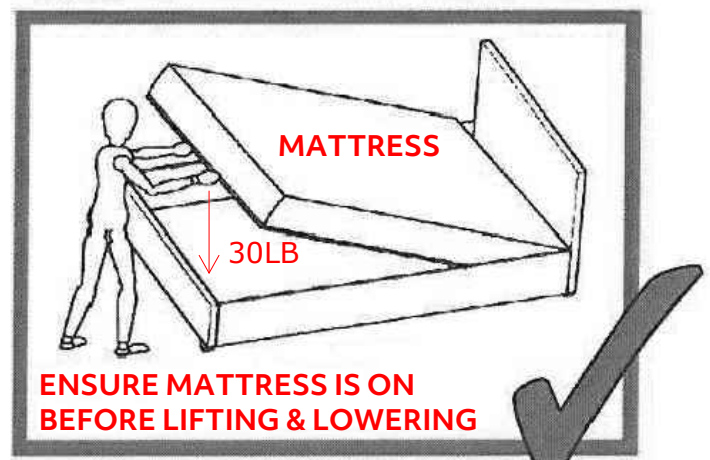


**Important:** Two people required.  
Frame to be fully supported at all times!

15



After placing the mattress on frame,  
push down the frame with 30lbs force.

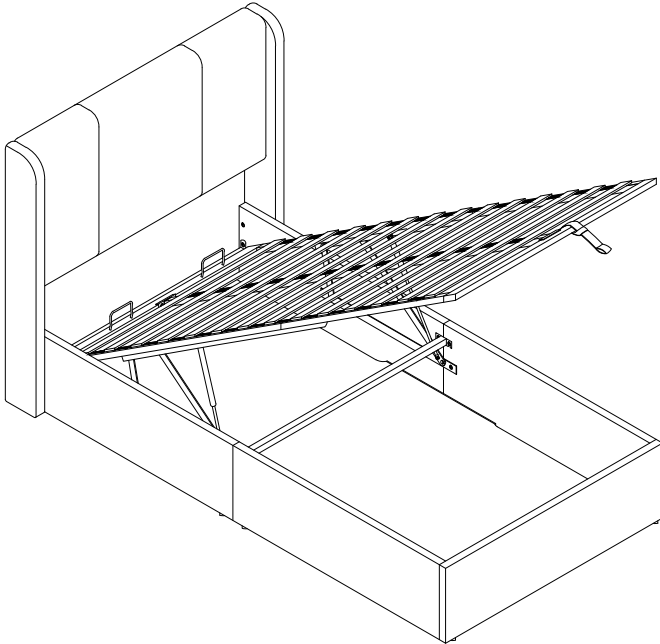


**Job Complete !**

*In the interest of our environment please dispose of all packaging thoughtfully.*

# ASSEMBLY INSTRUCTION

## Twin Size Bed



**WARNING: OPEN THE HEADBOARD BACK ZIPPER, THE BED REST PARTS IN IT.**



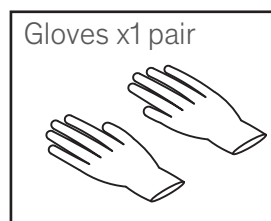
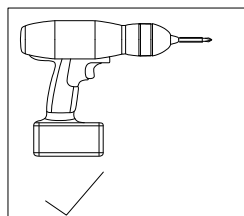
**Please TEAR OFF this shrink film from side!  
DO NOT USE CUTTER!**

### IMPORTANT NOTE

- 1. All other components are stored inside the headboard. Before proceeding with assembly, please open the zipper located on the headboard and remove all components.**
2. For the protection of your furniture, place all parts on a clean and smooth surface to prevent any damage.
3. Keep fittings out of children's reach and keep children well away from construction area.
4. When moving your assembled bed. it is best to lift the bed and never to drag it.
5. Do not use this product if parts are missing, damaged or worn.
6. This product should only be used on firm, level ground.
7. Please periodically check all fittings and re-tighten as necessary.
8. Do not use the bed unless all bolts and screws are firmly secured.
9. For further assistance, please provide a screenshot of your order and contact us via email at

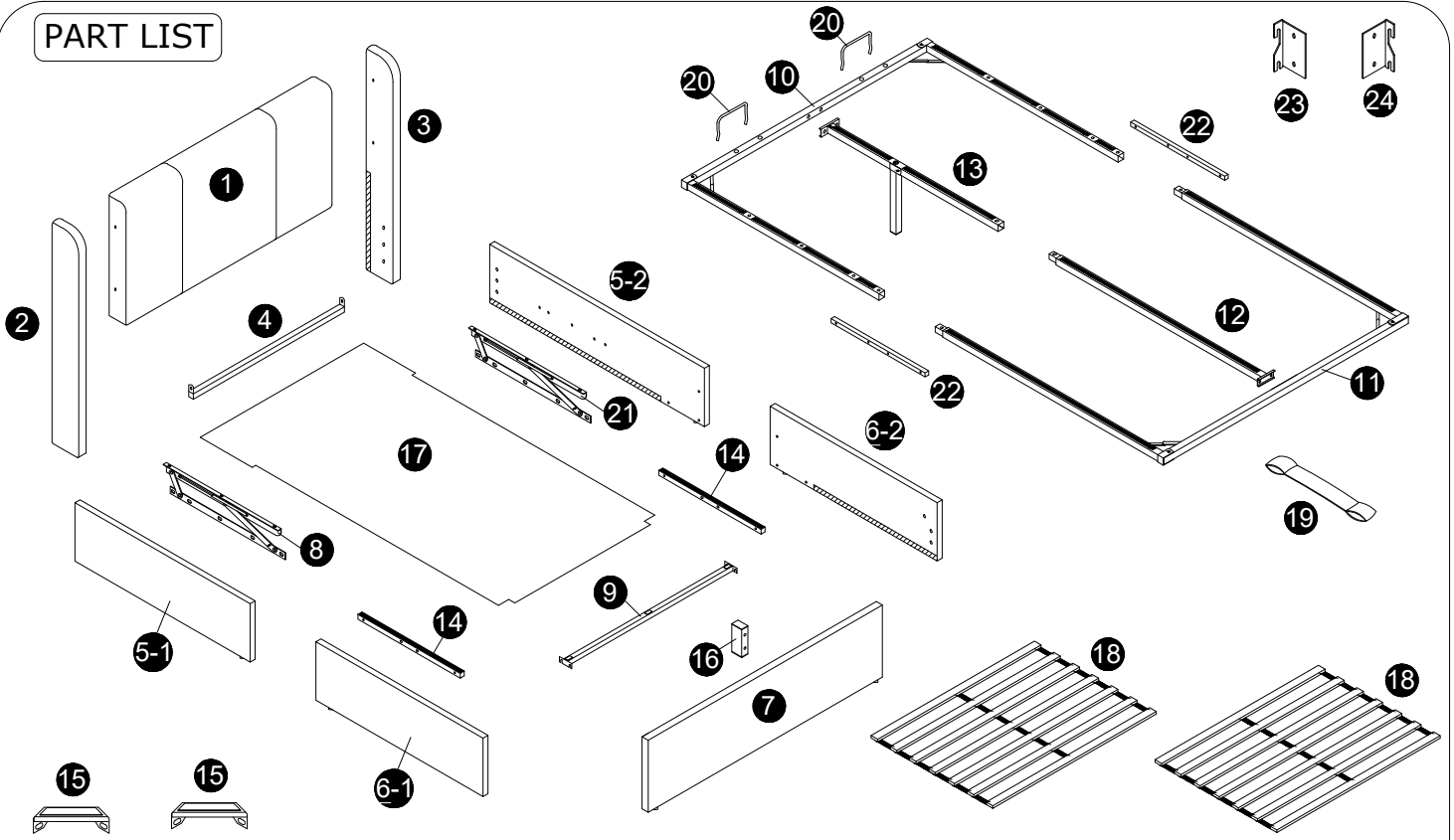


Minimum two  
person assembly



Please note gloves.  
This fabric is very light colour.  
So when assembling bed,  
please wear them.


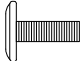







**PART LIST**



<b>1</b> x 1pc 	<b>2</b> x 1pc 	<b>3</b> x 1pc 	<b>4</b> x 1pc 	<b>5-1</b> x 1pc 
<b>5-2</b> x 1pc 	<b>6-1</b> x 1pc 	<b>6-2</b> x 1pc 	<b>7</b> x 1pc 	<b>8</b> x 1pc 
<b>9</b> x 1pc 	<b>10</b> x 1pc 	<b>11</b> x 1pc 	<b>12</b> x 1pc 	<b>13</b> x 1pc 
<b>14</b> x 2pcs 	<b>15</b> x 2pcs 	<b>16</b> x 1pc 	<b>17</b> x 1pc 	<b>18</b> x 2pcs 
<b>19</b> x 1pc 	<b>20</b> x 2pcs 	<b>21</b> x 1pc 	<b>22</b> x 2pcs 	<b>23</b> x 1pc 
				<b>24</b> x 1pc 

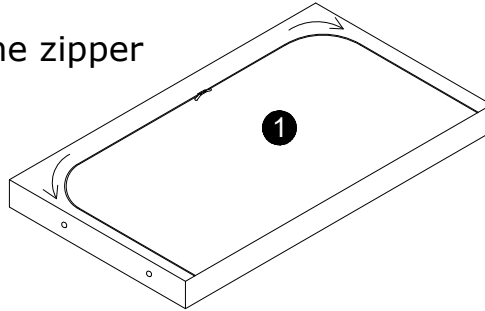
Please ensure to thoroughly inspect the small inner cardboard box containing the hardware, which are tied with a red string, before disposing of the box.

HARDWARE LIST

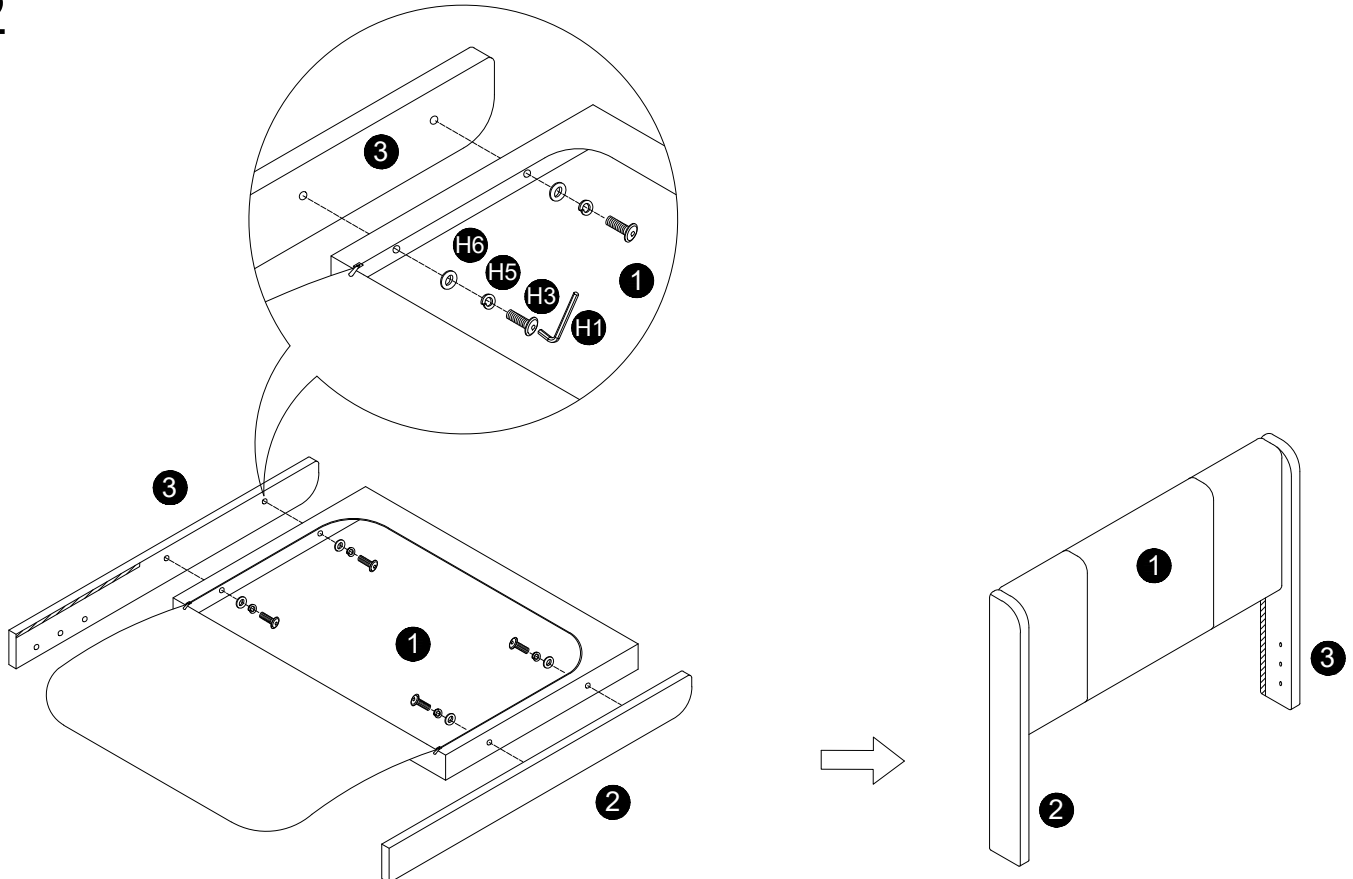
 <b>H1</b> M5 x 1pc	 <b>H2</b> M8x25mm x 33pcs	 <b>H3</b> M8x40mm x 12pcs	 <b>H4</b> M8x60mm x 2pcs
 <b>H5</b> M8 x 10pcs	 <b>H6</b> M8x22mm x 10pcs	 <b>H7</b> M8 x 6pcs	 <b>H8</b> M14 x 1pc
 <b>H9</b> M8x50mm x 21pcs			

**1** **NOTE:** PLEASE OPEN THE ZIPPER ON THE BACK OF **1** AND TAKE OUT THE PARTS.

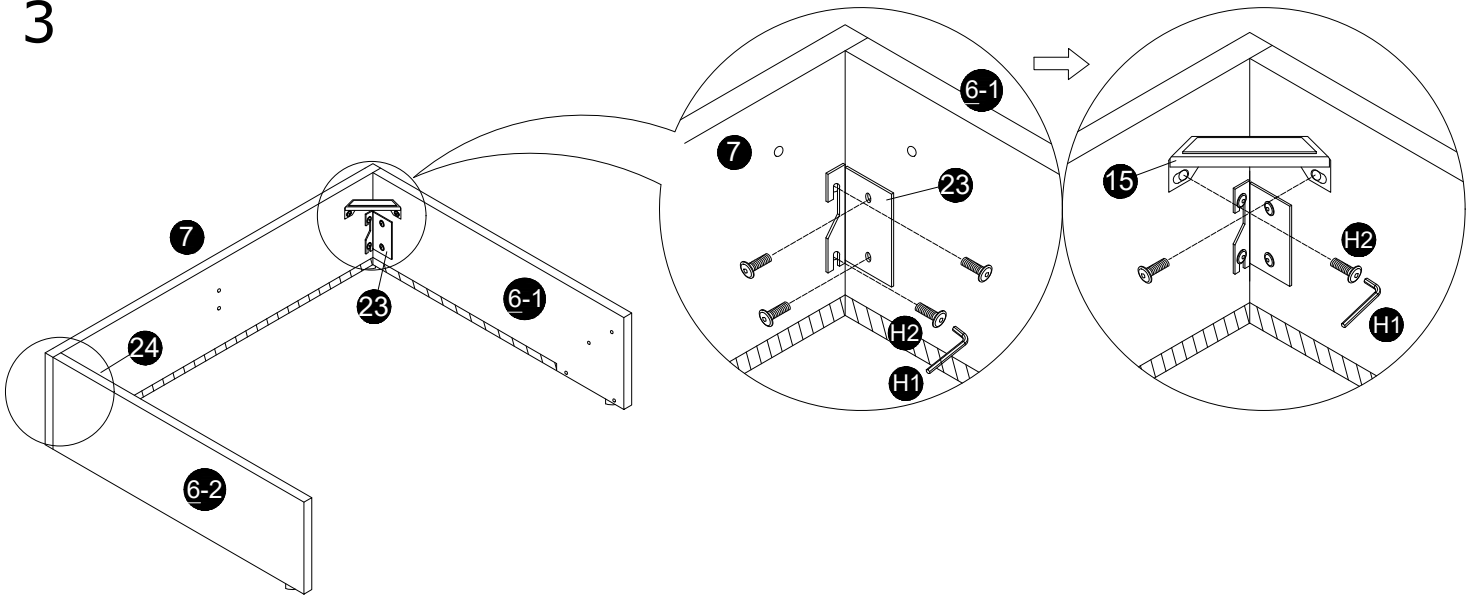
Open the zipper



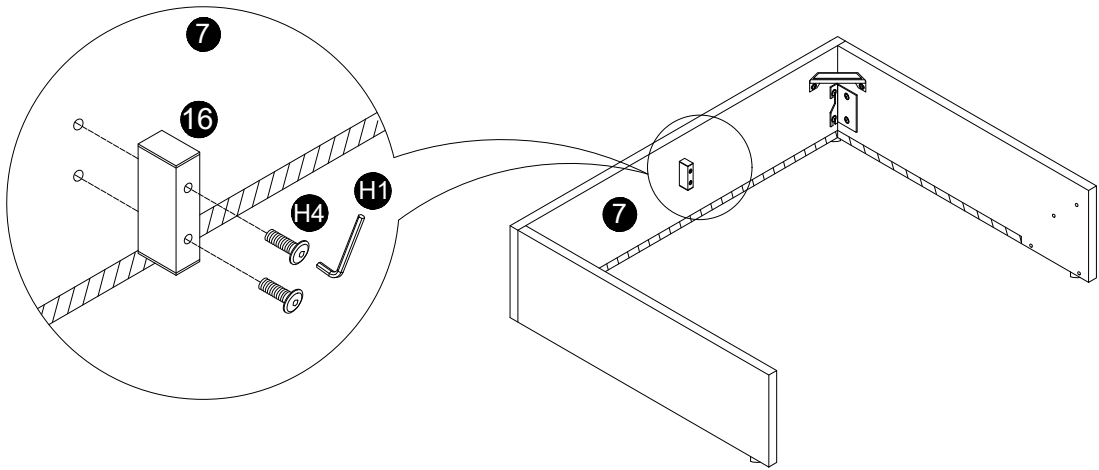
**2**



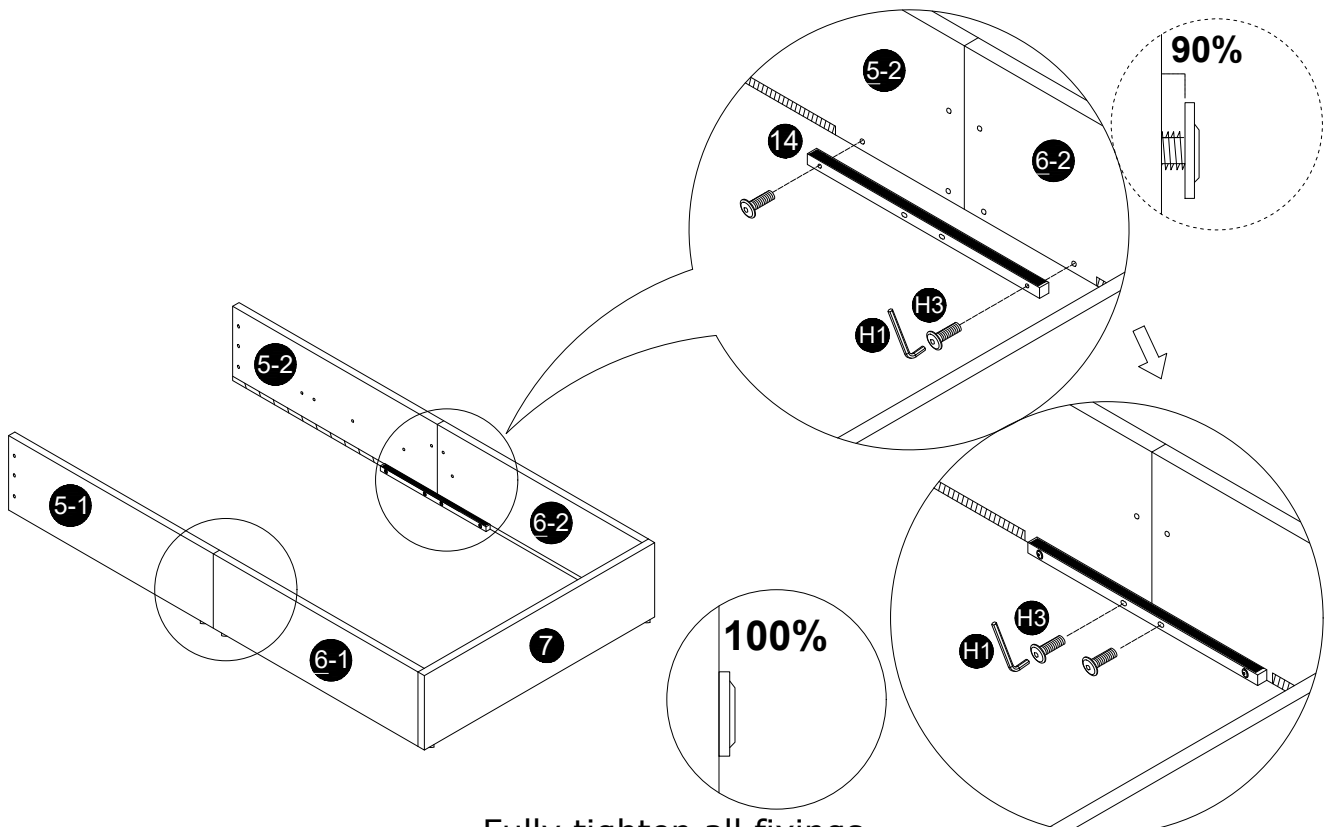
3



4

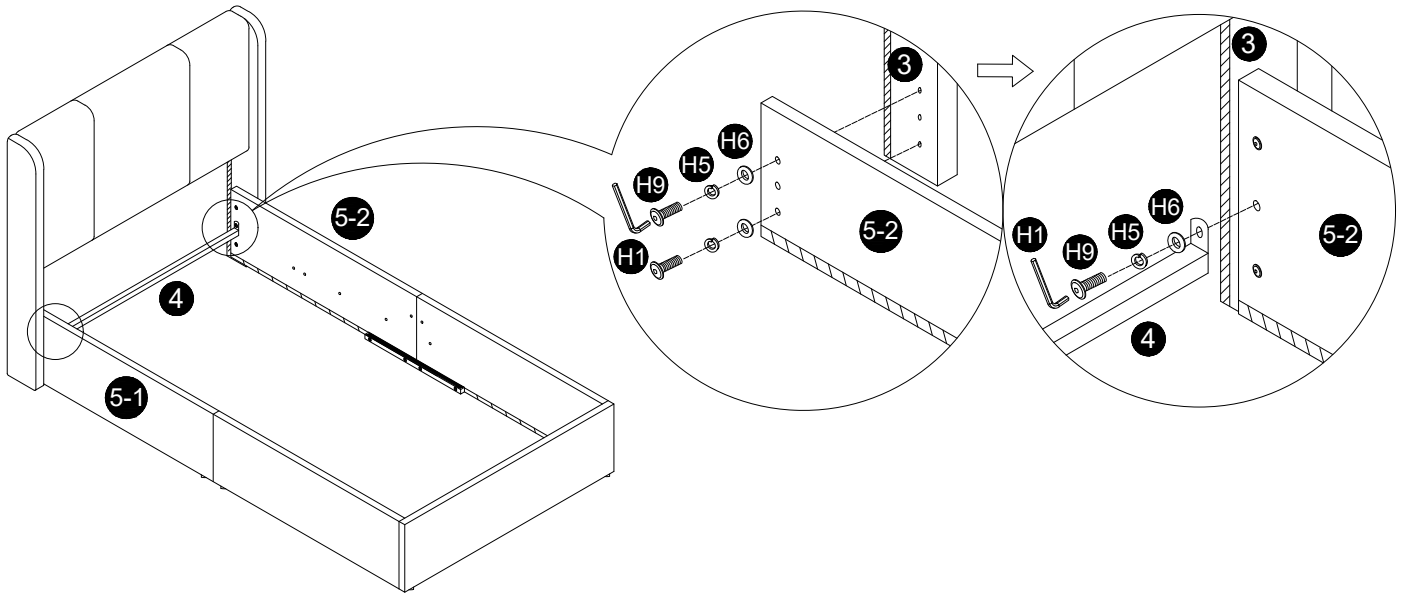


5

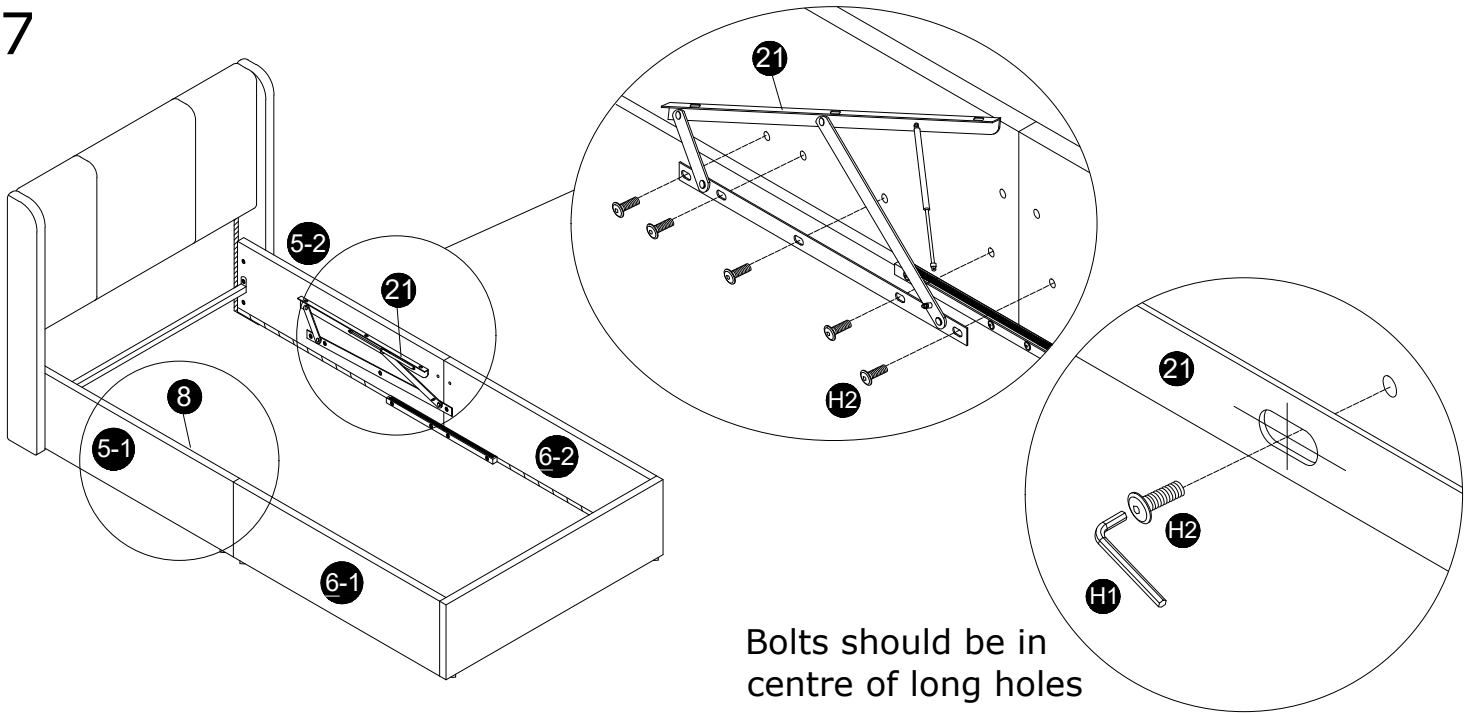


Fully tighten all fixings.

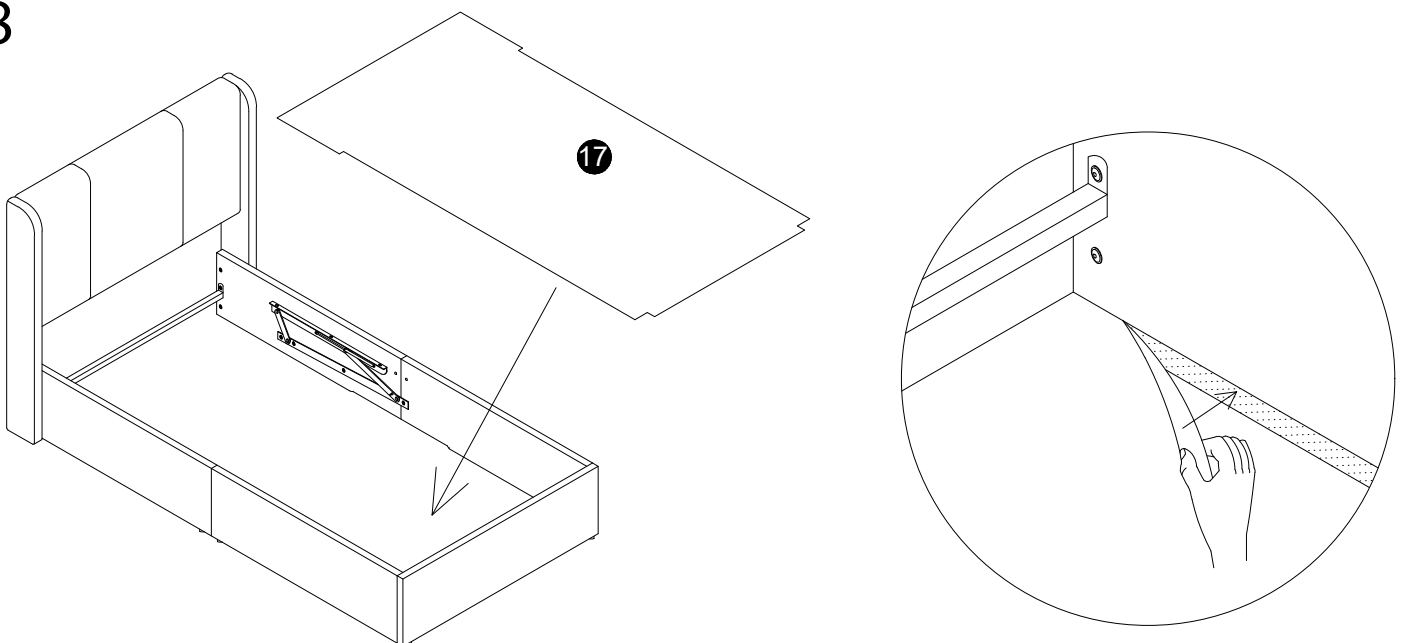
6



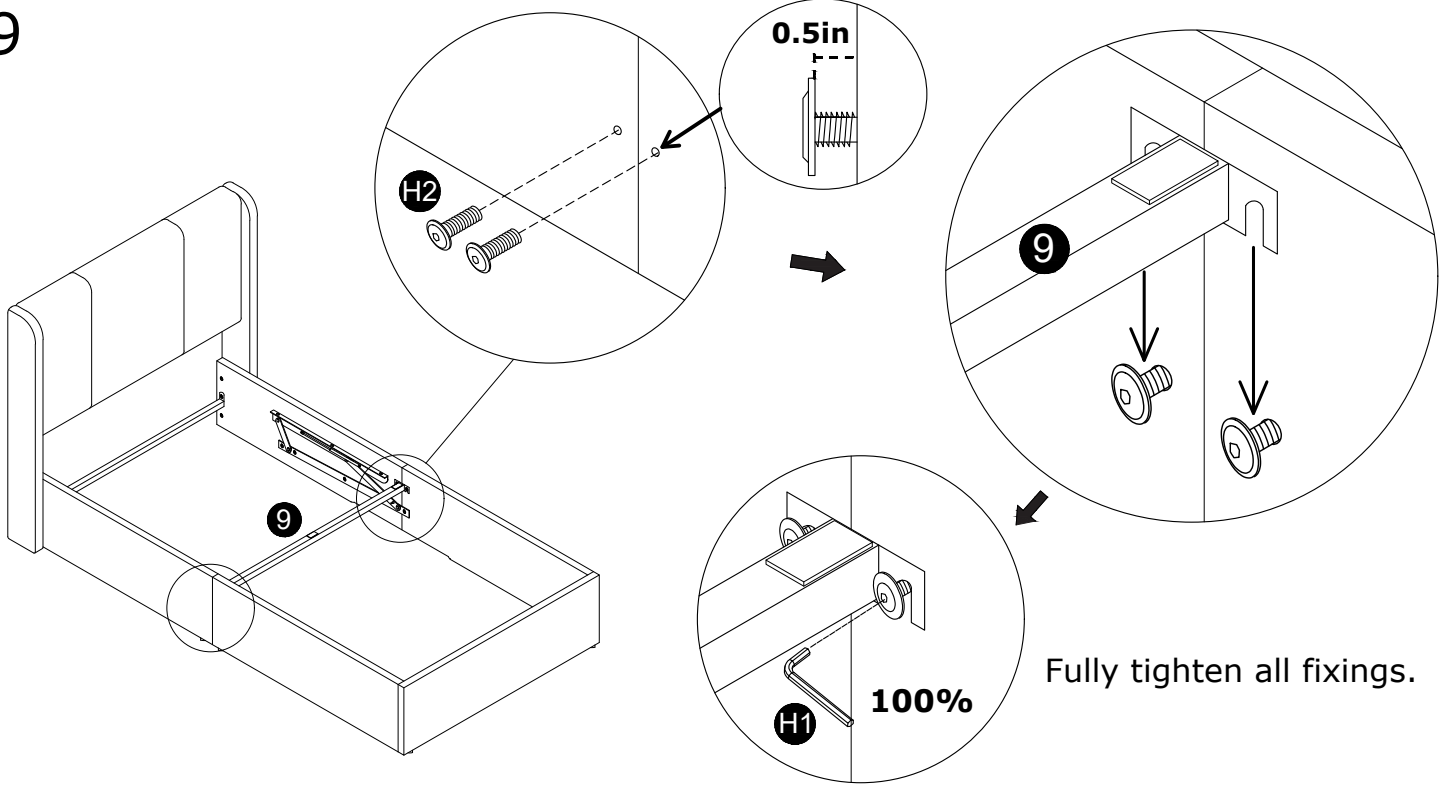
7



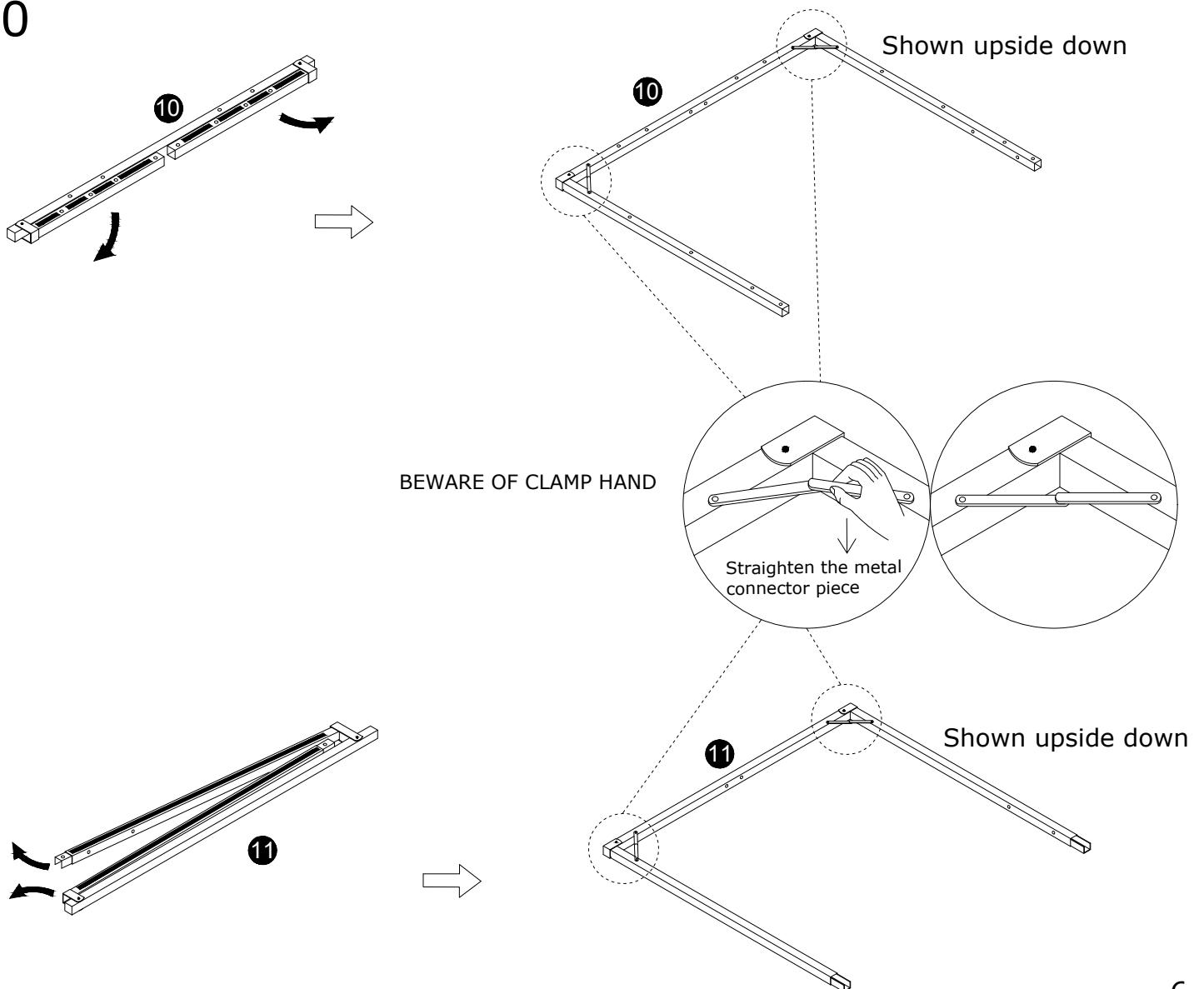
8



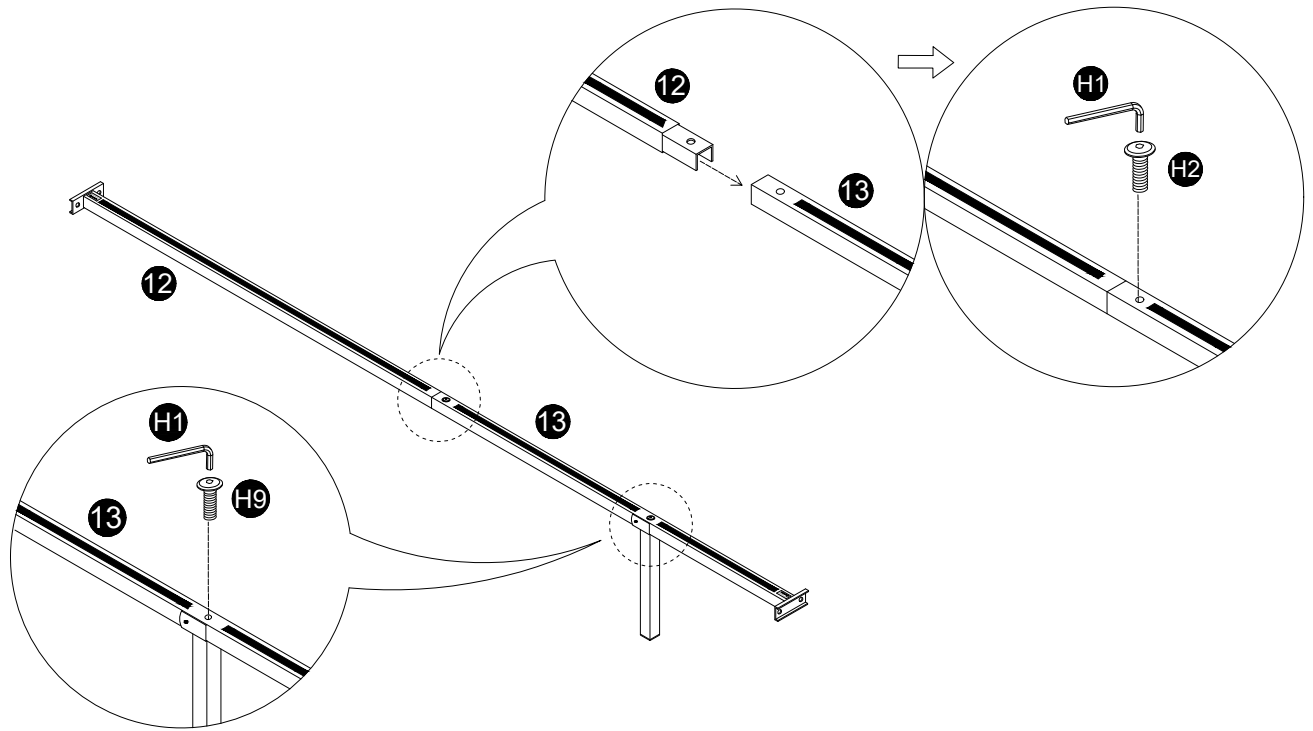
9



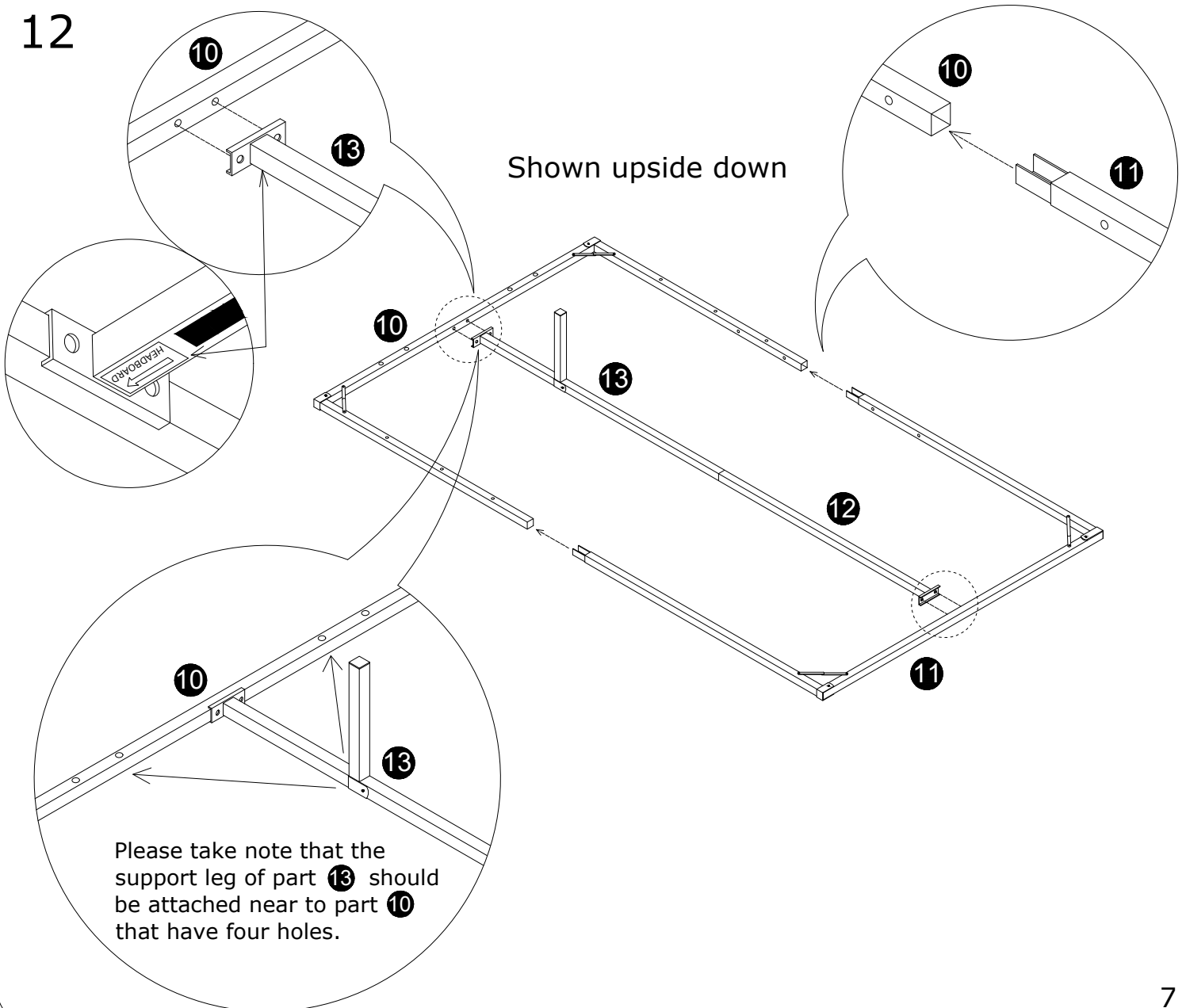
10



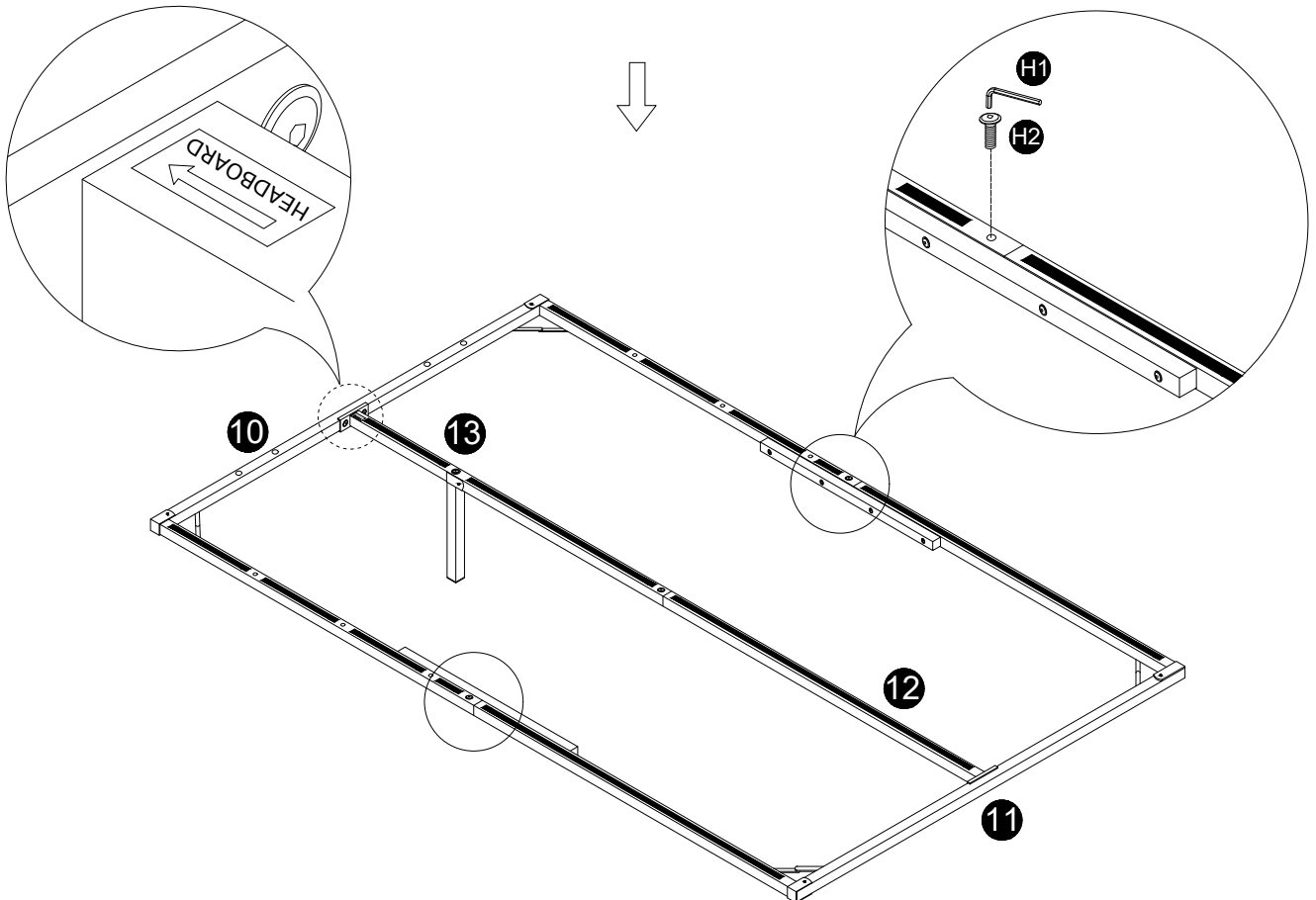
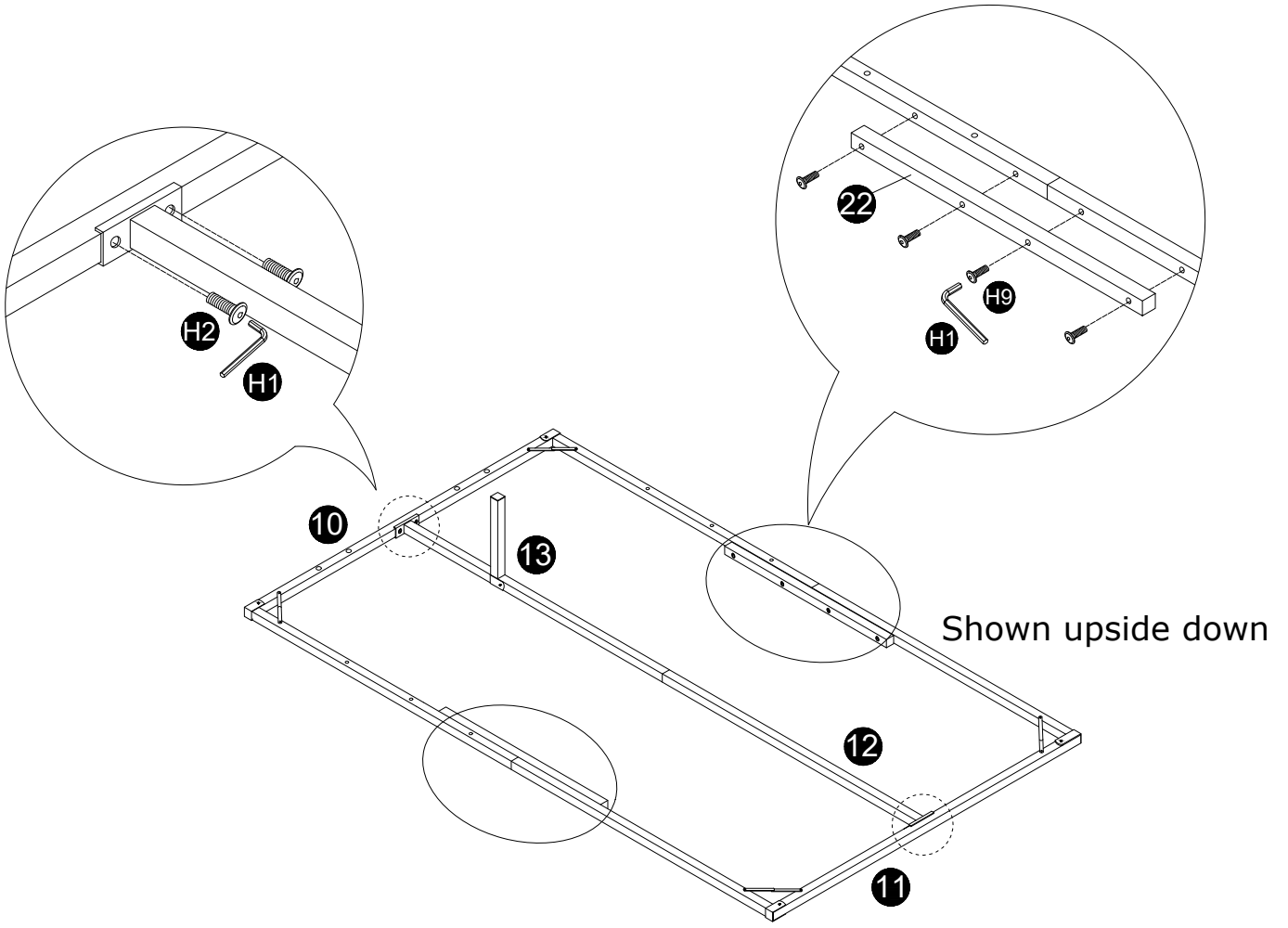
11



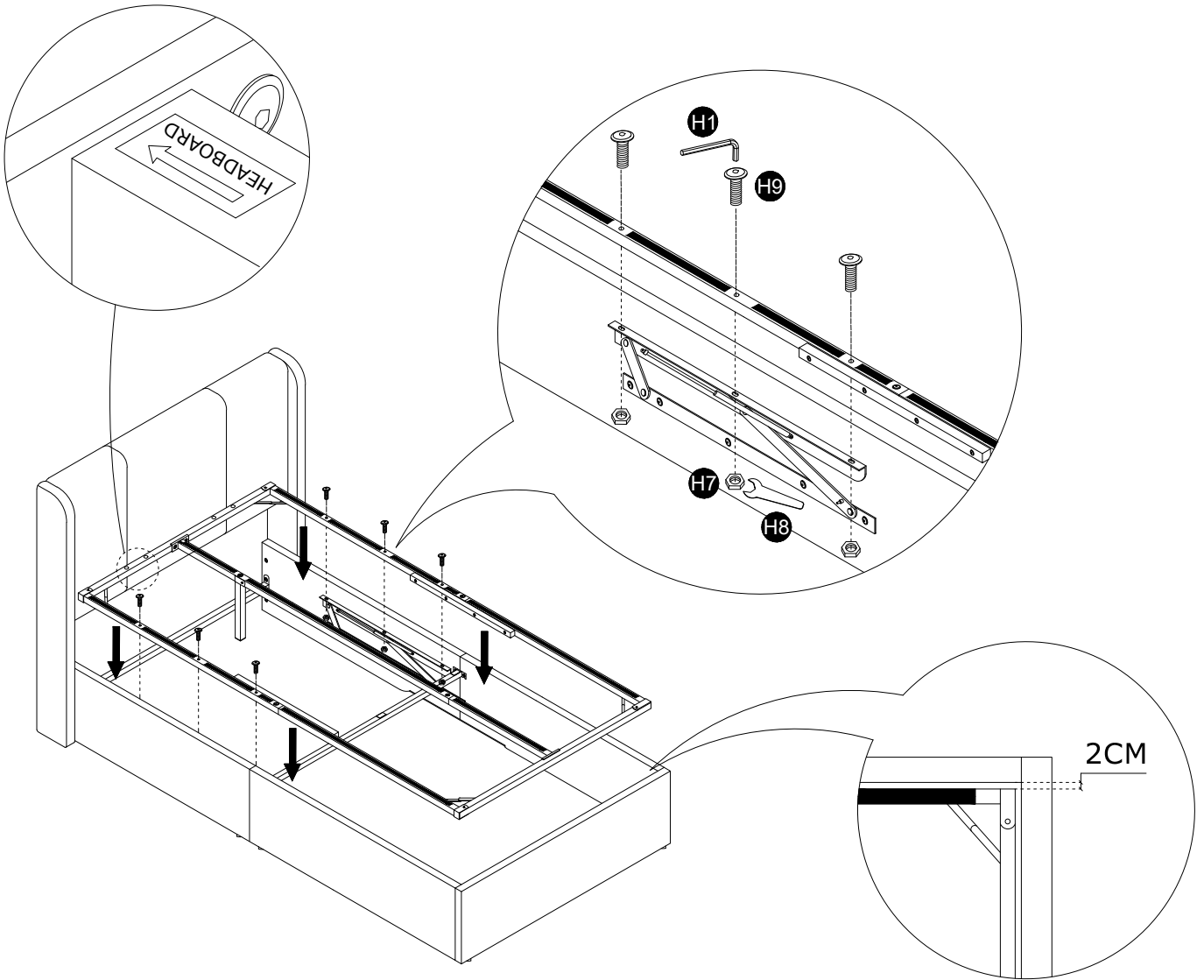
12



13

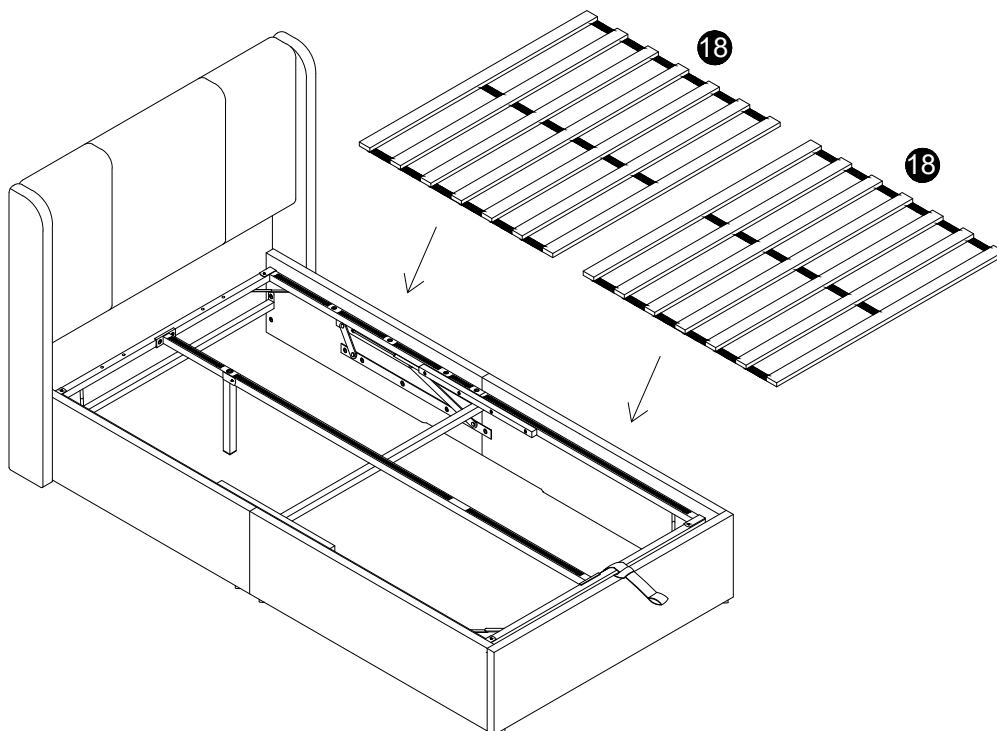


14

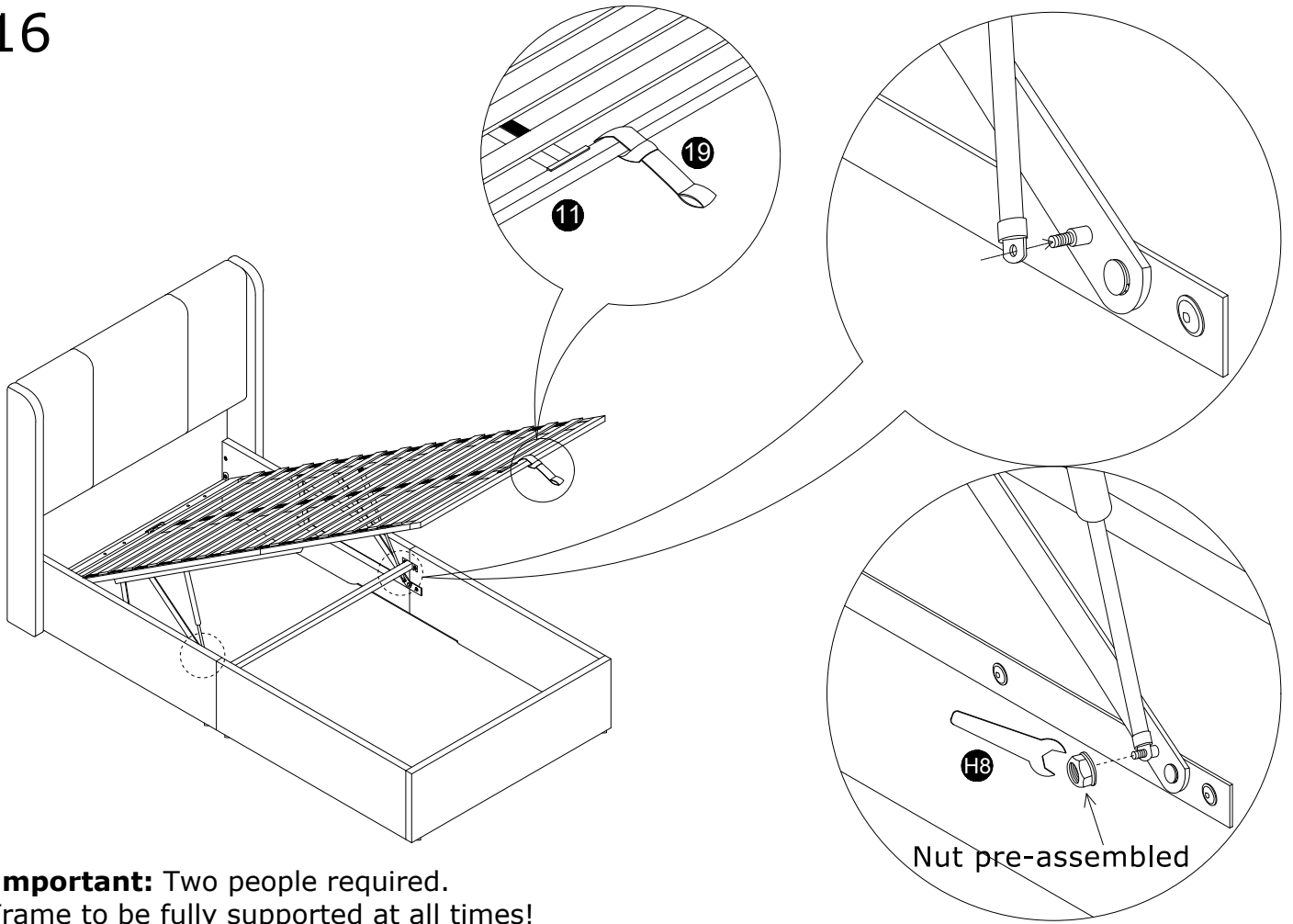


**Beware of risk of entrapment  
from folding hinges!**

15

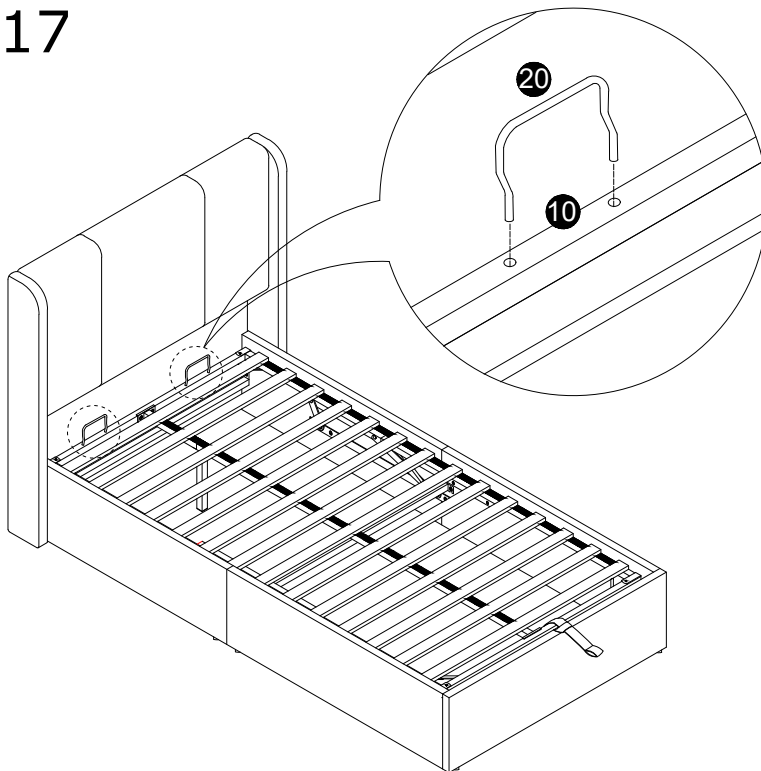


16



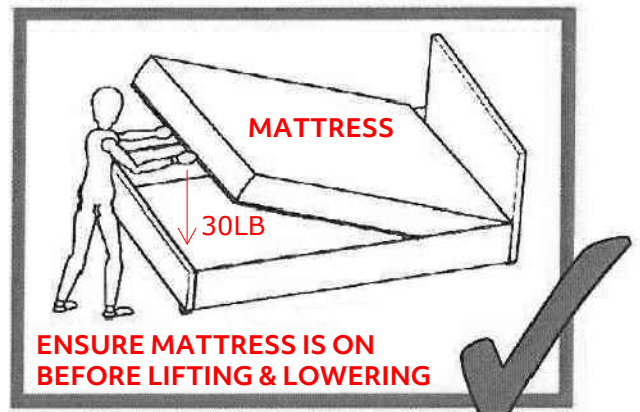
**Important:** Two people required.  
Frame to be fully supported at all times!

17



**!** Only lift when the mattress is in place.  
Place mattress & Carefully lower frame down.  
Keep objects/body part & children away from moving parts.

After placing the mattress on frame,  
push down the frame with 30lbs force.



**Job Complete !**

*In the interest of our environment please dispose of all packaging thoughtfully.*