

# SEACHROME

Seachrome Corporation  
 1906 East Dominguez Street  
 Long Beach, California 90810  
 Phone: (800) 955-2476  
 Fax: (800) 444-3380

## Description:

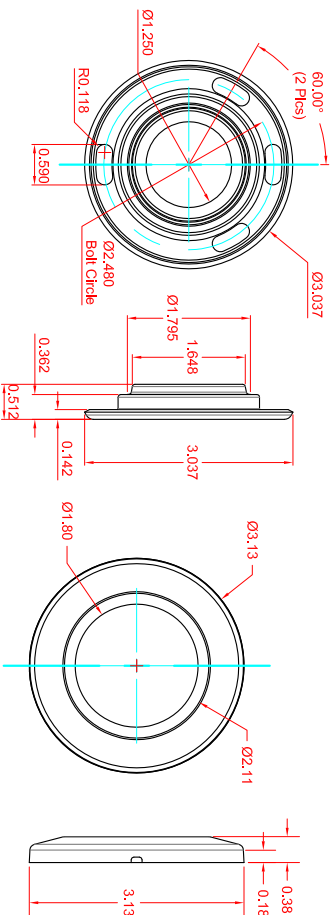
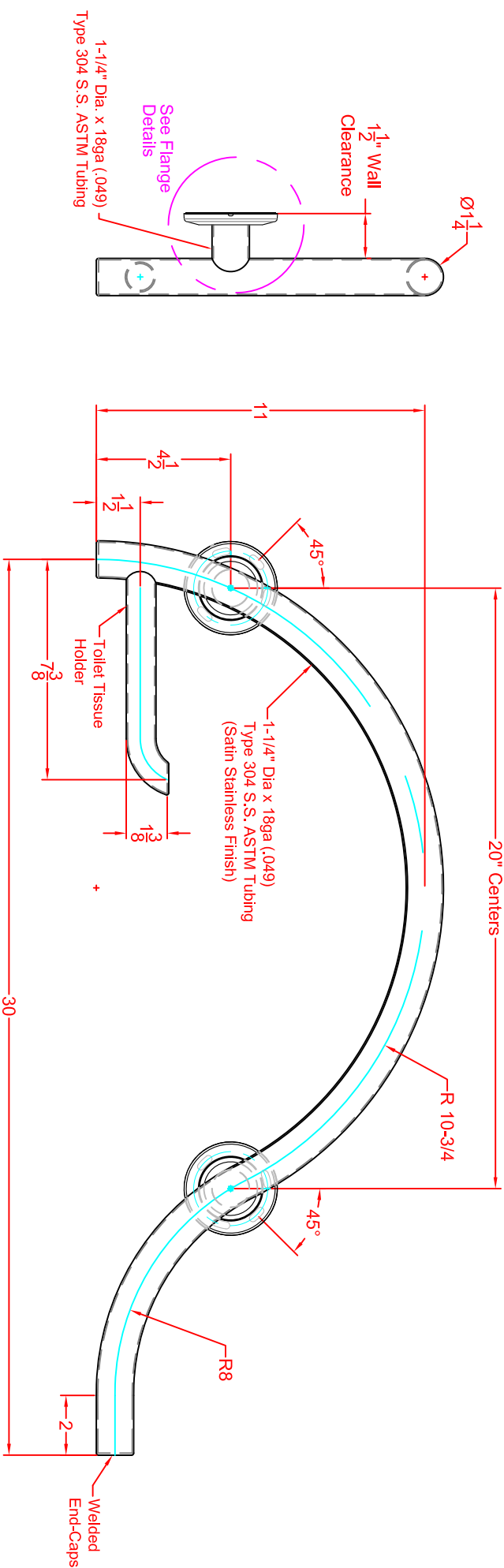
**GWR-33330-QCR-SS**  
**30" RH Pismo Curved Bar w/Toilet Tissue Holder**  
**1-1/4" x 18ga S.S. Tubing**  
**(Satin Stainless Finish)**

## Customer:

Customer Part #

12-06-2019

## LIFESTYLE & WELLNESS



This drawing and the information contained herein is proprietary to Seachrome Corp. and shall not be reproduced, copied or disclosed in whole, or part, or used for manufacturing or for any other purpose without the written permission of Seachrome Corporation.

Hardware Package Includes:  
 (6) #10 x 2-1/2" Phillips Pan Head  
 Sheet Metal Screw