

Bed Frame

Dimension: Full:150.5*200*(91-111)cm
Queen:165.5*213*(91-111)cm

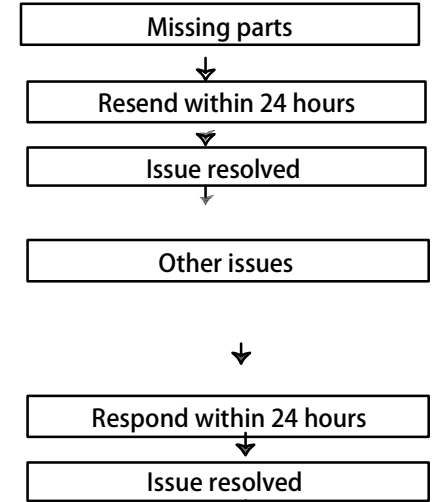
Tips!

Check all the components & screws before assembly. **Do not install in case part is missing, contact us to get.**

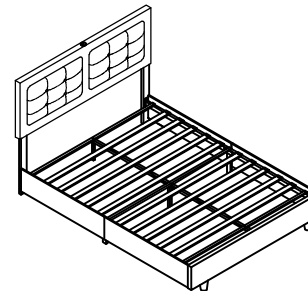
We believe you will absolutely love your new item. But if for some reason you want to return, Our customer service organization can answer most concerns and assist you with any questions you may have about your new item,

The item must be returned within 30 days of delivery for a full refund. The item must be returned in good condition, in original box, with all original proof of purchase, parts and accessories.

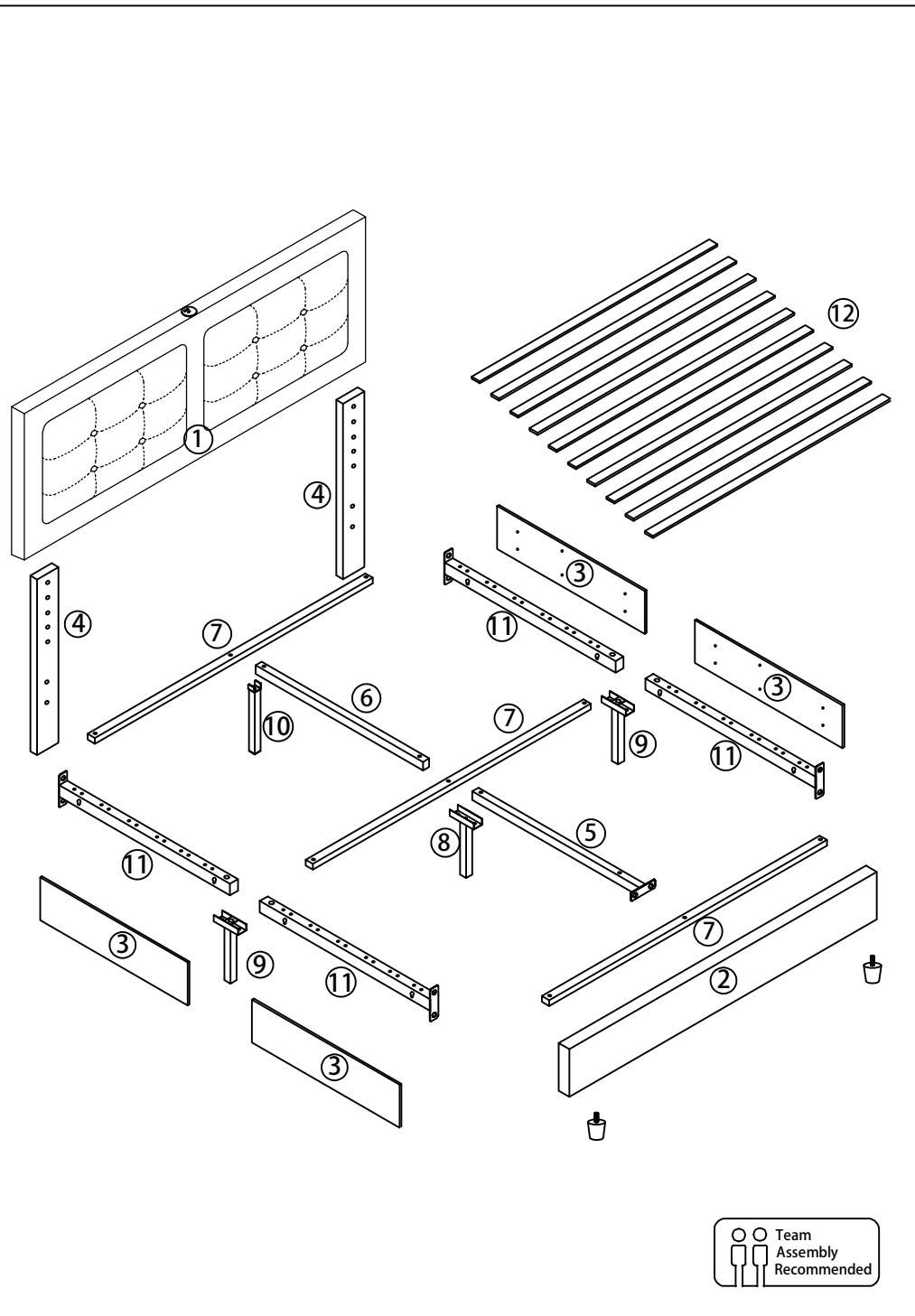
Trouble shooting:



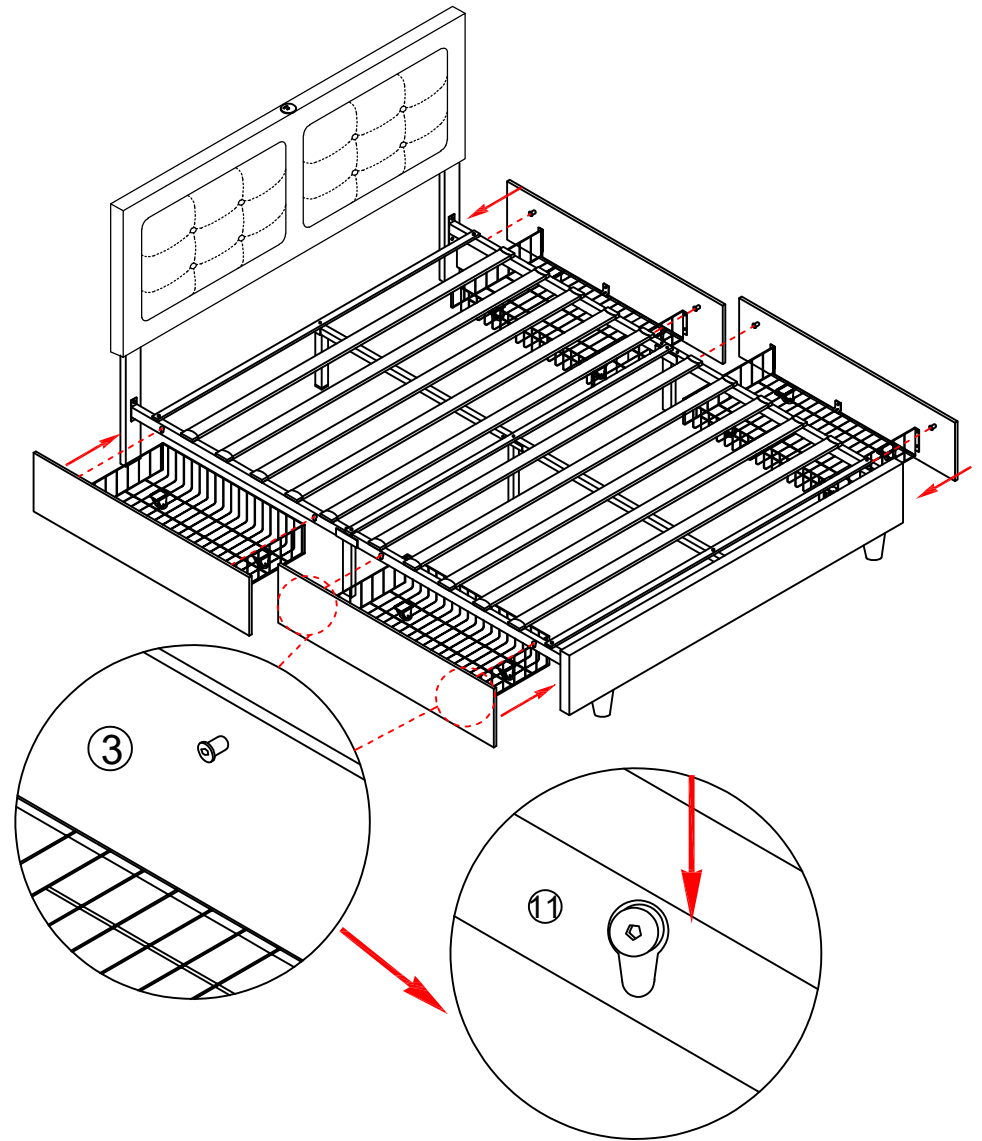
We control manufacturing and distribution ourselves, ensure the quality.



Item Description: Bed Frame
Dimension: 150.5*200*(91-111)cm
165.5*213*(91-111)cm

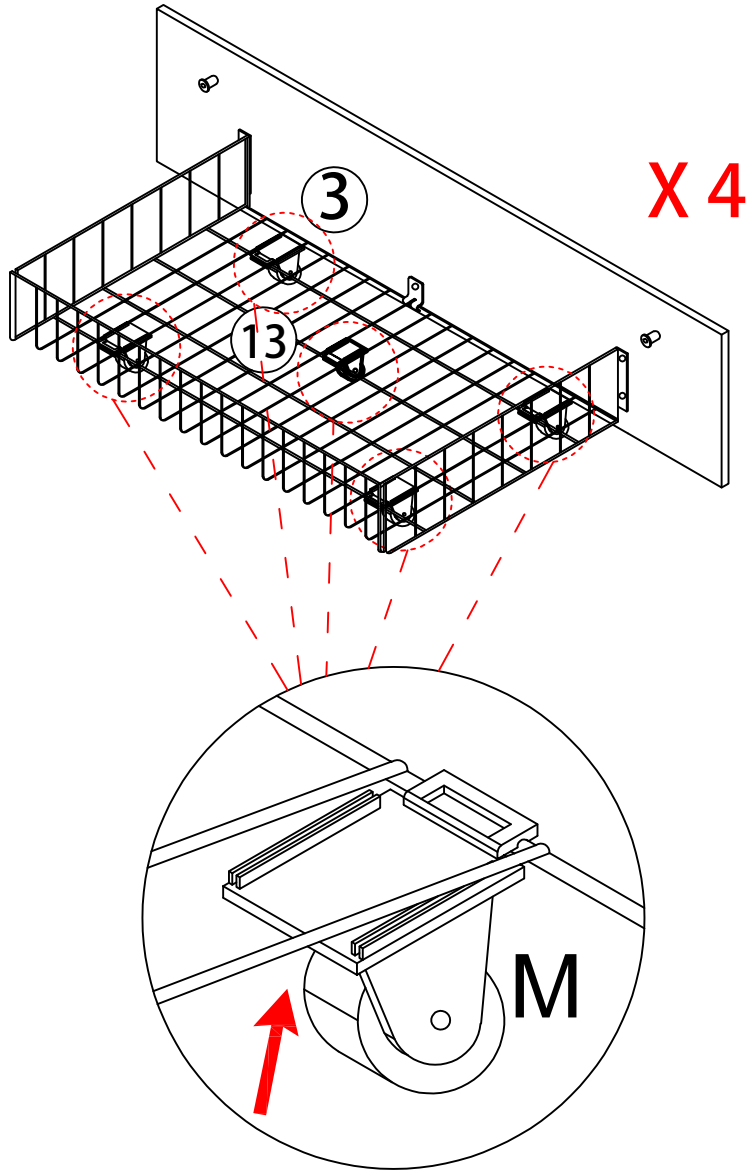


Step 14 Finished

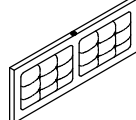
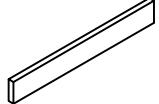
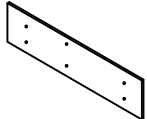
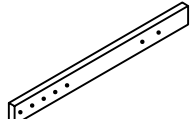
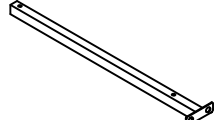
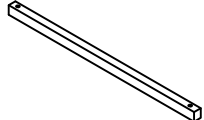
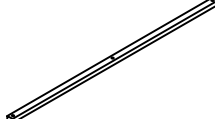



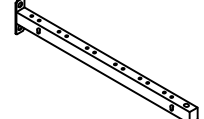
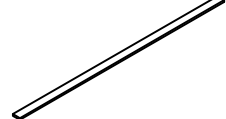


Step 13 Assemble Wheels

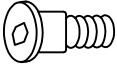
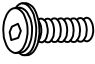
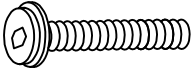






 M x 20






Components

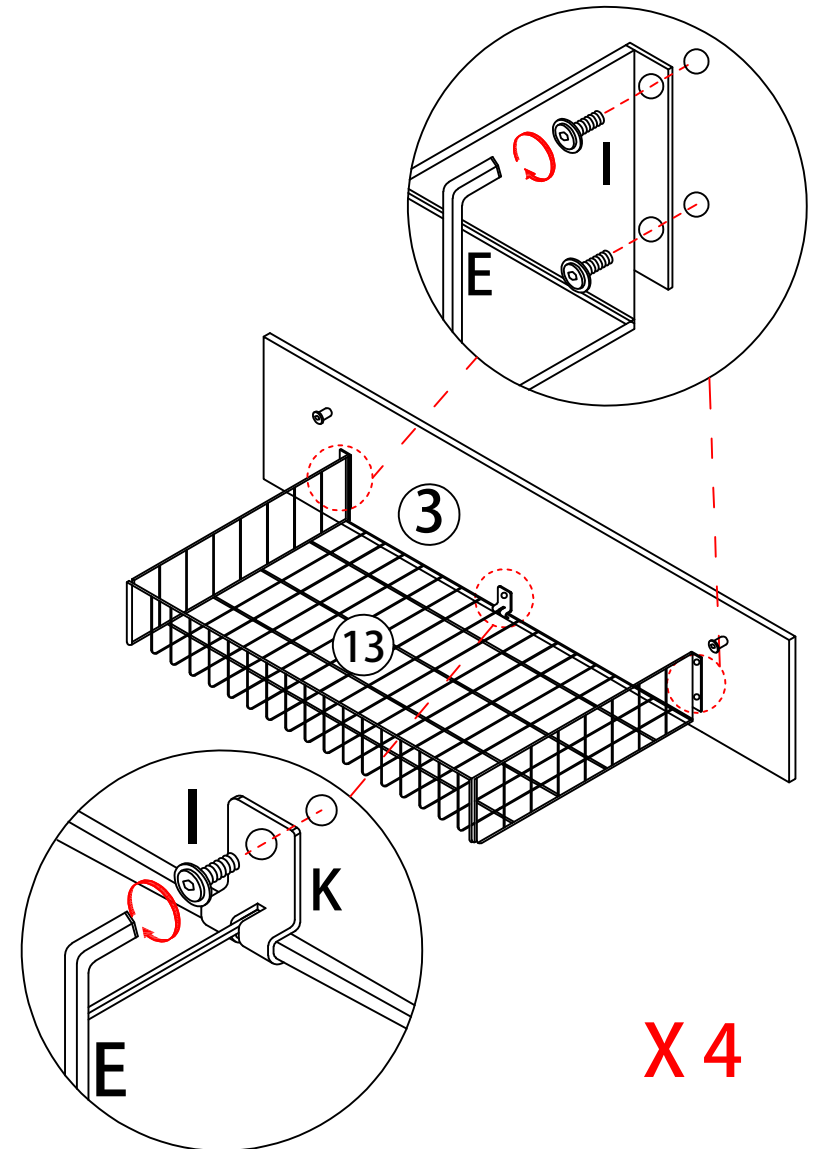
①		1pcs	②		1pcs
	FUUL:150*54*8 QUEEN:165*54*8			FUUL:143*24.5*5 QUEEN:158*24.5*5	
③		4pcs	④		2pcs
	FUUL:96*24.5*2 QUEEN:102.5*24.5*2			FUUL:73*7*2.5 QUEEN:73*7*2.5	
⑤		1pcs	⑥		1pcs
	FUUL:94.6*8*2.5 QUEEN:101*8*2.5			FUUL:86.5*2.5*2.5 QUEEN:92.5*2.5*2.5	
⑦		3pcs	⑧		1pcs
	FUUL:138.6*2.4*1.2 QUEEN:154.1*2.4*1.2			FUUL:22.2*9.4*3.1 QUEEN:22.2*9.4*3.1	
⑨		2pcs	⑩		1pcs
	FUUL:22.2*12*3.6 QUEEN:22.2*12*3.6			FUUL:22*3.1*2.5 QUEEN:22*3.1*2.5	
⑪		4pcs	⑫		10pcs
	FUUL:94.7*9*3 QUEEN:101.2*9*3			FUUL:138*5.2*1.2 QUEEN:153*5.2*1.2	

Screws & Tools

<p>Ⓐ</p>	 <p>Bolt M6 x 10</p>	<p>8</p>	<p>Ⓑ</p>	 <p>Bolt M8 x 25</p>	<p>15</p>
<p>Ⓒ</p>	 <p>Bolt M8 x 45</p>	<p>14</p>	<p>Ⓓ</p>	 <p>Spacer</p>	<p>4</p>
<p>Ⓔ</p>	 <p>Allen Key M4</p>	<p>1</p>	<p>Ⓕ</p>	 <p>Allen Key M5</p>	<p>1</p>
<p>Ⓖ</p>	 <p>SHngle PlastHcCap</p>	<p>20</p>	<p>Ⓗ</p>	 <p>Foot</p>	<p>2</p>
<p>Ⓙ</p>	 <p>Plug</p>	<p>1</p>			

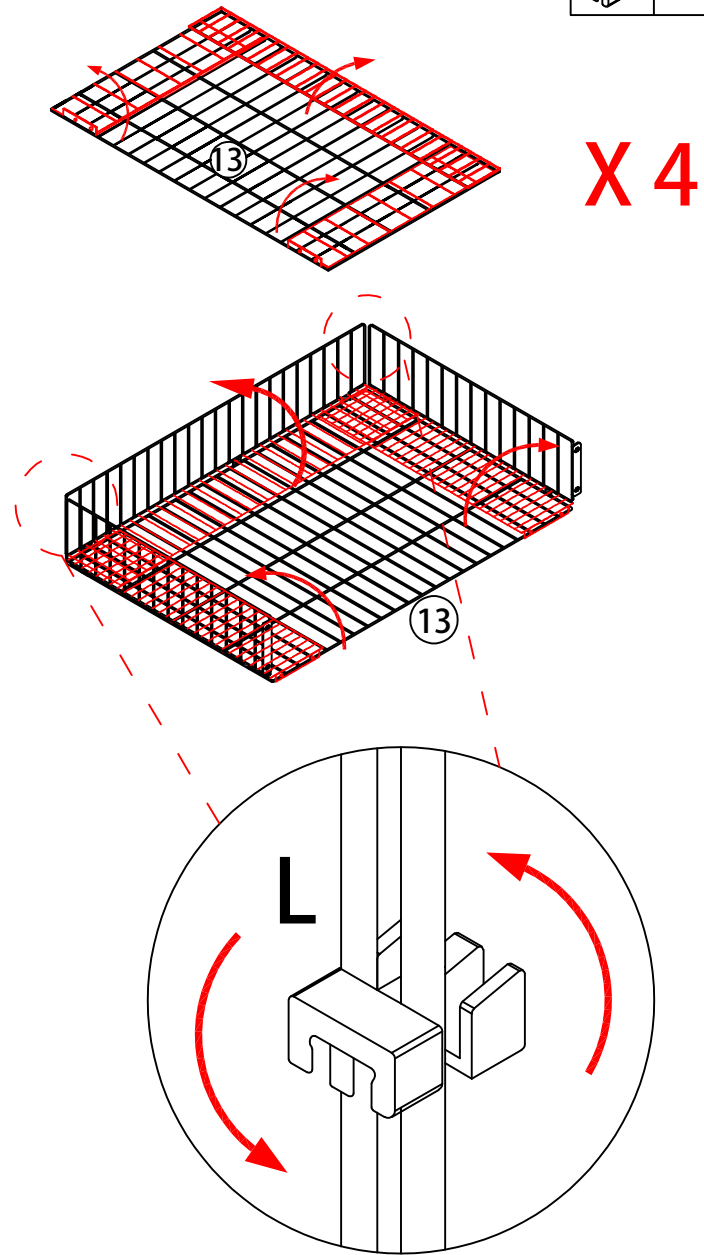
Step 12 Assemble Four Drawers

 I x 20
  K x 4
  E x 1



Step 11

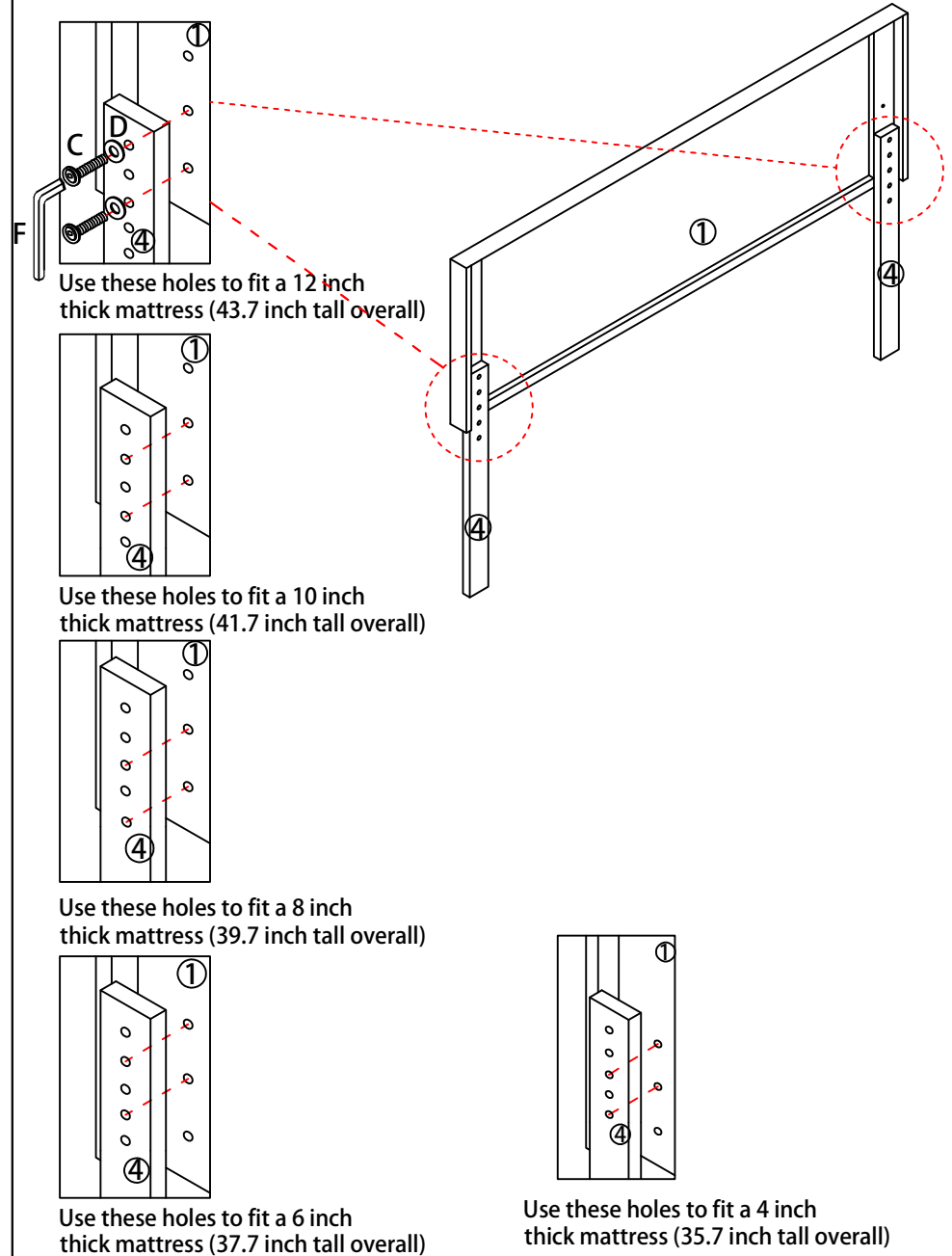
 L x 8



Step 1 Assemble Headboard

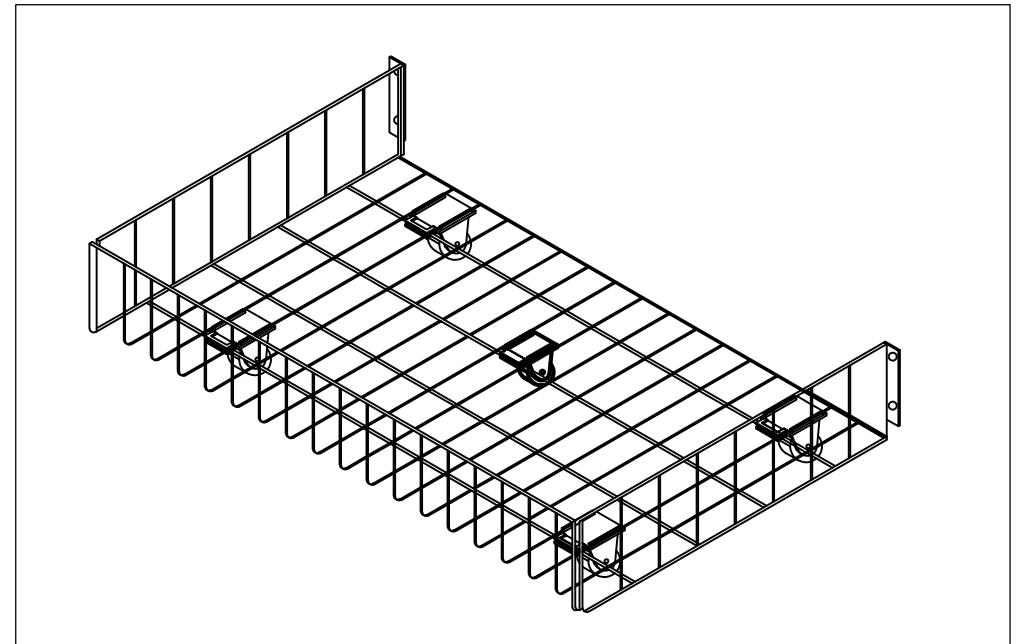
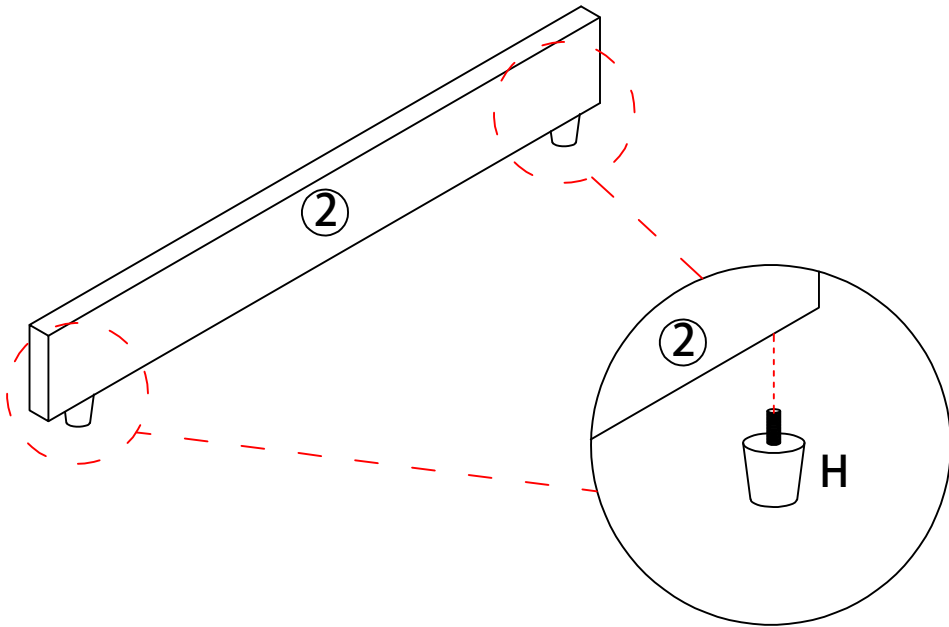
 C x 4  D x 4  F x 1

Each set of holes matches a mattress thickness as displayed below






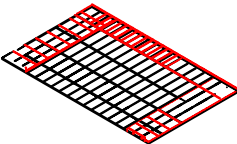


Step 2 Assemble Footboard

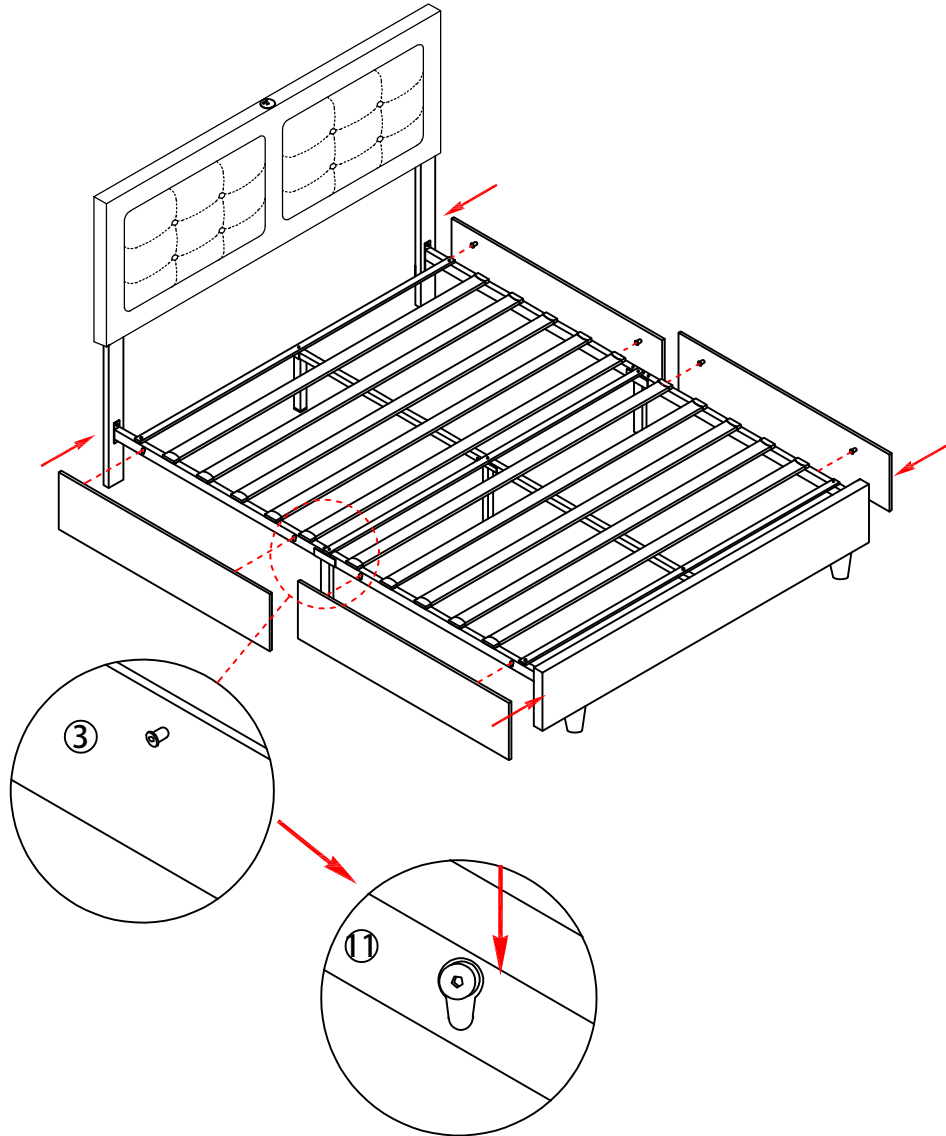
 H x 2



Screws & Tools

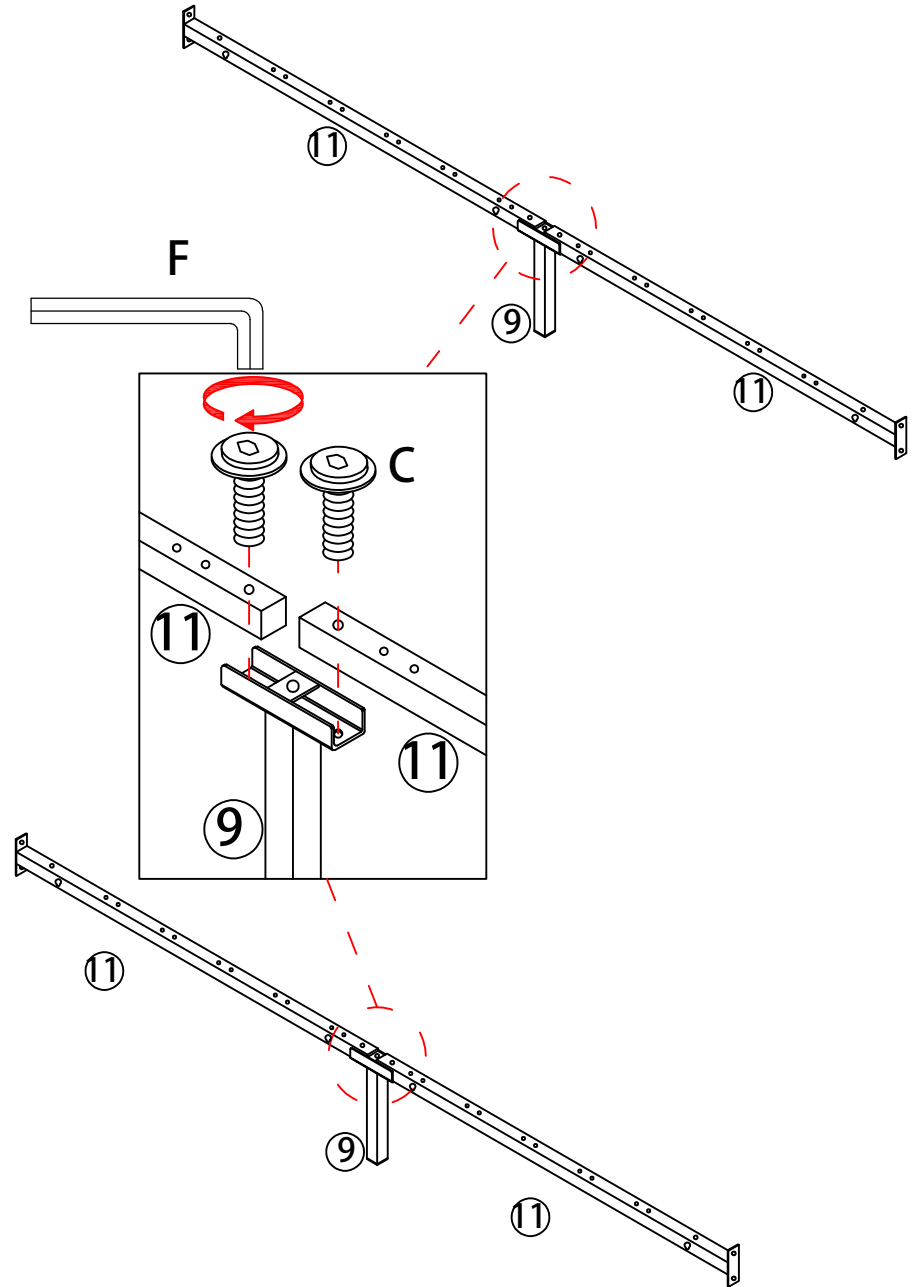
Ⓛ	 Bolt M6 x 15	20	Ⓚ	 Hook	4
Ⓛ	 Plastic Buckles	8	Ⓜ	 Wheel	20
ⓔ	 Allen Key M4	1	Ⓜ	 Wire Mesh	4

Step 10



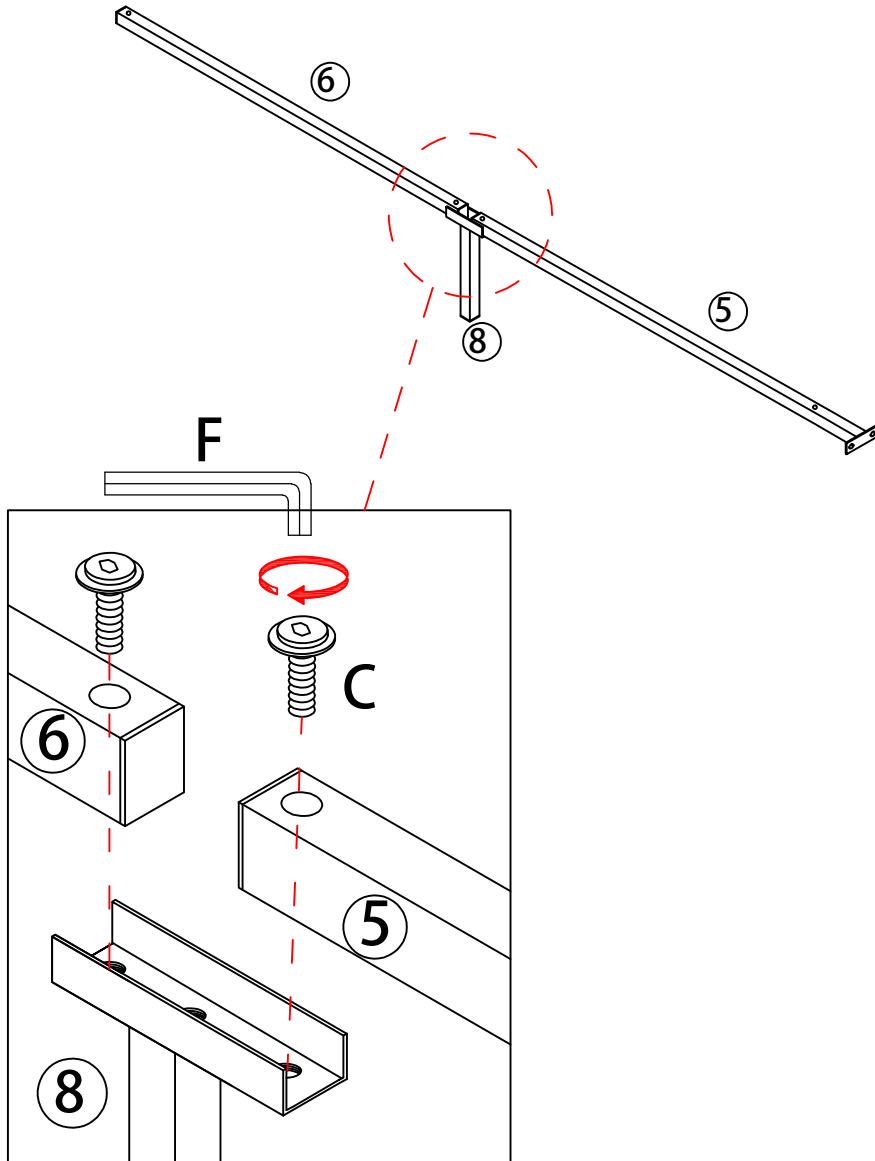
Step 3 Assemble Two Side Frame

C x 4 F x 1



Step 4 Connect Part 5, 6 and 8

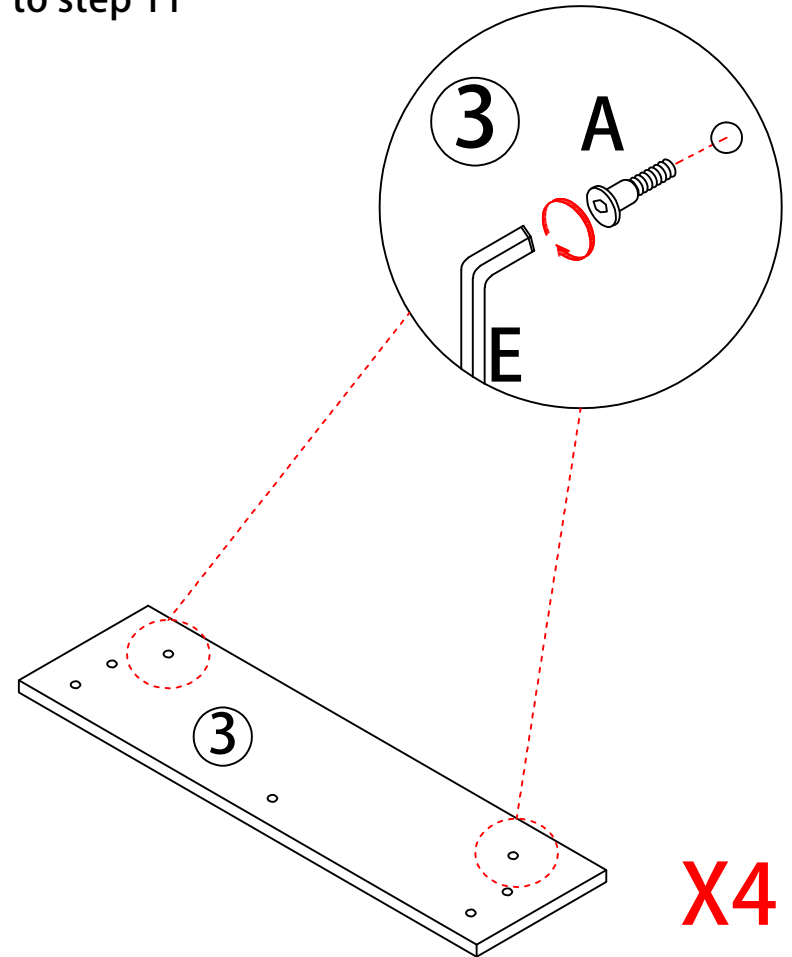
C x 2 F x 1



Step 9

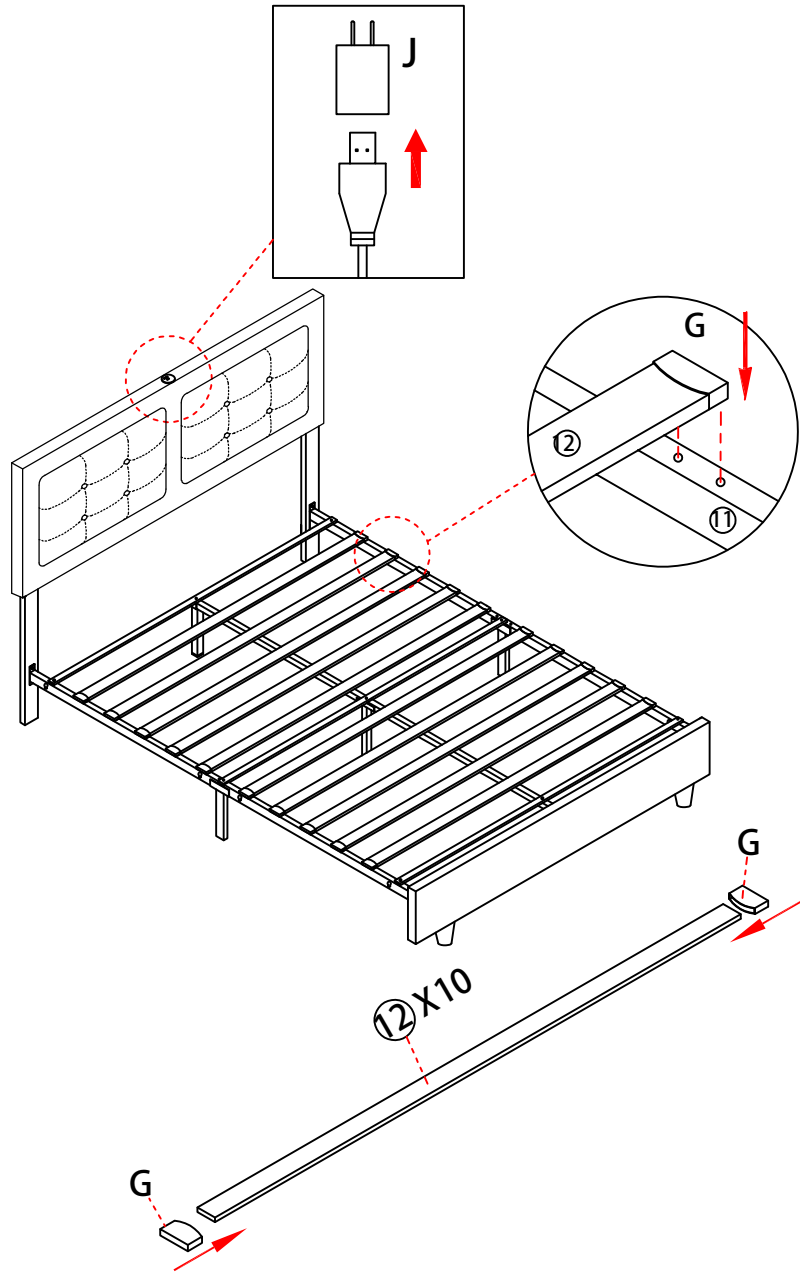
A x 8 Ex 1

If you don't need a drawer, please proceed with installing four baffles. If a drawer is needed, skip step 10 and proceed directly to step 11



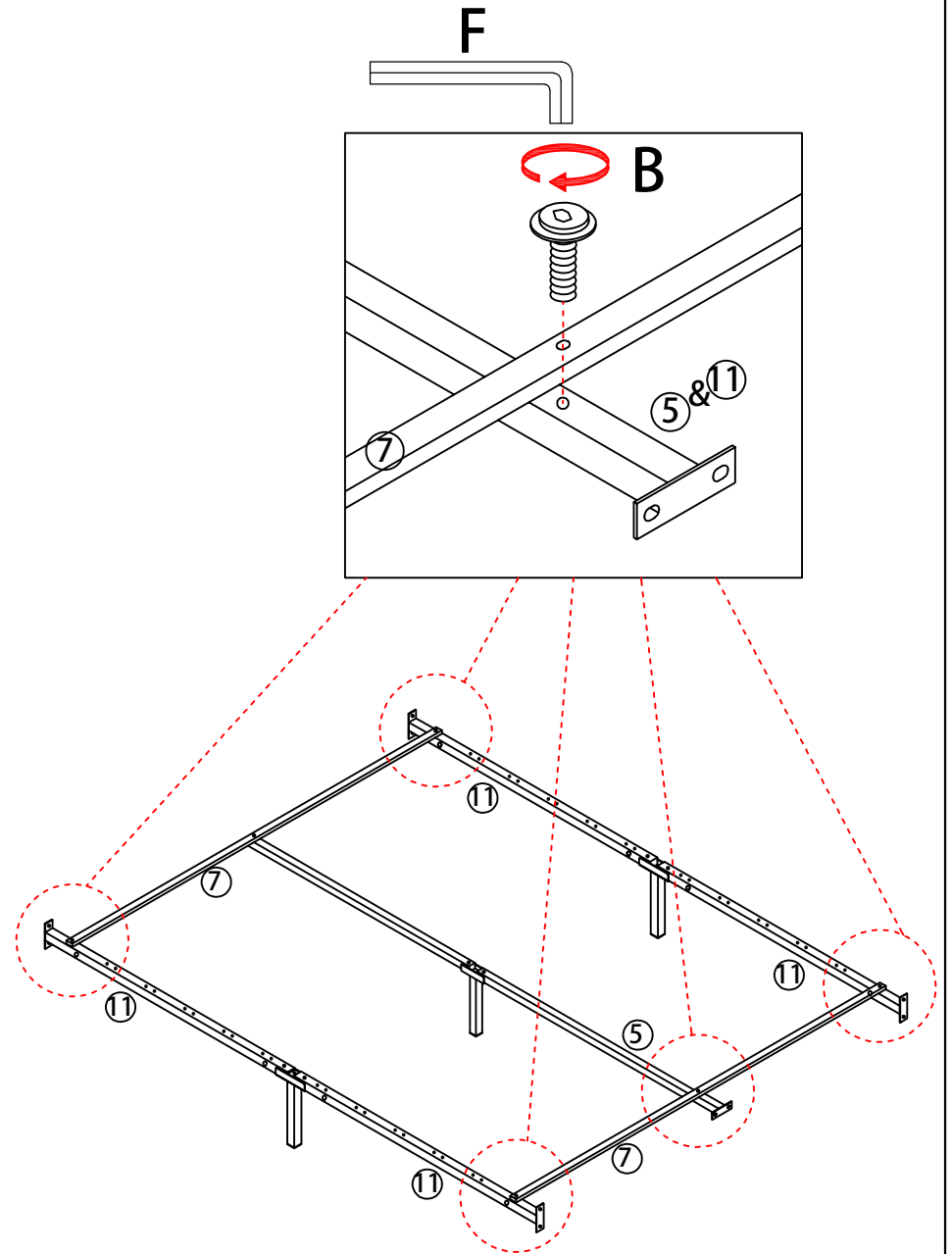
Step 8 Assemble Bed Slats

J X 1 G x 20



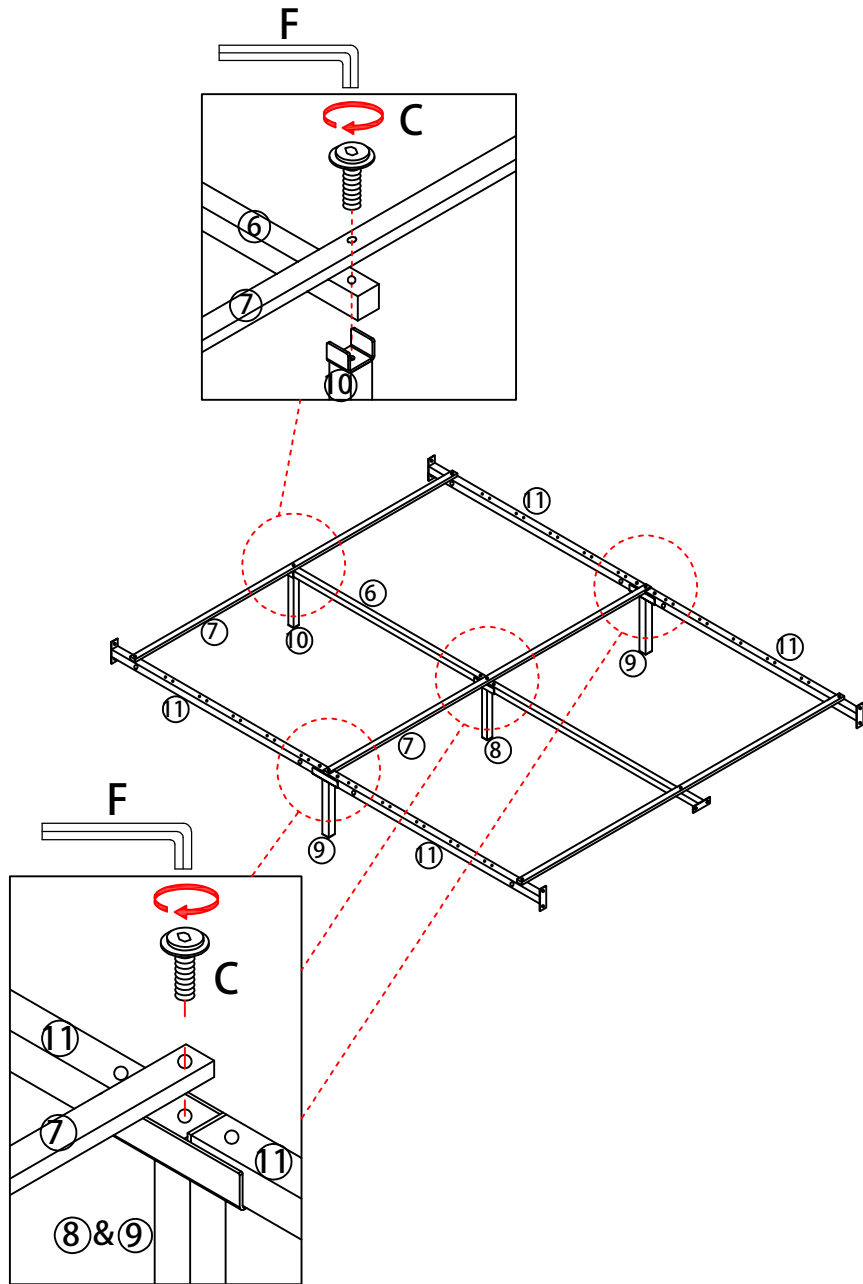
Step 5 Connect Part 7 to Bed Frame

B x 5 F x 1



Step 6 Assemble Center Support Leg

C x 4 F x 1



Step 7 Connect Headboard and Footboard

B x 10 F x 1

