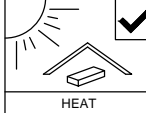




SOFT, DRY CLOTH



CHEMICAL



HEAT



KEEP DRY



HANDLE WITH CARE

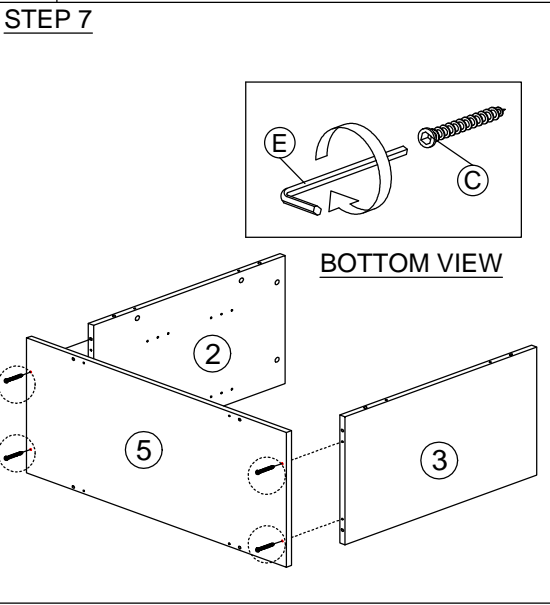
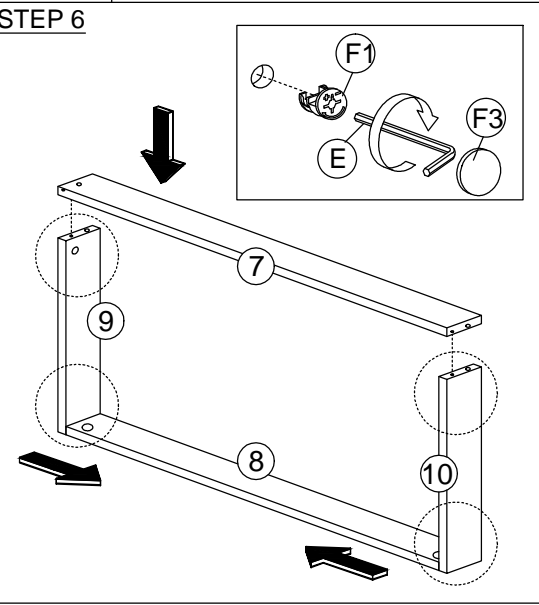
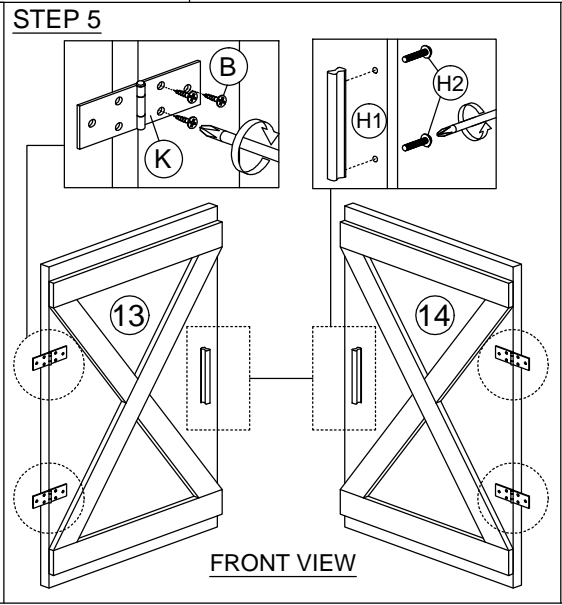
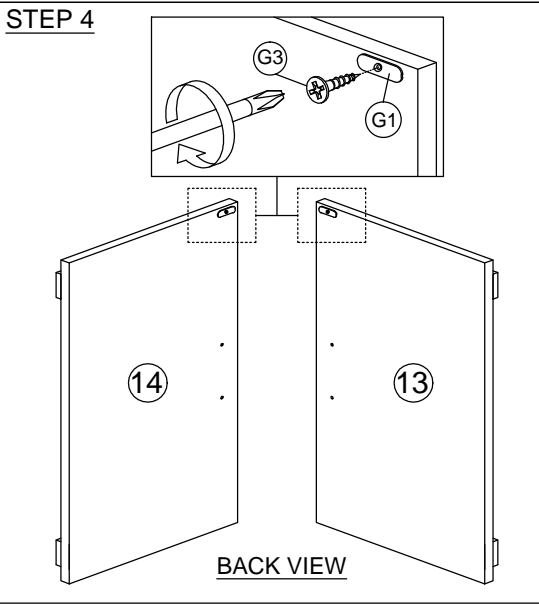
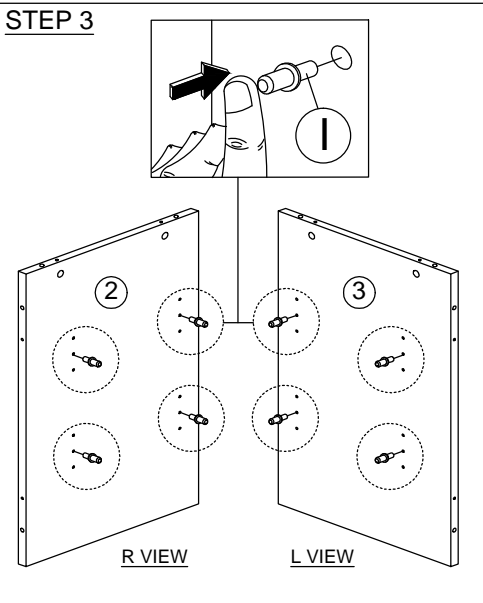
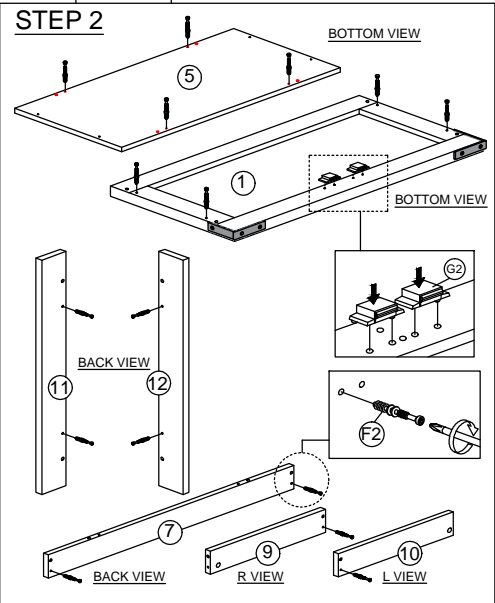
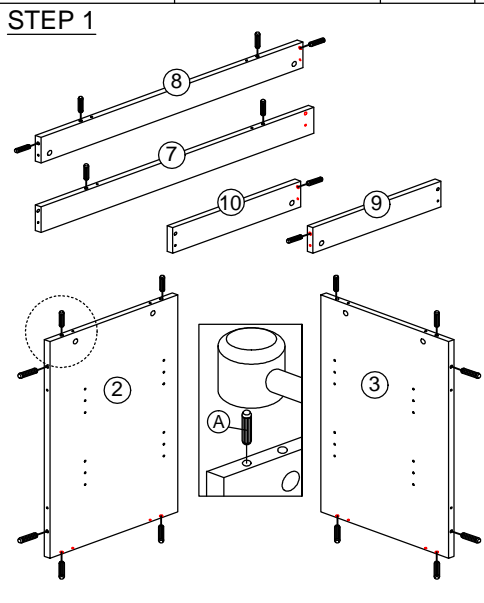
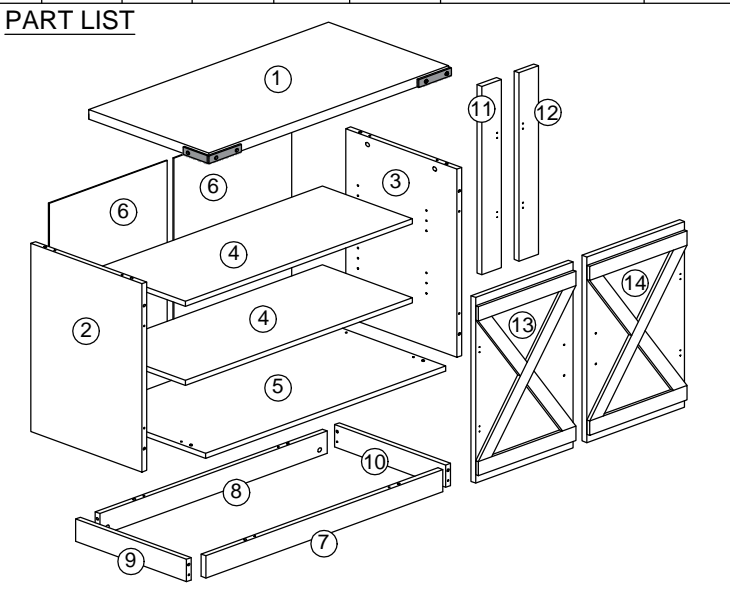


DO NOT USE KNIFE

ASSEMBLY INSTRUCTION

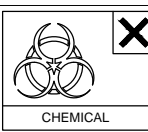
DESCRIPTION : 2 DOOR SHOE CABINET

HARDWARE	A	B	C	D	E	F	G	H	I	J	K
	WOOD DOWEL M8 X 25MM	CB SCREW M3.5X16MM	CSK CAP WOOD M6X40MM	NAIL 5/8	L KEY	MINIFIX 5654+5546	3.5 KG MAGNET (1 HOLE)	HANDLE 7050	SHELF SUPPORT	PVC NAIL WITH PIN 5/8	METAL HINGES BRACKET
	20	24	4	16	1	16 SETS	2 SETS	2	8	4	4

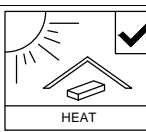




SOFT, DRY CLOTH



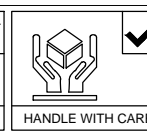
CHEMICAL



HEAT



KEEP DRY



HANDLE WITH CARE

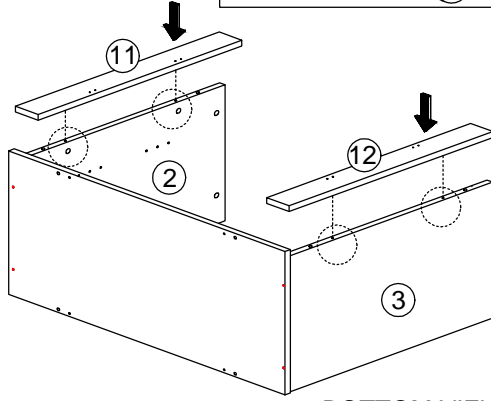
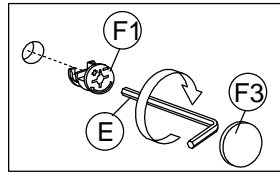


DO NOT USE KNIFE

ASSEMBLY INSTRUCTION

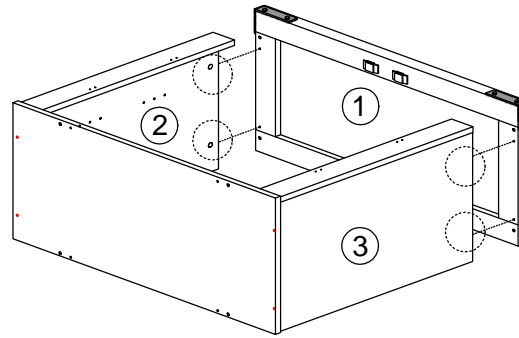
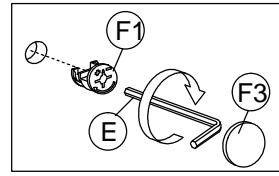
DESCRIPTION : 2 DOOR SHOE CABINET

STEP 8



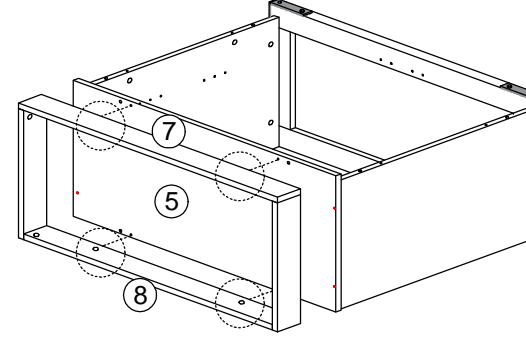
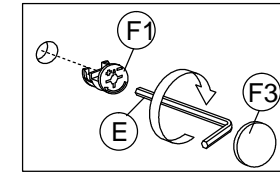
BOTTOM VIEW

STEP 9



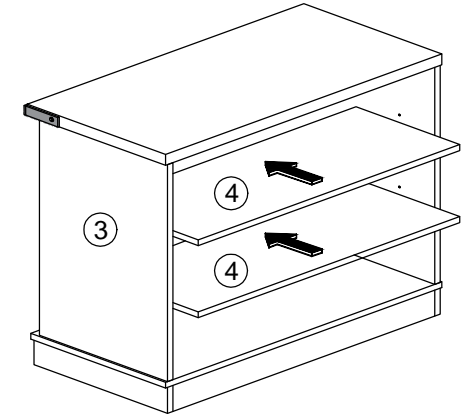
BOTTOM VIEW

STEP 10



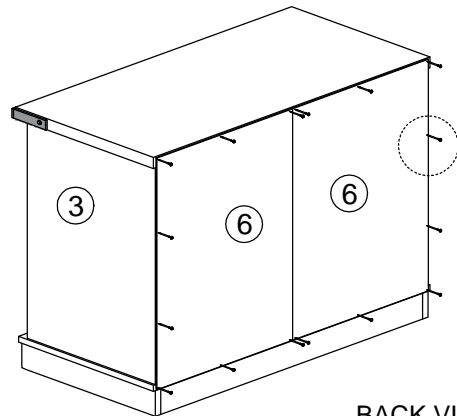
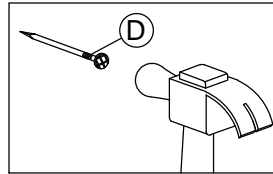
BOTTOM VIEW

STEP 11



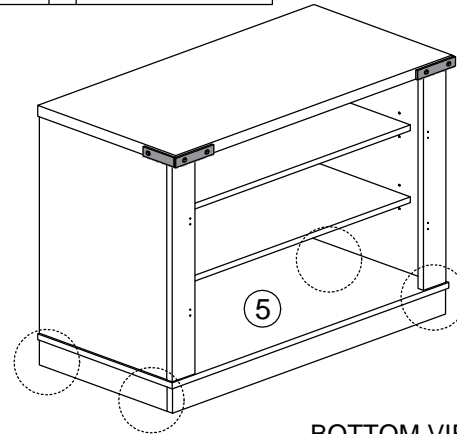
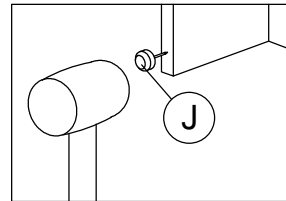
BACK VIEW

STEP 12



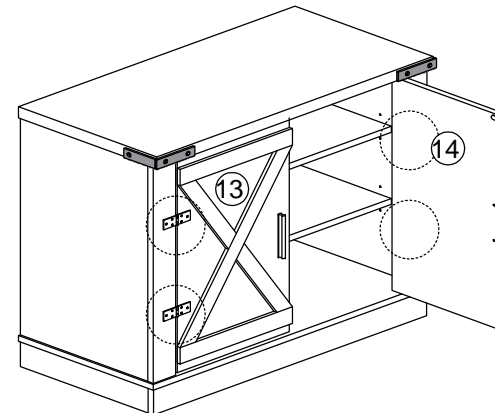
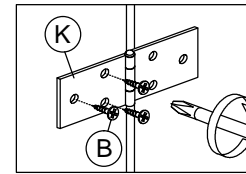
BACK VIEW

STEP 13

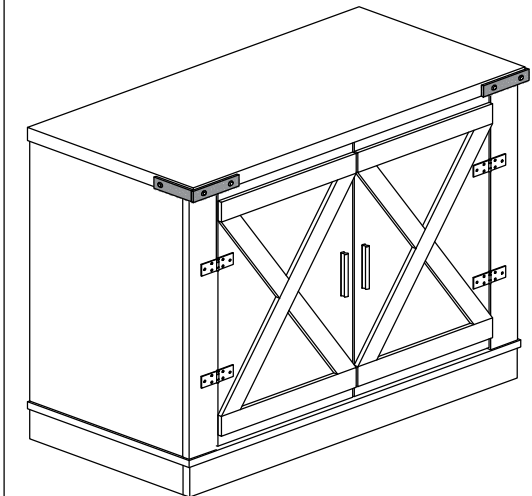


BOTTOM VIEW

STEP 14

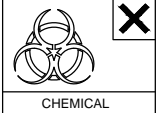


COMPLETED

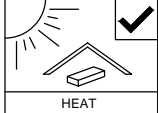




SOFT, DRY CLOTH



CHEMICAL



HEAT



KEEP DRY



HANDLE WITH CARE



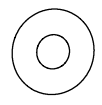
DO NOT USE KNIFE

ASSEMBLY INSTRUCTION

DESCRIPTION : 2 DOOR SHOE CABINET

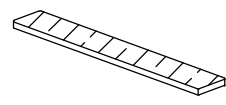
ANTI STOPPER

V



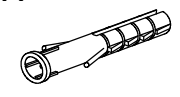
WASHER
X4

W



SAFETY STRAP
X2

X



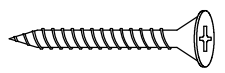
PLASTIC WALL ANCHOR-RED
X2

Y



CB SCREW
M3.5X16MM
X2

Z



CB SCREW
M4X38MM
X2

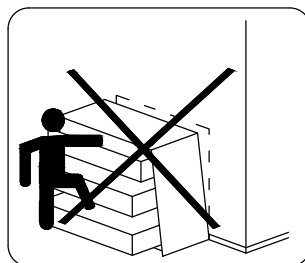
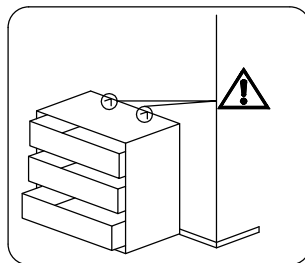
1.

2.

3.

4.

5.



⚠ WARNING

Serious or fatal crushing injuries can occur from furniture tipover. To help prevent tip-over:

- Install tip over restraint provided.
- Place heaviest items in the lower drawers.
- Unless specifically designed to accommodate, do not set TVs or other heavy object on top of this product.
- Never allow children to climb or hang on drawers, doors or shelves.
- Never open more than one drawer at a time. (OR)
- Do not defeat or remove the drawer interlock system.

Use of tipover restraints may only reduce, but not eliminate, the risk of tipover.

This is a permanent label. Do not remove.