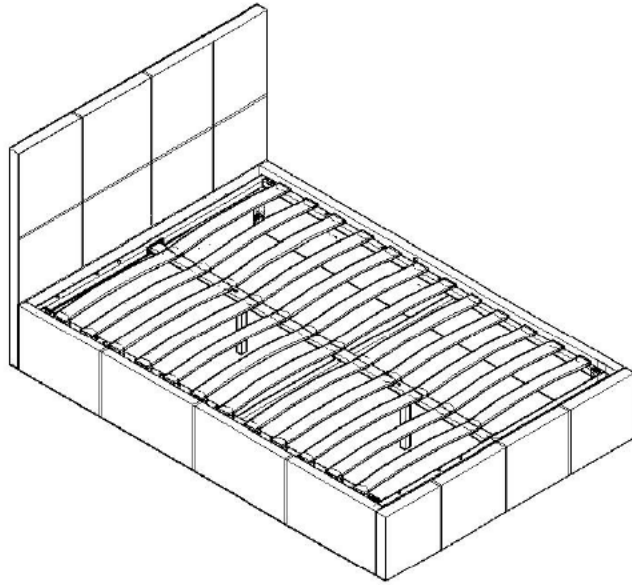
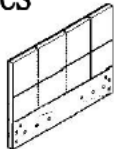
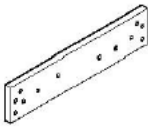


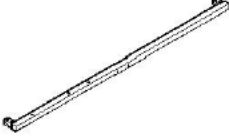


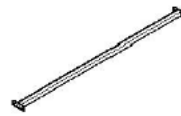





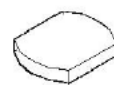


















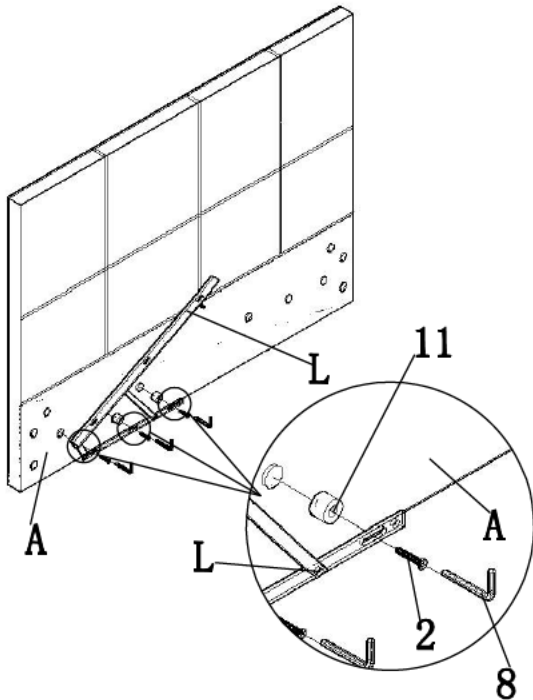
ASSEMBLY INSTRUCTIONS



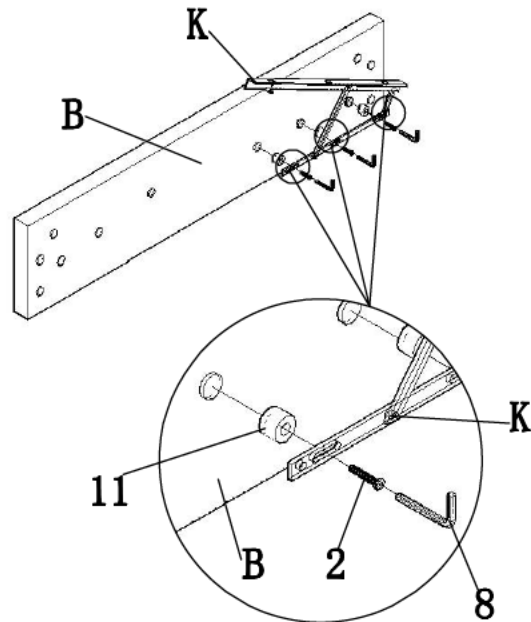
A. 1PCS 	B. 1PCS 	C. 2PCS 	D. 2PCS 	E. 1PCS 	
F. 1PCS 	G. 1PCS 	H. 1PCS 	I. 2PCS 	J. 2PCS 	
K. 1PCS 	L. 1PCS 	M. 24PCS 	N. 12PCS 	O. 24PCS 	
P. 2PCS 	Q. 1PCS 	R. 1PCS 	S. 2PCS 		
1. M8*20 12PCS 	2. M8*40 12PCS 	3. M6*16 8PCS 	4. M6*35 8PCS 	5. M8*20 4PCS 	6. M8 6PCS 
7. M6 8PCS 	8. 	9. 	10. 7PCS 	11. 6PCS 	

ASSEMBLY INSTRUCTIONS

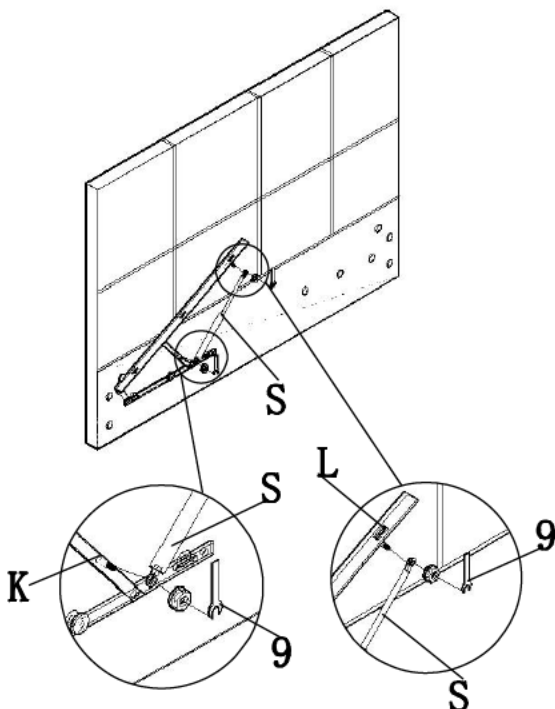
- 1** Assemble the gas lifting L to the headboard A. using the allen key 8. bolt 2. black shaft 11 .



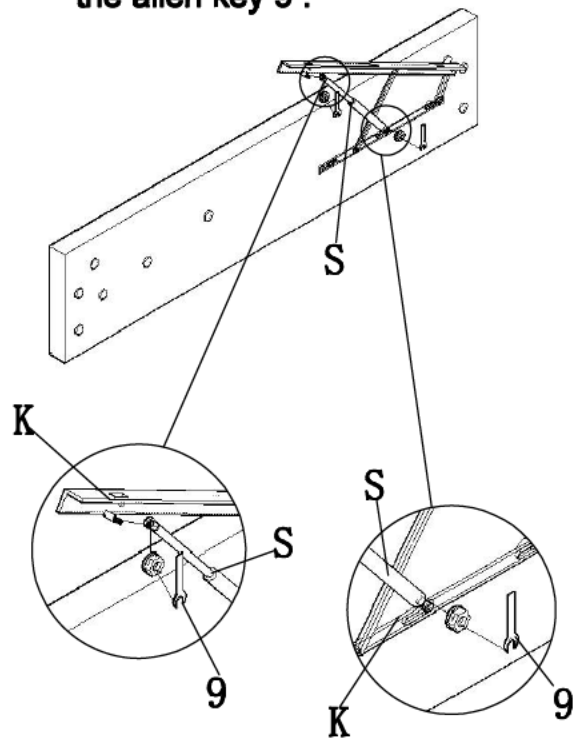
- 2** Assemble the gas lifting K to the footboard B. using the allen key 8. bolt 2. black shaft 11 .



- 3** Assemble the gas lifting bar S,L to the headboard,using the allen key 9 .

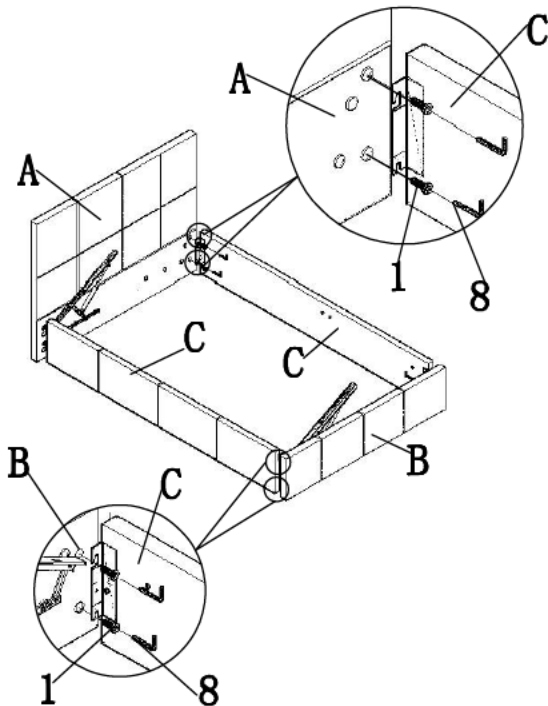


- 4** Assemble the gas lifting bar S,K to the footboard ,using the allen key 9 .

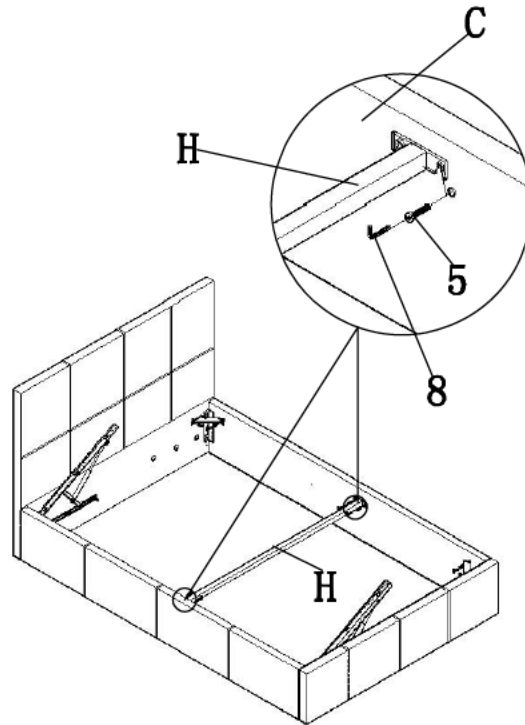


ASSEMBLY INSTRUCTIONS

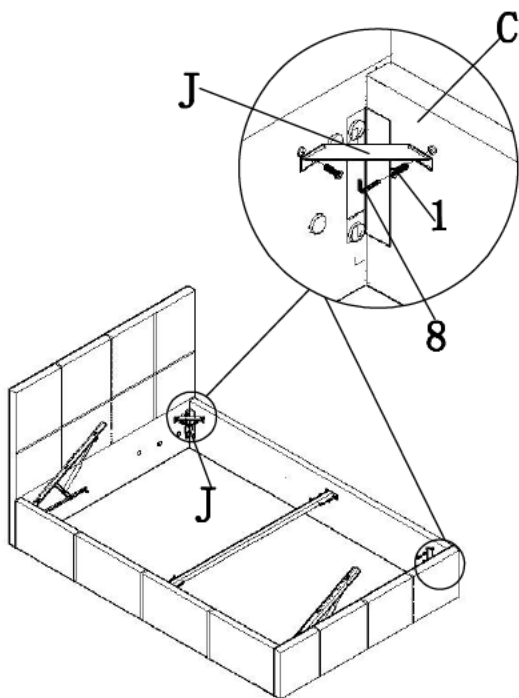
- 5** Assemble the headboard A with C using the bolt 1 and allen key 8. Assemble the footboard B with C using the bolt 1 and allen key 8.



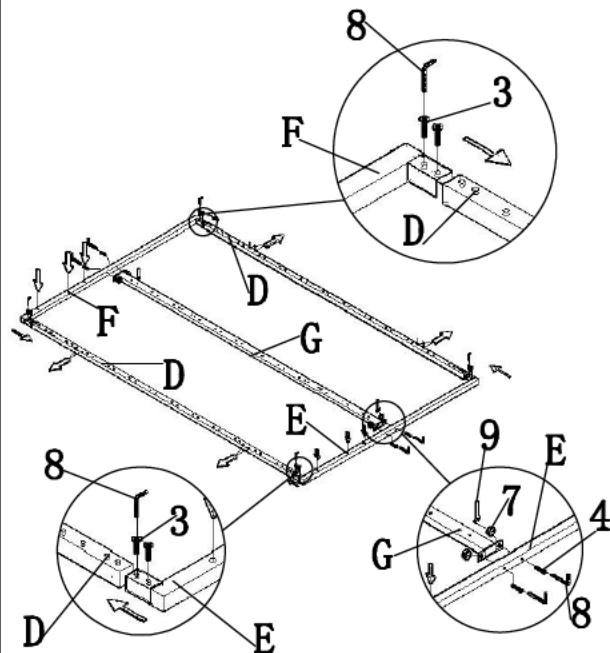
- 6** Assemble the middle metal tube H to the siderail C, using the bolt 5 and allen key 8.



- 7** Connect the siderail C to the headboard or footboard using the hardware J, the bolt 1 and allen key 8.



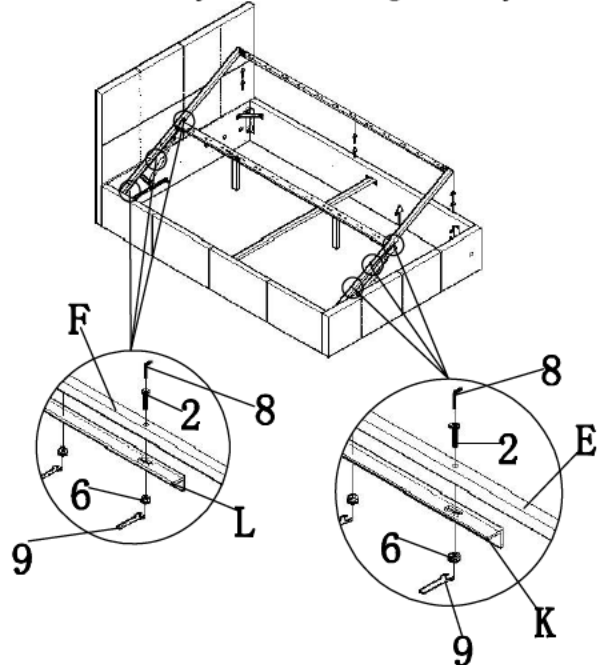
- 8** Assemble the bed frame: assemble the metal tube D to E using the bolt 3 and allen key 8; assemble the metal tube D to E using the bolt 3 and allen key 8; Assemble the middle rail G to the metal tube E, F, using the bolt 4, allen key 8, nut 7 and big allen key 9.



ASSEMBLY INSTRUCTIONS

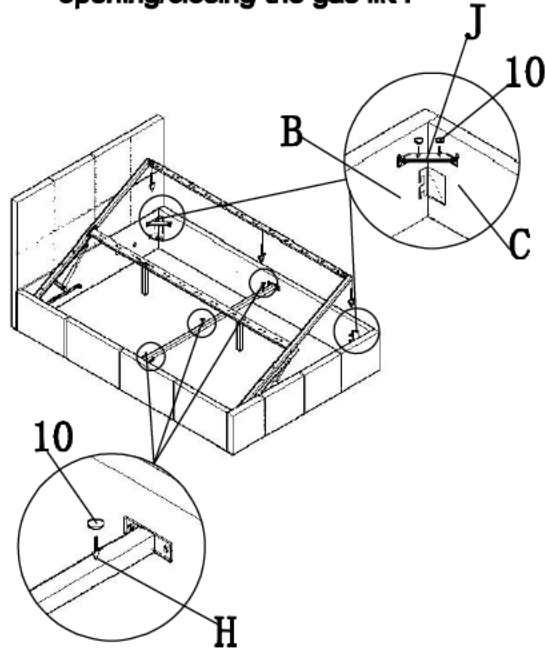
9

Assemble the headboard metal tube part F to the gas lifting L using the bolt 2, allen key 8, nut 6 and big allen key 9; Assemble the footboard metal tube part E to the gas lifting L using the bolt 2, allen key 9, nut 6 and big allen key 9.



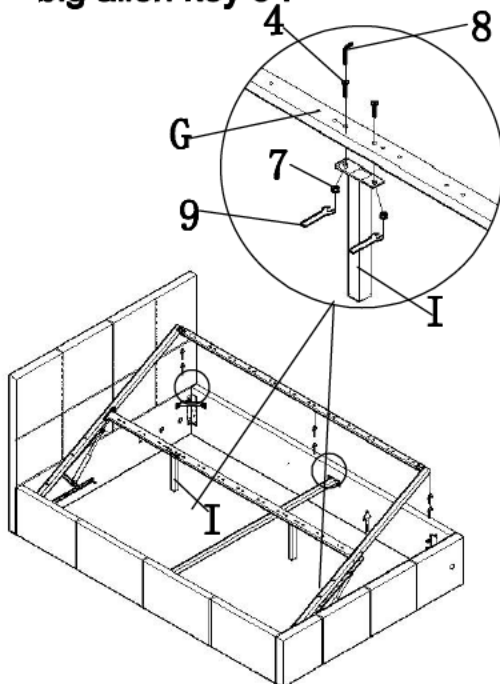
10

put the protective pads 10 on the middle metal tube H; also put two protective pads 10 on J. Remark: The use of parts 10 (protective pads) helps minimise the sound when opening/closing the gas lift.



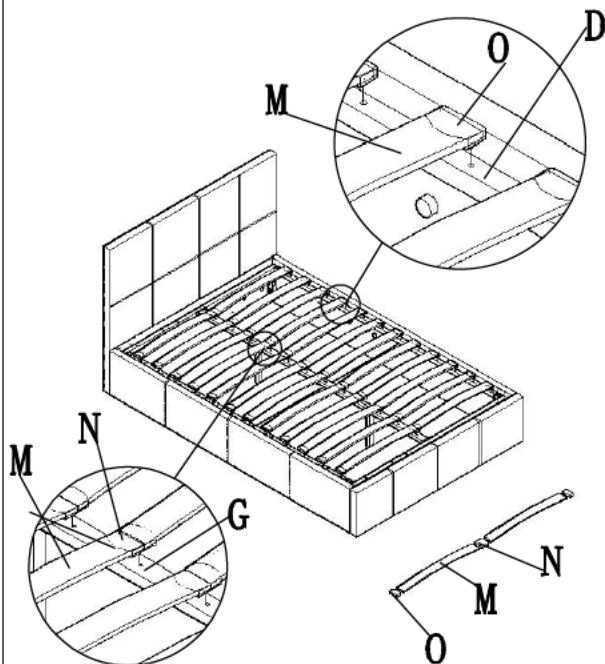
11

Assemble the two legs I to the middle rail G, using the bolt 4, allen key 8, nut 7 and big allen key 9.



12

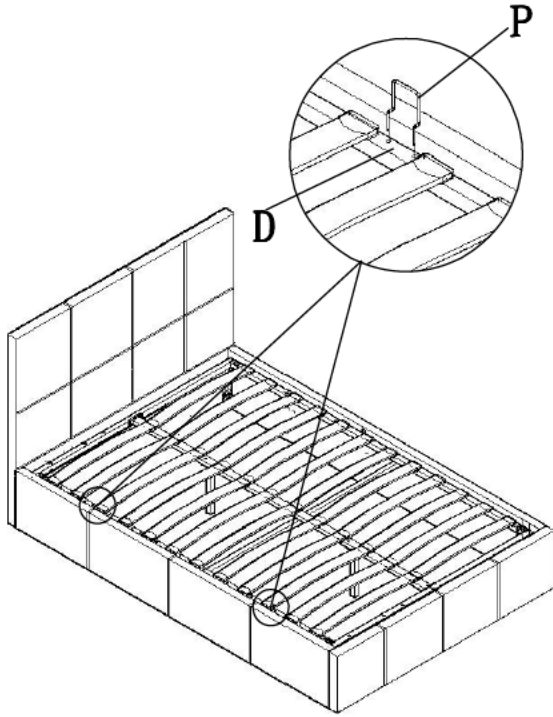
Assemble the wood slat M with plastic N and O. Put the wood slat on siderail D and middle rail G.



ASSEMBLY INSTRUCTIONS

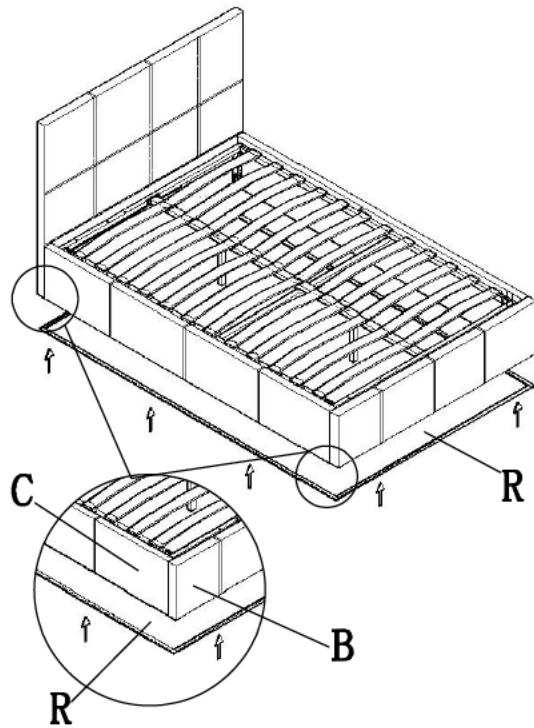
13

Put the two hooks P on the siderail D .



14

Lay part R to the headboard ,siderail and footboard .



15

Put the rope/handle Q on the sideboard D ,bed is complete .

