

NOTICE

- * Please make sure that you have all parts indicated and they are in good condition before you begin assembly of this item. Refer to part list and hardware list below for guidance.
- * This item should be assembled on a soft surface to prevent scratching the finish during assembly.
- * This item may require periodic tightening.

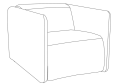
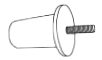

PREPARATION

- * Before beginning assembly of product, make sure all parts are present. Compare parts with part contents list and hardware contents list.
- * If any part is missing or damaged, do not attempt to assemble the product.
- * Estimated Assembly Time: 10 minutes.

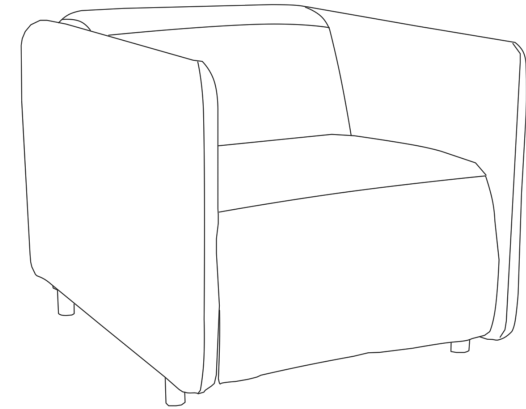
CARE AND MAINTENANCE

- * Spot clean using a mild water-free solvent. Only a professional cleaner should undertake a complete overall cleaning.
- * The use of steam or water-based cleaners may cause excessive shrinking or staining.

Part List and Hardware List

PIECE	DESCRIPTION	PICTURE	QUANTITY
A	Seat		1X
B	Legs		4X
C	Plastic Washer		4X

Dimensions: 32.0"W*37.5"D*28.2"H



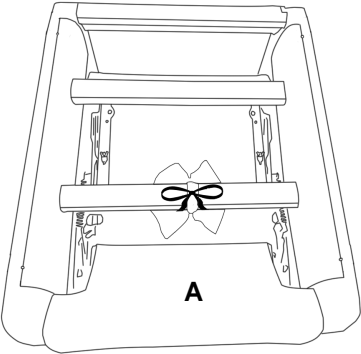
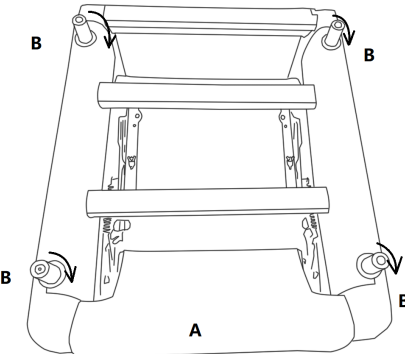
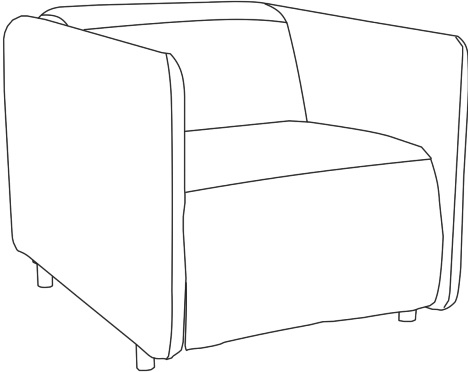
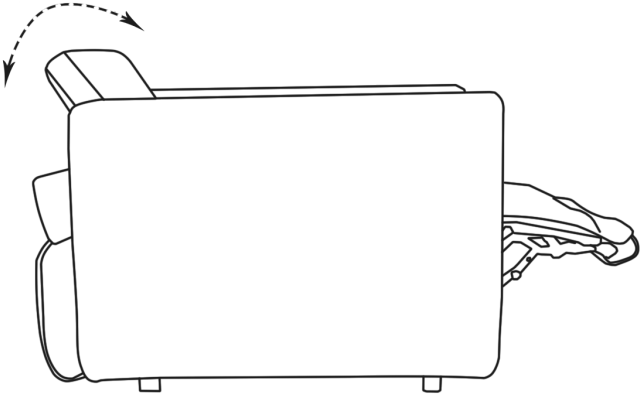
Weight Capacity: 275 lbs

WARNING: DO NOT STAND ON CHAIR

WARNING: DO NOT OVER TORQUE BOLTS/SCREWS

PREPARATION

- * Before beginning assembly of product, make sure all parts are present. Compare parts with part contents list and hardware contents list.
- * If any part is missing or damaged, do not attempt to assemble the product.
- * Estimated Assembly Time: 10 minutes.

	
<p>STEP1 OPEN THE CARTON AND THE LEGS IS UNDER THE SEAT.</p>	<p>STEP2 ROTATE THE LEGS UNTIL TIGHTEN AS SHOWN IN THE PICTURE.</p>
	
<p>STEP3 PUT THE CHAIR UPRIGHT AND MAKE SURE ALL LEGS ARE LEVEN. IF THE CHAIR WOBBLY, YOU CAN ADJUST LEGS BY ADDING PLASTIC WASHER(C)BEFORE ROTATING.</p>	<p>THE RELINER CAN BE ADJUSTED TO DIFFERENT DEGREES FOR MAXIMUM COMFORT.</p>