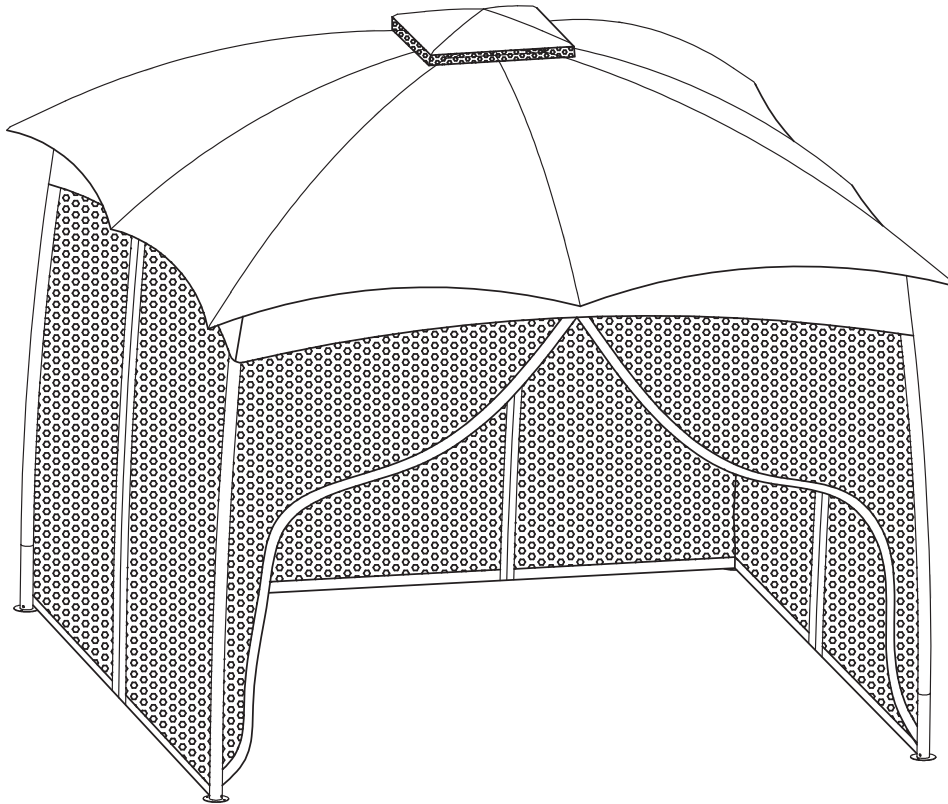


# Assembly Instructions

Item No.: TW0481010GZARC



**10x10Ft Arc Top and Foot Gazebo with mosquito netting**

**WE HAVE YOU IN MIND, LET US SERVE YOU!**

# Safety Information

Two people are required for this assembly.

Some parts may contain sharp edges.

Wear protective gloves.

When assembling and using this product, basic safety precautions should always be followed to reduce the risk of personal injury and damage to equipment.

Please read all instructions before assembly and usage.



**CAUTION:** Do not climb on top of the gazebo. Falling off the gazebo can result in serious injury.

**NOTICE:** For outdoor use










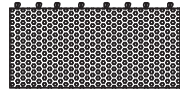



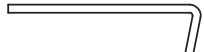




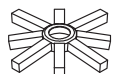



**DANGER:** This unit is heavy! Do not assemble this item alone



**WARNING:** Do not leave the gazebo where there is a risk of high wind, as possible damage will occur to the structure.

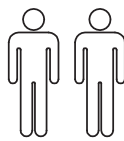


**WARNING:** Keep all flame and heat sources away from this gazebo fabric. This Gazebo is made with fabric that meets CPAI-84 specifications for flame resistance. It is not fire proof. The fabric will burn if left in continuous contact with any flame source. The application of any foreign substance to the gazebo fabric may render the flame-resistant properties ineffective.

Parts Name	Item No.	Parts Images	Qty.	Parts Name	Item No.	Parts Images	Qty.
Top-Leg Post	A1		4	Short Extension Tube	K2		4
Down-Leg Post	A2		4	Big Canopy	O1		1
Top Left Beam	C1		4	Small Canopy	O2		1
Right Beam	C2		4	Mosquito Netting	P1		4
Upper Top Slant Bar	G1		4	Screws DD	DD		24
Lower Top Slant Bar	G2		4	Stake	II		8
Upper Middle Top Bar	I1		4	Long Screw	JJ		1
Lower Middle Top Bar	I2		4	Ring	LL		32
Top Connector	J		1	Hook	N		1
Long Extension Tube	K1		4	Sandbags			4



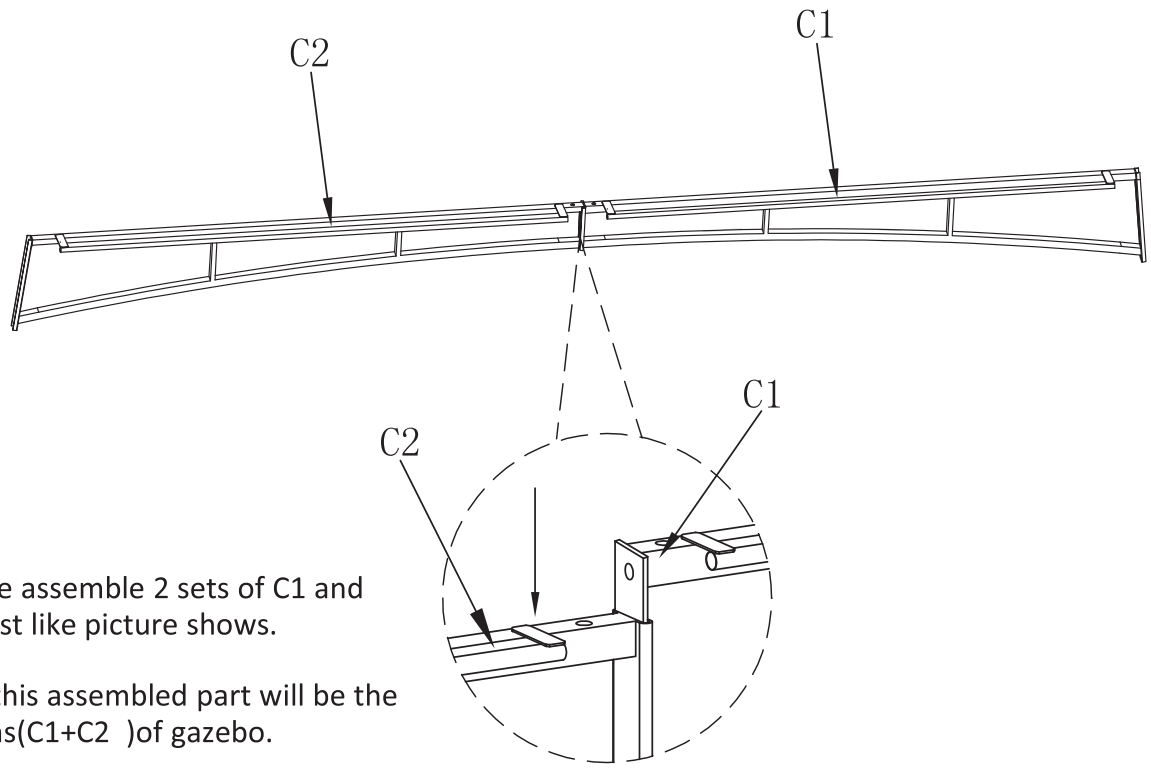
Hammer not included



Two person



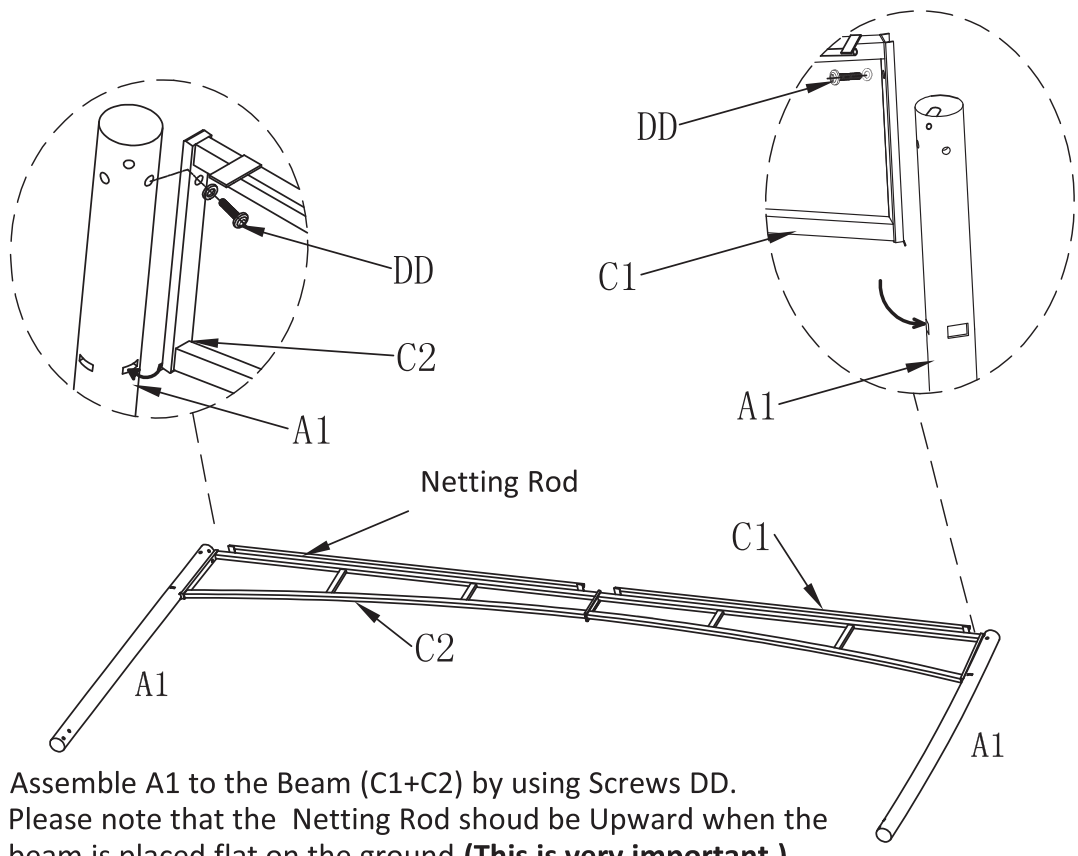
1



Please assemble 2 sets of C1 and C2 first like picture shows.

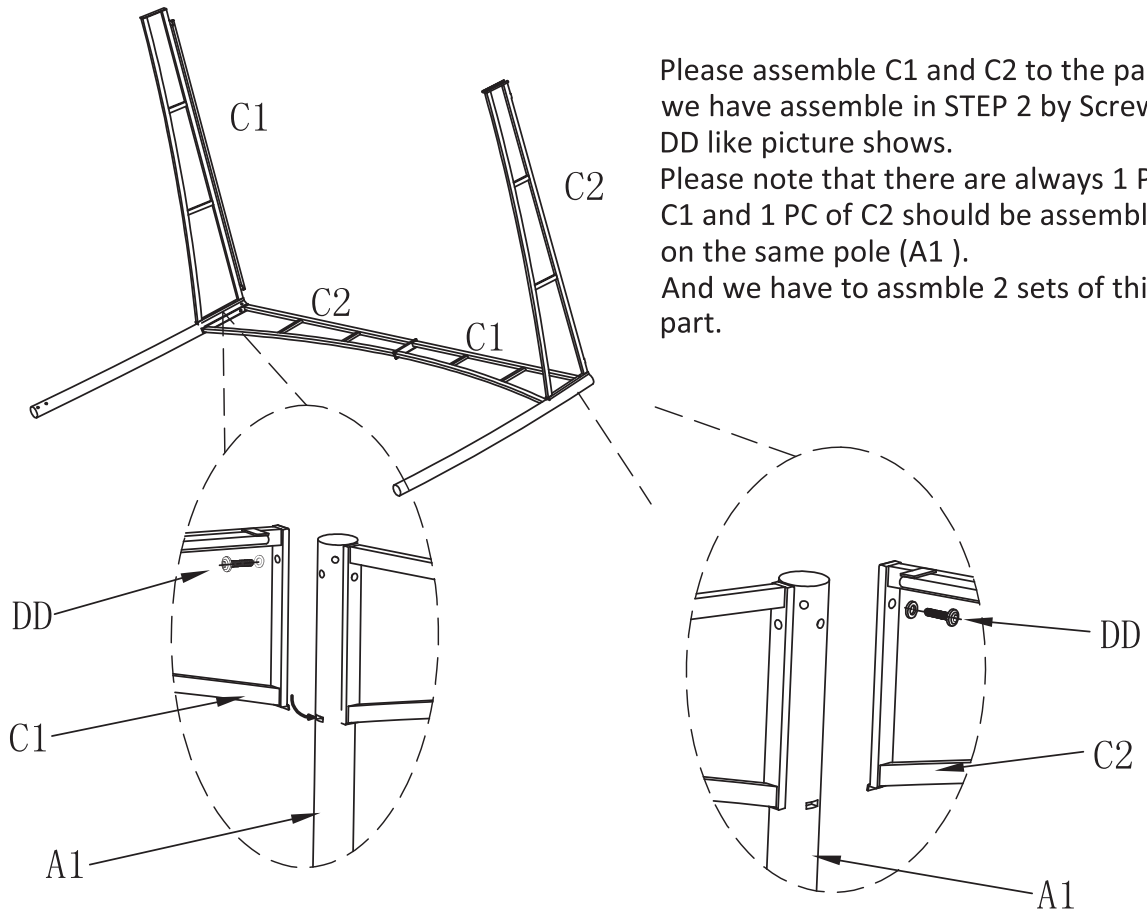
And this assembled part will be the Beams(C1+C2 )of gazebo.

2



Assemble A1 to the Beam (C1+C2) by using Screws DD.  
Please note that the Netting Rod should be Upward when the beam is placed flat on the ground. **(This is very important.)**

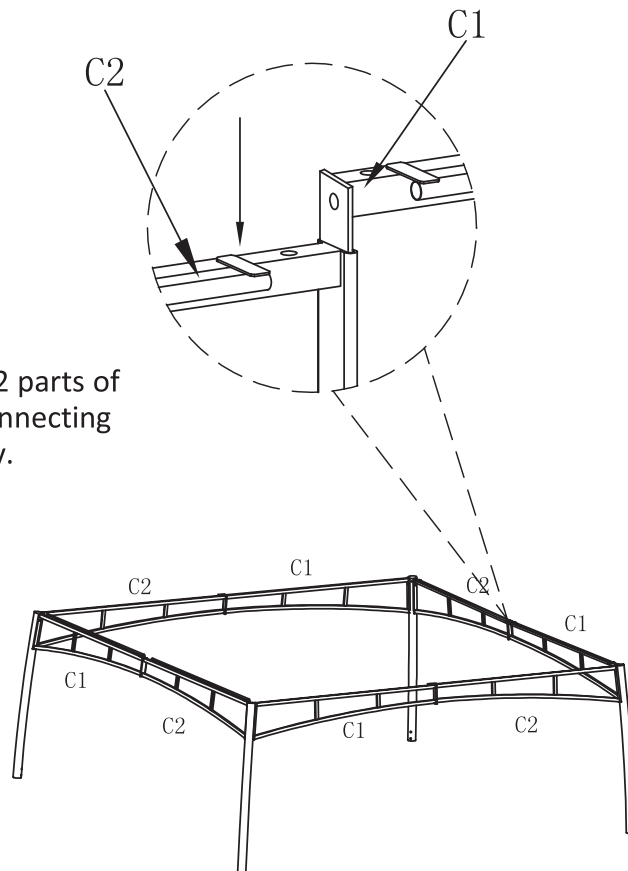
3



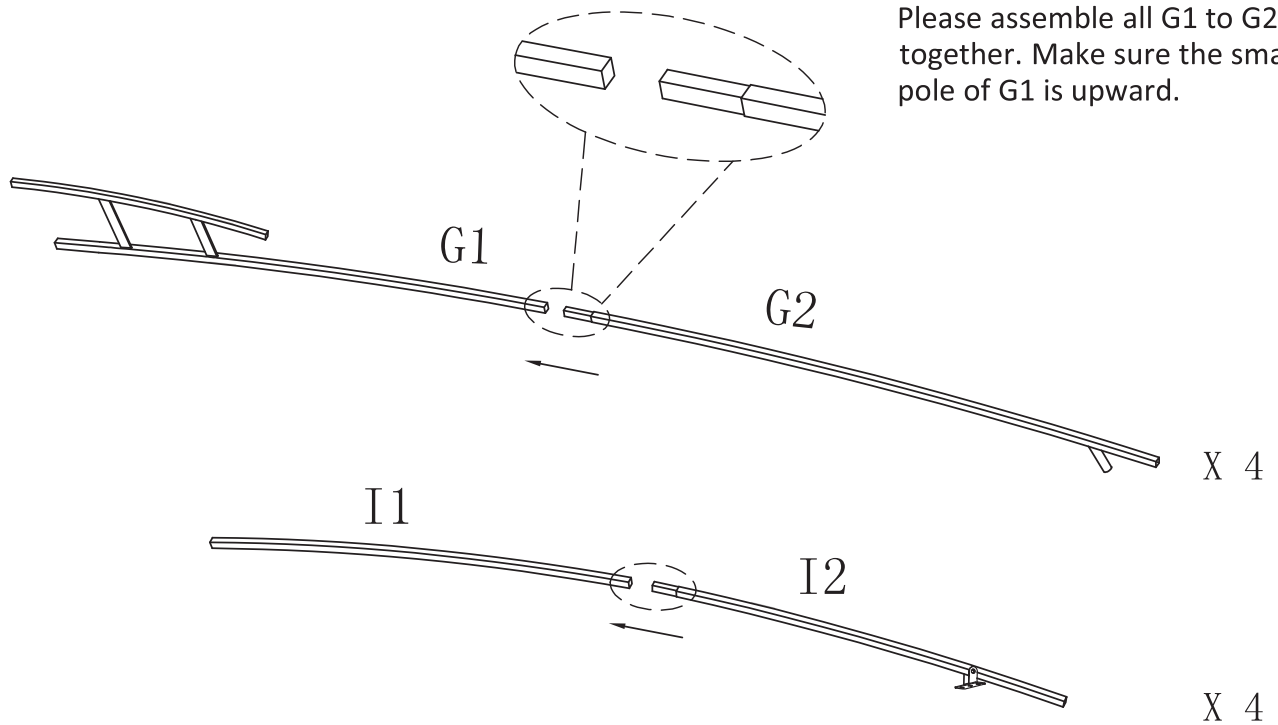
Please assemble C1 and C2 to the part we have assemble in STEP 2 by Screws DD like picture shows.  
Please note that there are always 1 PC of C1 and 1 PC of C2 should be assembled on the same pole (A1 ).  
And we have to assmle 2 sets of this part.

4

Please assemble that 2 parts of STEP 3 together by connecting C1 and C2 respectively.

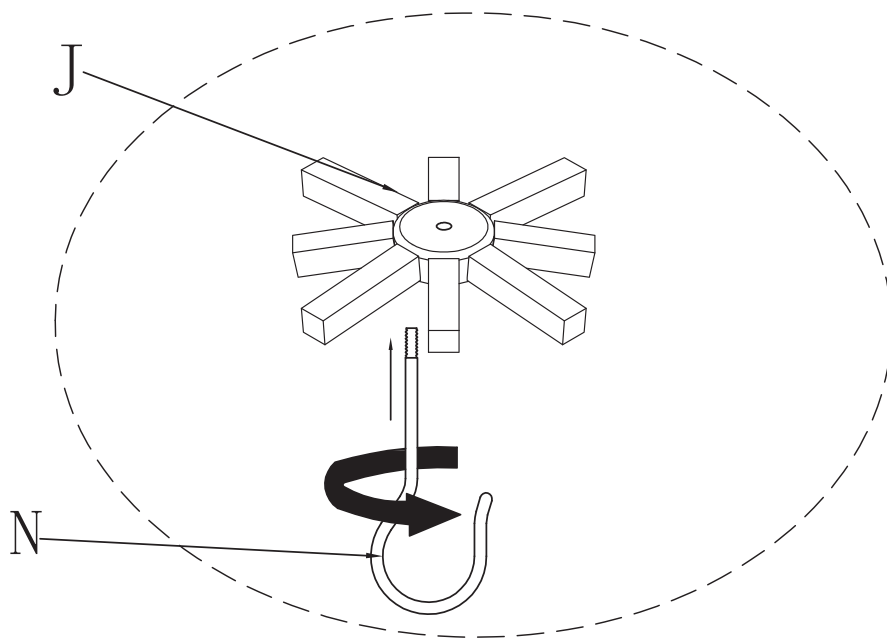


5



Please assemble all I1 to I2 together, it's called Middle pipe jaking.

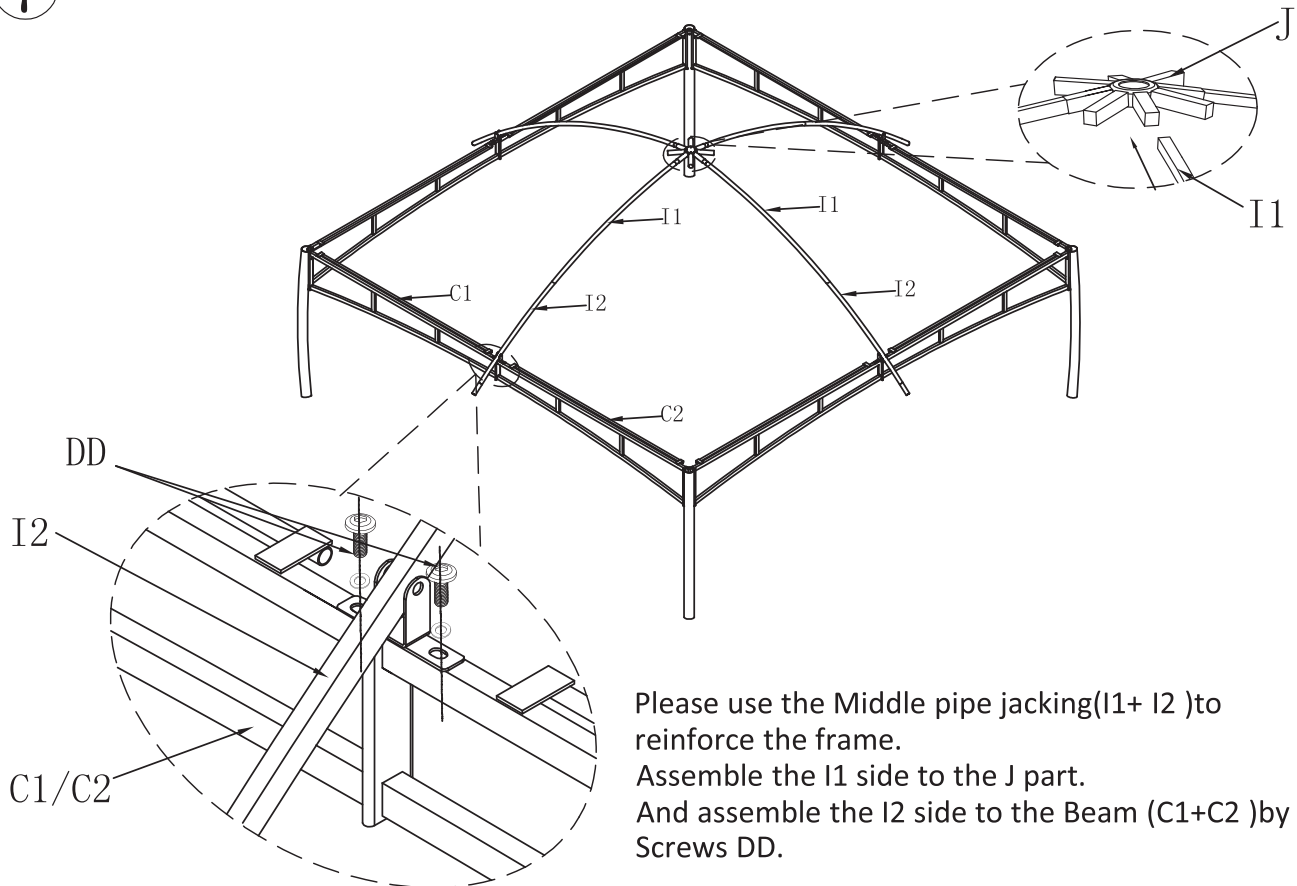
6



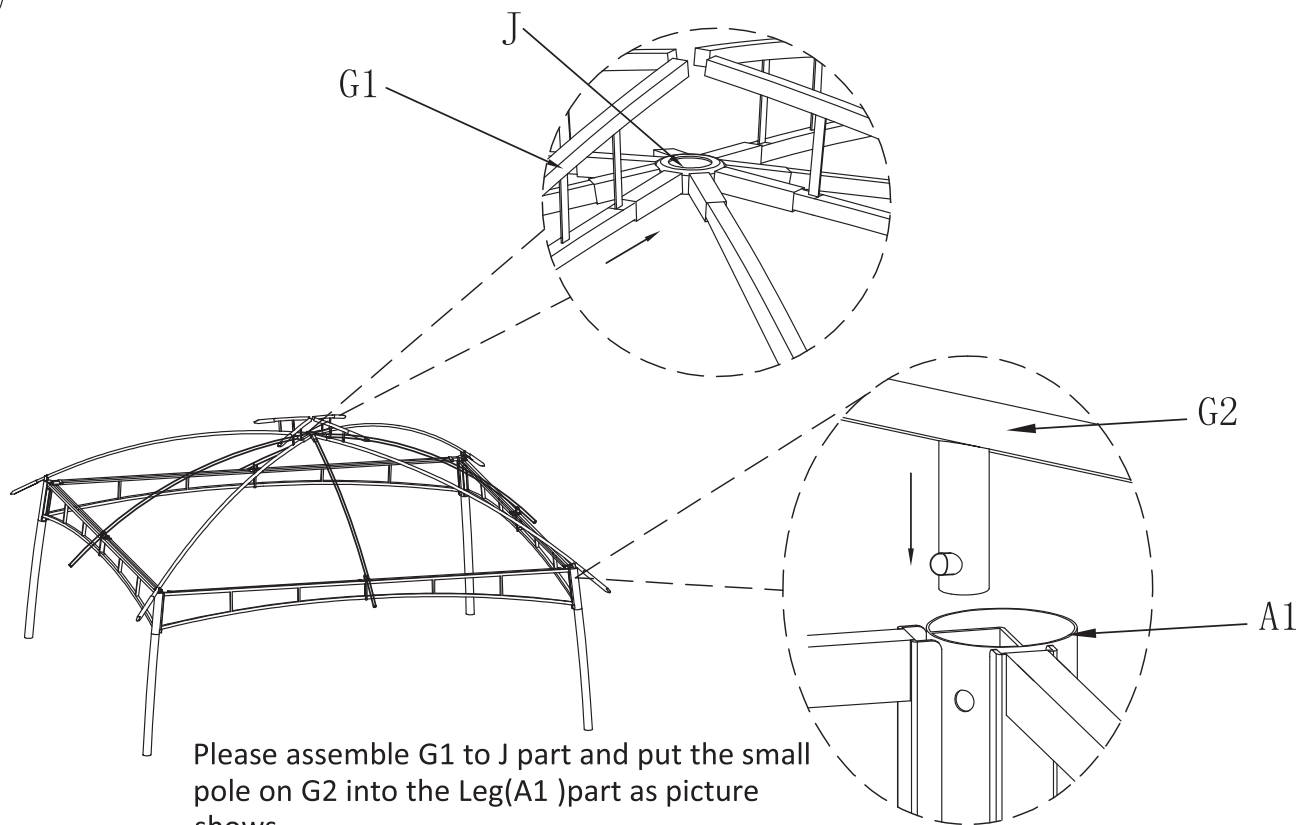
Connecting the Hook(N ) to the Top Connector(J ).

Attention: the Hook(N )should be under the Top Connector(J ).

7

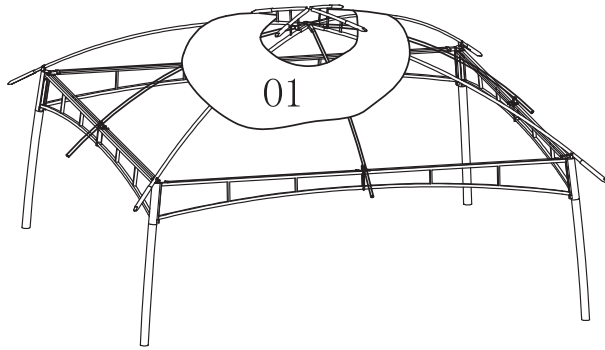


8

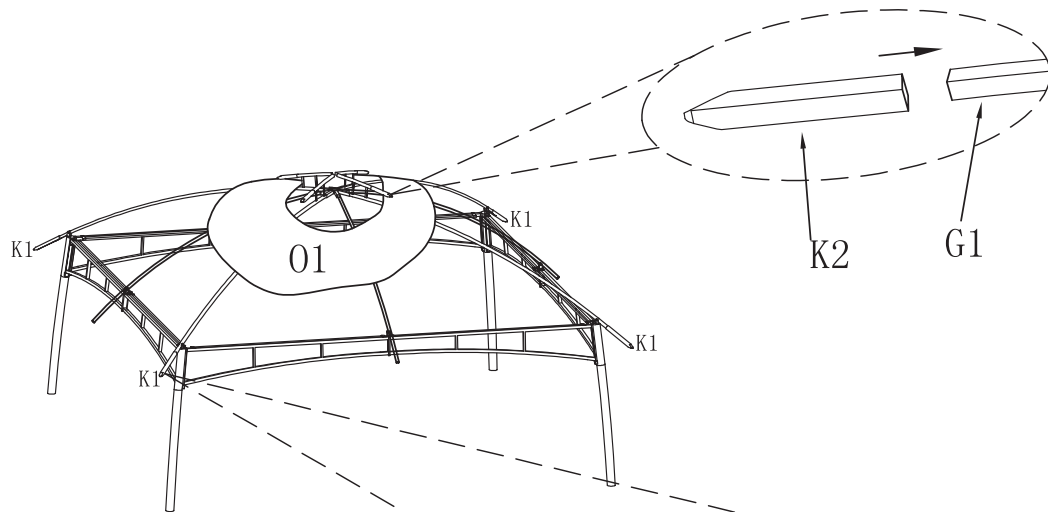


9

Please place the Big Canopy(O1 )onto the frame first but do not fix it.

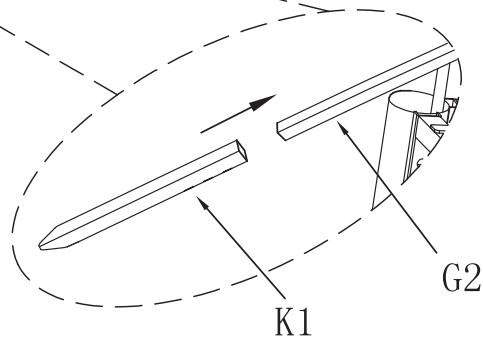


10

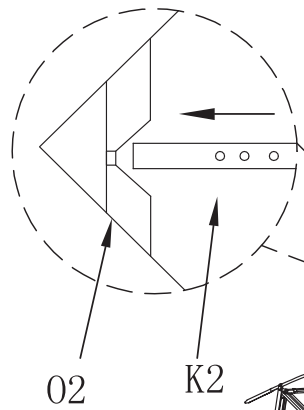


Now we have to assemble K2 into the small part of G1. This is a telescopic tube which will be used for easy assemble of Top canopy roof.

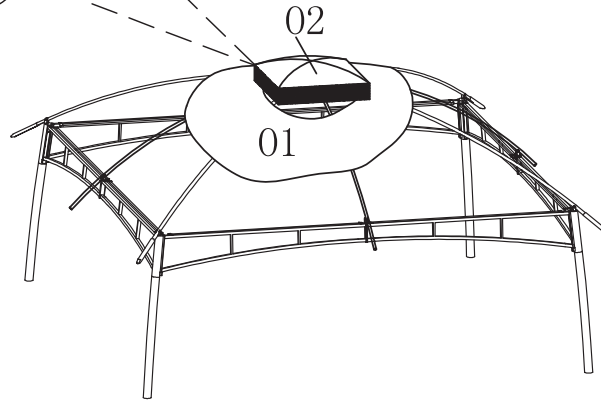
And also please assemble K1 into the end of G2. This is also a telescopic tube.



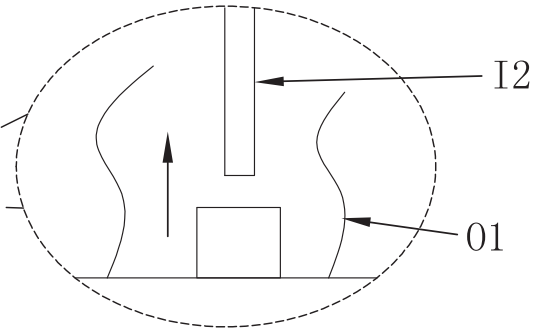
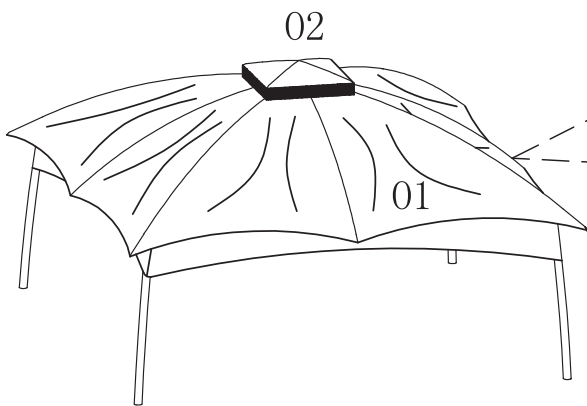
11



Now we have to fix Small canopy(O2 ) on the Skylight tube, please use the telescopic tube(K2 ) to expand the canopy(O2 ) to the maximum.



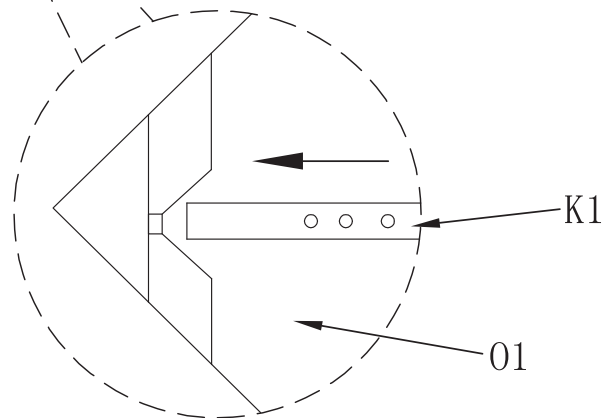
12



Now we have to adjust the position of the top cloth.  
Please use the small pockets in the middle of the canopy's edges to cover the end of pole I2.

And those 4 pockets in the corner should cover the end of 4 telescopic tubes(K1 ).

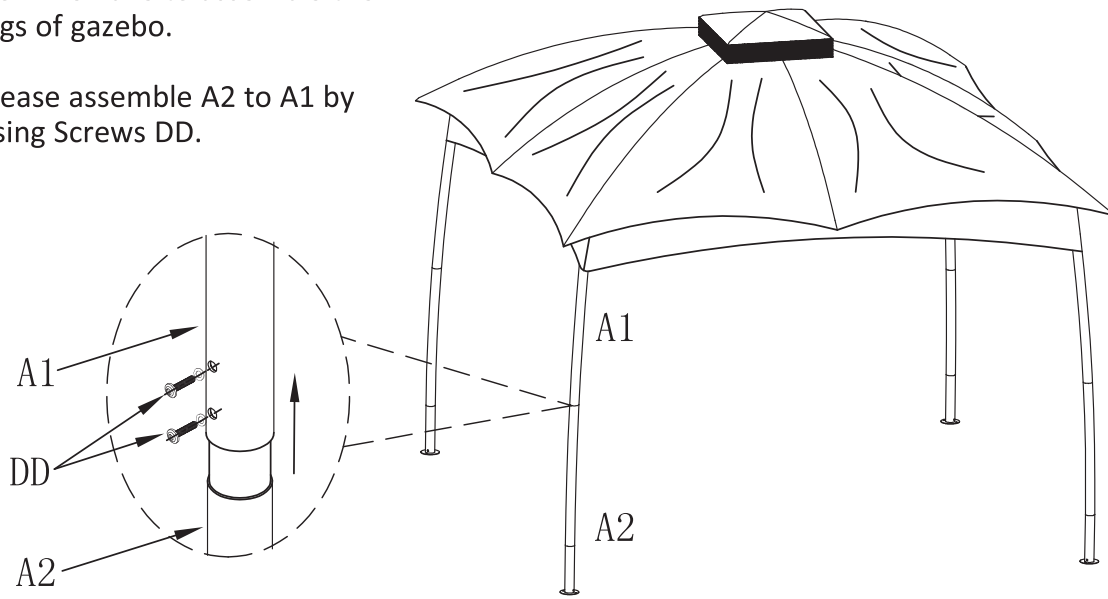
Expand the big canopy(O1 ) to the maximum by using K1.



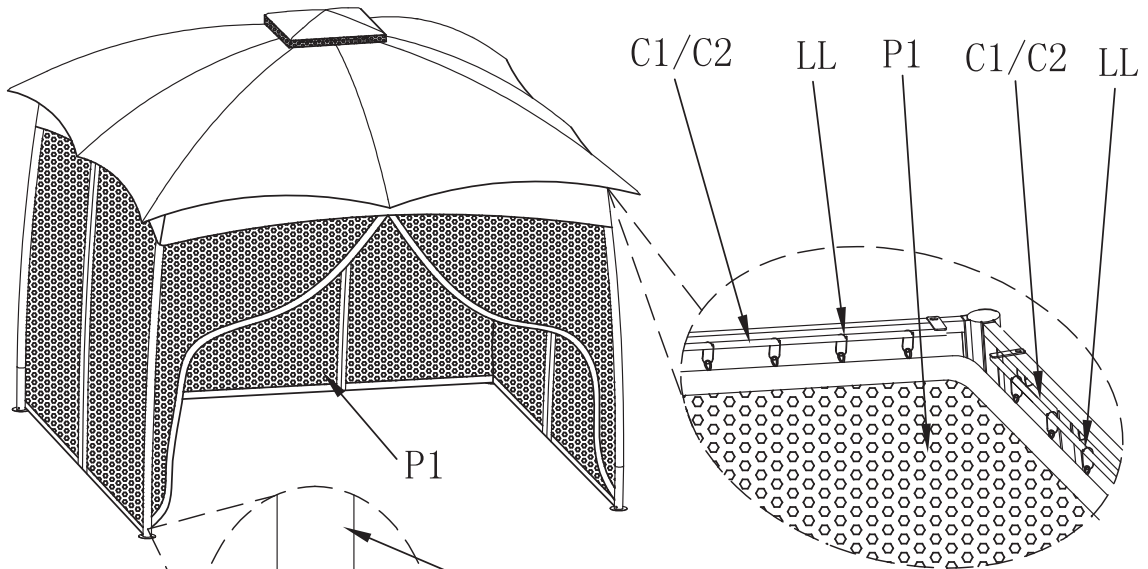
13

Now we have to assemble the 4 legs of gazebo.

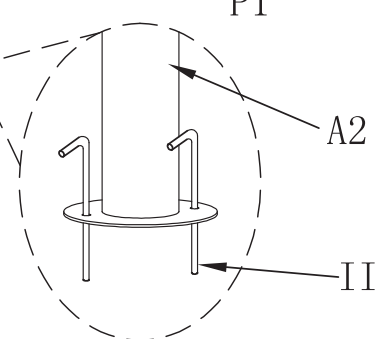
Please assemble A2 to A1 by using Screws DD.



14



Fix gazebo Lower Leg Post(A2) on the ground by Stakes(II).

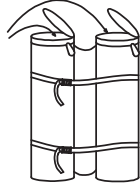


Now we put the netting on the gazebo. Please place O-Rings(LL) on 4 Beams evenly. And then put on the netting by these O-Rings Please note the netting should be on the inside of the Beams.

And then congratulations, the assembly has finished.

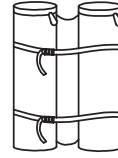
# Sandbag

1



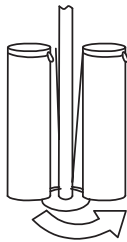
Open the bag and fill it with sand or something else heavy.

2



Zip up the sandbag.

3

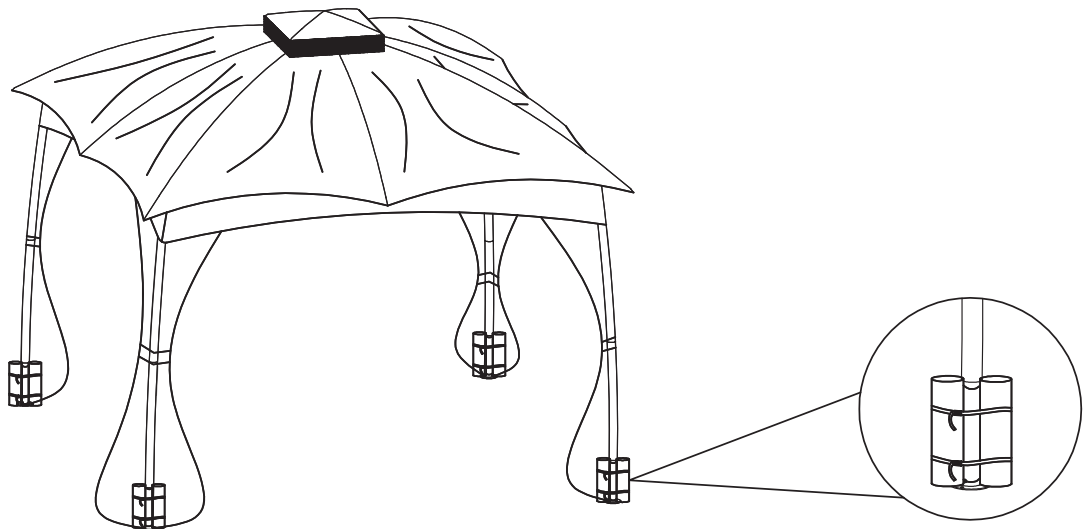


Place the sandbag next to the lower post.

4



Fix the bag to the leg by velcro.



## Care and Maintenance

Our steel components for garden accessories and furniture are treated with rust inhibiting paint that protects it from rusting. However, due to the nature of steel, surface oxidation (rusting) will occur once these protective coatings are scratched. This is not a defect and thus not covered by the warranty.

To minimize this condition, we recommend care when assembling & handling the product to prevent scratching the paint. Should any scratching or damage occur, we recommend immediate touch-up with rust inhibiting paint.

Surface rust can also be easily removed with a very light application of common cooking oil. If surface oxidation (rusting) occurs and if no measure is taken to prevent this, the oxidation may start dripping on to deck or patio and caused damaging stains, which may be difficult to remove. This can be prevented if the above-mentioned measures are taken to keep the product from oxidizing.

Use damp cloth to wipe off the stains as quickly as possible.

If necessary, wash with a mild solution of soap and water; rinse thoroughly and dry completely.

Periodically check and ensure that all bolts are well-tighten during use

# THE WIND SNOW WEATHER



**Please remove the canopy in snowstorm and gale days to avoid unnecessary damage to the gazebo**

**Thanks so much for your purchasing, and hope you will have a pretty good experience both on assembly and daily using.**

**If any questions, please contact us**

**Email: [victorytomUSA@outlook.com](mailto:victorytomUSA@outlook.com)**