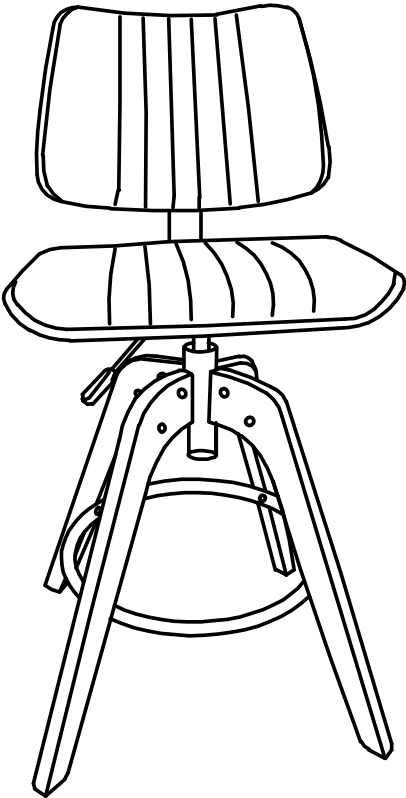


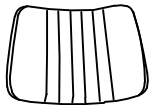
# User Guide



**Bentwood Bar Chair**

# Components

A Backrest(x1)



B Seat(x1)



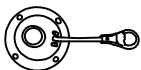
C Legs(x4)



D Footrest ring(x1)



E Gas Lift(x1)



F Central axis(x1)



G Gas Strut(x1)



P Bracket(x1)



H M6x16mm Screw (x8)  
(Spare screws x1)



I M6x18mm Screw (x4)  
(Spare screws x1)



J M6x25mm Screw (x7)  
(Spare screws x1)



K M6x30mm Screw (x4)  
(Spare screws x1)



L M6x18mm Through nut (x8)  
(Spare through nut x1)



M M5 Allen Key(x1)



N M6 Allen Key(x1)



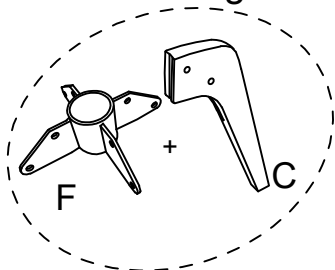
O Felt pads(x4)  
(Spare felt pads x2)



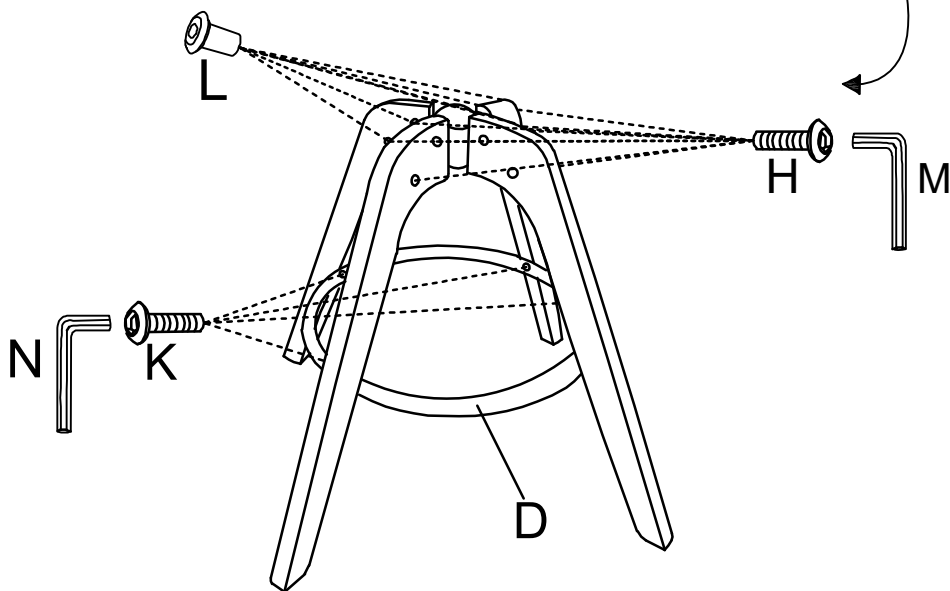
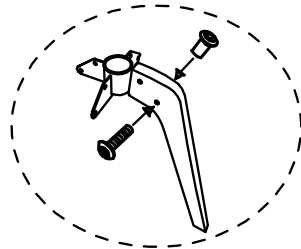
# Assembly

## Step 1

① **Insert** the central axis into the wooden leg.



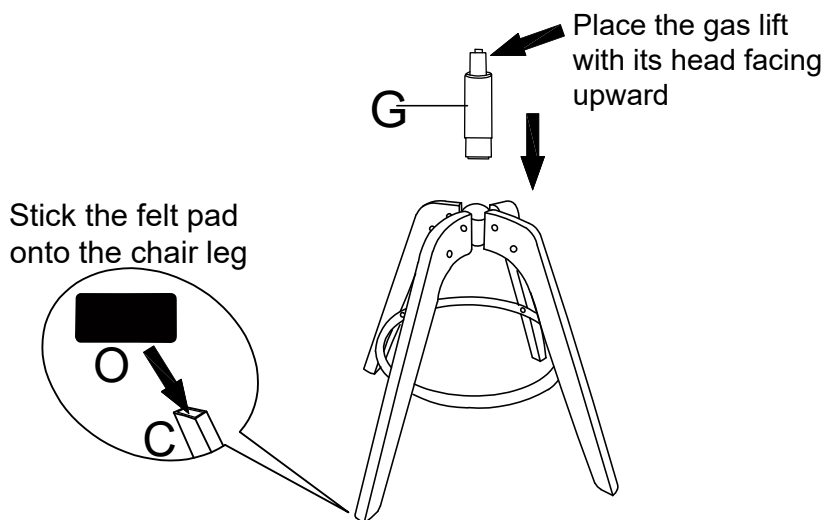
② Tighten the screw to **70%** of its strength.



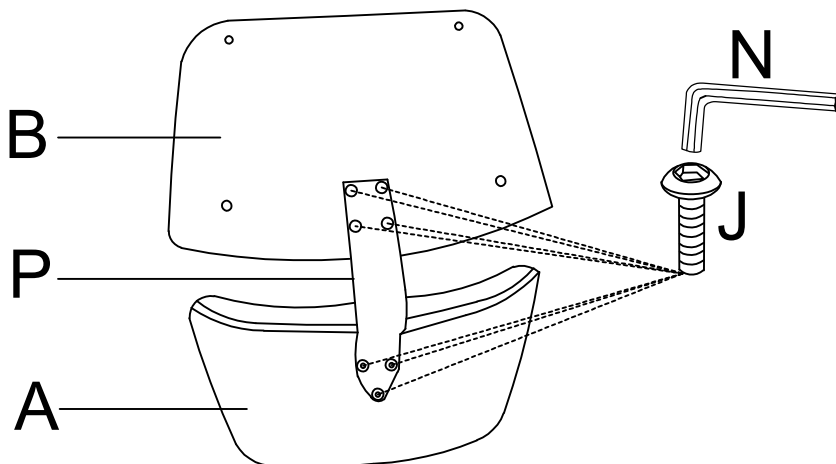
③ Tighten the screws of Component D to **70%**.

④ Tighten **all screws** on the wooden feet and Component D to **100%**.

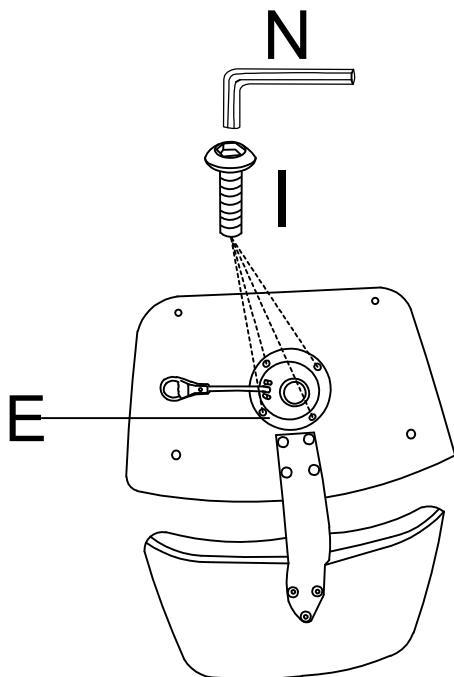
## Step2



## Step3



## Step4



## Step5

