






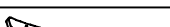




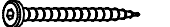




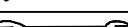



Part List

PIECE	DESCRIPTION	PICTURE	QUANTITY
A	Back		1x
B	Seat		1x
C	Left Arm		1x
D	Left Leg		1x
E	Right Arm		1x
F	Right Leg		1x
G	Support Back		2x
H	Left base leg		1x
K	Right base leg		1x

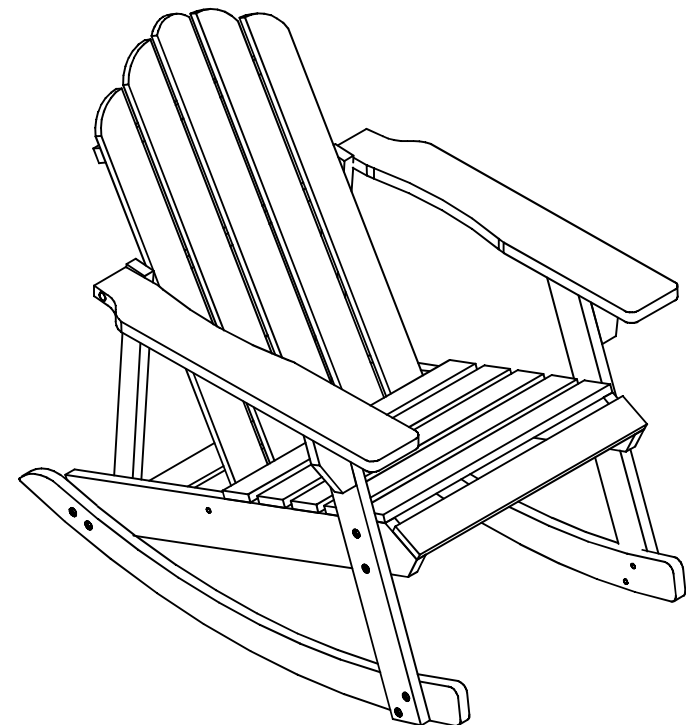
Hardware List

PIECE	DESCRIPTION	PICTURE	QUANTITY
HW1	Bolt and nut	 M6x45	8x
HW2	Bolt & Round nut L	 M6x70	2x
HW3	T Bolt & nut	 M6x45	2x
HW4	Screw L	 M6x60	2x
HW5	Screw S	 M6x30	2x
HW6	Bolt & nut	 M8x50	2x
HW7	Bolt & Round nut S	 M6x30	4x
HW8	Extra bolt	 M6x45	1x
HW9	Allen Key		2x
HW10	Wrench		1x

JY
JONATHAN Y

MODEL# PAT1000


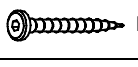
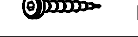
Product Dimension: 37.01" x 26.77"W x 33.46"H

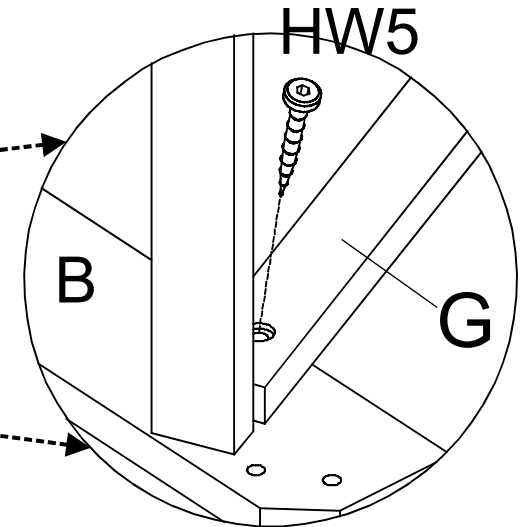
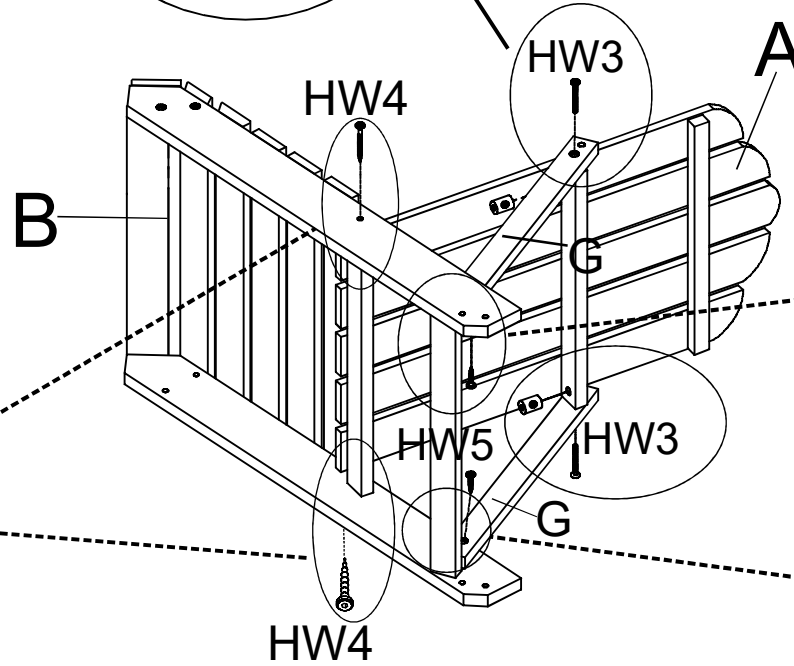
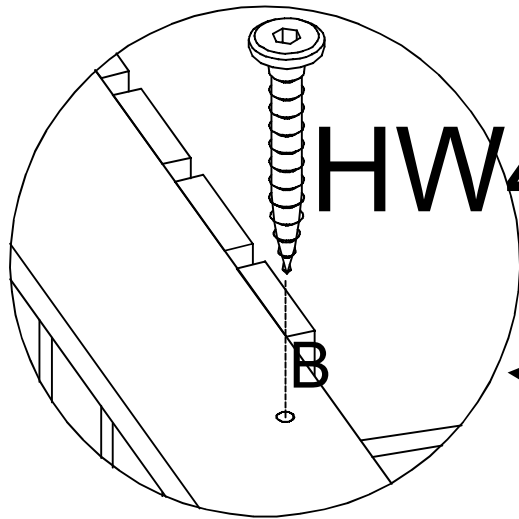
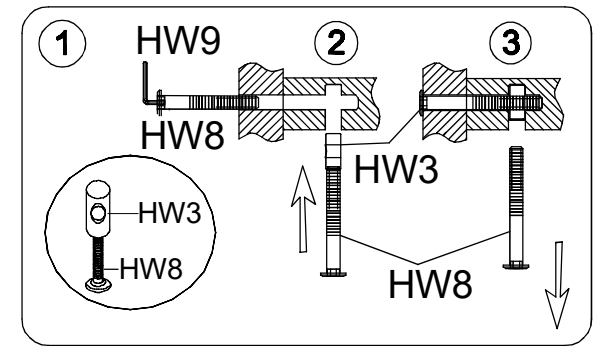
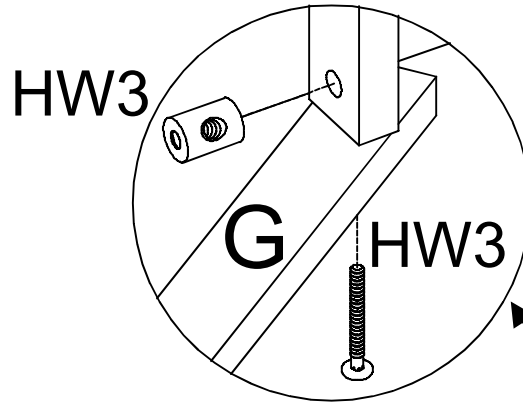


PREPARATION

Tool required for assembly (included): Allen Key .

1

HW3		M6x45	2x
HW4		M6x60	2x
HW5		M6x30	2x



Step 1: Attach the Back (A) ,support back (G) to the Seat (B) as shown in the picture .Using the Screw L (HW4) , T Bolt & nut (HW3) to tighten both side by the Allen key (HW9) and Extra bolt (HW8) . After that using the Screw S (HW5) to fix the Support back (G) to the Seat (B) both side by using the Allen key (HW9) as shown on the picture.

PREPARATION

Tool required for assembly (included): Allen Key and Wrench.

2

HW1  2x
M6x45

HW9

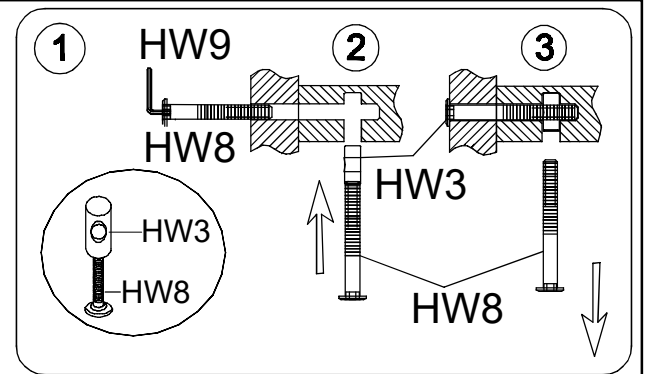
HW1

HW10

D

B

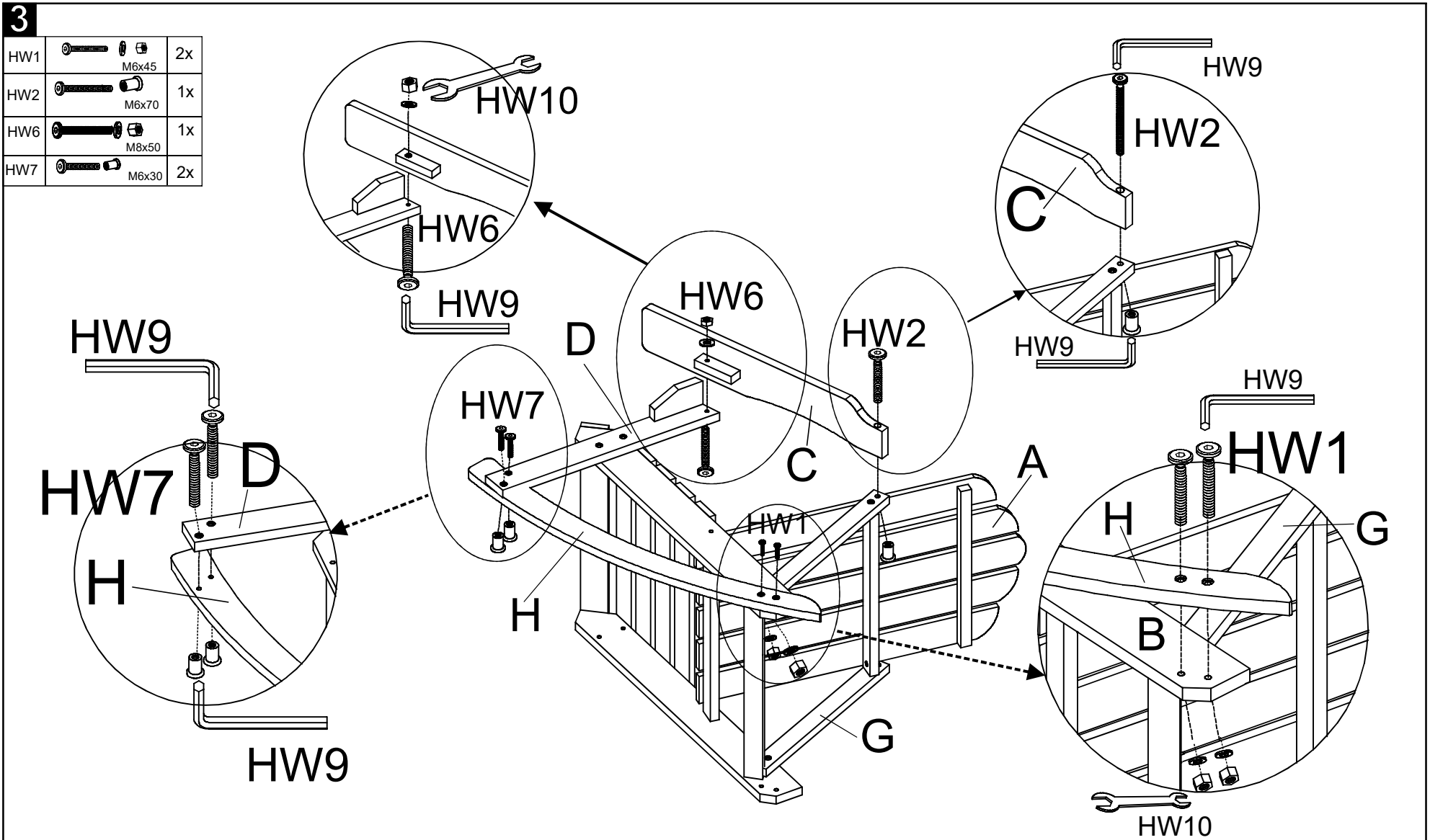
HW1



Step 2: Attach the Left leg (D) to the Seat (B) as shown on the picture. Using the Bolts and nut (HW1) and tighten with the Allen key (HW9) and Wrench (HW10).

PREPARATION

Tool required for assembly (included): Allen Key and Wrench.



Step 3: Attach the Left Arm (C) to the Left leg (D) as shown on the picture. Using the Bolt and round nut L (HW2) fix the Left arm (C) to the Support (G) , then using the Bolt & nut (HW6) tighten to the Leg (D) by the Allen key (HW9) and Wrench (HW10) as shown on the picture. Attach the Left base leg (H) to the chair ,using the Bolt & round nut S (HW7) in the front , the Bolt and nut (HW1) in the back . Tighten it by the Allen key (HW9) and Wrench (HW10) as shown on the pictures.

PREPARATION

Tool required for assembly (included): Allen key .

4

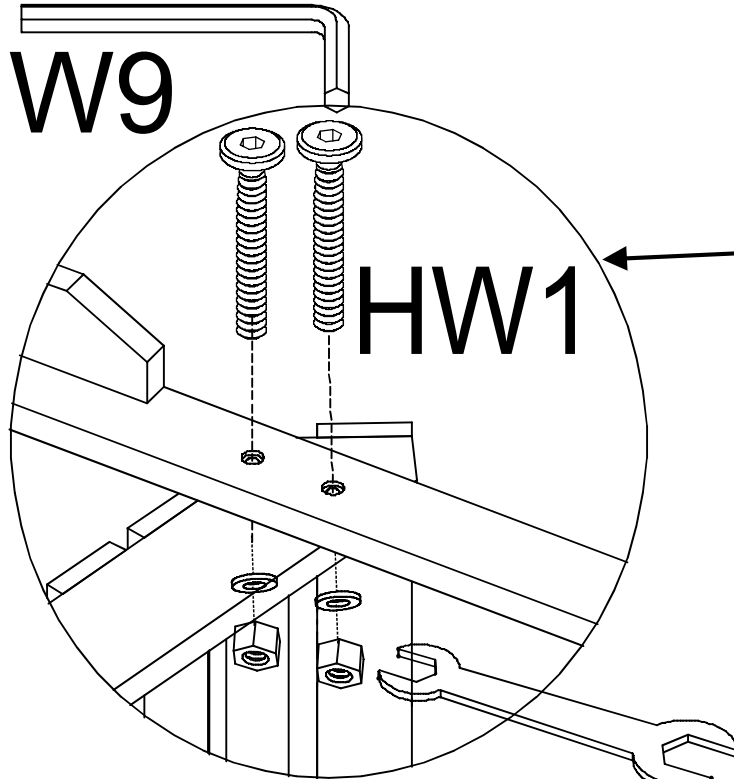
HW1



M6x45

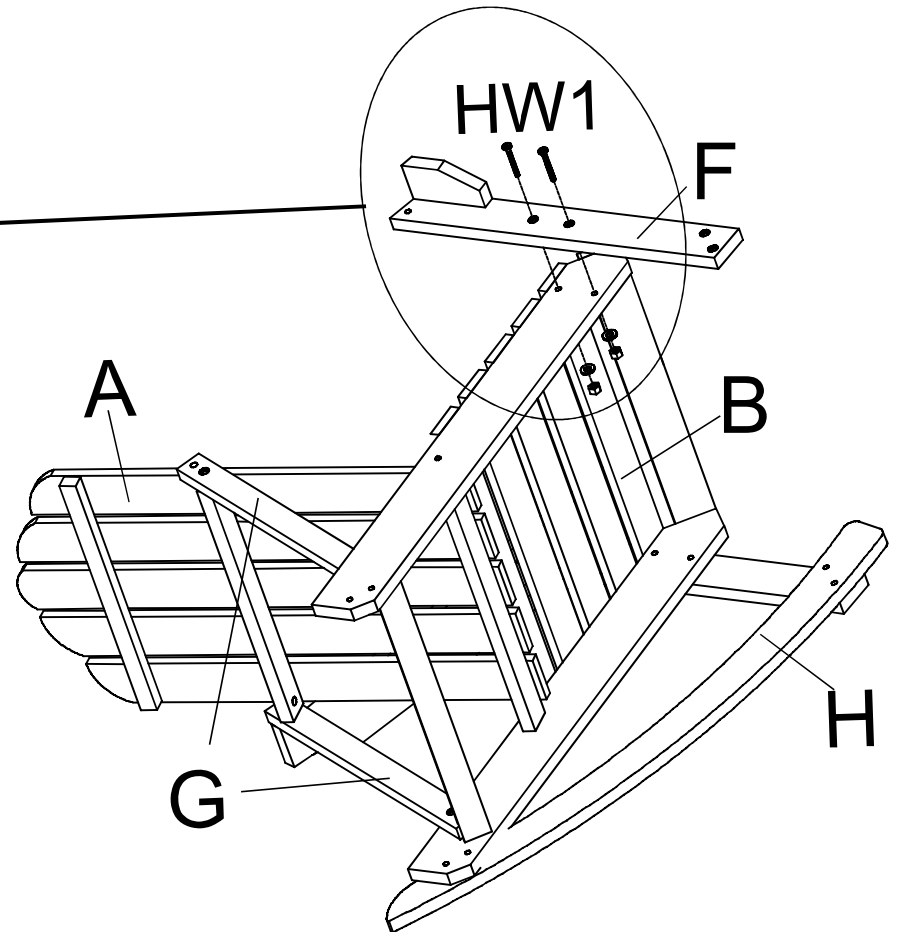
2x

HW9



HW1

HW10



HW1

F

A

B

G





H

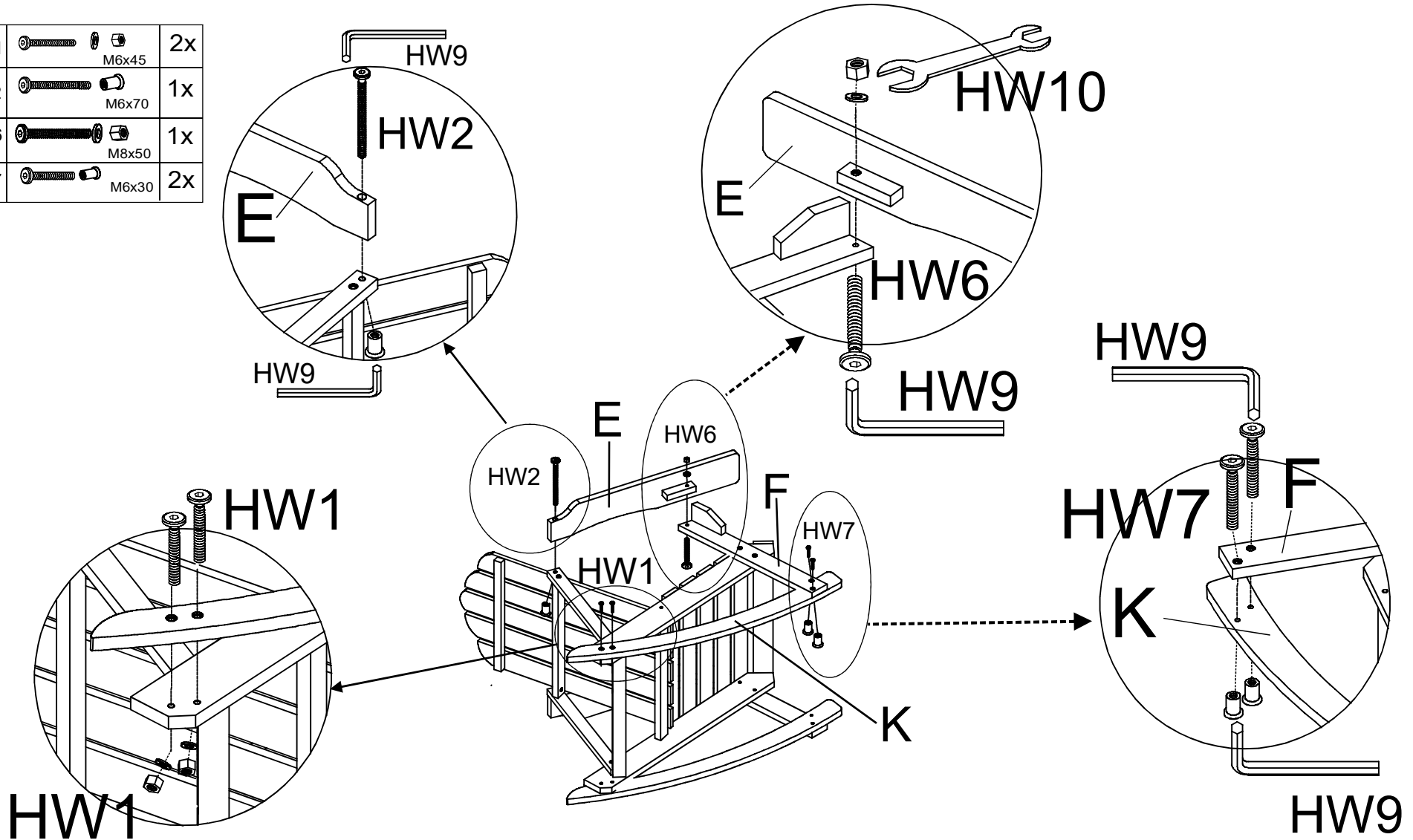
Step 4: attach the Right leg (F) to the Seat (B) as shown on the picture. Using the Bolt and nut (HW1) to tighten by using the Allen key (HW9) and Wrench (HW10) as shown on the picture.

PREPARATION

Tool required for assembly (included): Allen key .

5

HW1		M6x45	2x
HW2		M6x70	1x
HW6		M8x50	1x
HW7		M6x30	2x



Step 5: Attach the Right Arm (E) to the Right leg (F) as shown on the picture . Using the Bolt & round nut L (HW2) fix the Right arm (E) to the Support(G) , then using the Bolt & nut (HW6) tighten to the Leg (F) to fix it by the Allen key (HW9) and Wrench (HW10) as shown on the picture . Attach the Right base leg (K) to the chair and using the Bolt & round nut S (HW7) in the front , the Bolt and nut (HW1) in the back . Tighten it by the Allen key (HW9) and Wrench (HW10) as shown on the pictures. Make sure all Bolts and nuts tighten before using the chair.