

Features

- D-shaped basin.
- With overflow.
- 8-inch centers.
- 19" (483 mm) x 19" (483 mm) x 8" (203 mm)

Material

- Vitreous china.

Installation

- Drop-in.



ADA

Codes/Standards

ASME A112.19.2/CSA B45.1

ADA



ICC/ANSI A117.1

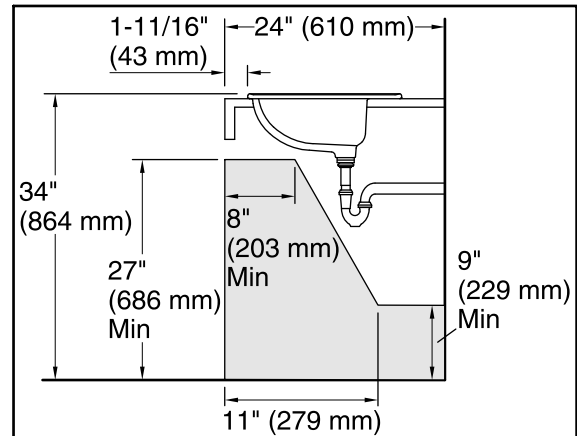
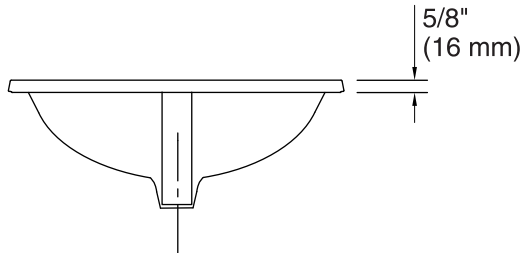
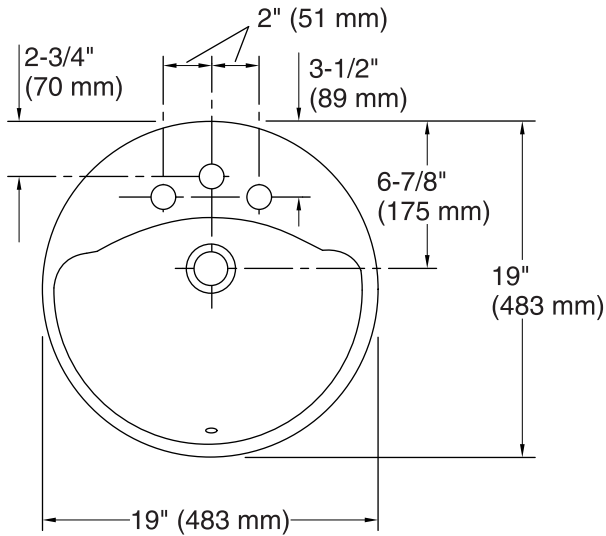
STERLING® Warranty - Toilets and Lavatories

See website for detailed warranty information.

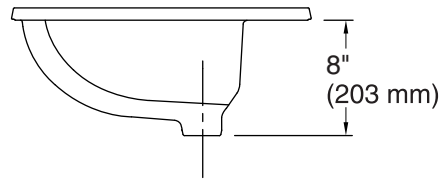
Available Color/Finishes

Color tiles intended for reference only.

Color	Code	Description
	0	White
	96	KOHLER Biscuit



Recommended ADA Installation



Technical Information

All product dimensions are nominal.

- Bowl configuration: Single
- Installation: Drop-in
- Bowl area (Only): Length: 15-3/4" (400 mm)
Width: 12-5/8" (321 mm)
Water depth: 4-7/8" (124 mm)
- Number of deck holes: 3
- Faucet hole(s): 1-3/16" (30 mm)
- Drain hole: 1-3/4" (44 mm)
- Template: 1003766-7, required, included

Notes

- Install this product according to the installation instructions.
- Measure your actual product for roughing-in details.
- ADA compliant when installed to the specific requirements of these regulations.