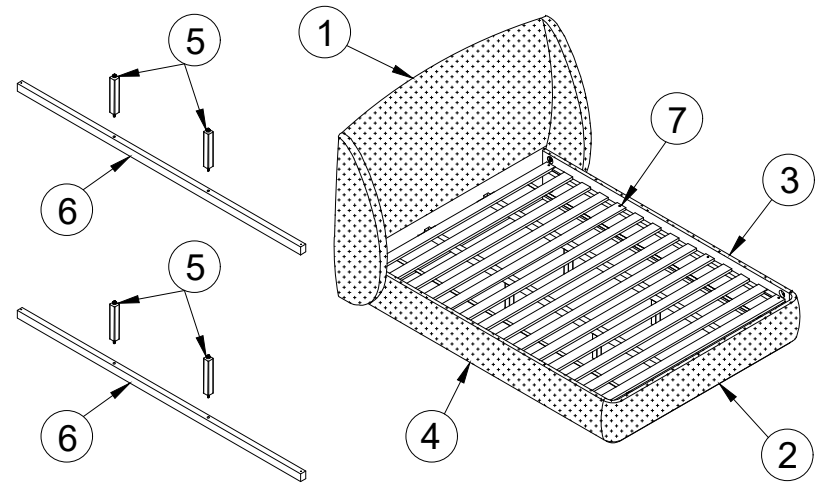
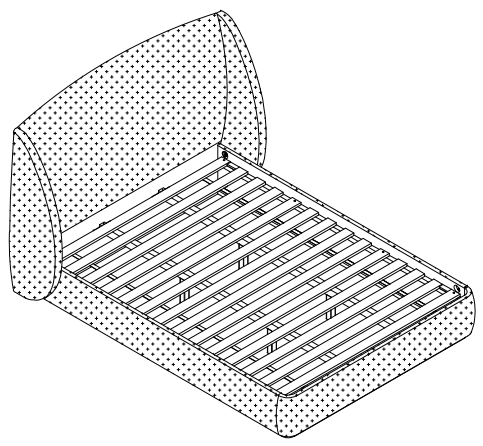
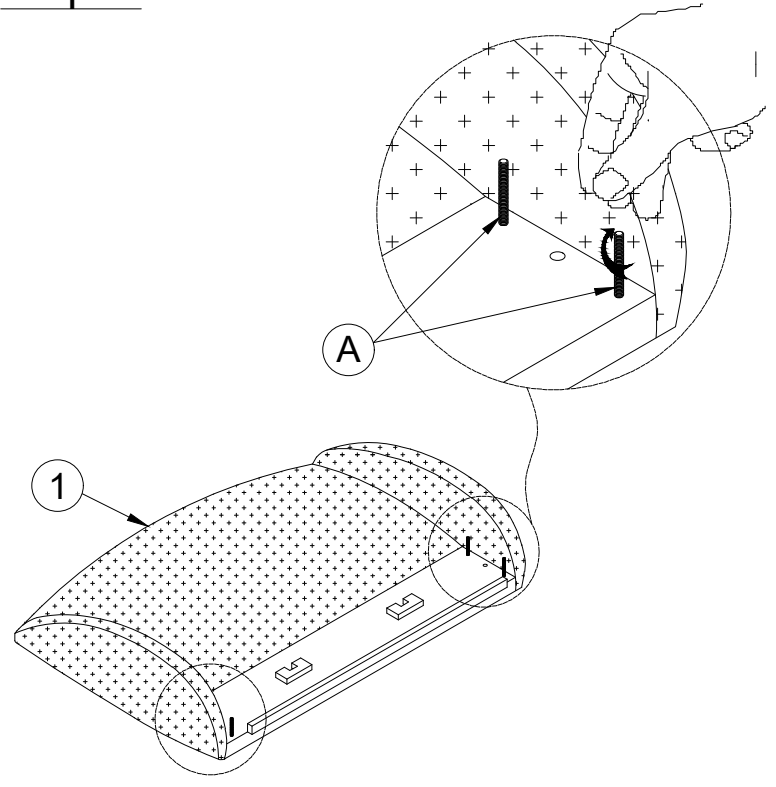


# ASSEMBLY INSTRUCTION MAEVE UPHOLSTERED KING BED

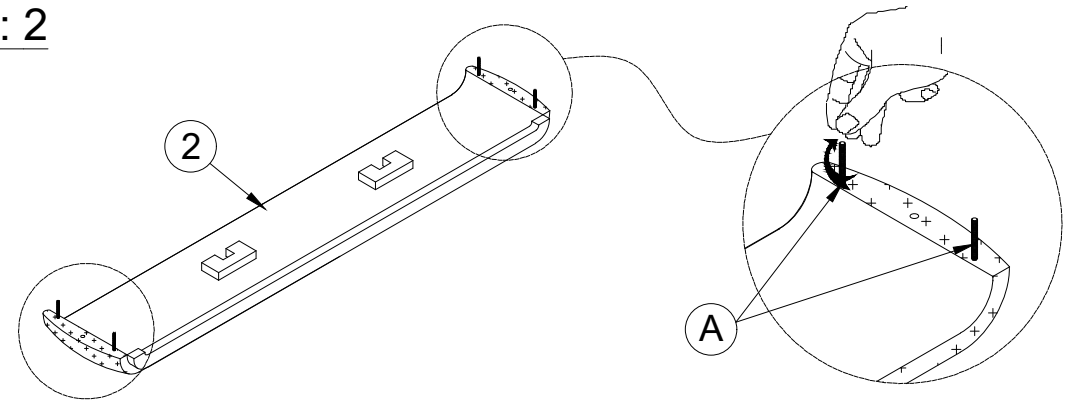


Name of Hardware			
A		Stud Bolts M8 x 80	8
B		Nuts M8	8
C		Lock Washer M8	8
D		Curved Washers	8
E		Long Screw M4x60	4
F		Short Screw M4x30	8
G		Wrench K13	1

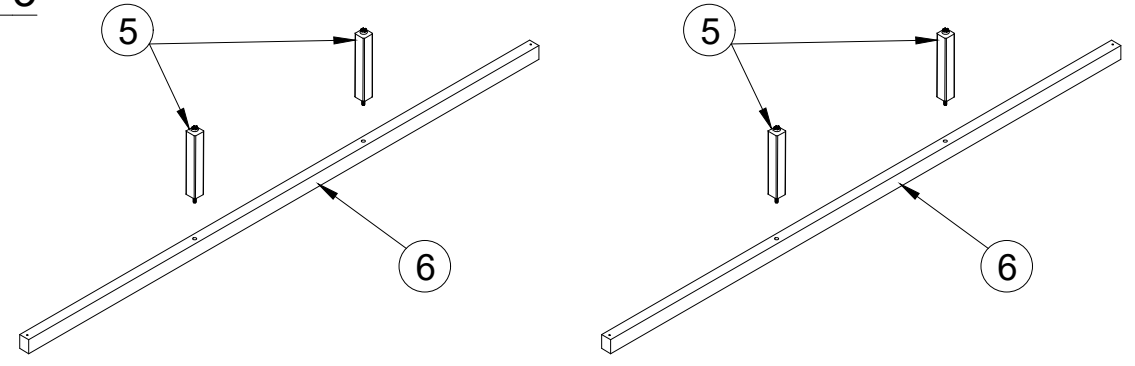
## Step: 1



## Step: 2

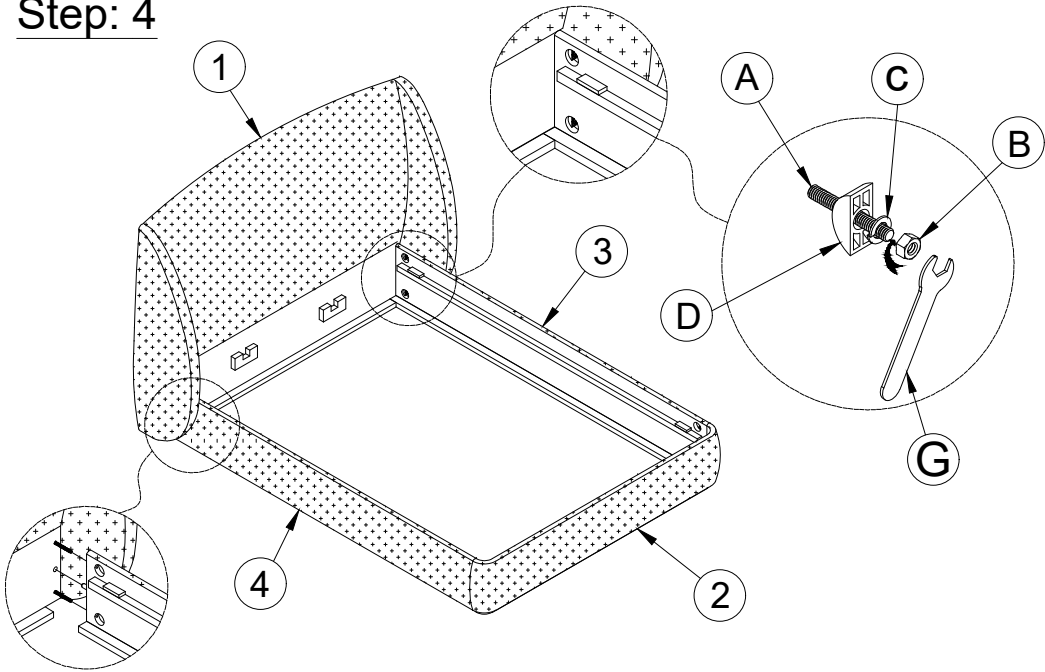


## Step: 3

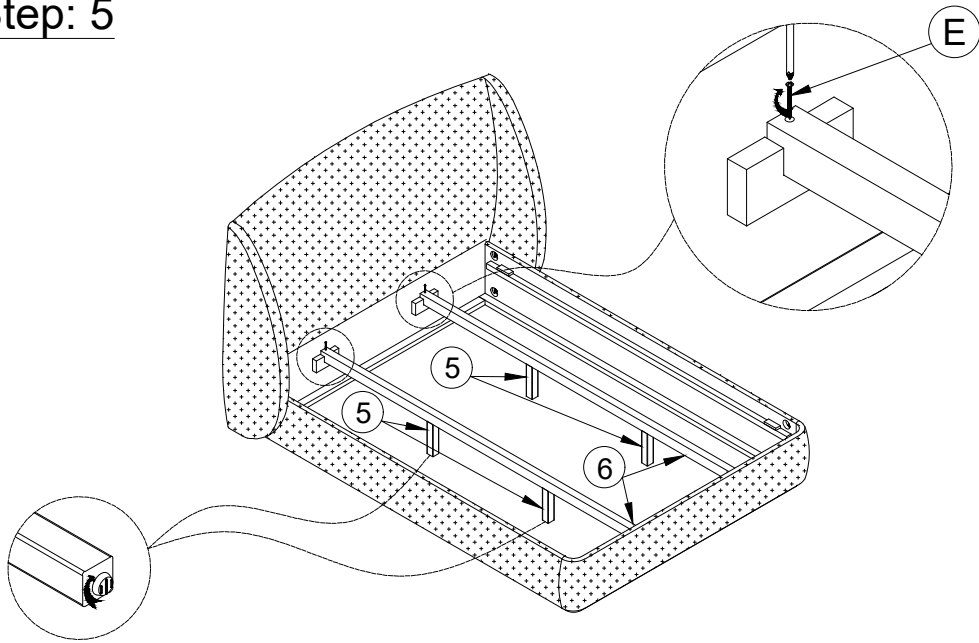


# ASSEMBLY INSTRUCTION MAEVE UPHOLSTERED KING BED

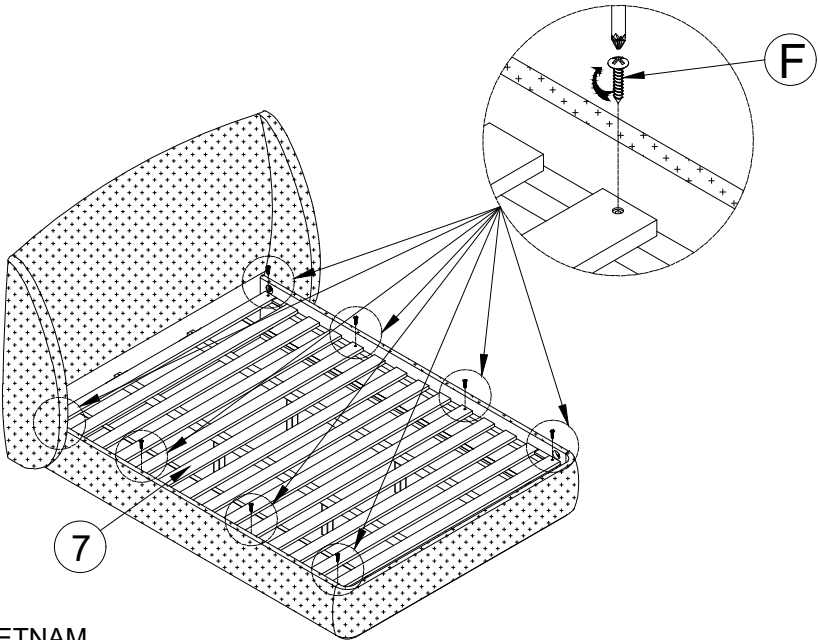
## Step: 4



## Step: 5



## Step: 6



## Step: 7

