

TROUBLESHOOTING

Most problems are simple to resolve - please refer to the following table before calling a service engineer:

Problem	Possible Cause	Check
Fire has stopped working	The fire has overheated and the thermal safety device has activated or a circuit breaker has tripped.	Check there is power to the socket where the fire is connected, check the fuse in the plug, check the main power switch on the unit is turned on and leave for 10 minutes in case of thermal cut-out.
Flame is not moving	Flame motor defective	Contact the retailer or manufacturer.

SERVICING

It is hazardous for anyone, other than a qualified service technician, to carry out any service or repair operation, which involves removal of any components. The lighting for the flame effect is by LED bulbs which are designed to last for the life of the product and are not user replaceable.

WASTE ELECTRICAL RECYCLING

Disposal: Do not dispose this product as unsorted municipal waste. Collection of such waste must be handled separately as special treatment is necessary.



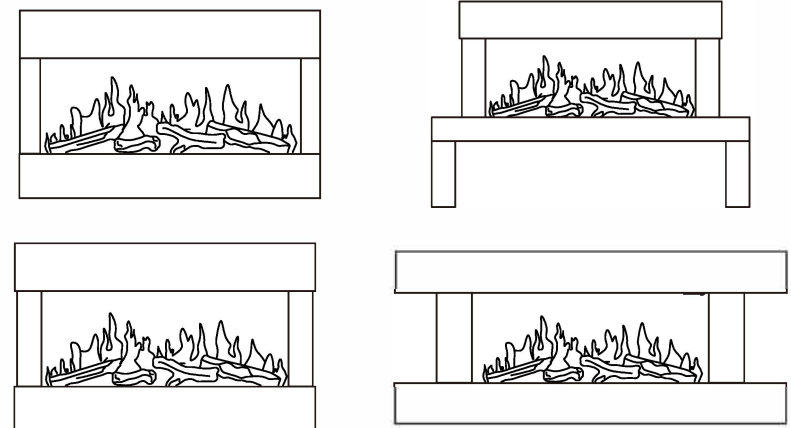
Recycling facilities are now available for all customers at which you can deposit your old electrical products. Customers will be able to take any old electrical equipment to participating civic amenity sites run by their local councils. Please remember that this equipment will be further handled during the recycling process, so please be considerate when depositing your equipment. Please contact the local council for details of your local household waste recycling centres.



ABOUT US

We provide a wide range of high quality, contemporary, classic and stylish home furnitures at the competitable prices. We dedicate to provide leading customer service and great quality products to all of our valued customers.

USER MANUAL



Electric Fire with LED Effect Lights

Thank you for choosing our electric flame effect heater.

This manual aims to improve your understanding of your new heater, please read carefully before use and retain for future reference.

This product is only suitable for well insulated spaces or occasional use.

CONTENTS

	Page
SAFETY INFORMATION	3
MANUAL HANDLING	4
ELECTRICAL SAFETY	5
PARTS SUPPLIED	6
BEFORE USE	6
PRODUCT DIAGRAM	7
INSTALLATION INSTRUCTION	9
OPERATION	10
REMOTE CONTROL	11
DISPLAY	11
CONNECT WIFI	12
CARE AND MAINTENANCE	14
REPLAYING THE BATTERIES	14
TECHNICAL SPECIFICATION	14
TROUBLESHOOTING	16
SERVICING	16
WASTE ELECTRICAL RECYCLING	16

Item	Symbol	Value	Unit	Item	Unit
Heat Output				Type of heat input, for electric storage local space heaters only (select one)	
Nominal heat output	P _{nom}	2.0	kW	manual heat charge control, with integrated thermostat	No
Minimal heat output	P _{min}	1.0	kW	manual heat charge control with room and/or outdoor temperature feedback	No
Maximum continuous heat output	P _{max}	2.0	kW	electronic heat charge control with room and/or outdoor temperature feedback	No
Auxiliary electricity consumption				fan assisted heat output	No
At nominal heat output	e _{lmax}	1.988	kW	Type of heat output/room temperature control (select one)	
At minimum heat output	e _{lmin}	0.990	kW	single stage heat output and no room temperature control	No
In standby mode	e _{lsta}	0.0005	kW	two or more manual stages, no room temperature control	No
				with mechanical thermostat room temperature control	No
				with electronic room temperature control	No
				with electronic room temperature control plus day timer	No
				with electronic room temperature control plus week timer	Yes
				Other control options (multiple selections possible)	
				room temperature control with presence detection	No
				room temperature control, with open window detection	Yes
				with distance control option	Yes
				with adaptive start control	No
				with working time limitation	No
				with black bulb sensor	Yes
Contact Details					

CARE AND MAINTENANCE

Before cleaning the appliance, the power supply should be disconnected and the unit should be allowed to cool.

Dust can be removed by lightly wiping the glass surface with clean, lint free cloth or paper towel. To remove fingerprints or other marks, use a damp cloth with a good quality household glass cleaner. The front glass panel should be completely dried before reusing the heater.

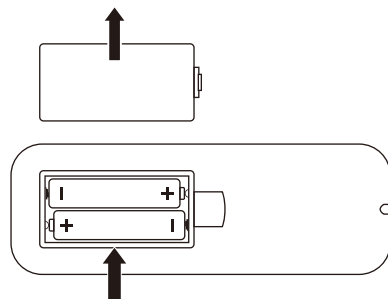
⚠ CAUTION:

- Do not use abrasive cleaner on glass panel.
- Do not spray liquids directly onto any surface of the unit.
- Do not clean the glass on the inside of the unit as this may cause damage to the surface

REPLACING THE BATTERIES

Inserting batteries to the remote control
The remote control requires 2x AAA 1.5 V batteries (not included).

1. Push the tab and flip the battery compartment cover up.
2. Insert the batteries noting the polarities indicated in the battery compartment.
3. Refit the battery compartment cover.



The remote does not contain batteries.

TECHNICAL SPECIFICATION

Description of Product	Electric Wall Hanging Fire				
Rated Voltage	220-240V ~				
Rated Frequency	50/60 Hz				
Rated Power	Max 2000W				
Model	PM0836	PM0838	PM0839	PM1040	PM1105
Dimensions (mm)	1210 (W)	928 (W)	998 (W)	1320(W)	1320(W)
	780 (H)	580 (H)	580 (H)	580(H)	580(H)
	210 (D)	210 (D)	210 (D)	210(D)	210(D)
Net Weight	23.5Kg	19.55Kg	20.5Kg	24.66KG	24.66Kg

SAFETY INFORMATION

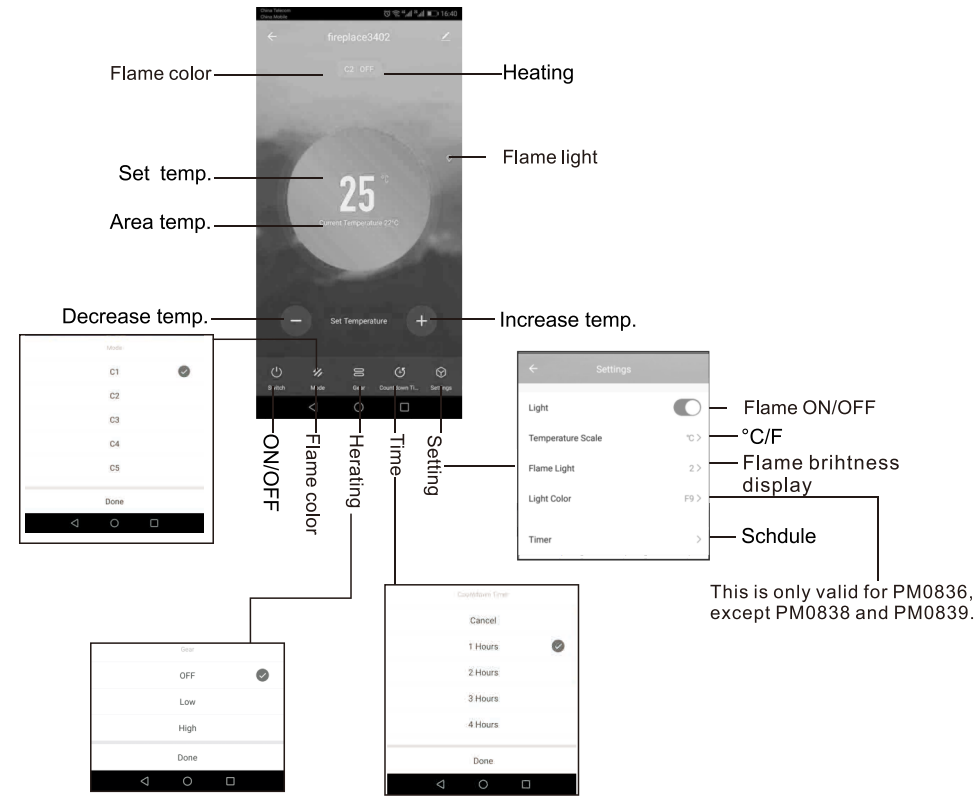
When using electrical appliances, basic safety precautions should always be followed, including the following:

- **IMPORTANT:** Read all instructions and warnings carefully before starting installation. Failure to follow these instructions may result in a possible electric shock or fire hazard and will void the warranty
- Before connecting the appliance, be sure that the mains voltage available matches that specified on the rating plate, and that the outlet is suitably grounded.
- This appliance can be used by children aged from 8 years and above and persons with reduced physical, sensory or mental capabilities or lack of experience and knowledge if they have been given supervision or instruction concerning use of the appliance in a safe way and understand the hazards involved.
- Children aged from 3 years and less than 8 years shall only switch on/off the appliance provided that it has been placed or installed in its intended normal operating position and they have been given supervision or instruction concerning use of the appliance in a safe way and understand the hazards involved. Children aged from 3 years and less than 8 years shall not plug in, regulate, or clean the appliance or perform user maintenance
- Children under 3 years should be kept away unless continuously supervised.
- Some parts of this product can become very hot and cause burns. Particular attention has to be given where children and vulnerable people are present.
- If the supply cord is damaged, it must be replaced by the manufacturer, its service agent or a similarly qualified person in order to avoid a hazard.
- **WARNING:** In order to avoid overheating, do not cover the heater.
- **CAUTION:** In order to avoid a hazard due to the inadvertent resetting of the thermal cut-out, this appliance must not be supplied through an external switching device, such as a timer, or connected to a circuit that is regularly switched on and off by the utility.
- Do not attempt to repair, disassemble or modify the appliance. This unit contains no user-serviceable parts.
- Always unplug or disconnect the appliance from the mains power supply when not in use, or when moving or cleaning it. Do not pull the cord to unplug the heater.
- Keep the heater clean. Do not allow any object to enter the ventilation or exhaust opening as this may cause electric shock, fire, or damage to the heater.
- Do not use the appliance for other than its intended use. It is designed for domestic indoor use only.
- There may be a trace of odour during the first few minutes of initial use, or after a period of storage. This is normal and will quickly disappear.
- If the glass is damaged, do not use the heater in order to avoid a hazard.
- Avoid the use of an extension cord, as the cord may overheat and cause a risk of fire.
- This fireplace is hot when in use. To avoid burns, do not let bare skin touch any hot surfaces.
- Keep combustible materials, such as furniture, pillows, bedding, papers, clothes and curtains at least 1 metre from the front and sides of this appliance.

- This appliance is designed for indoor use only and is not intended for use in bathrooms, laundry areas and similar indoor locations. Never locate this appliance where it may become exposed to water.
- Do not place this fire directly onto a carpeted surface to avoid discolouration due to the heat.
- Do not run the cord under carpeting. Do not cover the cord with throw rugs, runners or the like. Ensure the cord is kept away from traffic areas, and kept in a position which would not present a trip hazard.
- To disconnect this appliance, Press the On/Off button to turn off, then remove the plug from the outlet.
- This appliance has hot and arching or sparking parts inside. Do not use it in areas where gasoline, paint, or any flammable liquids are used or stored.
- This appliance should not be used as a drying rack for clothing, nor should Christmas stockings or decorations be hung on or near it.
- This electric fire is an instant heat source to warm up a room and is great for visual room ambiance it doesn't necessarily need to be used as a constant or permanent source of heating for the home.
- Clean the fire regularly to prevent the build-up of hairs, dust or lint around the fire, as this may cause the outlet to become blocked.
- Do not use aerosols or steam cleaners on or around the fire.

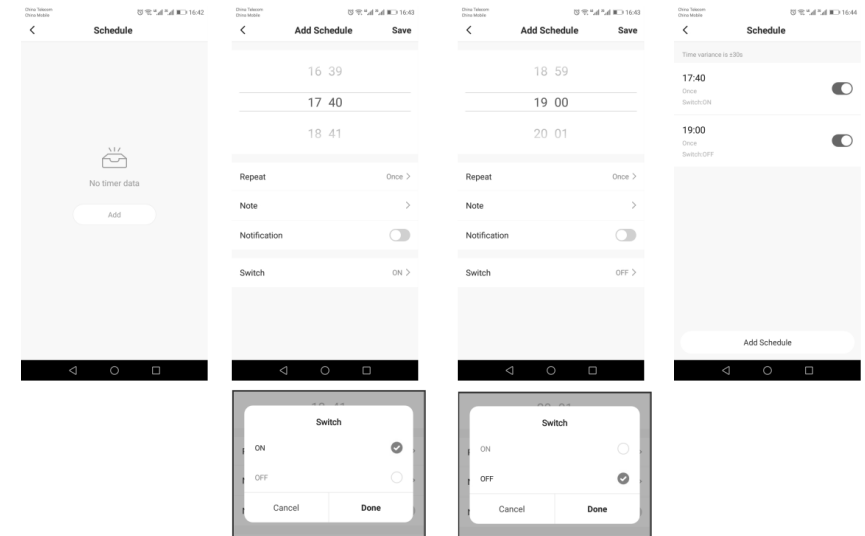
Manual Handling

- The heater must not be moved while in use. Please allow a suitable amount of time for the unit to cool before attempting to move it.
- One person should be sufficient to lift the heater. If for any reason it is considered too heavy then obtain assistance.
- When lifting always keep your back straight. Bend your legs and not your back.
- Avoid twisting at the waist. It is better to reposition your feet.
- Avoid upper body / top heavy bending. Always bend from the knees rather than the waist. Do not lean forward or sideways whilst handling the heater.
- Always grip with the palm of the hand. Do not use the tips of fingers for support.
- Always keep the heater as close to the body as possible. This will minimize the cantilever action.
- If required, use gloves to provide additional grip.
- Always use assistance if required.



This is only valid for PM0836, except PM0838 and PM0839.

Schedule



Connect WIFI

A Install APP

Scan below code, download and install APP



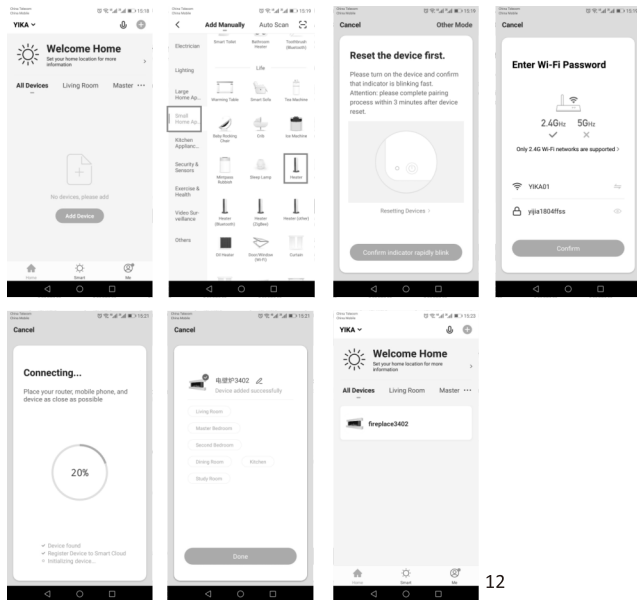
B Install APP

Scan below code, download and install APP



C Connect Heater

Enter app, fill in user detail. Click add device-all devices-heater-confirm connection-enter WIFI password-confirm, then heater is connected. If connect fails, press the Power Button for 3s, reset WIFI and try again .



12

ELECTRICAL SAFETY

The heater must not be located under an electrical socket; the socket must always be accessible in order to disconnect the heater from the electrical supply for maintenance and cleaning.

Important! This heater must be earthed. The mains supply must be safely routed from the heater to an electrical socket.

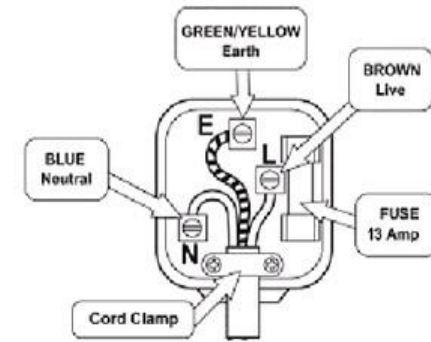
If the supply cord is damaged, it must be replaced by the manufacturer, service agent or a similarly qualified person in order to avoid a hazard.

This appliance is supplied with a BS1363 3 pin plug fitted with a 13 Amp fuse. Should the fuse require replacement, it must be replaced with a fuse rated at **13 Amp** and approved to BS1362.

In the event the mains plug has to be removed or replaced for any reason, please note:

The wires in the mains lead on this appliance are coloured in accordance with the following code:

Green and Yellow - Earth
Blue - Neutral
Brown - Live



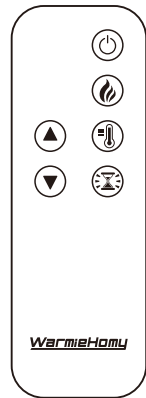
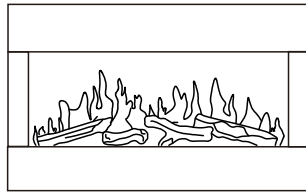
As the colours may not correspond with the markings identifying the terminals in your plug, please proceed as follows.

- The green and yellow wire must be connected to the terminal in the plug which is marked with the letter E or with the earth symbol \perp or coloured green and yellow.
- The blue wire must be connected to the terminal marked N or coloured black.
- The brown wire must be connected to the terminal marked L or coloured red.

Important - any cut off plug should be disposed of safely to prevent a hazard. There is a danger of electric shock if a cut off plug is inserted into a socket outlet.

5

PARTS SUPPLIED



Fireplace

Remote



Screw x 6



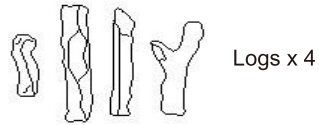
Wall Plug x 6



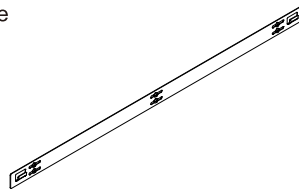
Washer x 6



Pebbles 1.3Kg



Logs x 4

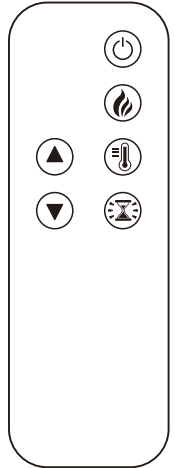


Upper Wall Bracket

Please Note: Some parts are packaged within the cavity of the surround on the rear of the fire.

REMOTE CONTROL

	Power button	<ol style="list-style-type: none"> 1. Press this button to switch the unit on/off 2. In standby state, press and hold down for 3 seconds to reset wifi 3. In the startup state, press and hold for 5 seconds to switch between Fahrenheit and Celsius
	Flame button	<p>To adjust the flame brightness: Press this button once and then adjust the flame brightness using the arrow buttons.</p> <p>To adjust the flame color: Press the flame button twice, then use the Arrow buttons to switch between flame colors (C1-C7).</p>
	Arrow keys	Press these buttons to select between the different heating levels. The level you select is shown on the heat indicator. When the small bar lights up, a low heating level is set. When both bars are lit, a high heating level is set.
	Temperature button	Press this button once and use the arrow buttons to select the desired temperature (18-35°C).
	Time button	You can set 0-9 hours in 1-hour increments. As soon as the time you set has elapsed, the fire will automatically go out. To adjust the you hear a beep and "F1" is displayed on the screen. The press the timer button repeatedly to select one of the colours. Once you reach "F9", the setting mode is exited and the colour selection start again.



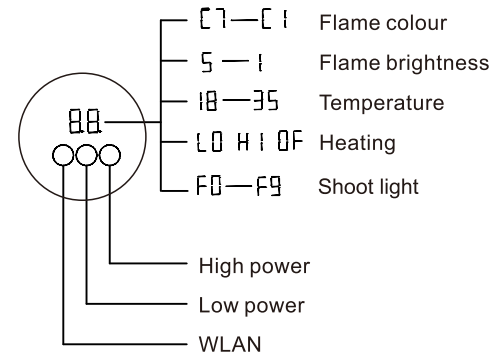
BEFORE USE!

Before using the appliance for the first time, ensure that it has been fully unpacked, and that all packaging has been disposed of properly to ensure it does not present a risk to children or animals.

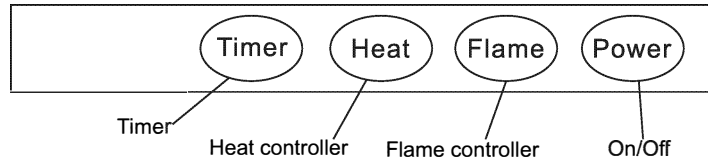


Due to the size and weight of the fire, we would advise on 2 people carrying out installation to prevent injury or damage.

DISPLAY



OPERATION CONTROL PANEL



On/Off

- Press the Power button to switch the unit on/off.
- In standby mode, press and hold the Power button for 3 seconds to reset the wireless network.
- Press and hold the Power button for 5 seconds in standby mode to toggle between Celsius and Fahrenheit.

Flame Controller

- Press the Flame button repeatedly to adjust the flame brightness. There are 5 levels. 5 is the highest level and 1 is the lowest level.
- Press and hold the Flame button for 5 seconds to enter the Flame color setting. Afterwards you can choose between the colours C1
- C7 by pressing several times.

C1 Warm White + Red + Blue	C5 Blue
C2 Warm white + red	C6 Red
C3 Red + Blue	C7 Warm white
C4 Warm white + blue	

Heat Controller

- Press the Heat button repeatedly to select between the different heat levels. The level you select is indicated on the screen by a bar. When the small bar lights up, a low heat level is set. When both bars are lit, a high heat level is set.
- Press and hold the Heat button for 5 seconds to set the desired heating temperature. You can set a temperature between 18 and 35 °C.

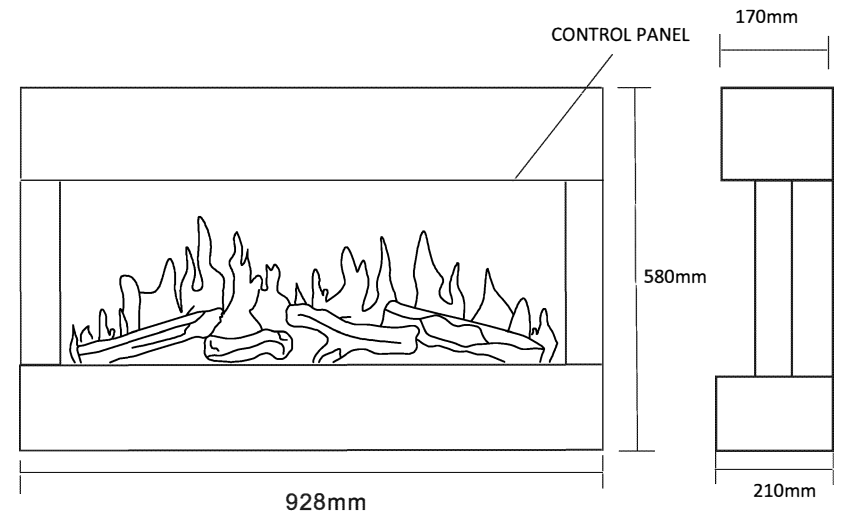
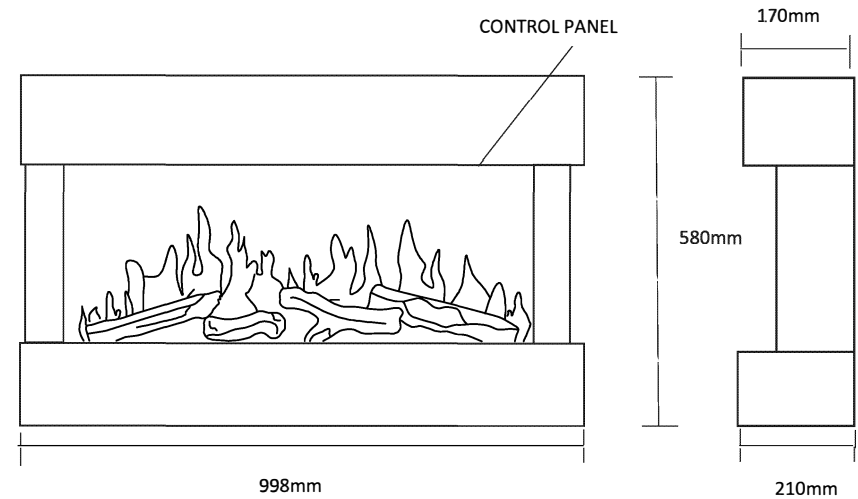
Timer

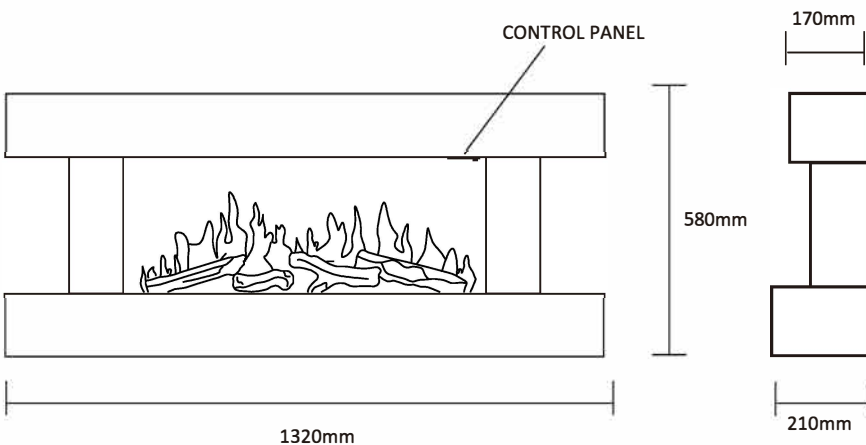
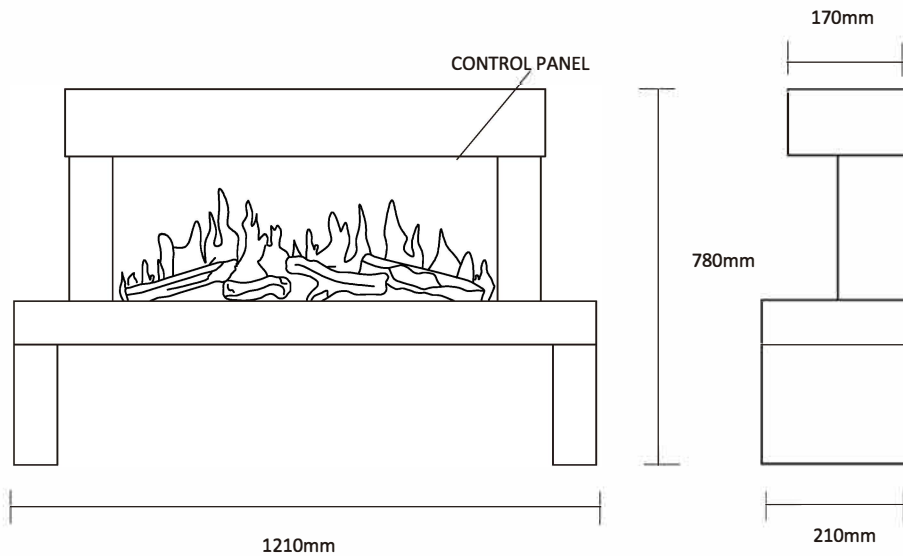
- Press the Timer button several times in standby mode to set a power-on timer. A timer between 0 and 9 hours can be set. Each time the Timer button is pressed, the time is adjusted at 1-hour intervals.
- To adjust the LED backlight, press the Timer button until you hear a beeping sound. "F1" is then displayed on the glass window. A total of 8 background colours can be selected. Press the Timer button briefly to change the colour. As soon as "F9" is reached, the menu is exited and the colours start again when pressed again.

Open window detection

If the room temperature falls below 5 °C within 3 minutes while the unit is operating and does not rise within 7 minutes, the unit automatically assumes that a window is open. To save energy, the heating function is switched off and a warning signal sounds. Alarm "E4" is displayed on the screen.

PRODUCT DIAGRAM

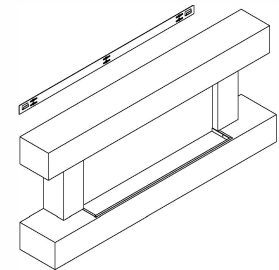
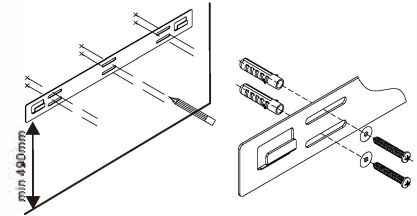




INSTALLATION INSTRUCTIONS

This product is designed to be mounted flat to the wall. Before installation please ensure that the floor and wall are flat, and there is nothing that would prevent the fire fitting flush.

1. The fire is designed to be permanently fixed to a wall with a minimum distance of 300mm between the base of the fire and the floor. A distance of 600mm is recommended for the optimum height on the wall.
2. The upper bracket should be placed against the wall 490mm above the planned position of the base of the fire.
3. While ensuring that the bracket is level (using a spirit level) mark the position of the six screw holes in the wall.
4. Put the bracket to one side, drill the holes marked in step 3 with an 8mm drill bit to a depth of around 35mm.
5. Clean any dust and debris from drilling, and insert a wall plug into each hole, ensuring they are flush with the surface of the wall.
6. Hold the bracket in position and attach to the wall using 6 screws.
7. Two people should carefully lift the fire into position, ensuring the top edge of the fire engages with the bracket.
8. Spread the supplied pebbles / branches (model dependant) in position on the light at the front of the unit.



NOTES:

- The wall plugs supplied are designed for solid walls, and so depending on the type of wall, a different type of plug may be required.
- Before drilling into the wall, you must ensure that there is no pipework or wiring behind the wall which may be damaged during installation.
- The fire must be installed by a competent person, if in any doubt about installation, the suitability of the wall, or wall plugs supplied, professional advice should be sought.