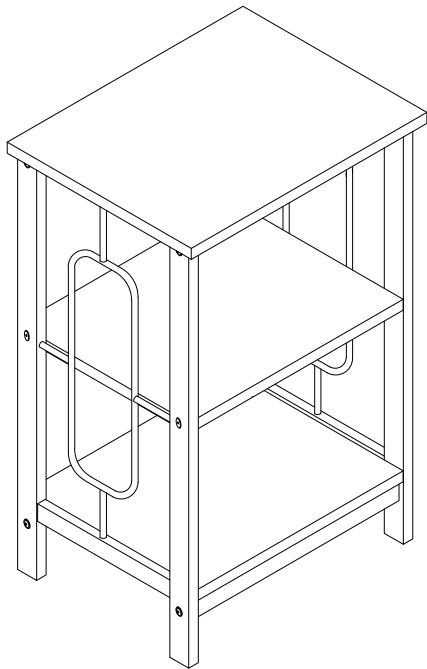


ASSEMBLY INSTRUCTION



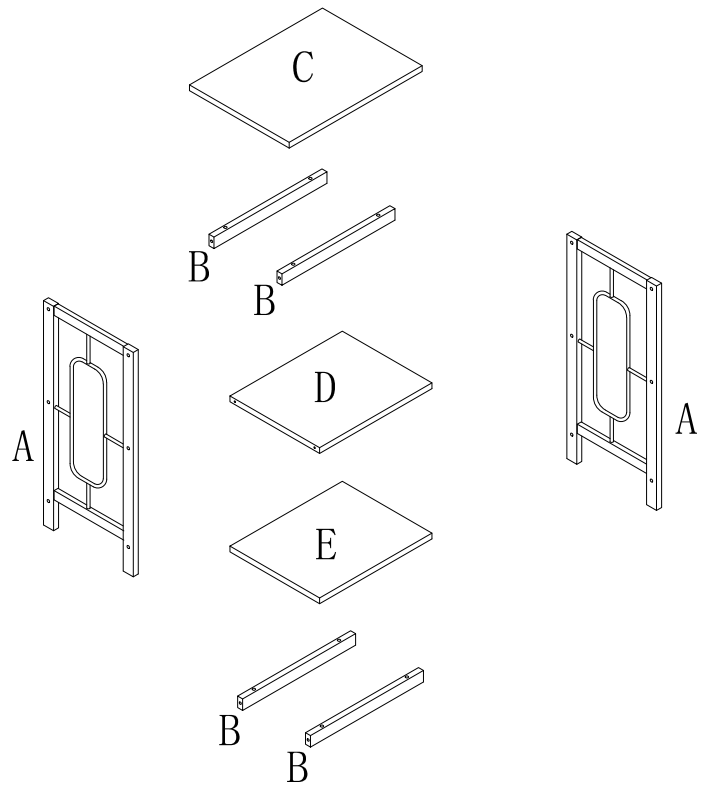
NOTES:

- The item is only intended to be used indoors. The product must be assembled and used in accordance with the provisions of the manual.
- It is recommended that assembly is undertaken by about 2 adults. Please read assembly instructions before assembly and strictly adhere to each step outlined. Estimated assembly time is 30 minutes.

WARNING:

- **WARNING FOR YOUNG CHILDREN** - This product contains small components, please ensure that they are kept away from small children while assembling.

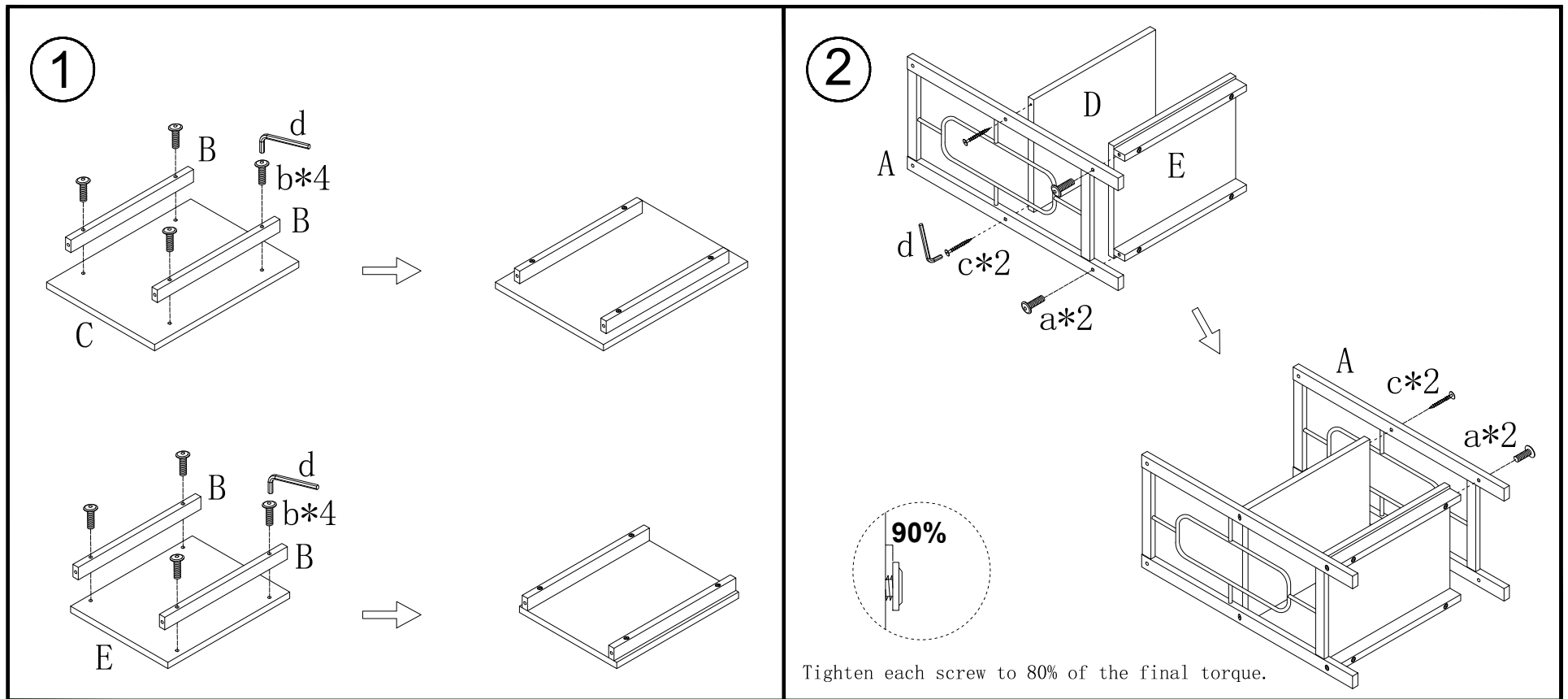
1 PARTS LIST



A	B	C	D	
2pcs	4pcs	1pc	1pc	
E	a	b	c	d
1pc	M6*30 8pcs	M6*40 8pcs	M4.7*50 4pcs	M4 1pc

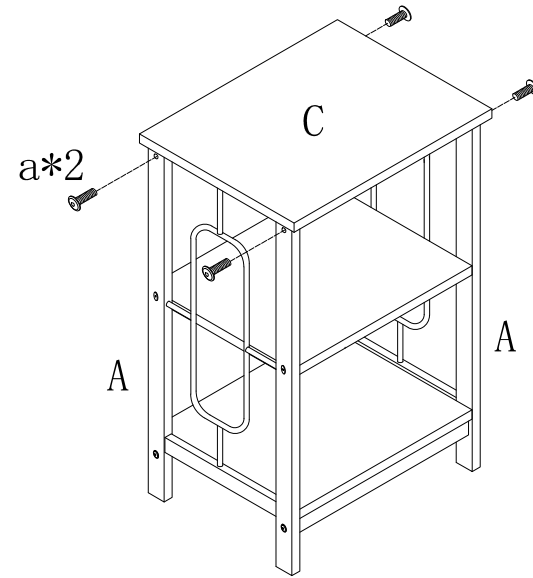
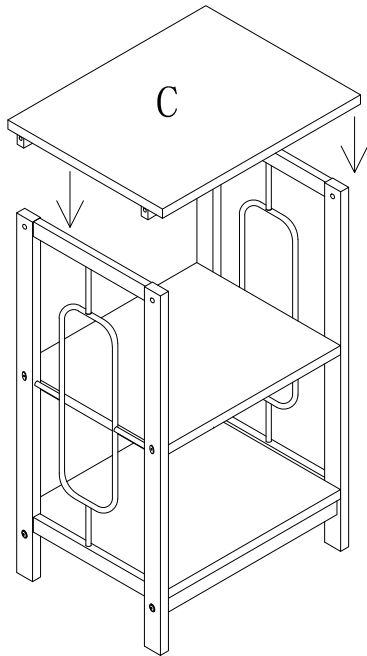
2

NOTE: PLEASE DO NOT TIGHTEN THE BOLTS UNTIL ALL FIXED



3

3



After assembly is completed, Fully tighten step 2 all fixings.

