

ASSEMBLY INSTRUCTIONS

HIGH LOFT BED

FULL SIZE

We hold with high regard your decision to acquire our products and we make it our job to deliver the highest quality and the best furniture solutions to your home. In the unlikely event you notice any damage or parts missing, please, contact our customer service. We will promptly arrange shipment of replacement.



Before assembly, be sure to read the following instructions carefully

Your new furniture is easily assembled. Below you will find our step-by-step suggestions to guide you through assembly in the most effective and careful way.

- Do not get rid of any packing material until the assembly is finished.
- Make sure that the surface on which you will assemble the product is soft in order not to scratch the finish or cause any indentations.
- Separate and place, if possible, all product's assembly hardware in a plastic tube to facilitate identification and count them all to make sure you have received all items.
- Look each wooden part closely to certify yourself that there are no scratches or any unlikely flaws or damages due to shipping or manufacturing. In the event you notice any problem, please contact us, so we can promptly ship any replacement parts or hardware needed.
- You have acquired a solid 100% reforested pinewood furniture which may present natural features such as color variations, knots, and minor cracks, due to the natural grain of the wood. Those features are expected and actually are the beauty of a real solid wood furniture.

Our suggestions for taking good care of your new furniture

- Try not to place your wooden furniture in direct sun light to avoid or minimize damage due to UV rays.
- Try not to place your wooden furniture too close to any heat source such as household heaters.
- Always use a slightly water- wet cloth or furniture polish to clean your wooden furniture. Do not use any alcohol based product in cleaning.

Now you are ready for assembly!

Have fun and enjoy your new furniture!

SAFETY INSTRUCTIONS AND WARNINGS

- Read the information on the warning labels you find on the upper bunk bed headboard and on the carton. Do not remove warning labels from the product.
- Make sure to use the recommended size mattress support in order to prevent falls or entrapment. **DO NOT** use flotation mattress on your bunk bed. The use of flotation mattress is prohibited.
- Make sure that the upper surface of the mattress does not exceed 5 " above the upper edge guardrails.
- **DO NOT** use the bunk bed without having the guardrails fixed on both long sides of the bed. Even if the bunk bed is to be placed against the wall, both guardrails have to be used, placed running the full length of both sides of the bed to prevent any entrapment between the bed and the wall.
- Never attach or hang items such as hooks, belts, jump ropes or the like, to any part of the bunk bed which is not designed for use with the bed. **RISK OF STRANGULATION.**
- Always use the ladder to ascend and descend the upper bunk bed.
- Check, every now and then, if all components are adjusted, and free of damage, making sure that the ladder and guardrails are in position and tightly fixed.
- **DO NOT** use substitute parts. In the event of needing any replacement of parts, contact our customer service to get instructions on how to proceed. (see instructions below *)
- **DO NOT** let children under 6 years of age to use the upper bunk.
- **DO NOT** allow more than one person on the upper bunk.
- **DO NOT** allow jumping or rough playing on the upper bunk or underneath it.
- Before starting assembly, organize all hardware and components taking them out of the box, inspecting if all parts are free of unlikely damage and that there are no missing parts and/or components.
- **DO NOT** dispose of these instructions. Keep them for future reference.

MATTRESS SIZE: for both upper and lower foundation

THE RECOMMENDED MATTRESS SIZE FOR THIS BED: LENGTH - 74" to 75" ; WIDTH- 37- 1/2" TO 38- 1/2". USE THE SUPPORT SLAT SYSTEM ENCLOSED IN THE BOX. THE TOTAL THICKNESS OF THE MATTRESS AND FOUNDATION SHALL NOT EXCEED 8". THE SLEEPING SURFACE OF YOUR MATTRESS MUST BE AT LEAST 5" ABOVE THE EDGE OF THE GUARDRAIL.

* FOR REPLACEMENT PARTS, PLEASE CONTACT US.

INSTRUCTIONS FOR : FULL SIZE HIGH LOFT BED WITH DESK .

BE ADVISED:

Before assembly, read all the instructions and take each step as presented below following the numbering order and descriptions . You may need the help of one or more persons for assembly.

Attention: The numbered and described procedures have been designed to a quality product outcome. Failure to follow the instructions presented below may result in unsteady and not safe furniture. Before using the furniture, inspect if all connections are fasten securely in position.

REQUIRED ASSEMBLY TOOLS:

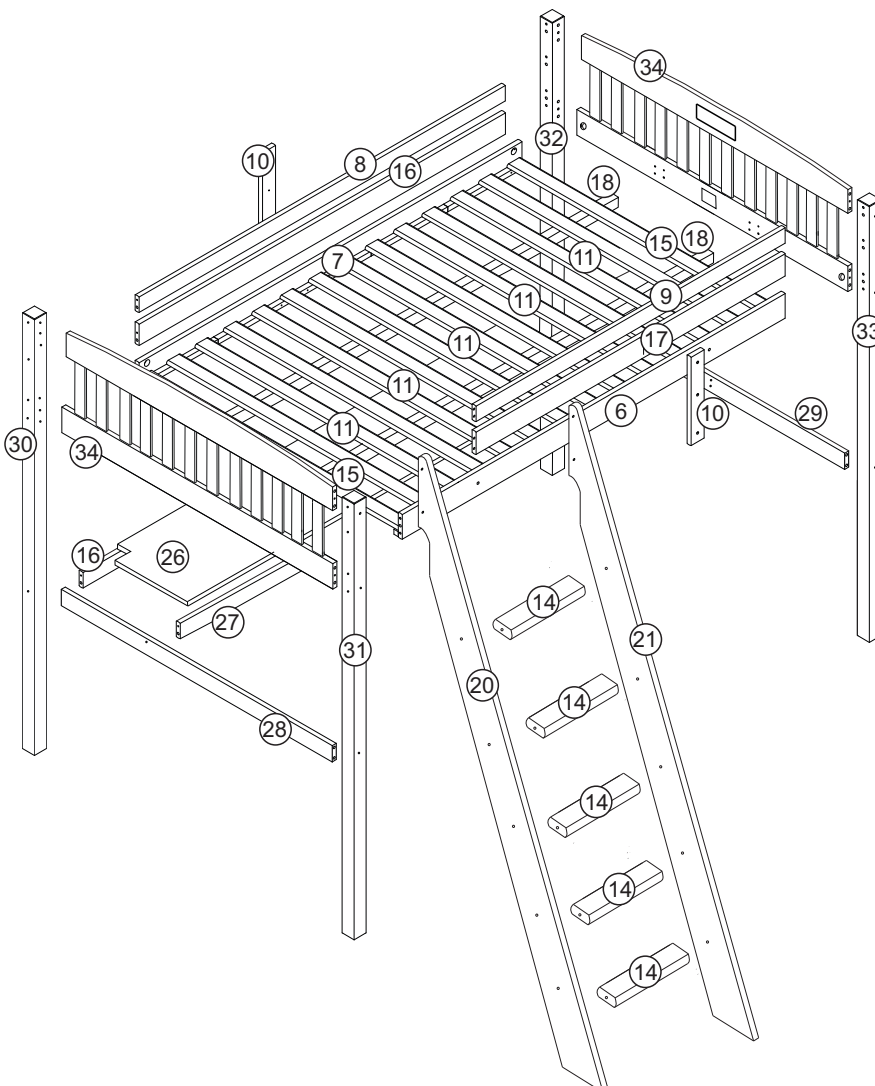
Philips Screwdriver

Hammer

CARTON CONTENTS REQUIRED:

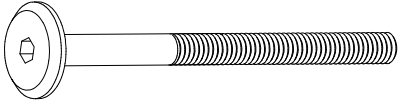

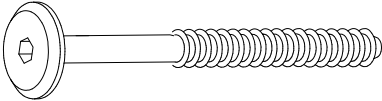
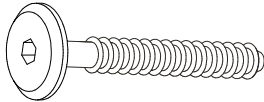
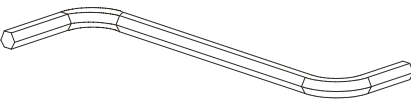
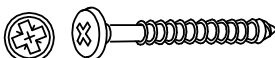
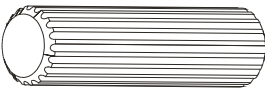

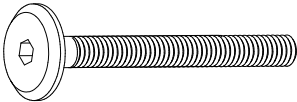
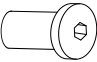

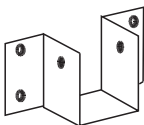

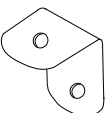
Carton 1/2- Assembly instructions, footboard, headboard, slats, ladder steps and hardware, short guardrails, desk side rails, rails.

Carton 2/2- Guardrails, bed legs, side rails , ladder legs, desk, desk large rails , support bar.

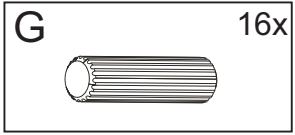
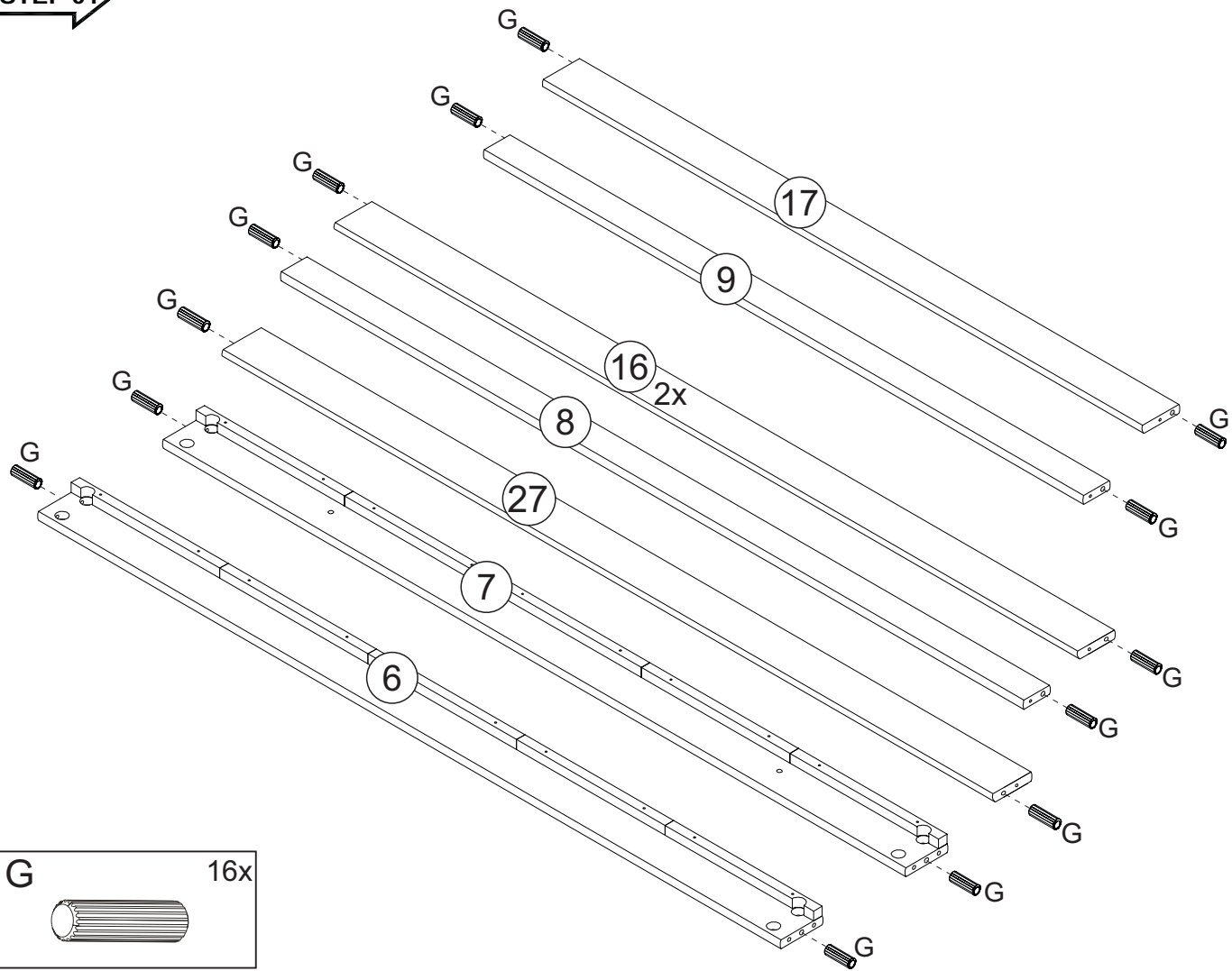


PARTS LIST(SEPARATE PARTS OF BUNK BED ACCORDING TO NUMBERING)
ATTENTION TO HARDWARE BELOW - SEPARATE AND CHECK

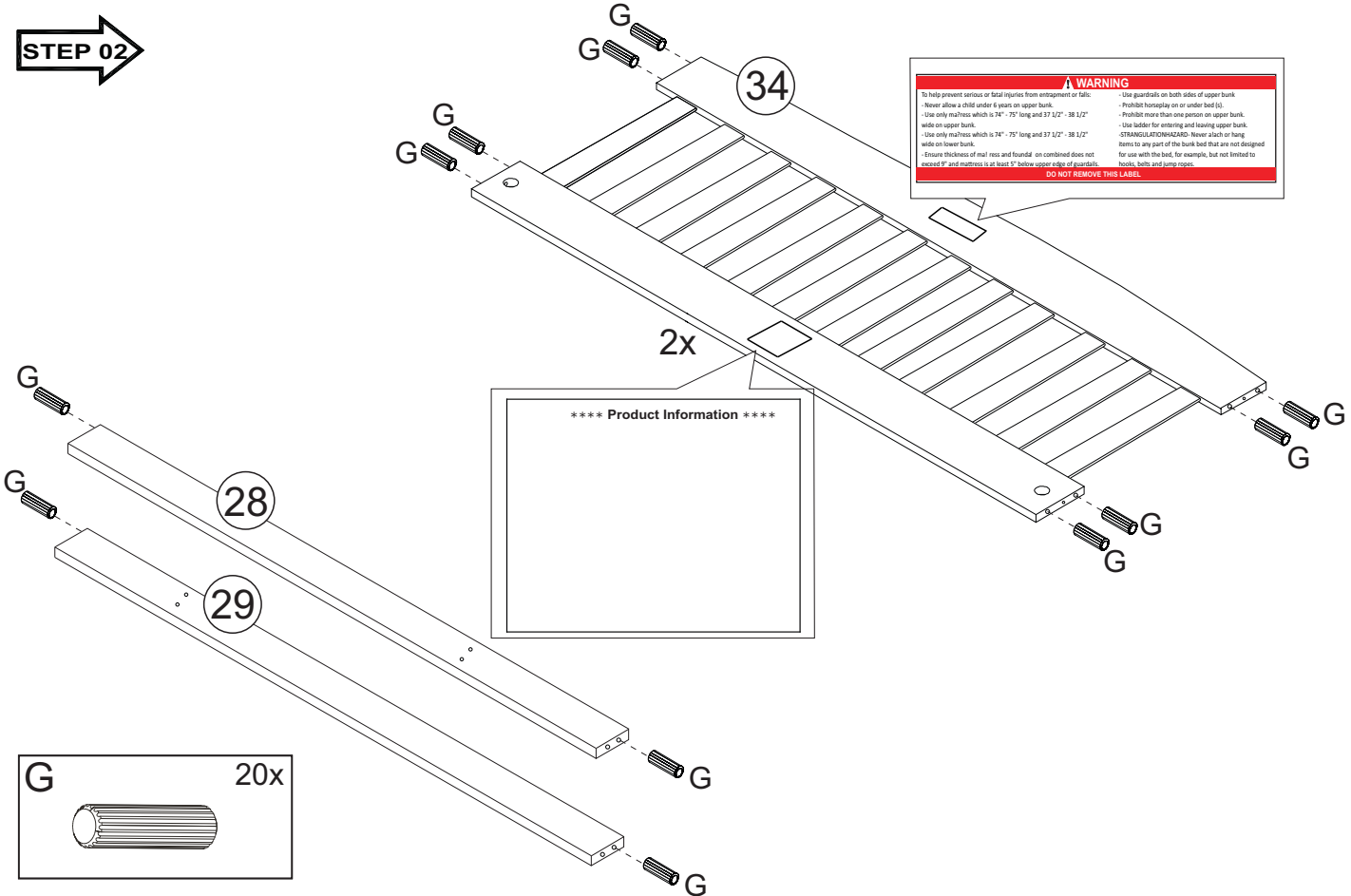
ATTENTION!!! HARDWARE BELOW (SEPARATE AND CONFER)

A	 <p style="text-align: right;">1/4" x 100</p>	12
B	 <p style="text-align: right;">1/4"</p>	12
C	 <p style="text-align: right;">7 x 100</p>	16
D	 <p style="text-align: right;">7 x 50</p>	15
E		01
F	 <p style="text-align: right;">4 x 30</p>	34
G	 <p style="text-align: right;">10 x 50</p>	36
H	 <p style="text-align: right;">73mm</p>	02
J1	 <p style="text-align: right;">1/4" x 70 Union Screw</p>	02
J2	 <p style="text-align: right;">Union Screw</p>	02
K	 <p style="text-align: right;">10mm</p>	01
L		04
M	 <p style="text-align: right;">3,5 x 16</p>	36
N		06

STEP 01



STEP 02



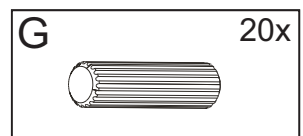
WARNING

To help prevent serious or fatal injuries from entrapment or falls:

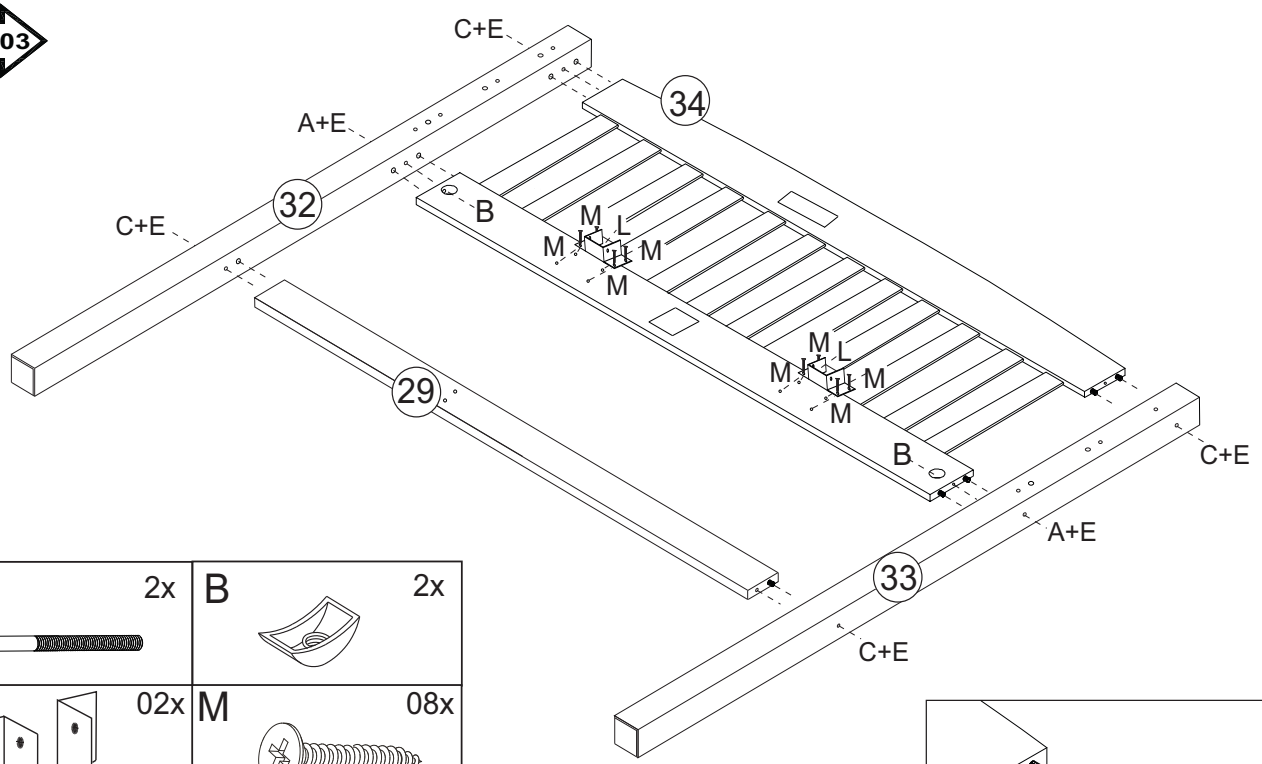
- Never allow a child under 6 years on upper bunk.
- Use only mattresses which is 14" - 25" long and 37 1/2" - 38 1/2" wide on upper bunk.
- Use only mattresses which is 14" - 25" long and 37 1/2" - 38 1/2" wide on lower bunk.
- Ensure thickness of mat, rug and foundation on combined does not exceed 6" and mattress is at least 6" below upper edge of guardrail.
- Use guardrails on both sides of upper bunk.
- Prohibit horseplay on or under bed (s).
- Prohibit more than one person on upper bunk.
- Use ladder for entering and leaving upper bunk.
- STRANGLING/DROWNING: Never attach or hang items to any part of the bunk bed that are not designed for use with the bed, for example, but not limited to hooks, balls and jingle ropes.

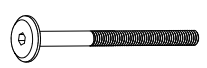

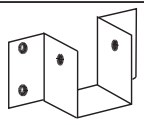
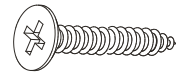
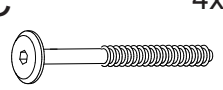

DO NOT REMOVE THIS LABEL.

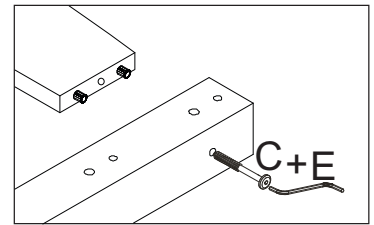
**** Product Information ****



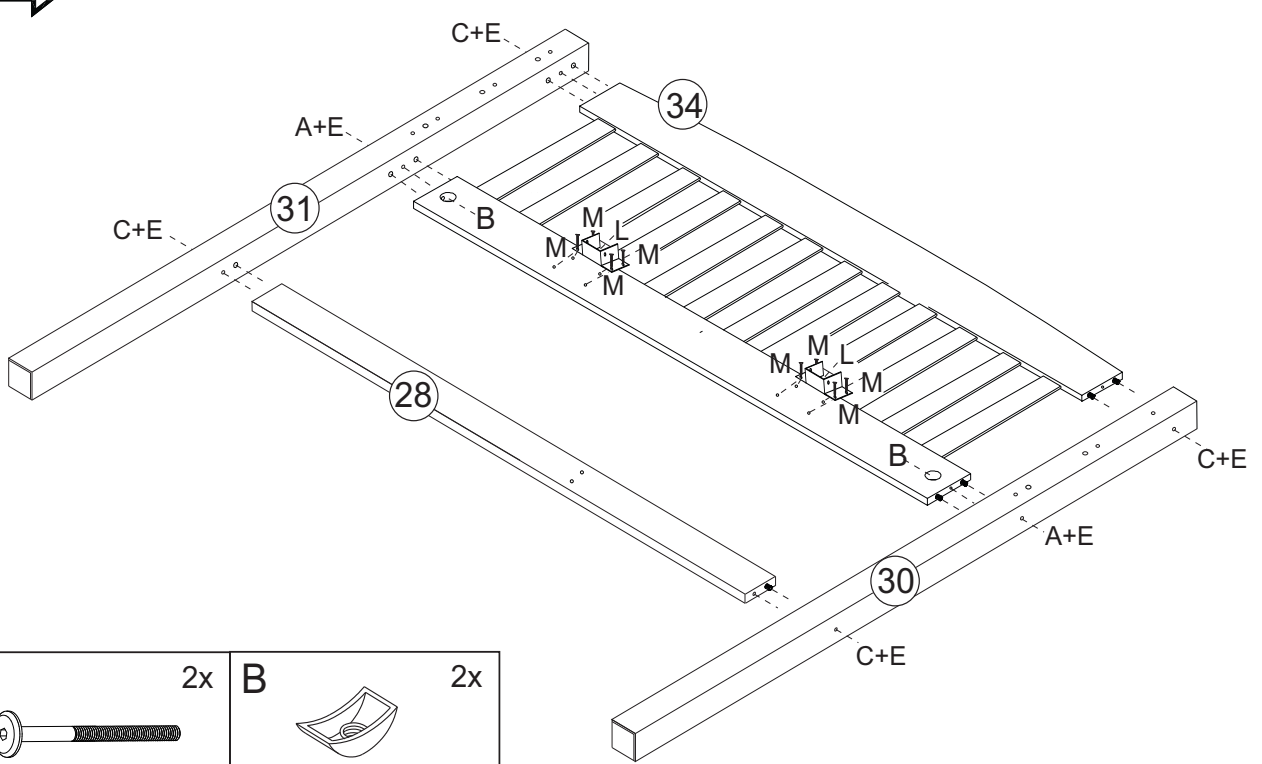
STEP 03

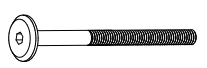

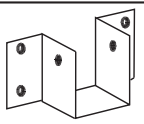
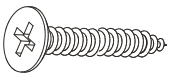
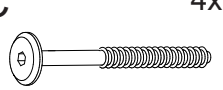



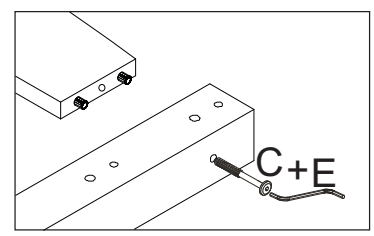
A	2x	B	2x
			
L	02x	M	08x
			
C	4x	E	01x
			



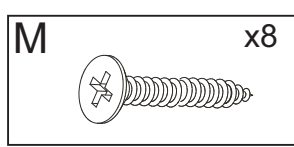
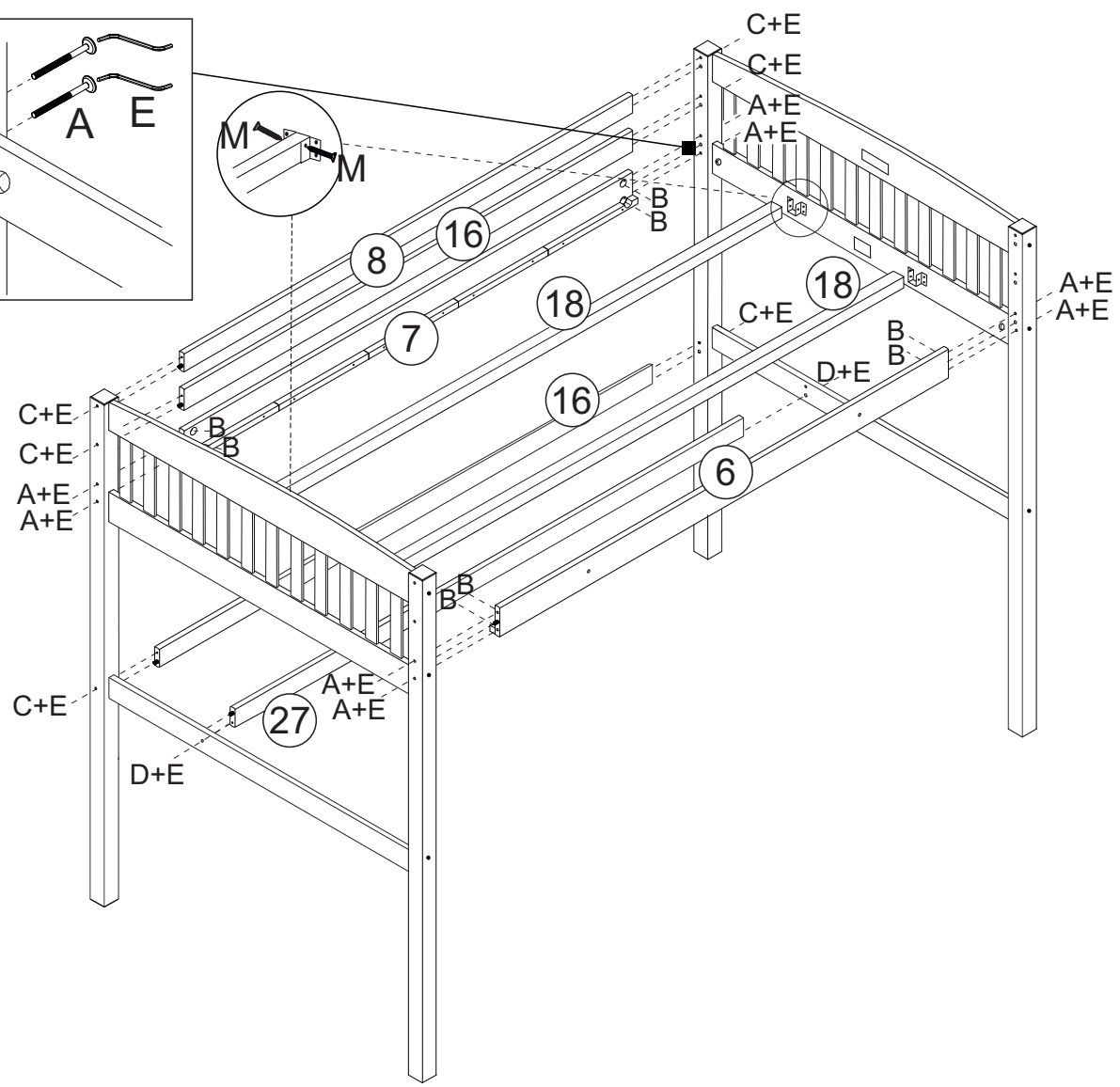
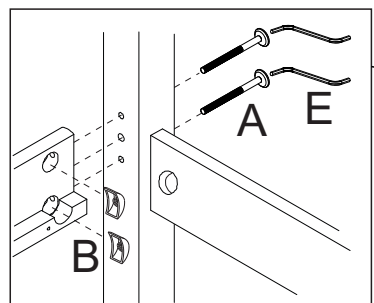
STEP 04



A	2x	B	2x
			
L	02x	M	08x
			
C	4x	E	01x
			

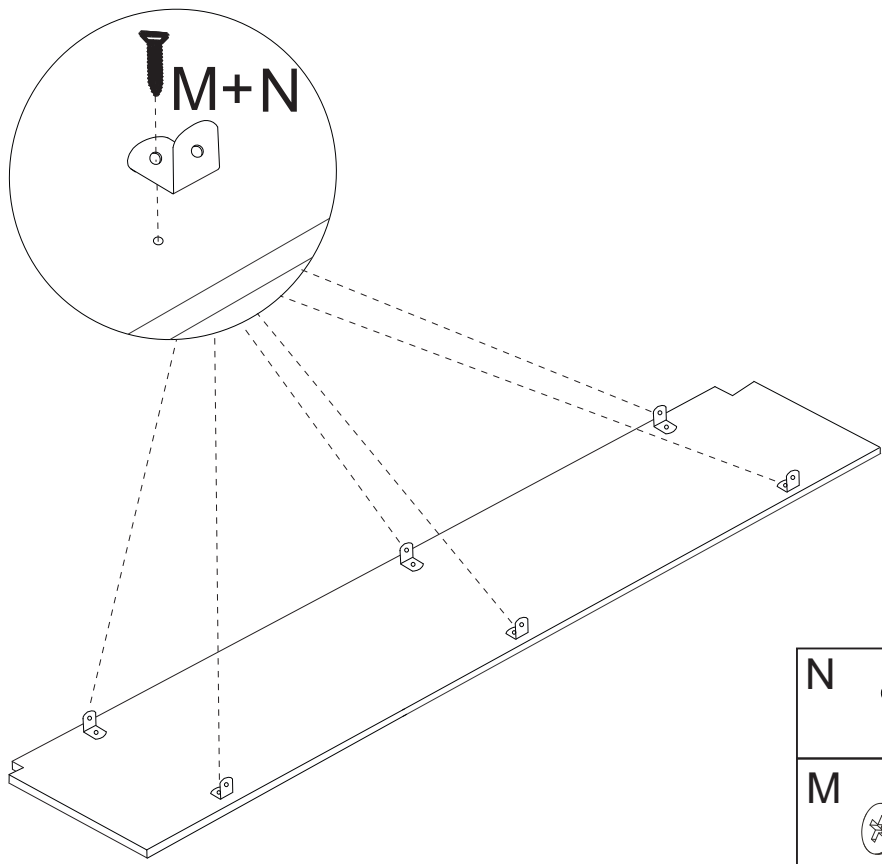


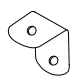

STEP 05



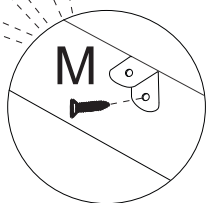
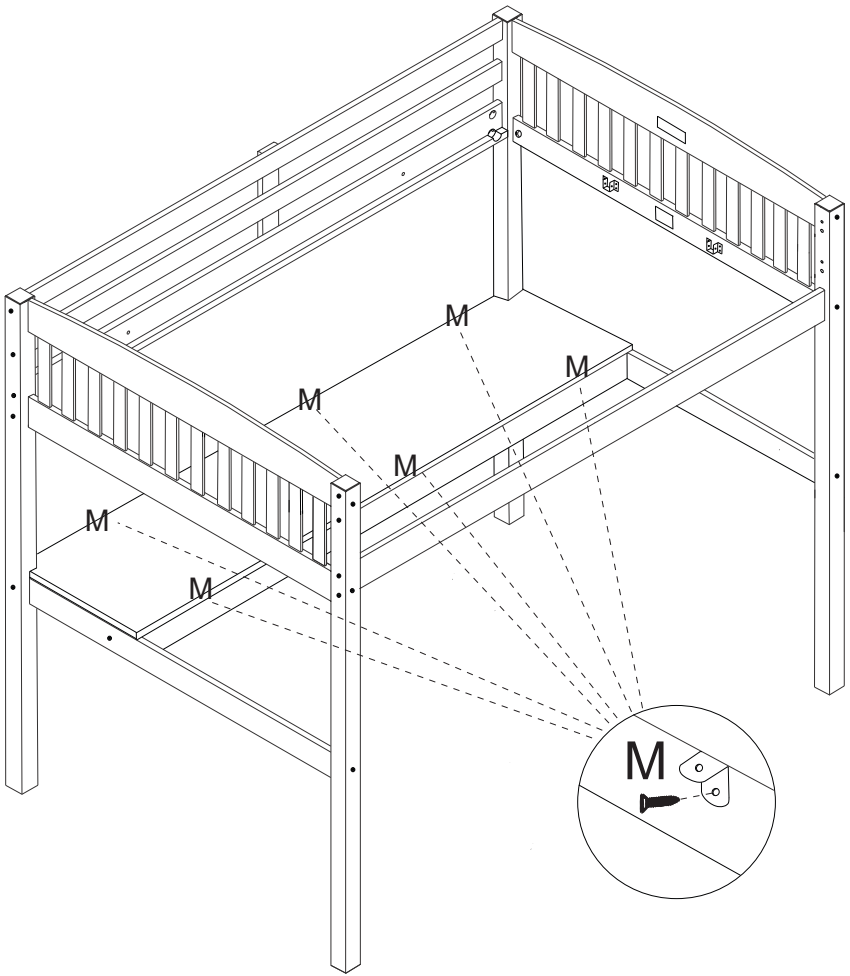
	D	02x	
A		08x	
B		08x	
C		06x	
E		01x	


STEP 06



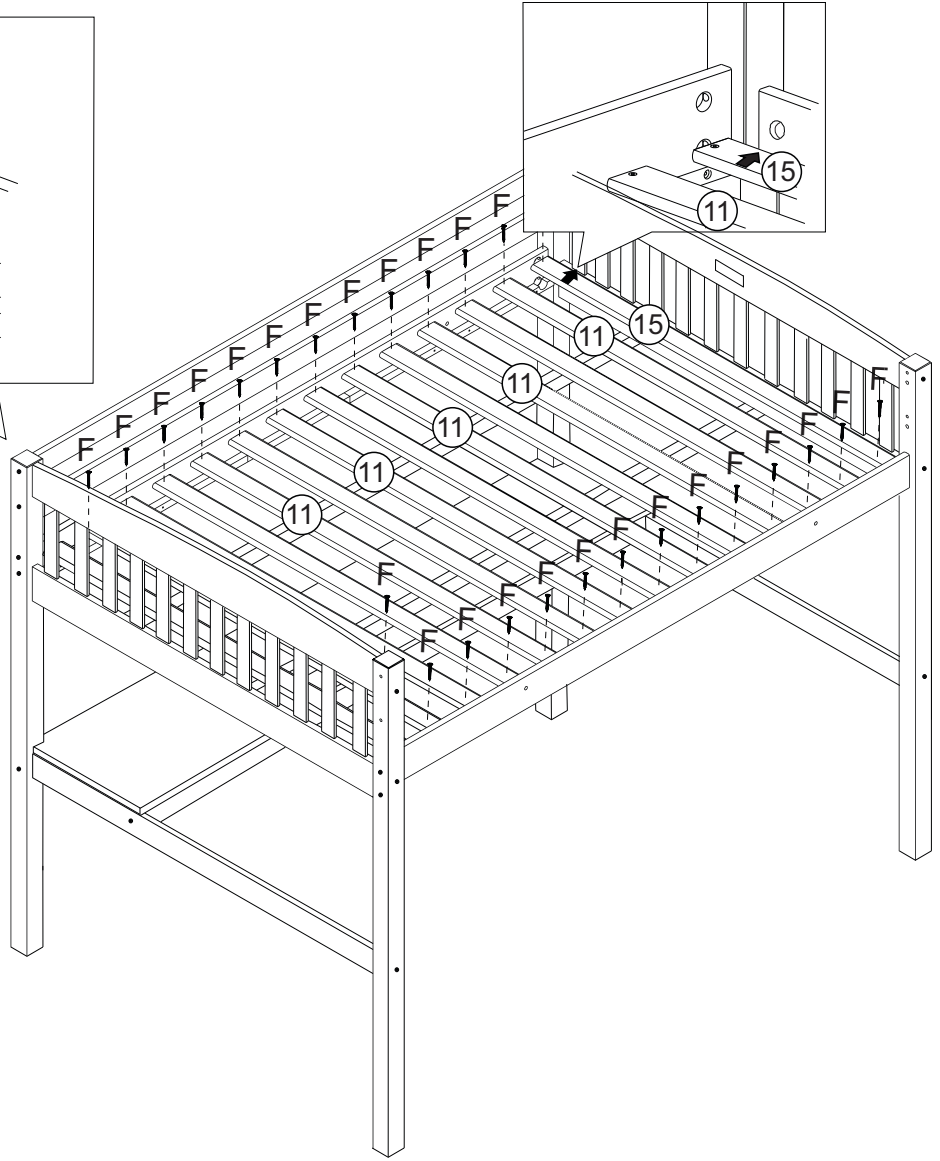
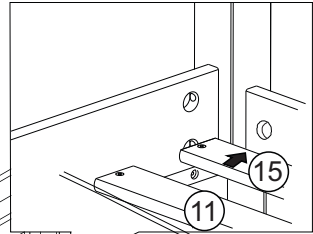
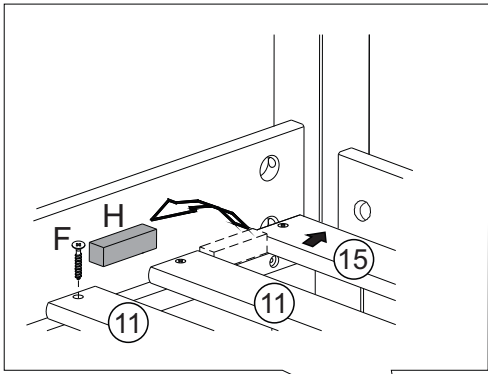
- | | | |
|---|---|----|
| N |  | x6 |
| M |  | x6 |





STEP 07



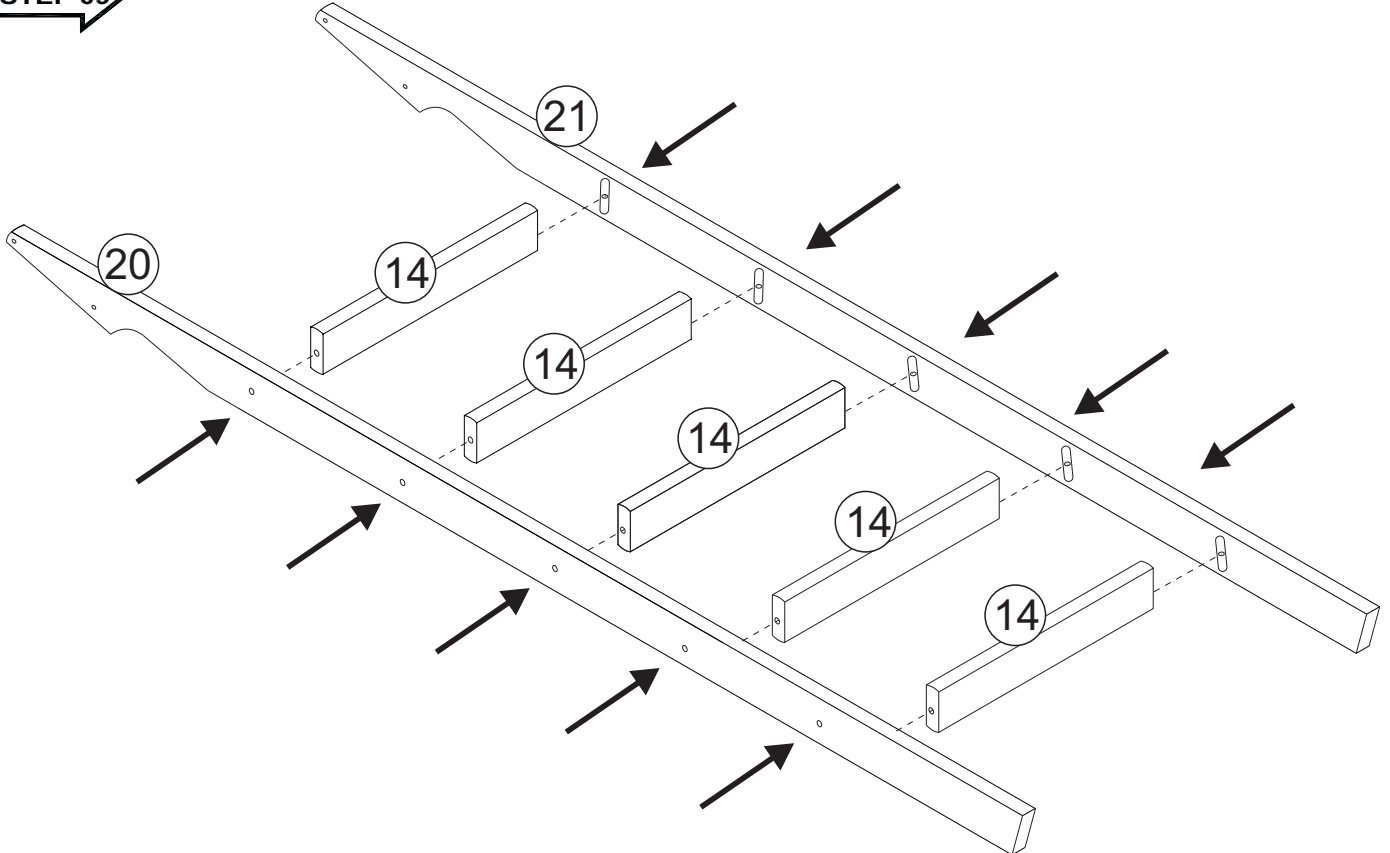
- | | | |
|---|---|----|
| M |  | x6 |
|---|---|----|

STEP 08

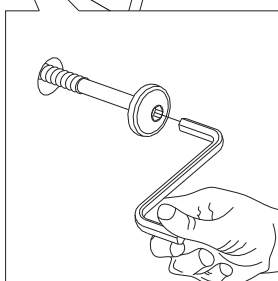
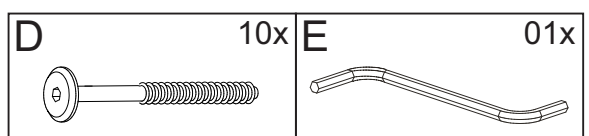
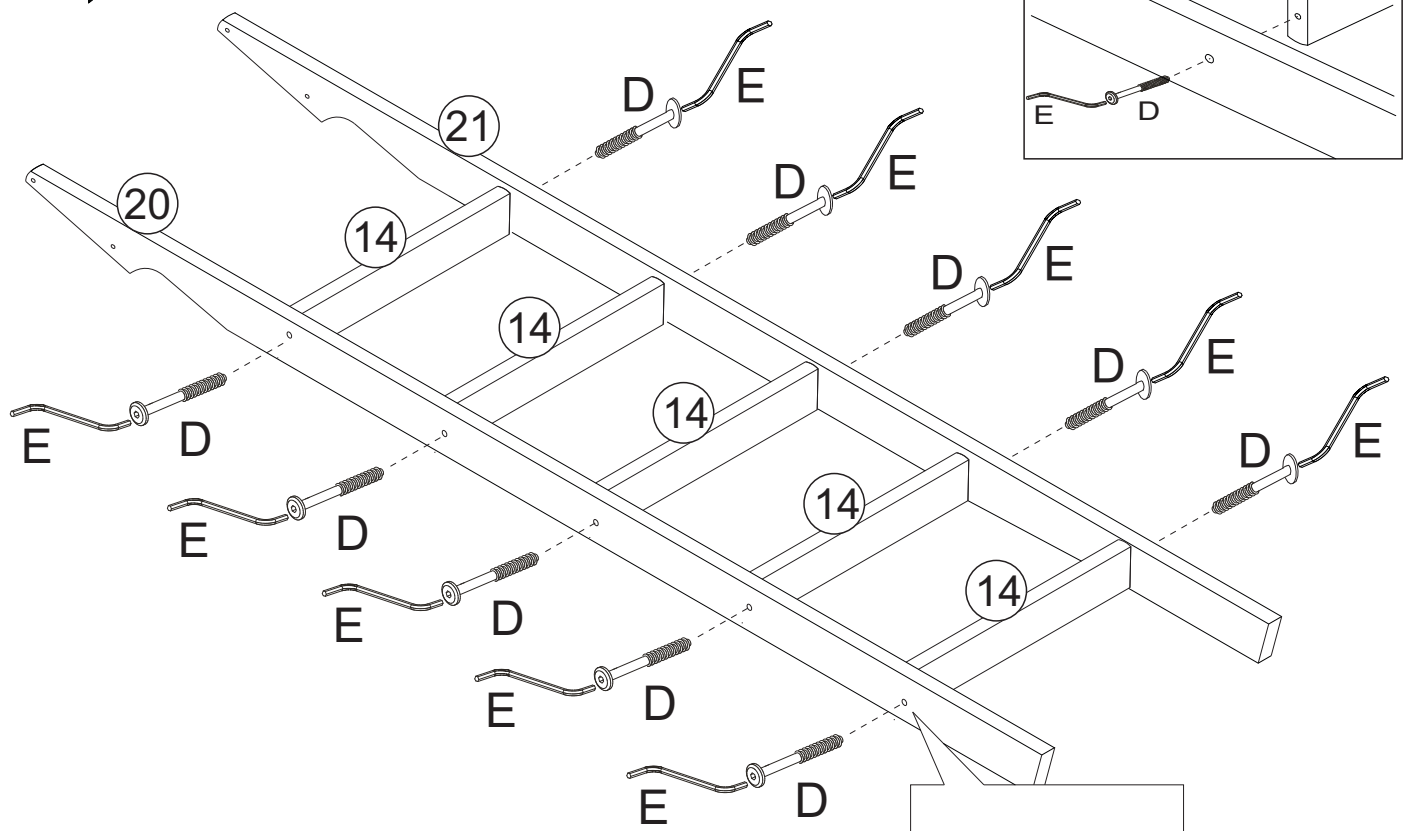


F	28x	H	02x
			

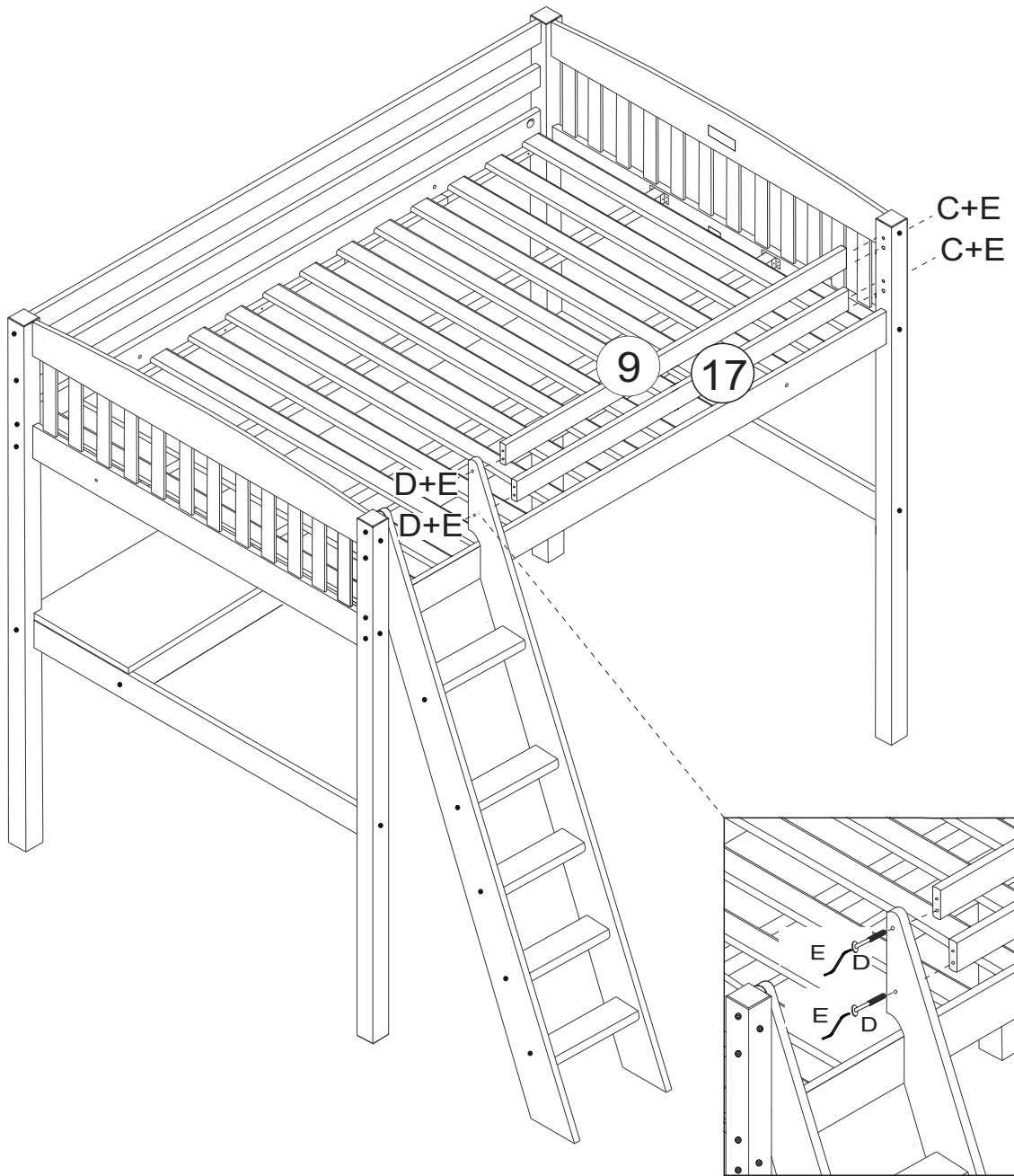
STEP 09

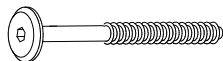
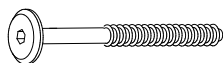



STEP 10

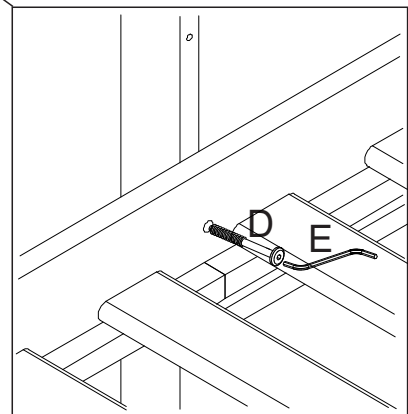
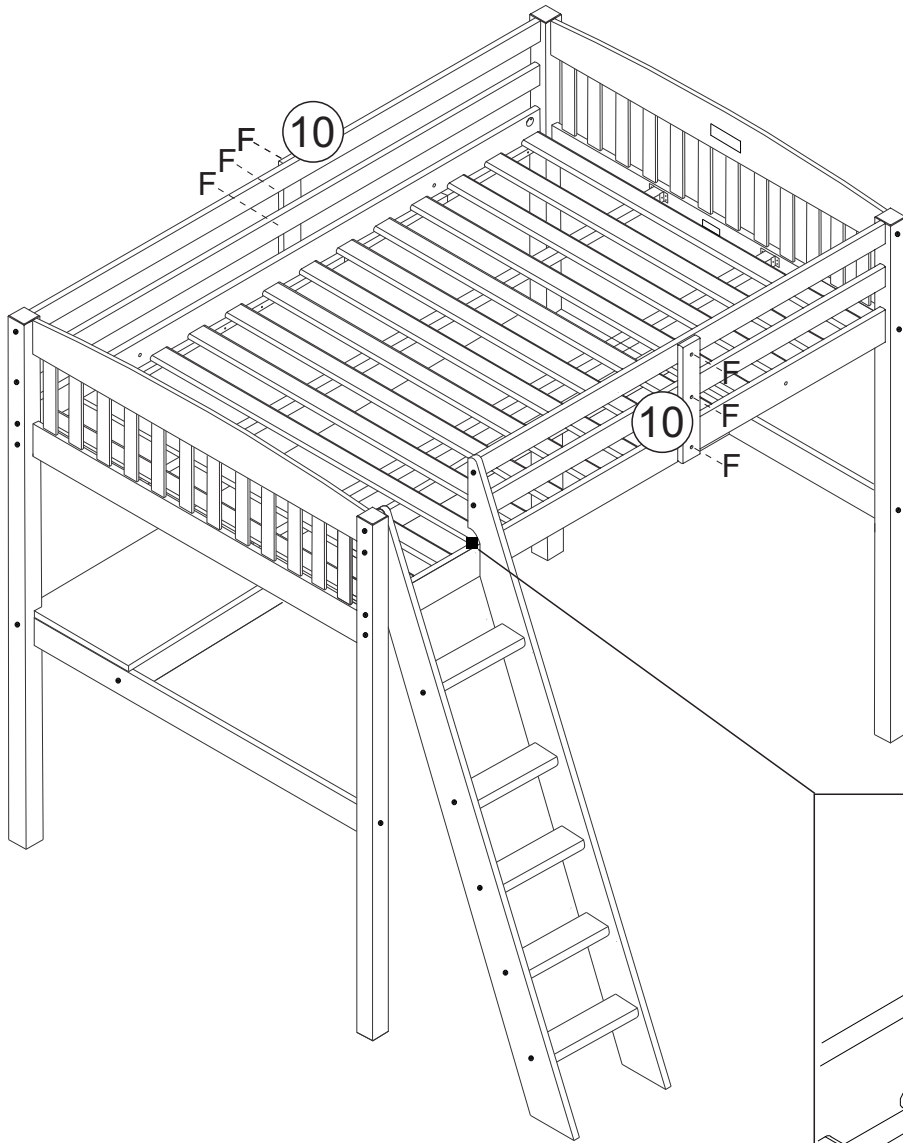


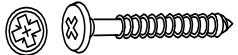
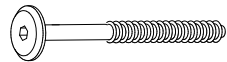

STEP 11



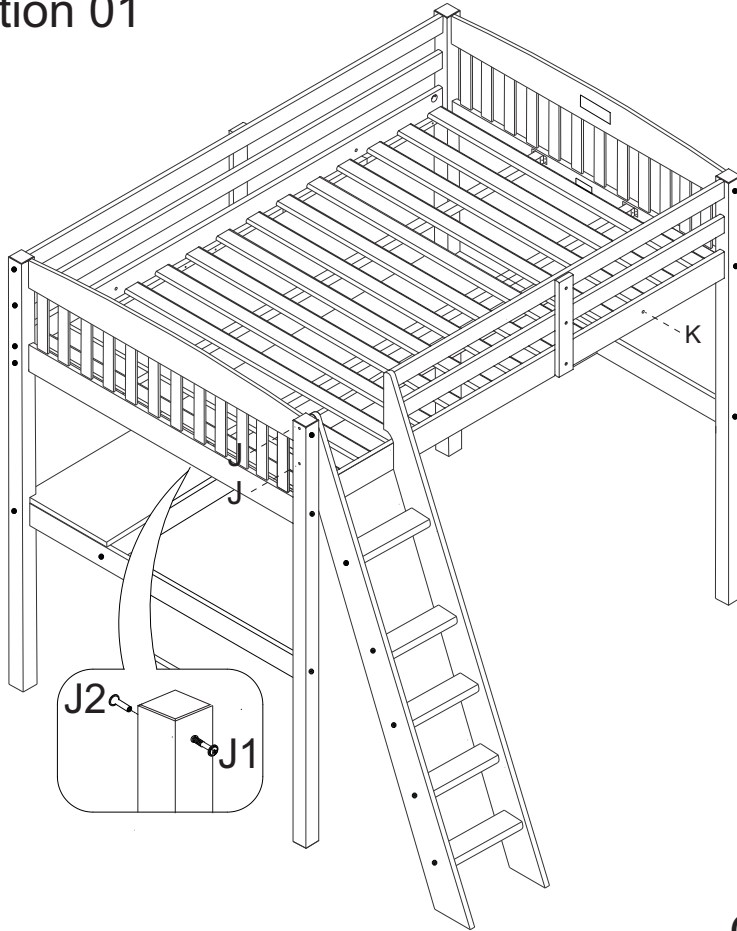
C	02x
	
D	02x
	
E	01x
	

STEP 12

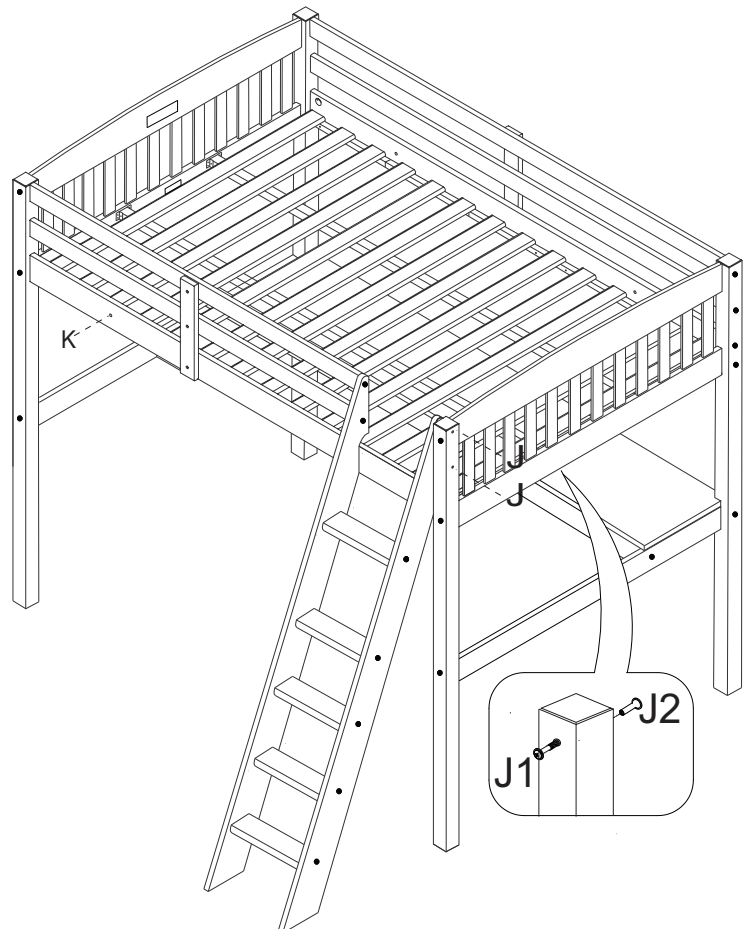


F		06x
D		01x
E		01x

Option 01



Option 02



J1	02x		
J2	02x	K	01x