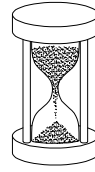
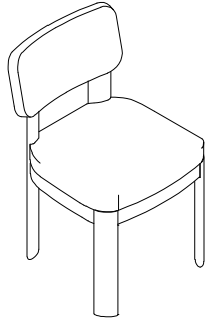
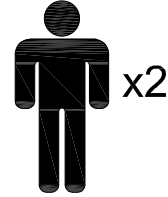


4225 - 02 / 4225BLK - 02 GABRIELLE SIDE CHAIR

ASSEMBLY INSTRUCTIONS



15 MIN



TOOLS REQUIRED
(Allen Key provided)

PART LIST

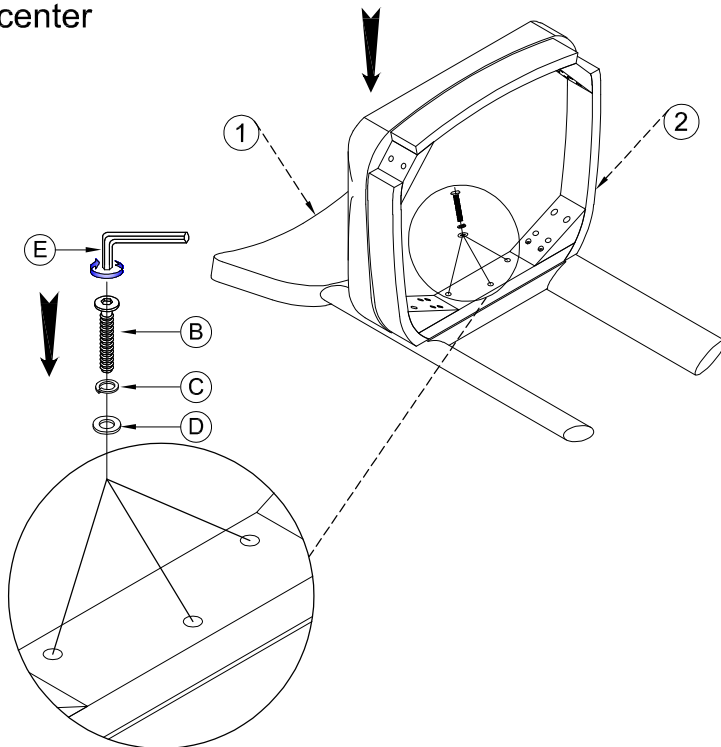
No.	Description	Part	Quantity
1	BACK FRAME		1pc
2	SEAT FRAME		1pc
3	FRONT LEGS		2pcs

HARDWARE LIST

No.	Description	Sketch	Size	Quantity
A	Allen Bolt		M6 x 70mm	4pcs
B	Allen Bolt		M6 x 45mm	7pcs
C	Spring Washer		M6 x 1.2 x 10mm	11pcs
D	Flat Washer		M6 x 2 x 19mm	11pcs
E	Allen Key		4mm x 50	1pc

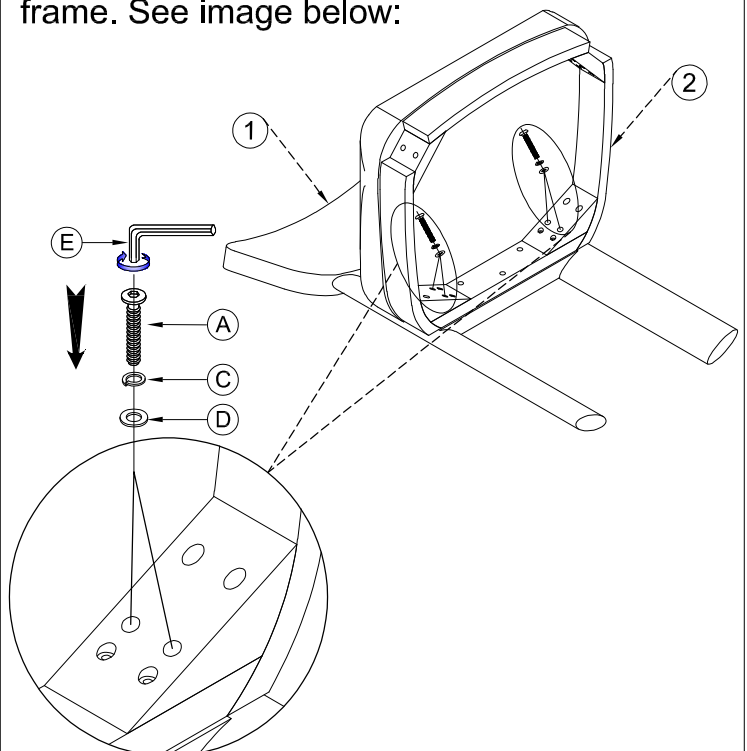
STEP 1

Attach seat frame (2) to back frame (1) by securing it with the corresponding bolts in the center



STEP 2

Secure the seat frame (2) using corresponding bolts and connect to each leg in the back frame. See image below:



B		C		D		E	
M6 x 45 mm : 3 pcs.		Ø6 x Ø10 x 1.2 : 3 pcs.		Ø6 x Ø19 x 2 : 3 pcs.		4mm x 50 : 1 pc.	

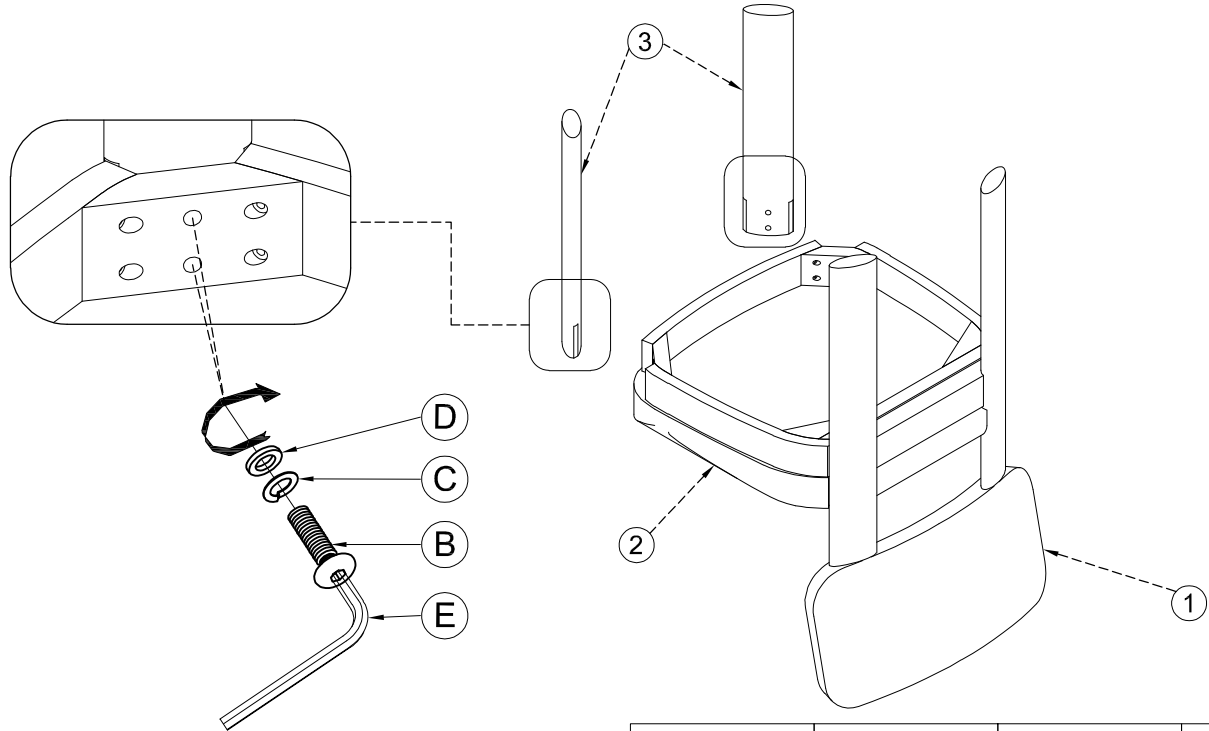
A		C		D		E	
M6 x 70 mm : 4 pcs.		Ø6 x Ø10 x 1.2 : 4 pcs.		Ø6 x Ø19 x 2 : 4 pcs.		4mm x 50 : 1 pc.	





4225 - 02 / 4225BLK - 02 GABRIELLE SIDE CHAIR

ASSEMBLY INSTRUCTIONS

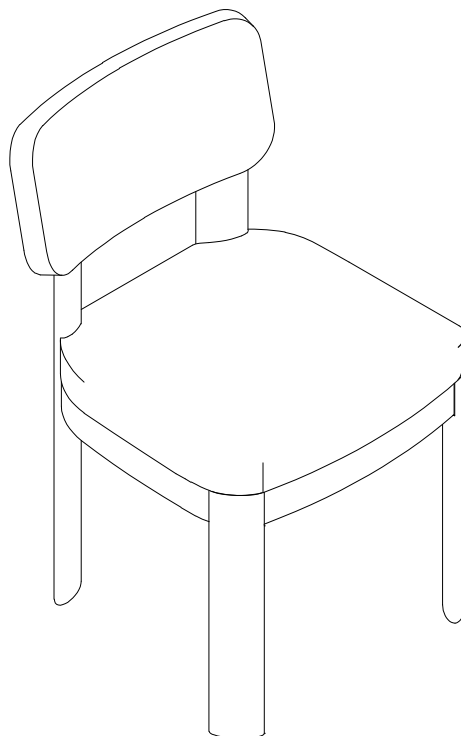
STEP 3

Attach front legs (3) to seat frame and secure it using corresponding hardware



B 	C 	D 	E 
M6 x 45 mm : 4 pcs.	Ø6 x Ø10 x 1.2 : 4 pcs.	Ø6 x Ø19 x 2 : 4 pcs.	4mm x 50 : 1 pc.

ASSEMBLY COMPLETED



"Carefully reposition the Chair Upright with the help of Two or more adults"