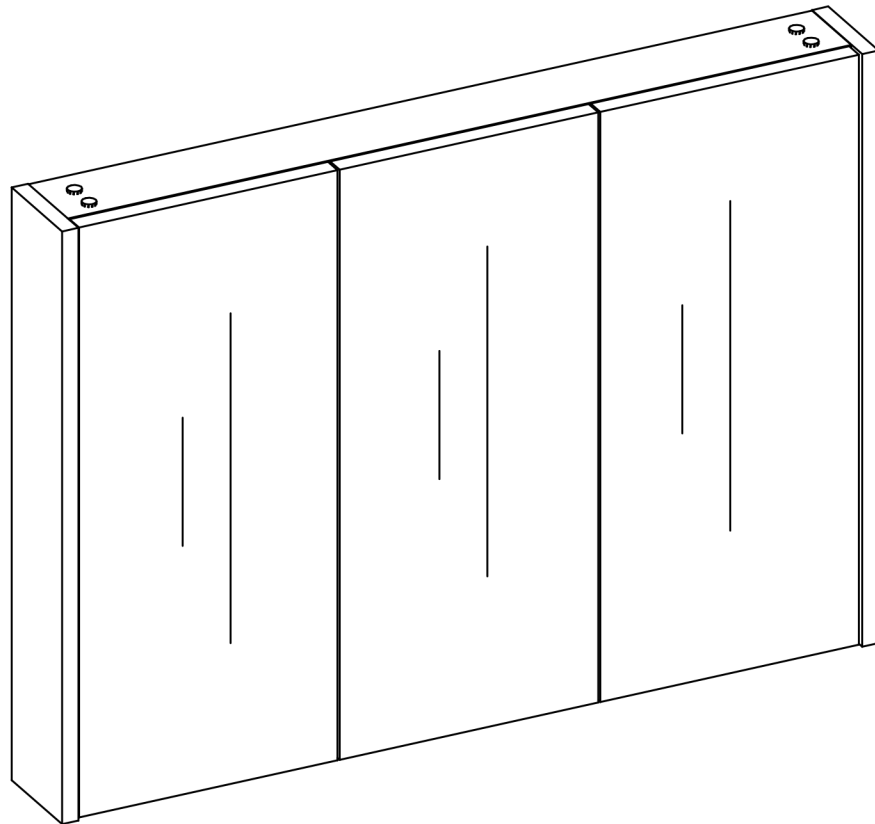
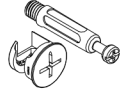



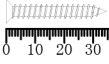
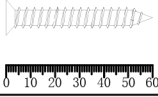



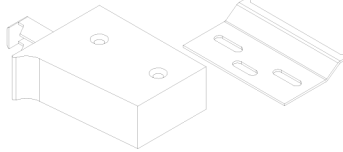

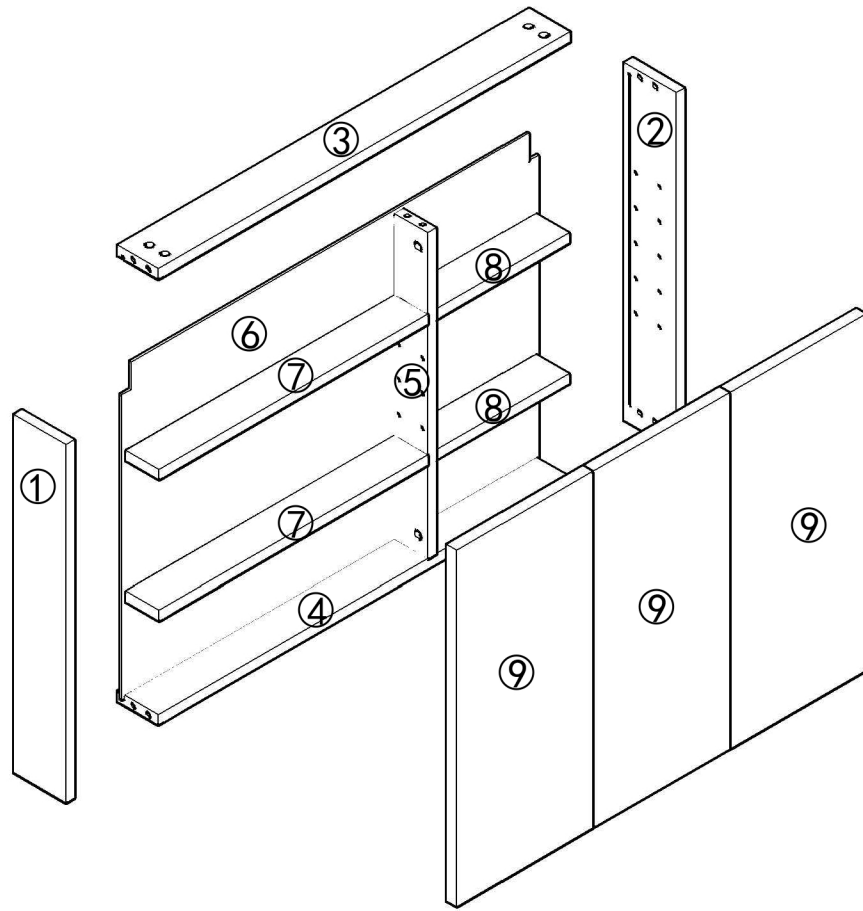


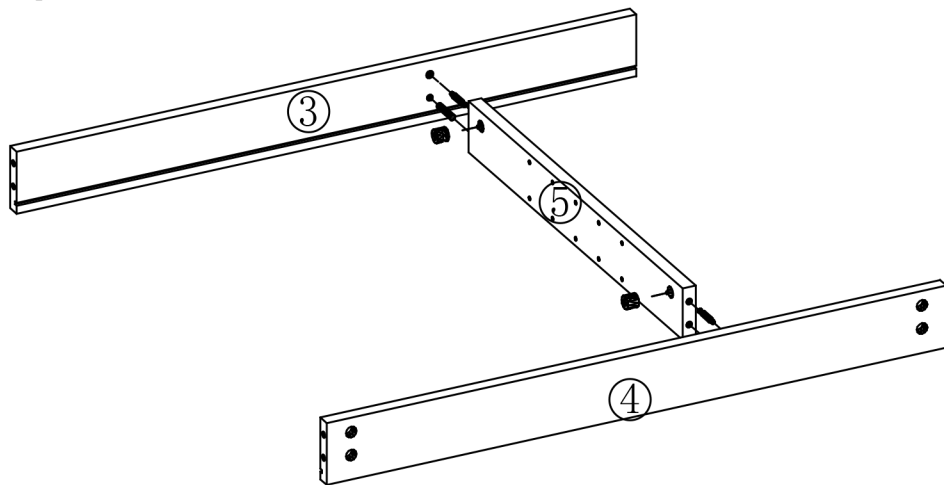
Assembly Instructions



NO.	QTY.	LINEDRAWING	DESCRIPTION
A	10		
B	2		
C	42		
D	16		
E	4	 3.5*35	
F	4	 6*60	
G	4		
H	2		
I	4		
J	2		
K	6		

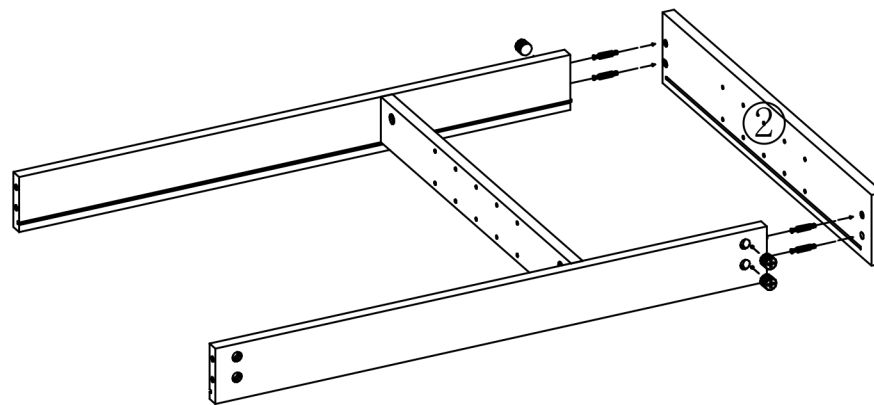


1



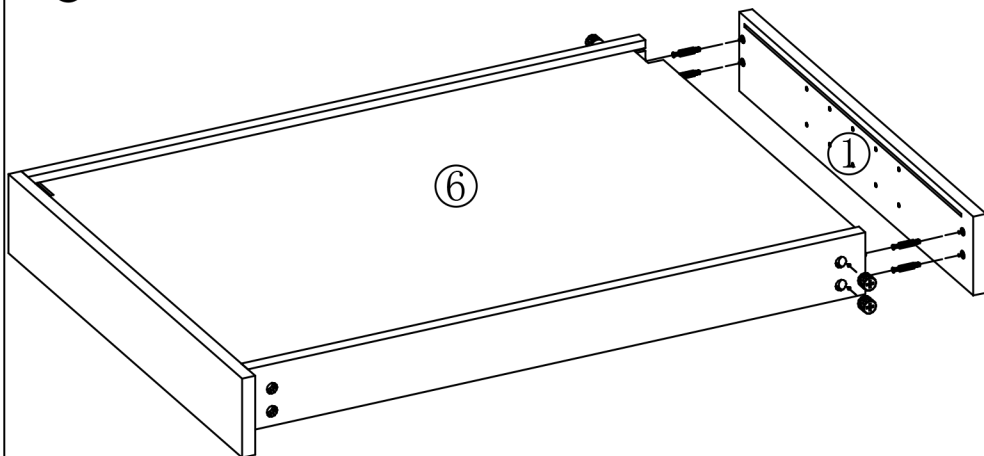
$A*2+B*2$

2



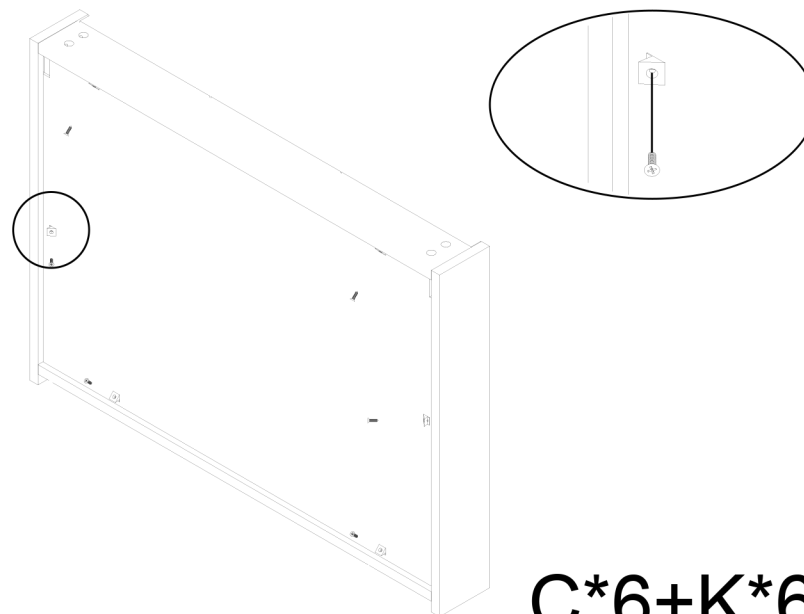
$A*4$

3



$A*4$

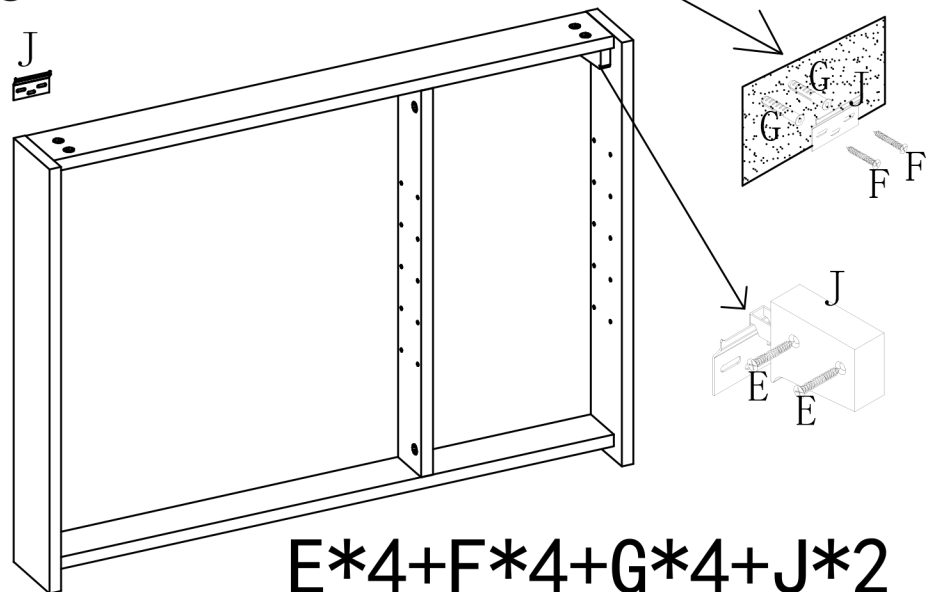
4



$C*6+K*6$

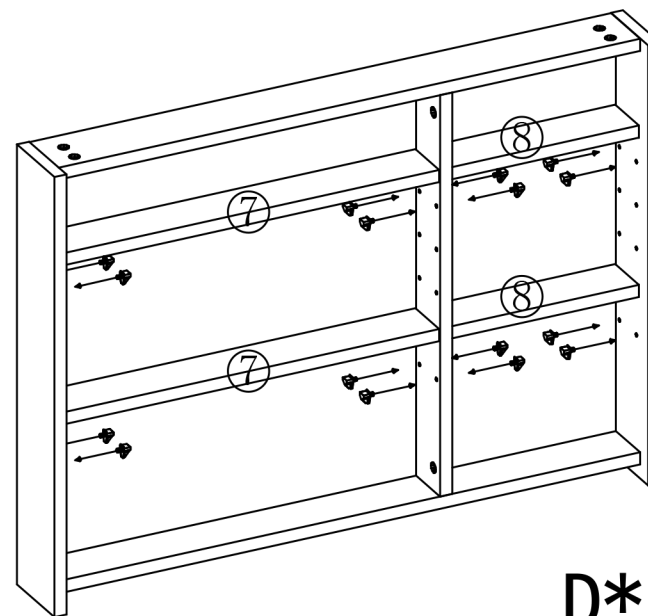
5

J



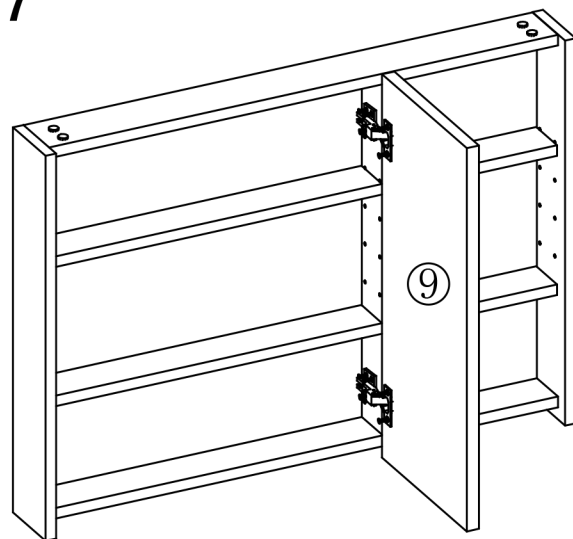
$E*4+F*4+G*4+J*2$

6

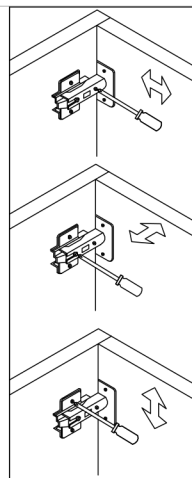


$D*16$

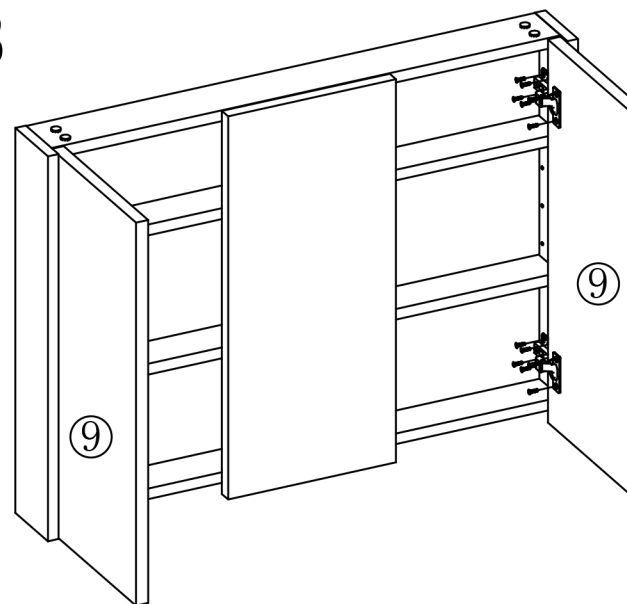
7



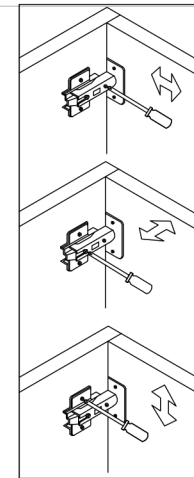
$C*12+H*2$



8



$C*24+I*4$



9

