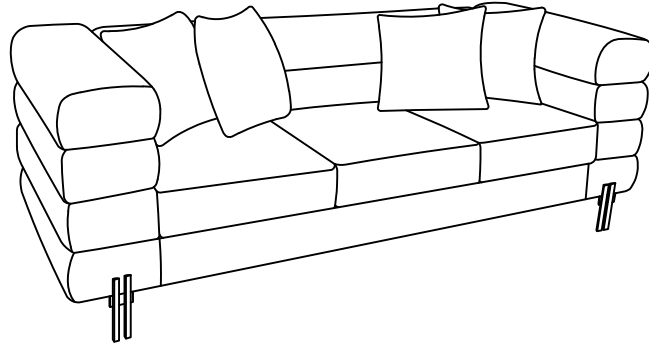


# ASSEMBLY INSTRUCTION

Item NO:S8018 SOFA



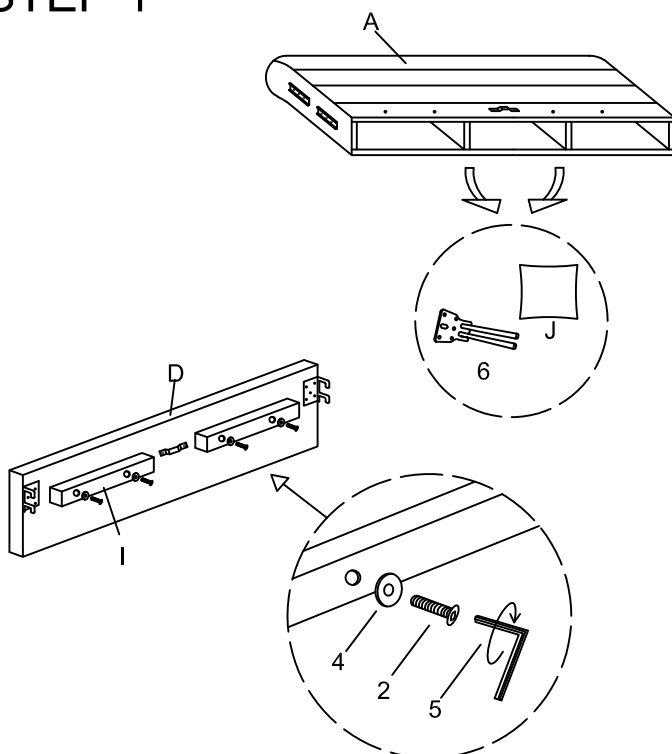
## PARTS IDENTIFICATION

A	BACK REST		1PC	G	SUPPORT STRIP		1PC
B	LEFT ARMREST		1PC	H	BATTEN		2PC
C	RIGHT ARMREST		1PC	I	BATTEN		4PC
D	FRONT PLATE		1PC	J	PILLOW		4PC
E	SEAT		1PC				
F	CUSHION		3PC				

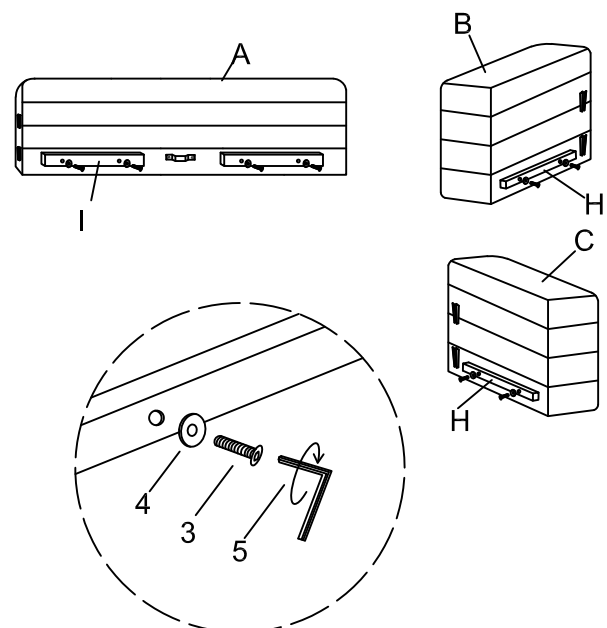
## HARDWARE LIST

NO.	SIZE	DIAGRAM	QTY
1	Bolts 5/16**40mm		12
2	Bolts 5/16**60mm		4
3	Bolts 5/16**65mm		8
4	Flat washer		24
5	Allen wrench		1
6	LEG		4

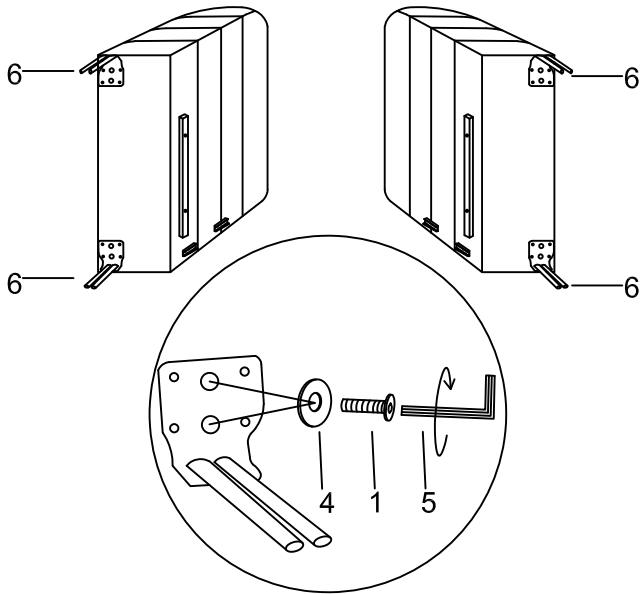
## STEP 1



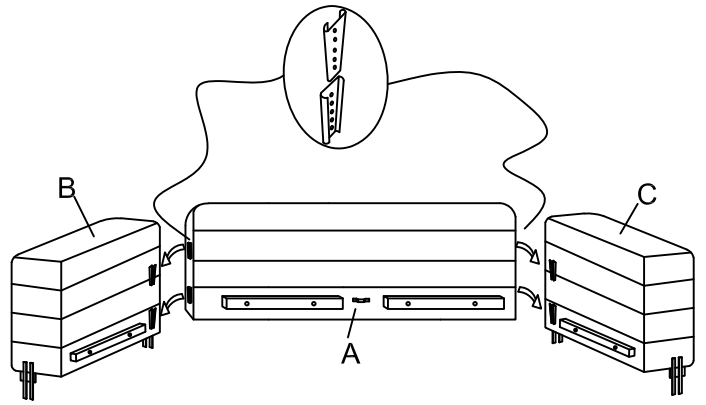
## STEP 2



### STEP 3

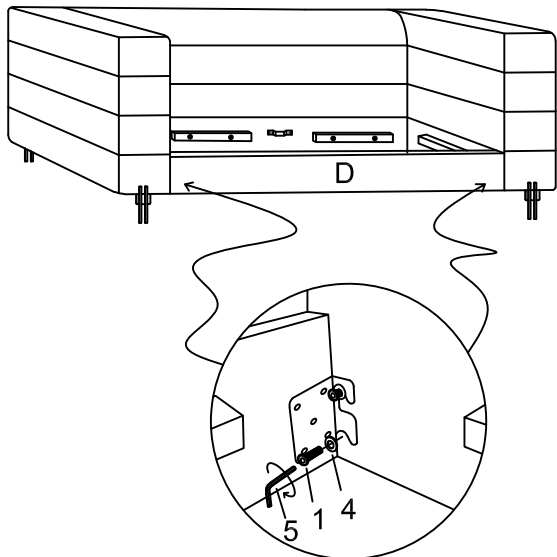


### STEP 4

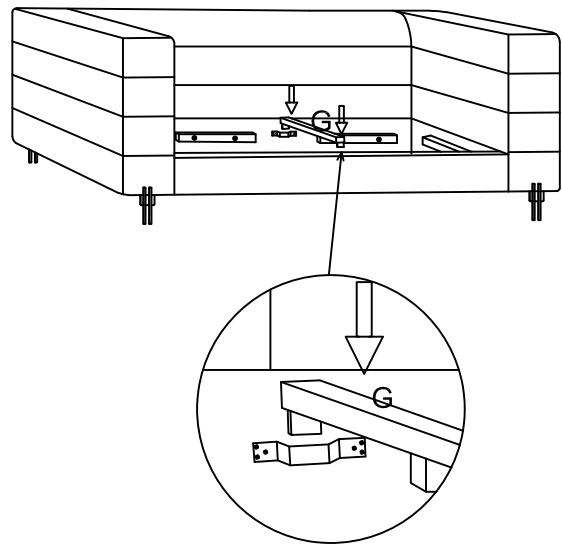


Please firmly insert the backrest and armrest to make them tightly combined

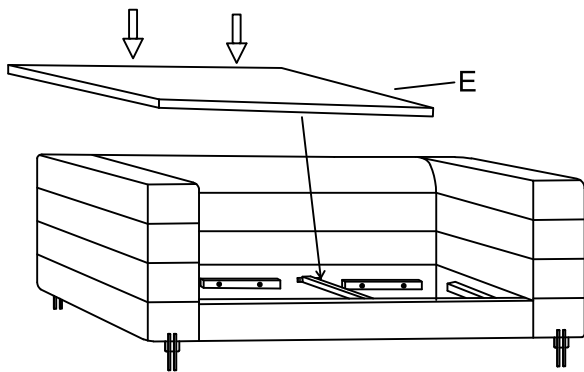
### STEP 5



### STEP 6



### STEP 7



### STEP 8

