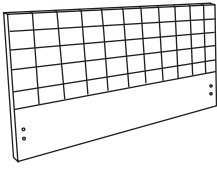
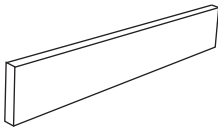


HARDWARE LIST(76"*80")

① Headboard 1pc



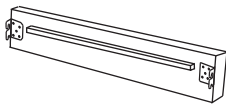
② Footboard 1pc



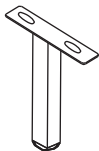
③ Slats x 1pc



④ Side Rail x 2pcs



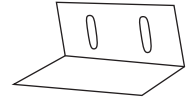
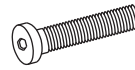
⑤ Support Leg 1
x 4pcs



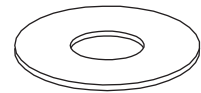
⑥ Leg x 1pc



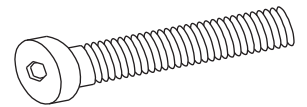
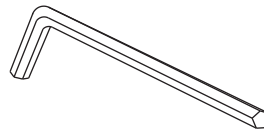
(A) Bolt M8x30mmx16pcs (B) Bracket X 2pcs



(C) Spring WasherX24pcs (D) Flat WasherX24pcs

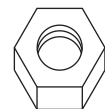


(E) Allen Key M5 x 1pc (F) BoltM8 x 50mm x 8pcs

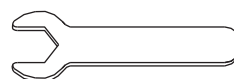


(G) Rubber Feet x 2pcs

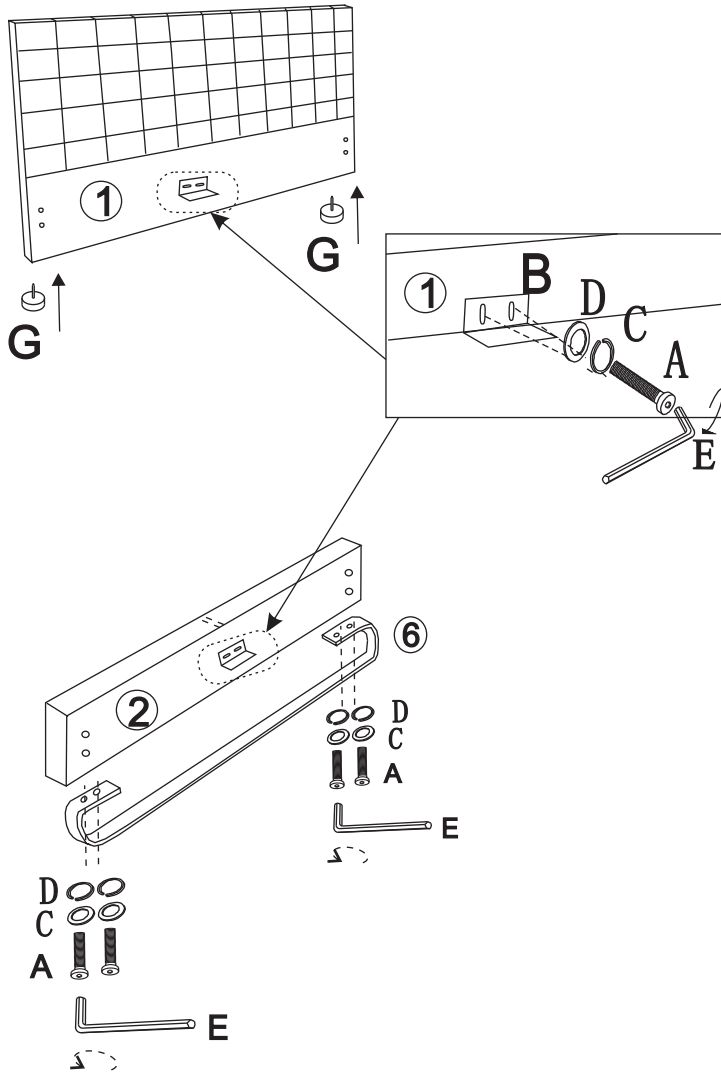
(H) Nut M8x8pcs



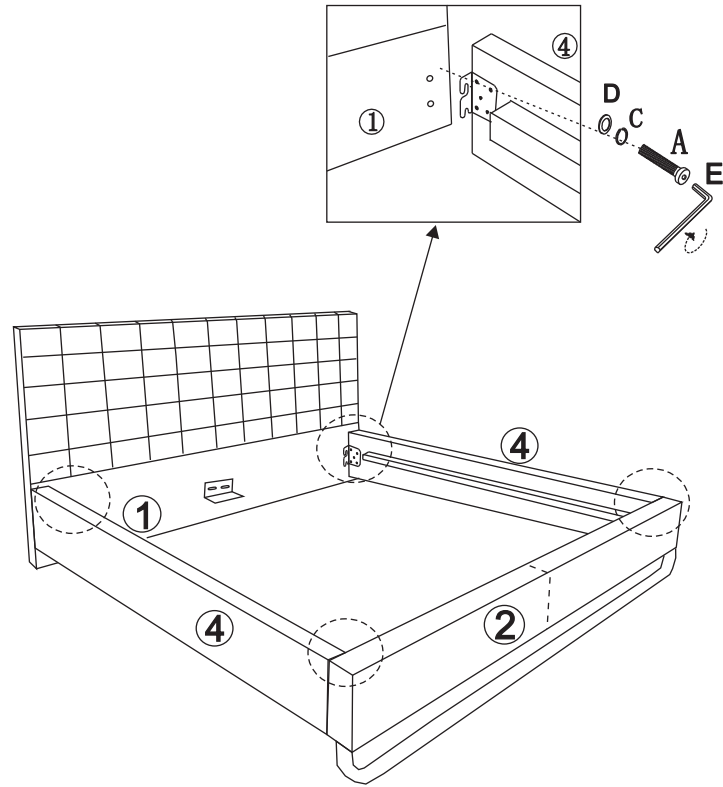
(I) Spanner x 1pc



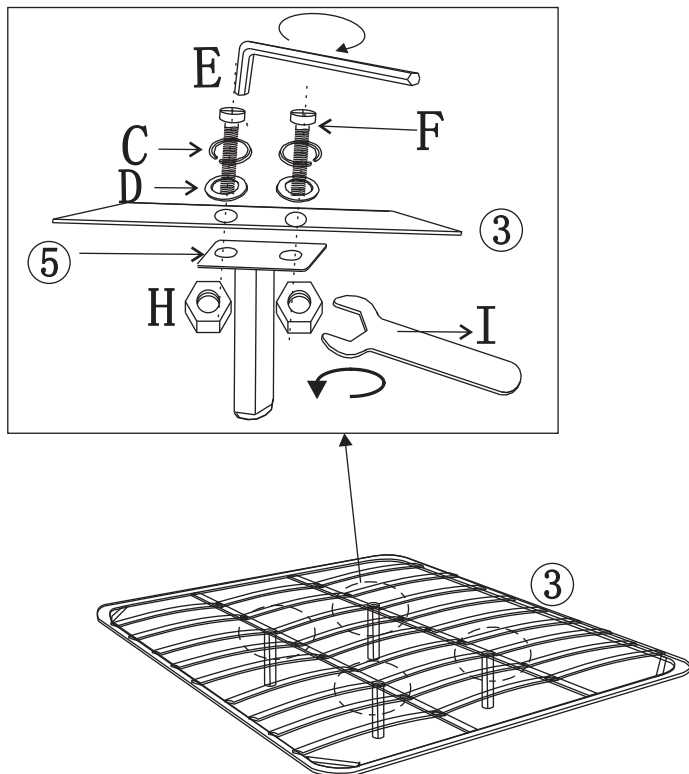
Step 1



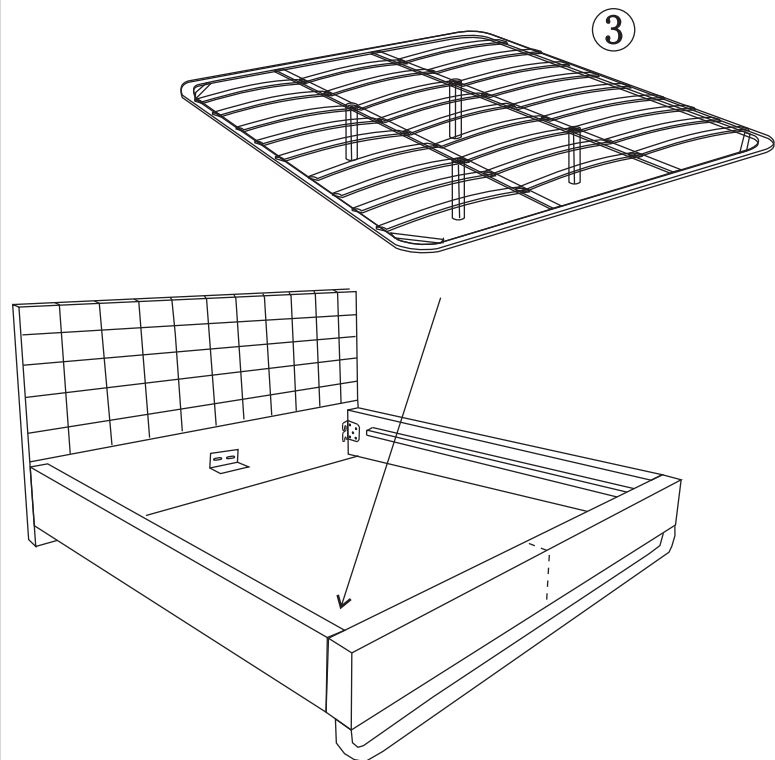
Step 2



Step 3

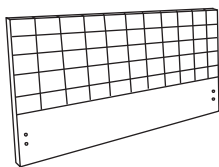


Step 4

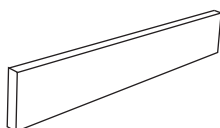


HARDWARE LIST(60"*80")

① Headboard 1pc



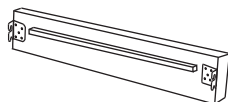
② Footboard 1pc



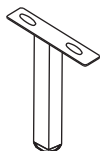
③ Slats x 1pc



④ Side Rail x 2pcs



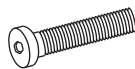
⑤ Support Leg 1
x 2pcs



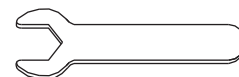
⑥ Leg x 1pc



(A) Bolt M8x30mmx12pcs



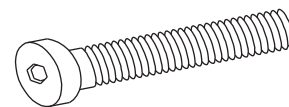
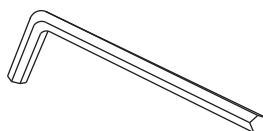
(B) Spanner x 1pc



(C) Spring WasherX16pcs (D) Flat WasherX16pcs



(E) Allen Key M5 x 1pc (F) BoltM8 x 50mm x 4pcs



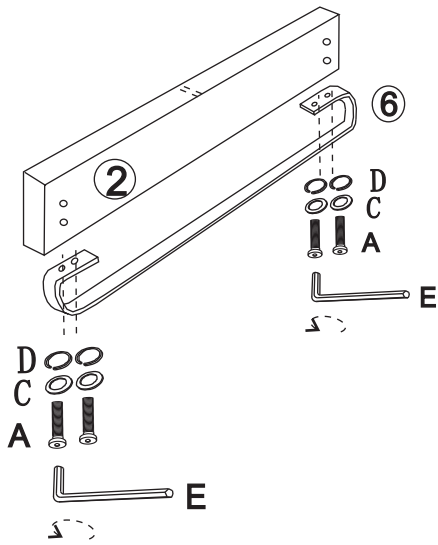
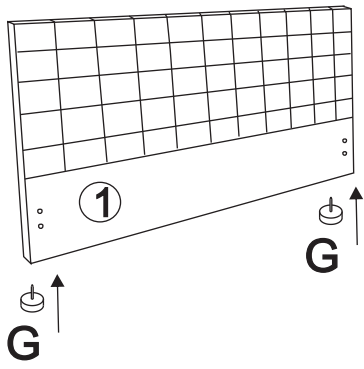
(G) Rubber Feet x 2pcs



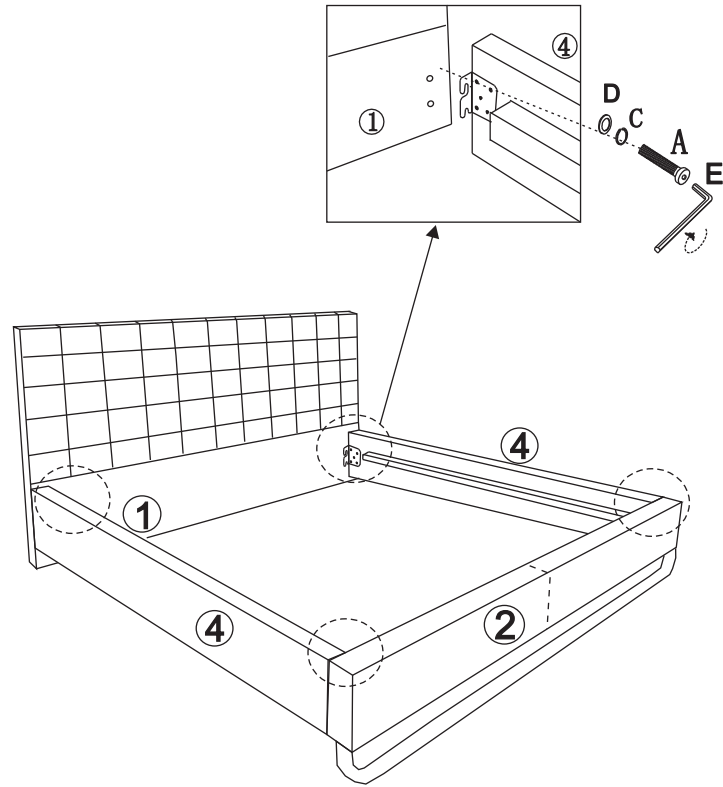
(H) Nut M8x4pcs



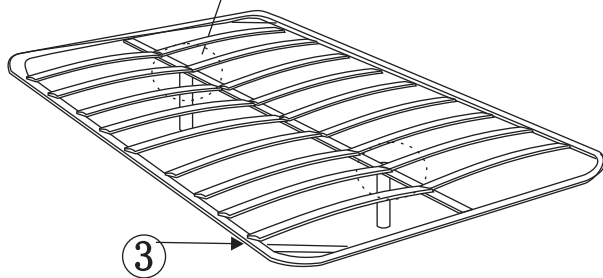
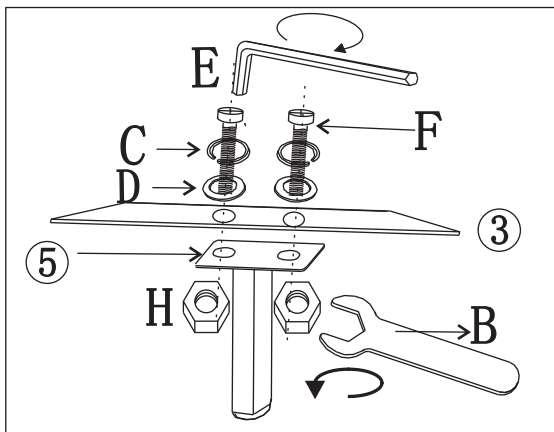
Step 1



Step 2



Step 3



Step 4

