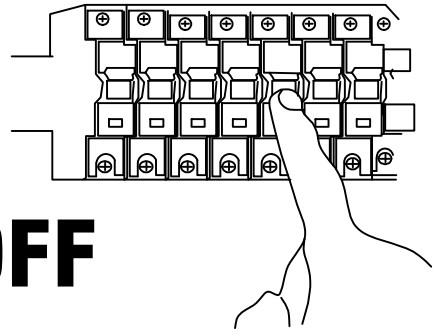


1



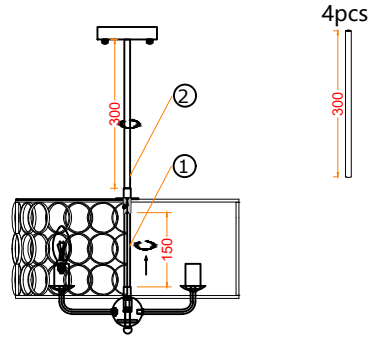
**OFF**

**STEPS**

Turn off the power

2

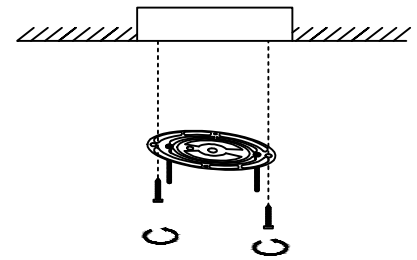
- ① Connect the lamp body and the outer frame together by using a circular tube
- ② Connect the discs together by using a circular tube.



**STEPS**

And then proceed to the next step, as shown in Figure 3

3

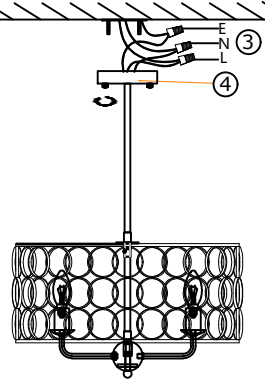


**STEP**

Install the hanging board on the ceiling, and then proceed to the next step, as shown in Figure 4

4

- black L
- white N
- Earth E

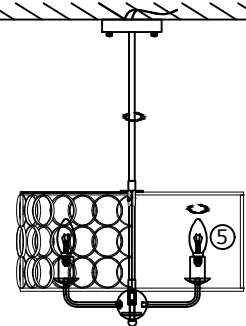


- ③ Connect the power cord of the lamp body to the reserved power cord (pay attention to the positive and negative poles)
- ④ Fix the lamp body on the ceiling with nuts

**STEPS**

And then proceed to the next step, as shown in Figure5

5



**STEPS**

- ⑤ Twist the light bulb onto the lamp body

The installation is complete

## Caution:

- Advertencia:
- 1.Voltage: 110V-130V
  - 2.Bulb Model: E12 / MAX-60W
  - 3.Before installation, please check whether the accessories are complete,If you have any problem, please contact our customer service in time
  - 4.Before installation, please cut off the power supply to prevent electric shock.
  - 5.Please be sure the installation according to the company's instructions.

