

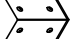
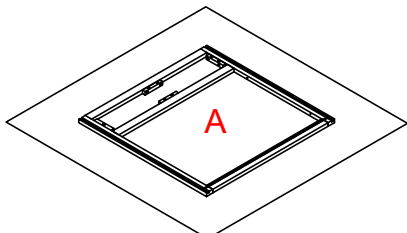


# Base Cabinet Assembly Instruction

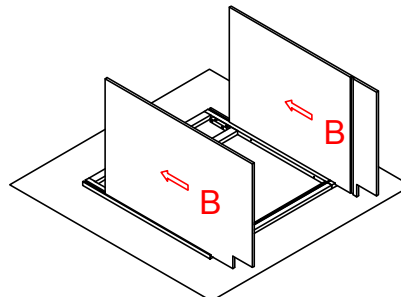
Hard Ware List	1   3PCS   $\varnothing 4 \times 25\text{mm}$	5   56PCS   $\varnothing 4 \times 12\text{mm}$	6   14PCS
	Flat head screw	Flat head screw	Corner brackets
			

Cabinet Parts List	A	Frame	B	Side panels(2)	C	Bottom panel	D	Back panel	E	Toe kick	G	Door(2)
	H	Drawer front										

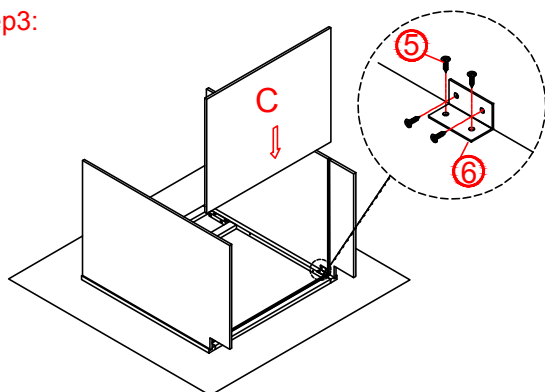
**Step1:**



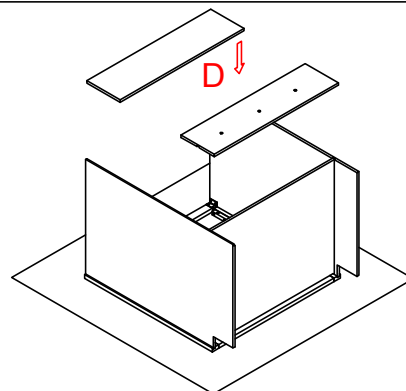
**Step2:**



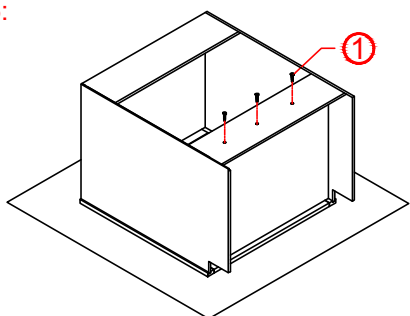
**Step3:**



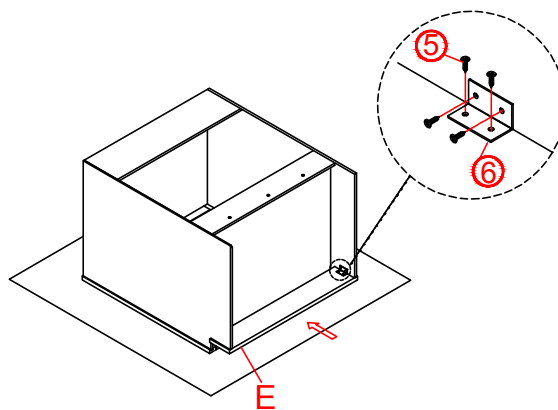
**Step4:**



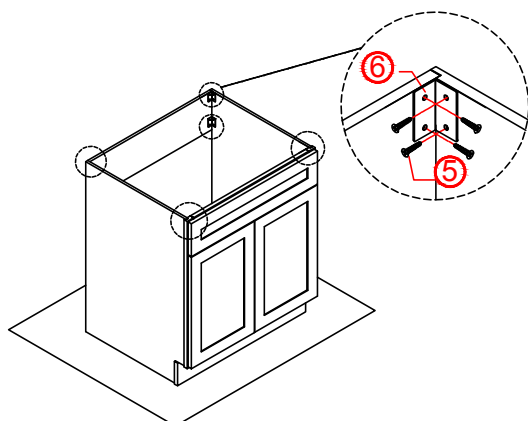
**Step5:**



**Step6:**



**Step7:**



**Step8:**

