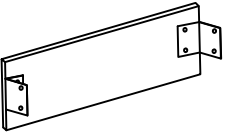
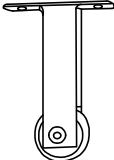
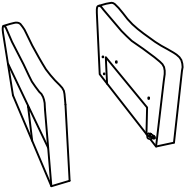
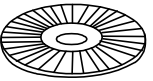
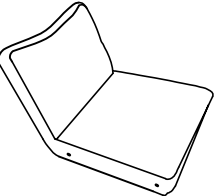
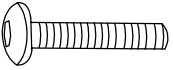
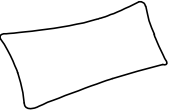

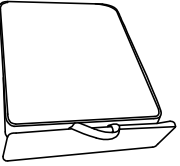


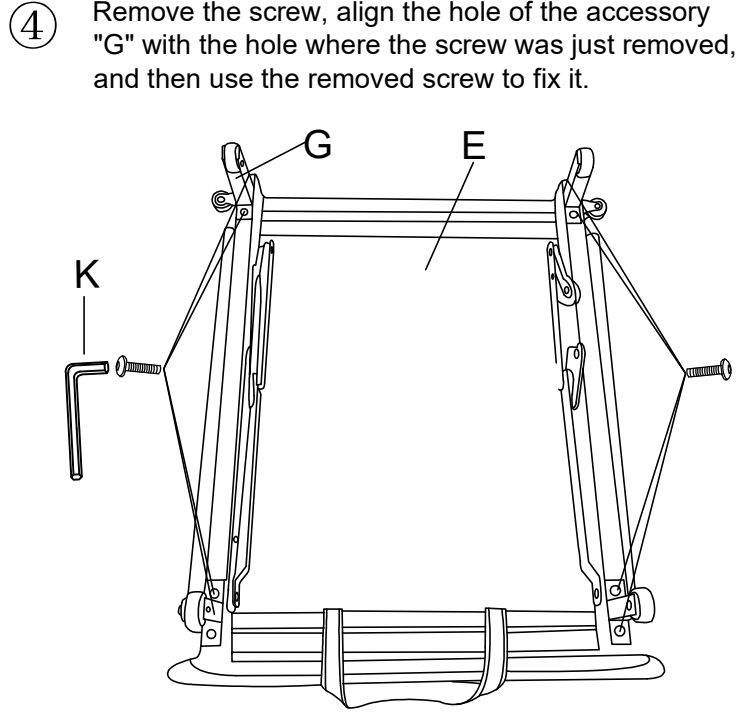
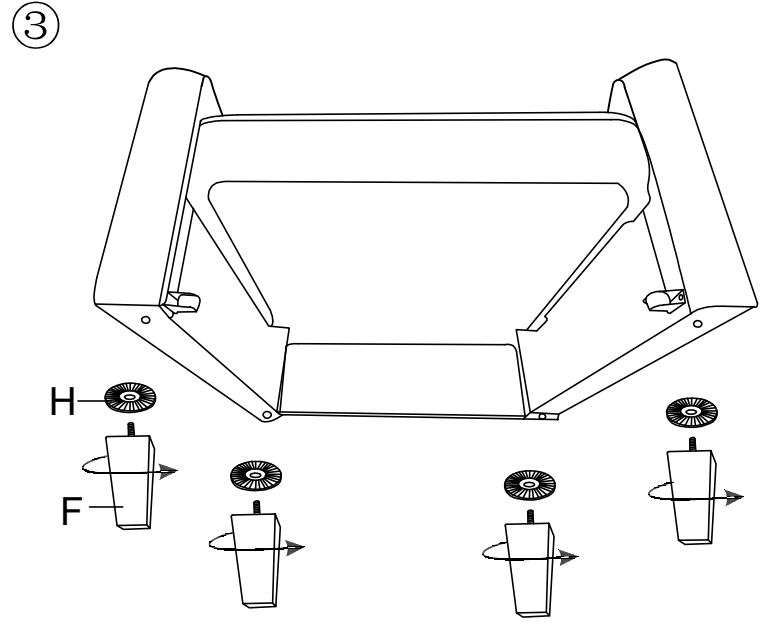
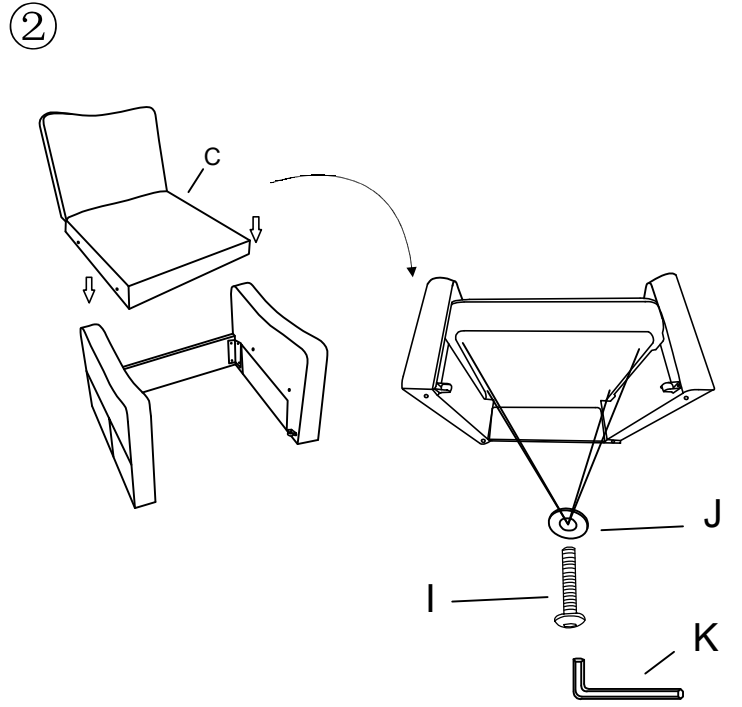
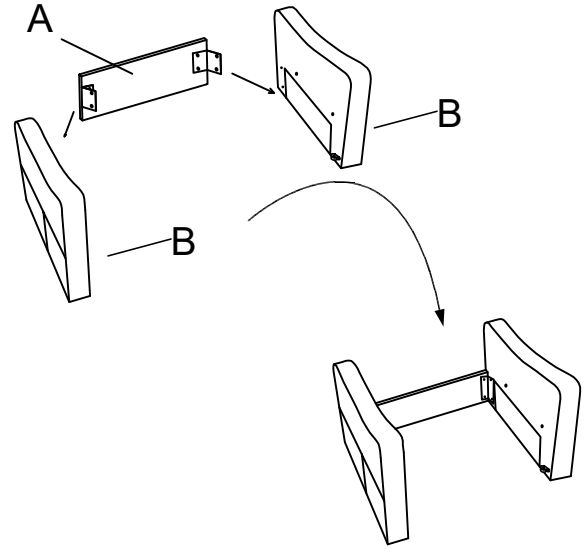


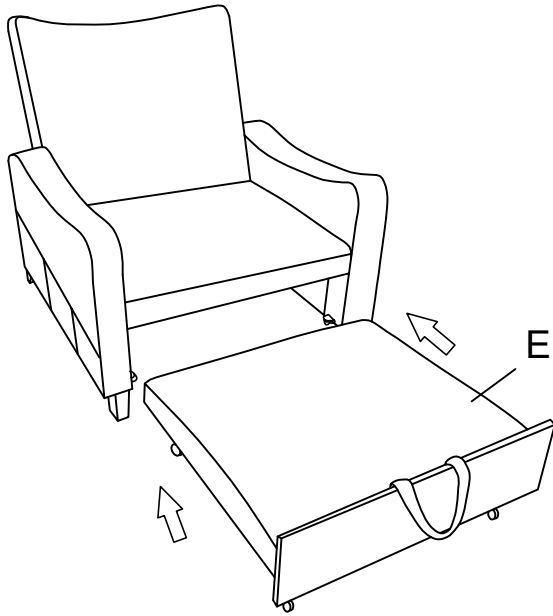
Assembly Instructions

Ax1 	Gx4 
Bx2 	Hx4 
Cx1 	Ix4  M6*50mm
Dx1 	Jx4  φ22mm
Ex1 	Kx1 
Fx4 	

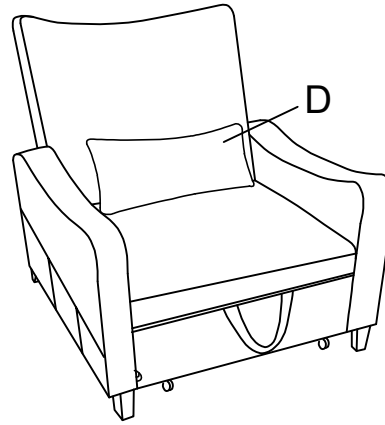
① First, unscrew the screws on the armrest. Align the iron plate holes on "A" with the holes of the just unscrewed screws. Then install the screws and tighten them.



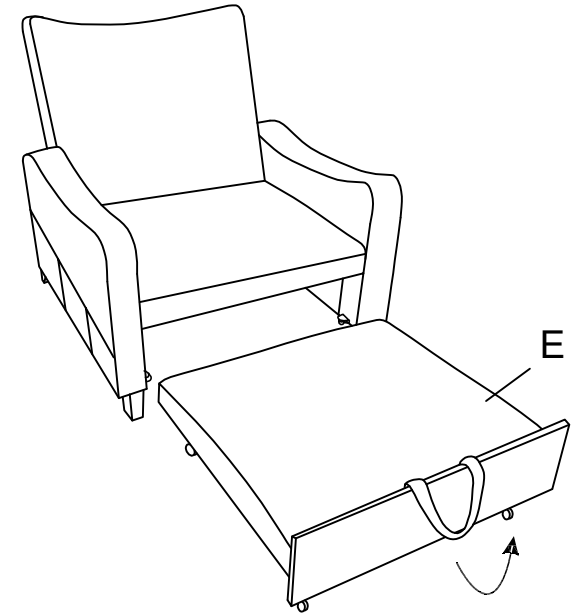
5



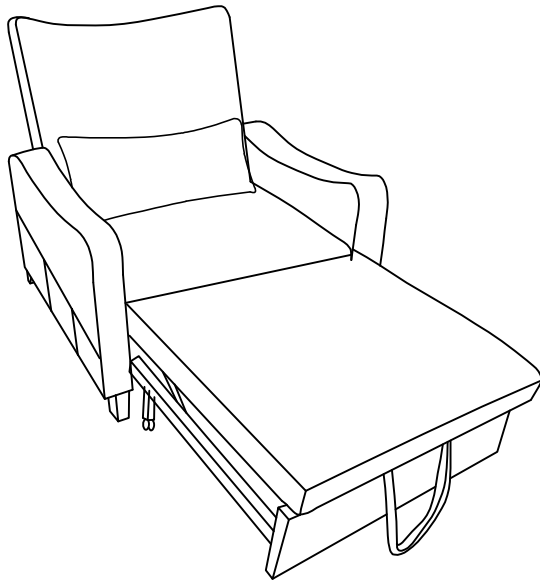
6



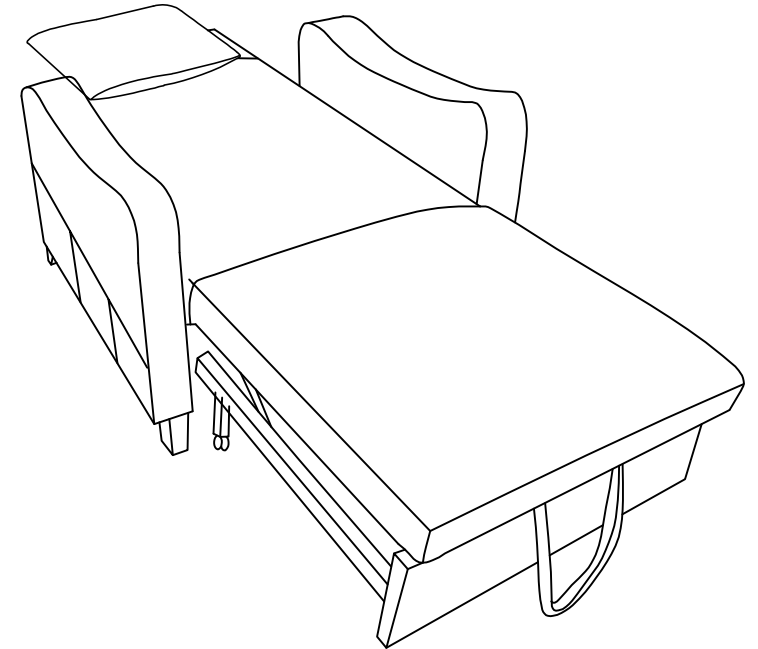
7



8



9



Please note: We provide fast after-sales service, don't worry if there is something wrong with the package you received. Please contact us first, we will reply you in time!