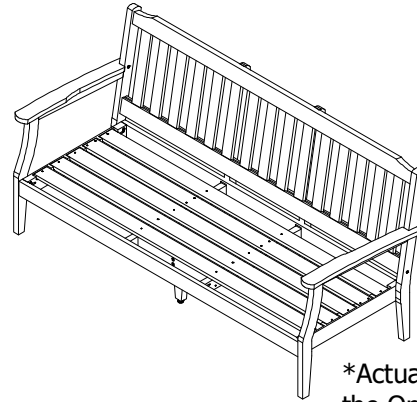
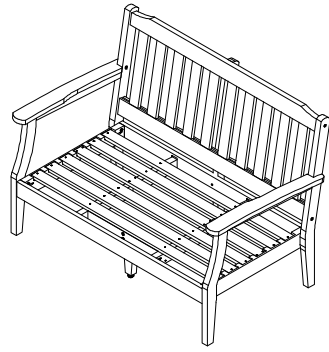


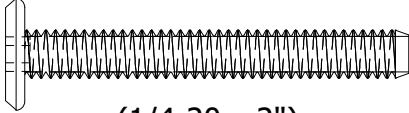
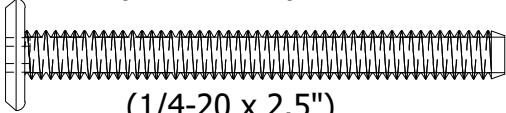
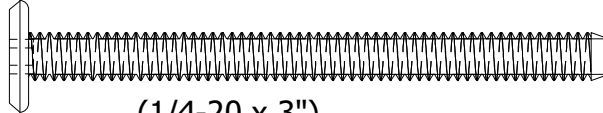
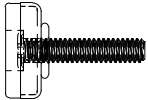
Deep Seating Loveseat & Sofa

Assembly Guide

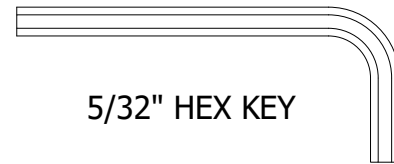


*Actual Style May Vary from the One Pictured in this Guide

HARDWARE INCLUDED

- A**  Qty: 12
(1/4-20 x 2")
- B**  Qty: 6
(1/4-20 x 2.5")
- C**  Qty: 2
(1/4-20 x 3")
- D**  Qty: 3
(Leveling Foot)

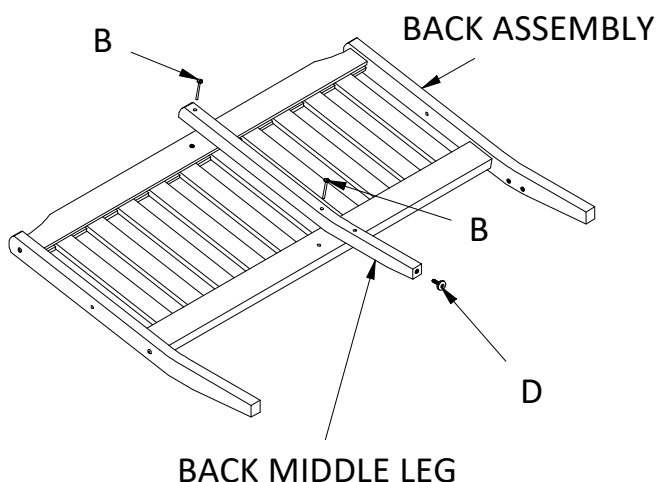
TOOLS INCLUDED



5/32" HEX KEY

IMPORTANT!

DO NOT fully tighten bolts until all bolts are started.



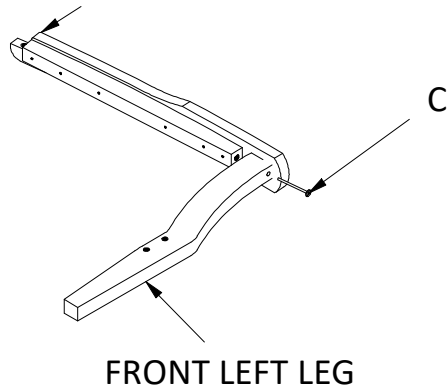
STEP 1

Lay the Back Assembly on the ground and attach the Back Middle Leg with (2) B Bolts. **(If you are building the Sofa you will have (2) Back Middle Legs and (6) B bolts.)**

STEP 2

Attach (1) D Leveling foot to the Back Middle Leg. (Adjust height as needed) **(If you are building the Sofa you will have (2) D Leveling Feet)**

LEFT ARM ASSEMBLY



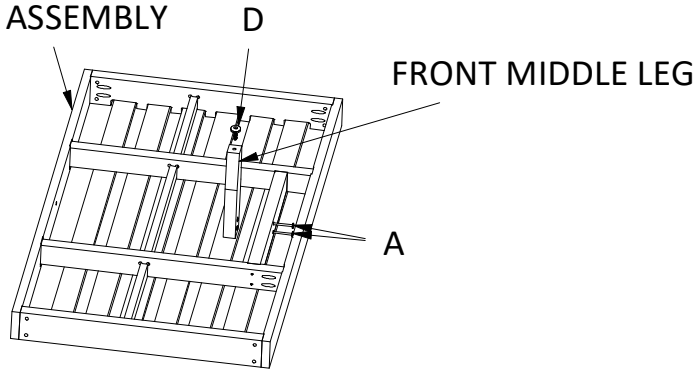
STEP 3

Attach the Front Left Leg to the Left Leg Assembly using (1) C bolt.

STEP 4

Repeat Step 3 for attaching the Front Right Leg & Right Arm Assembly.

SEAT ASSEMBLY



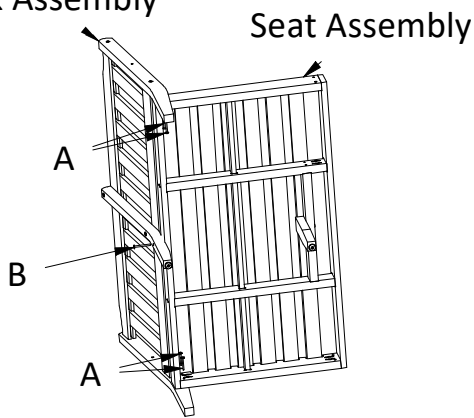
STEP 5

Attach the Front Middle Leg to the Seat Assembly using (2) A Bolts.

STEP 6

Attach (1) D Leveling foot to the Front Middle Leg. (Adjust height as needed)

Back Assembly



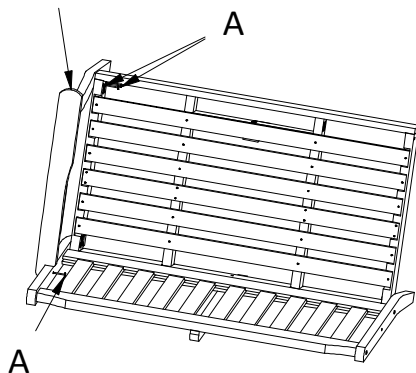
STEP 7

Attach the Back Assembly to the Seat Assembly using (1) B Bolt & (4) A Bolts As Shown.

STEP 8

If you are Building a Sofa you will you Have (2) B Bolts.

Left Arm Assembly



STEP 9

Attach the Left Arm Assembly Using (3) A Bolts as shown.

STEP 10

Repeat Step 9 on the other side.