

SERVICE SINK K-12867

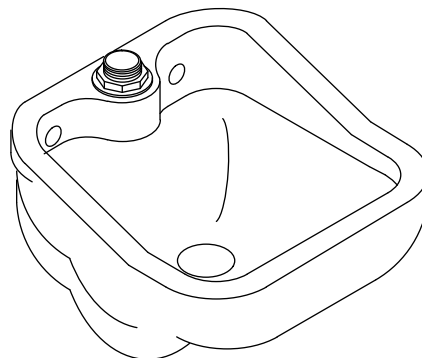
Features

- Vitreous china
- 1-1/2" (38 mm) top stud
- Blow-out action flushing rim
- 21-1/2" (546 mm) x 25" (635 mm)

Codes/Standards Applicable

Specified model meets or exceeds the following:

- ASME A112.19.2/CSA B45.1



Colors/Finishes

- 0: White

Accessories

- CP: Polished Chrome
- NA: None applicable

Specified Model

Model	Description	Colors/Finishes
K-12867	Service sink	<input type="checkbox"/> 0
Optional Accessories		
K-8935	Stainless steel rim guard	<input type="checkbox"/> NA
K-13864	Loose sink strainer	<input type="checkbox"/> CP

Product Specification

The service sink shall be 21-1/2" (546 mm) in length, and 25" (635 mm) in width with a 1-1/2" (38 mm) top stud. The sink shall be made of vitreous china. The sink shall have blow-out action flushing rim. The sink shall be Kohler Model K-12867-_____.

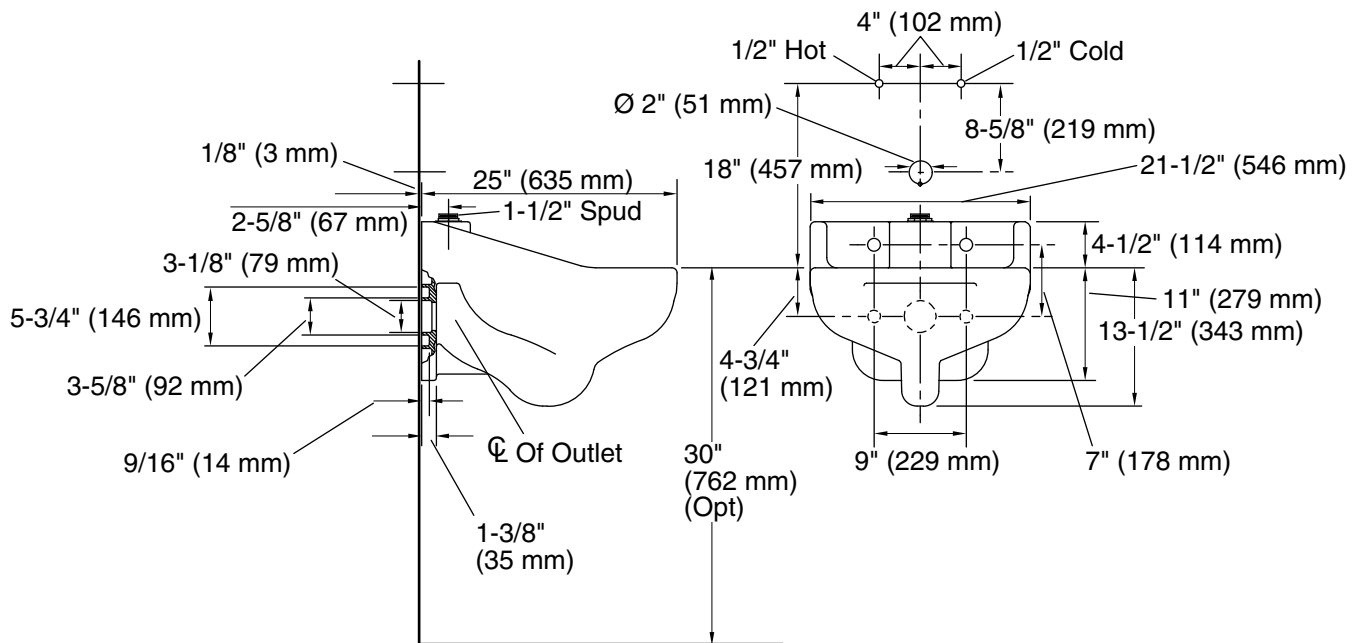
CAMERTON™

Technical Information

Fixture*:	
Sink	
Basin area	18" (457 mm) x 18" (457 mm)
Water depth	6-1/4" (159 mm)
Water surface	15" (381 mm) x 16" (406 mm)
Outlet	Ø 3-1/8" (79 mm)
Spud hole	Ø 2-1/4" (57 mm)
Passageway	Ø 2-5/8" (67 mm)
Minimum running pressure required	25 p.s.i.
* Approximate measurements for comparison only.	
Included component:	
1-1/2" (38 mm) top stud	18357

Installation Notes

Install this product according to the installation guide.



Product Diagram