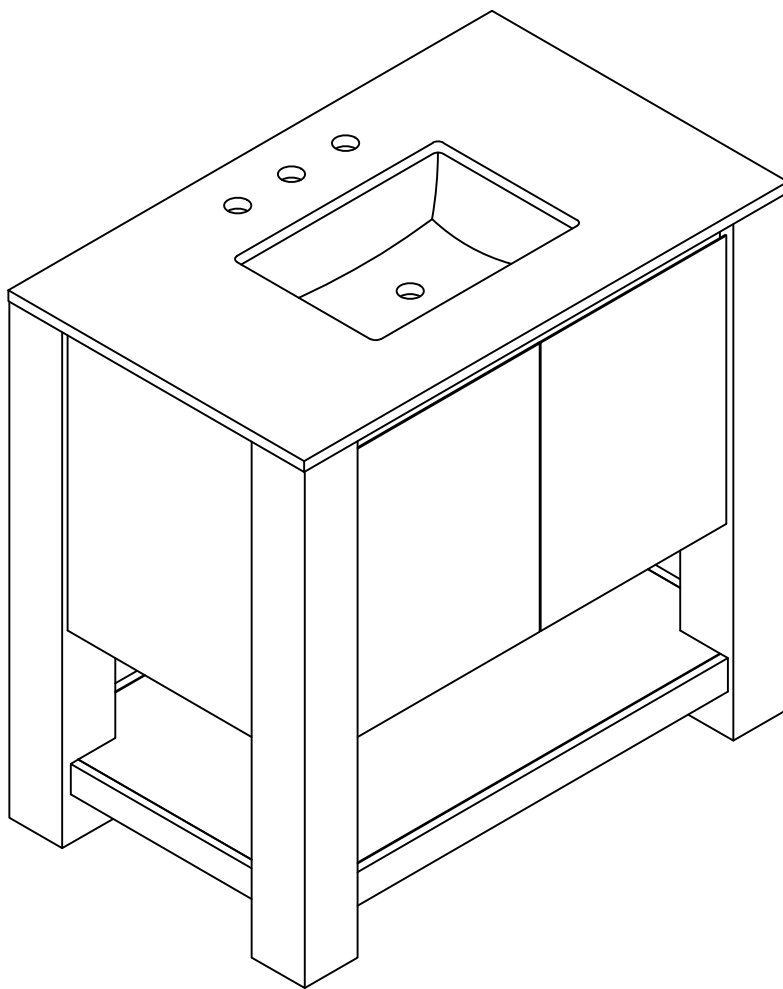


36" SINGLE VANITY

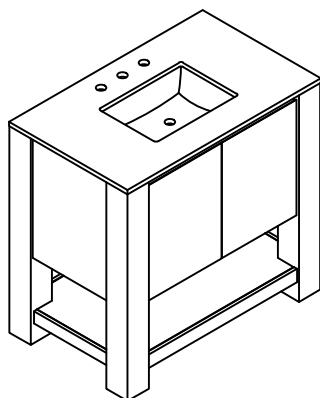
Assembly Instructions



Every thing we make is incredibly simple to set up, including your new vanity. You won't need any additional tools.

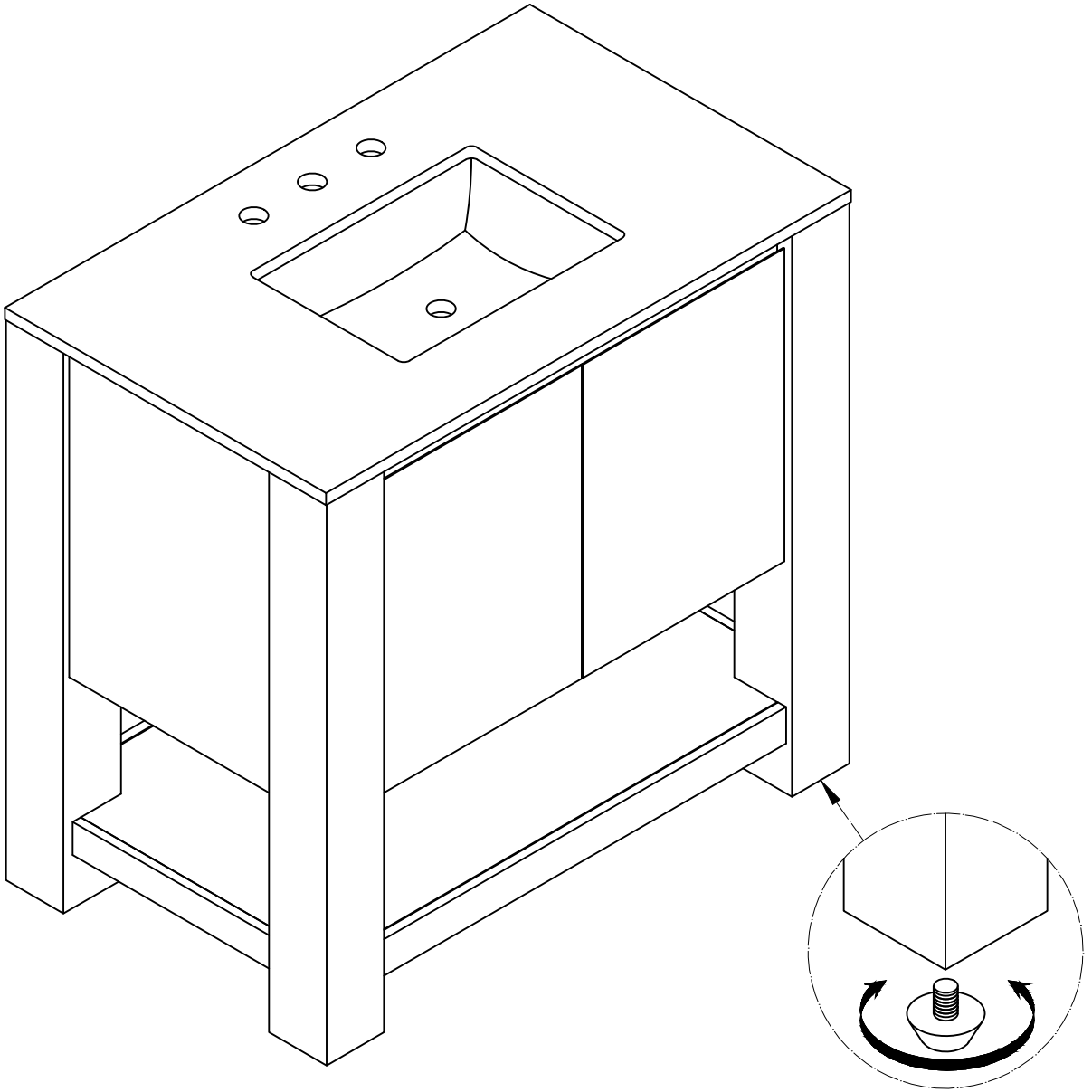
Parts List

A x 1
MAIN BODY



1

Adjust the levelers on the bottom of the feet as needed to make the Vanity Body (A) level.



Place the Vanity in the place where you will use it. We'd love to see it – just tag us and use on Instagram!

