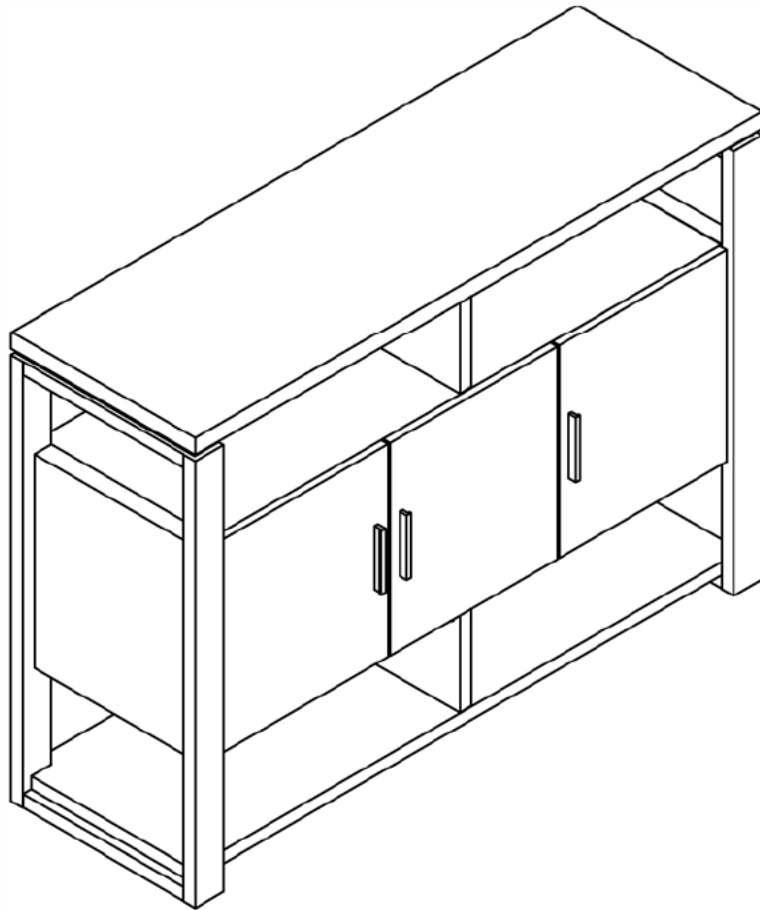


# ASSEMBLY INSTRUCTION

---



# ASSEMBLY INSTRUCTION

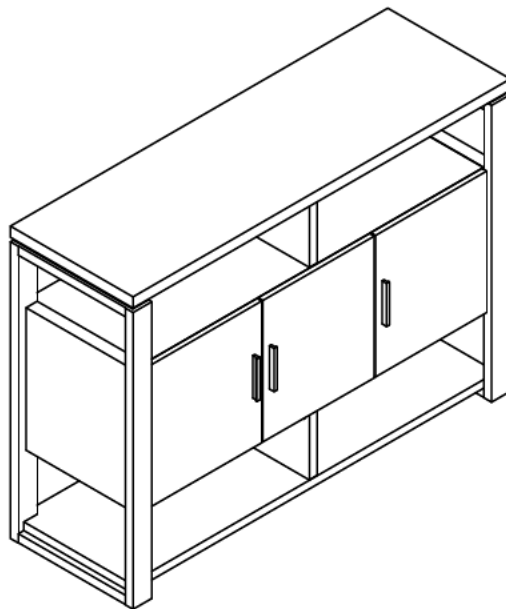
---

## PLEASE READ BEFORE ASSEMBLING!

Tip #1: Make sure you've taken all the pieces and hardware out of its packaging before discarding the box.

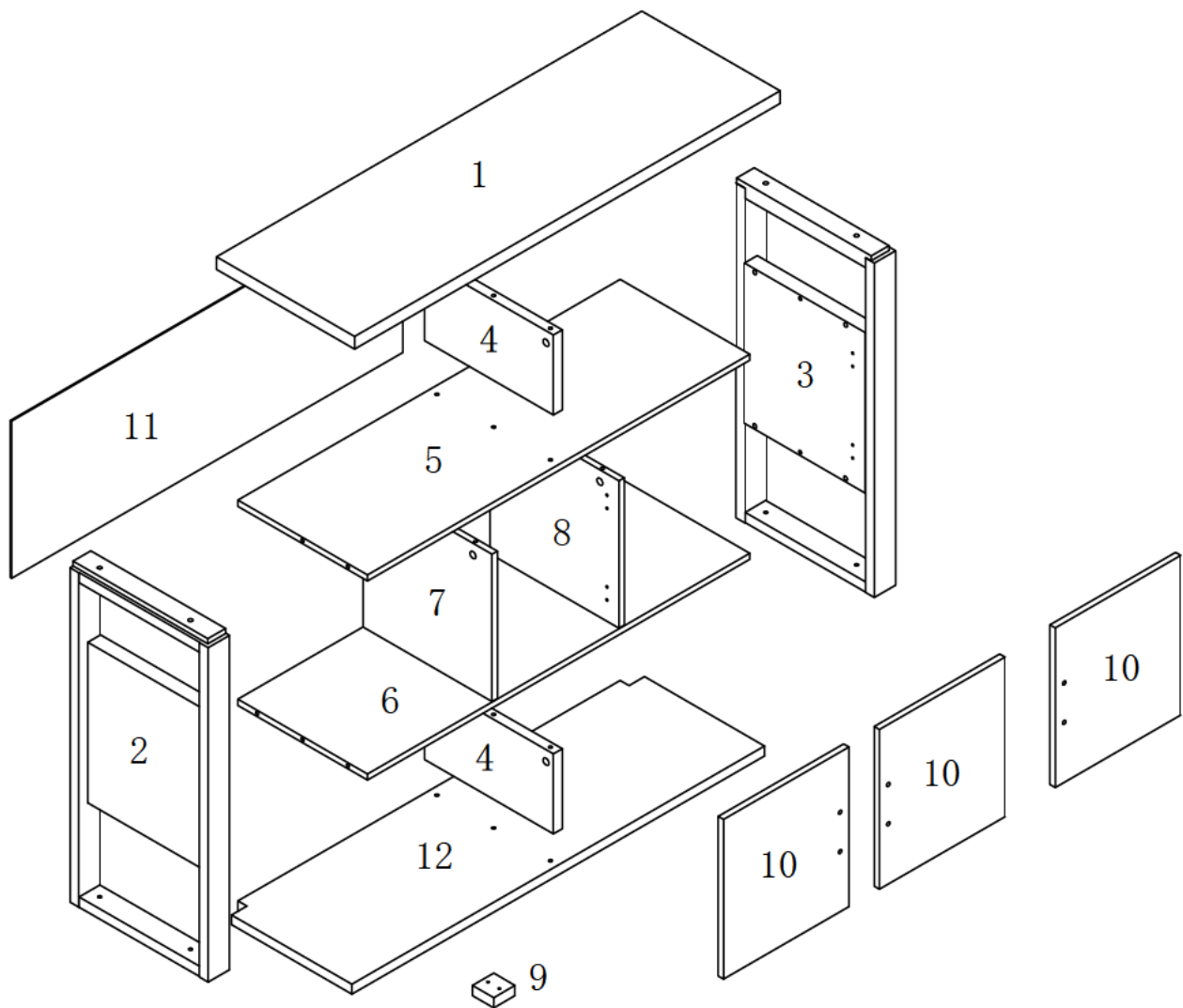
Tip #2: Using page 2 and/or page 3 of instruction manual make sure all pieces and hardware are accounted for.

Tip #3: Read manual before assembling, it helps!



# PARTS IDENTIFICATION




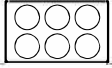




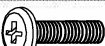





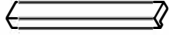




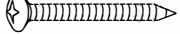

---



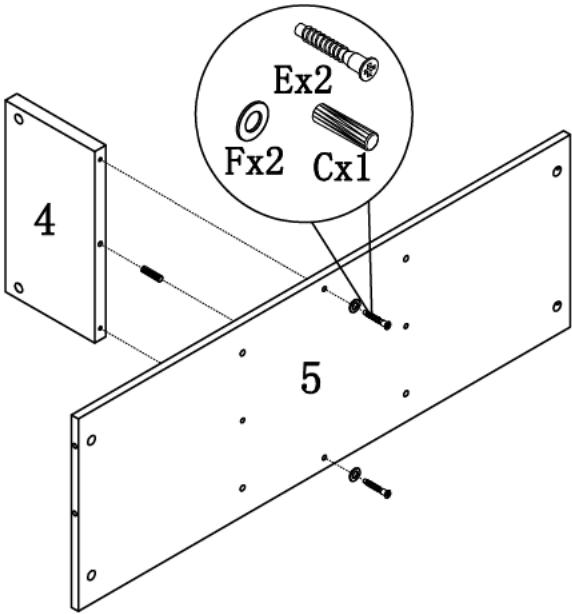
(1)	1pc	(7)	1pc
(2)	1pc	(8)	1pc
(3)	1pc	(9)	1pc
(4)	2pcs	(10)	3pcs
(5)	1pc	(11)	1pc
(6)	1pc	(12)	1pc

# HARDWARE IDENTIFICATION

---

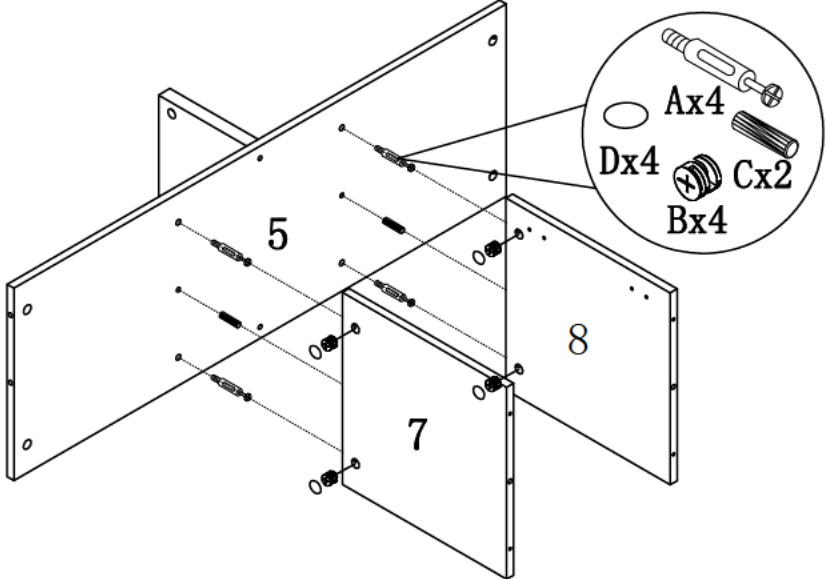
A		L29	16pcs
B		Ø15	16pcs
C		Ø8x25	12pcs
D		Ø22	8pcs
E		Ø7x48	4pcs
F		Ø8xØ16x2	4pcs
G		Ø4x40	6pcs
H		M6x30	4pcs
I		M6x45	4pcs
J		Ø16	5pcs
K			28pcs
L		301B	2pcs
M		301C	4pcs
N		Ø4x16	24pcs
O		96#	3pcs
P		Ø4x22	6pcs
Q		197x5x1	1pc
R		Ø8x40	1pc
S		12x12x1	2pc
T		Ø5x40	1pc
U		Ø4x25	1pc

# ASSEMBLY INSTRUCTION

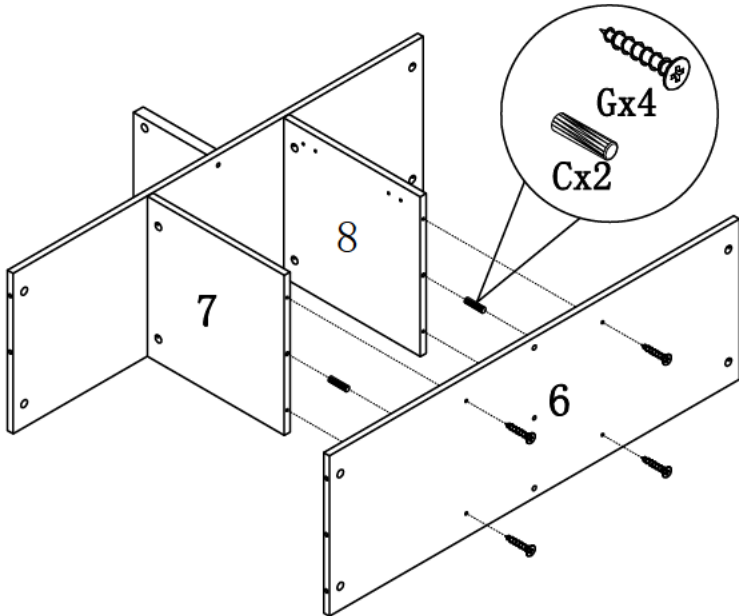


STEP1

STEP2

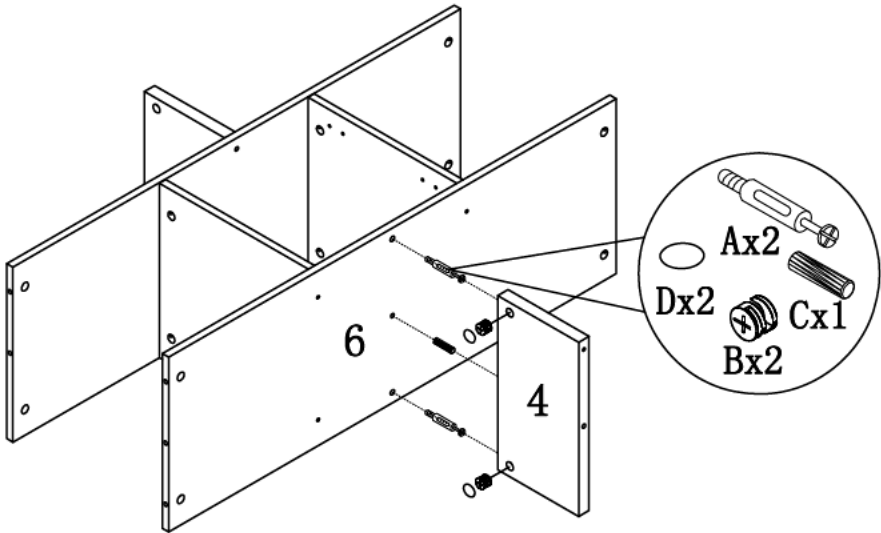


# ASSEMBLY INSTRUCTION



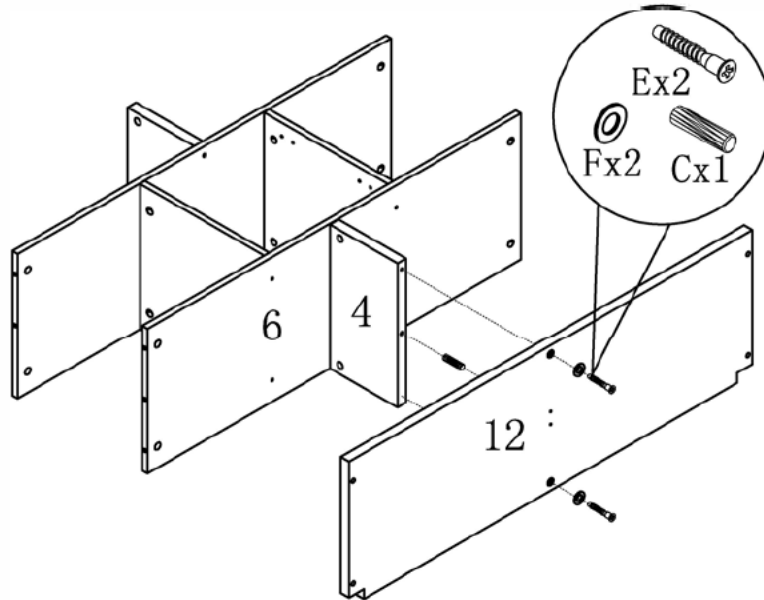
STEP3

STEP4



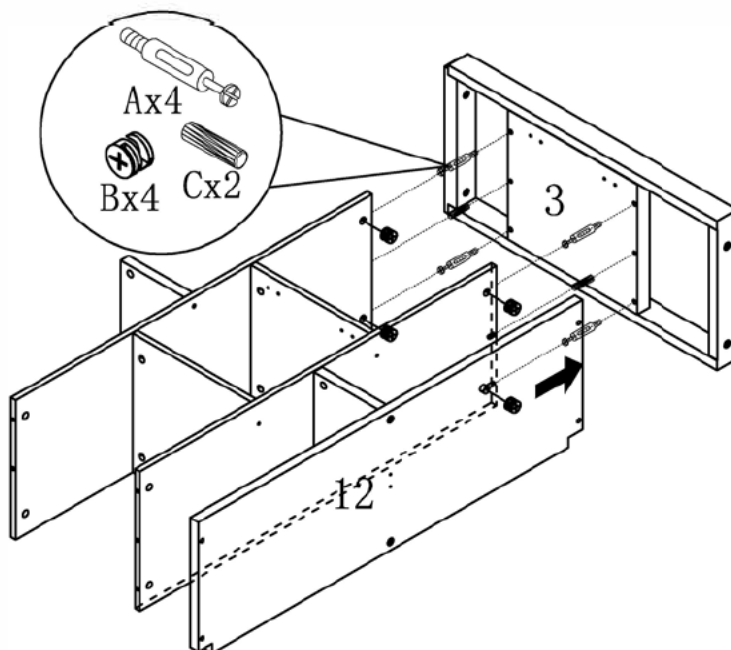
# ASSEMBLY INSTRUCTION

---



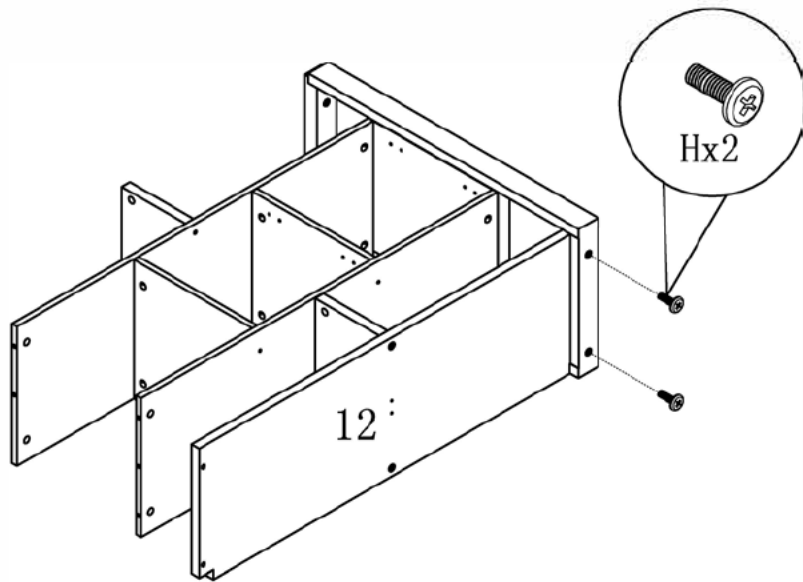
STEP5

STEP6



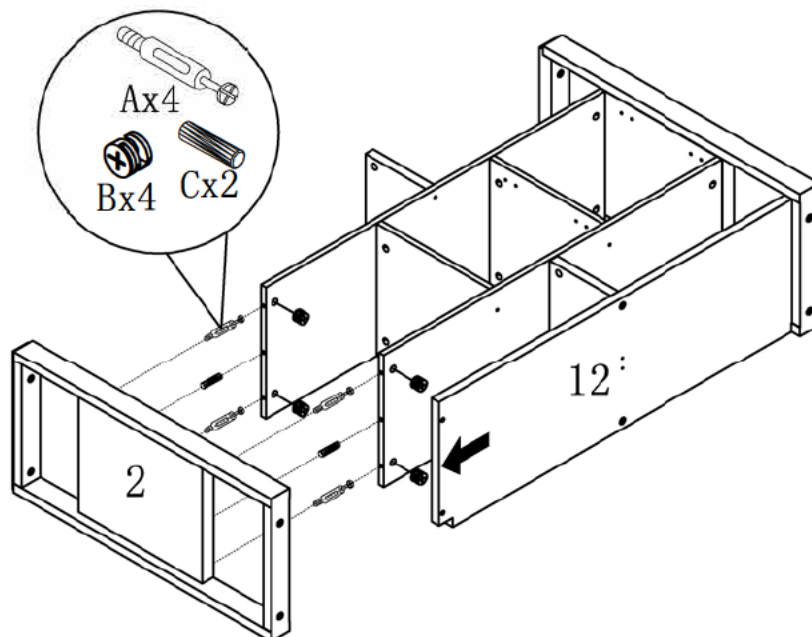
# ASSEMBLY INSTRUCTION

---



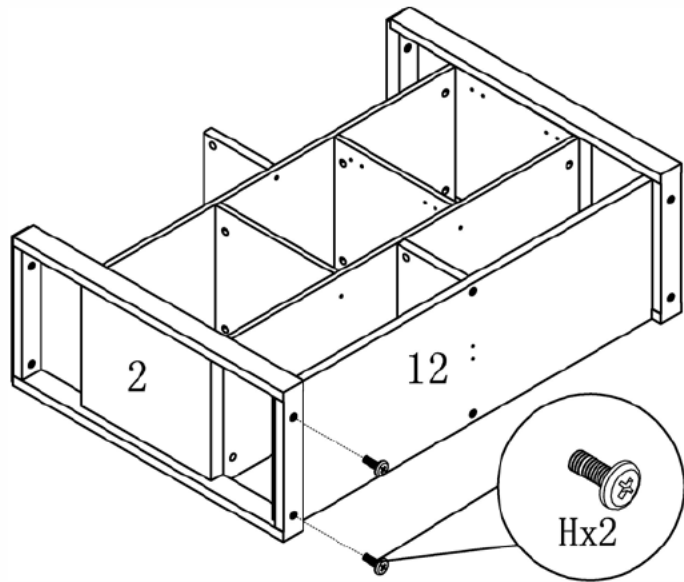
STEP7

STEP8



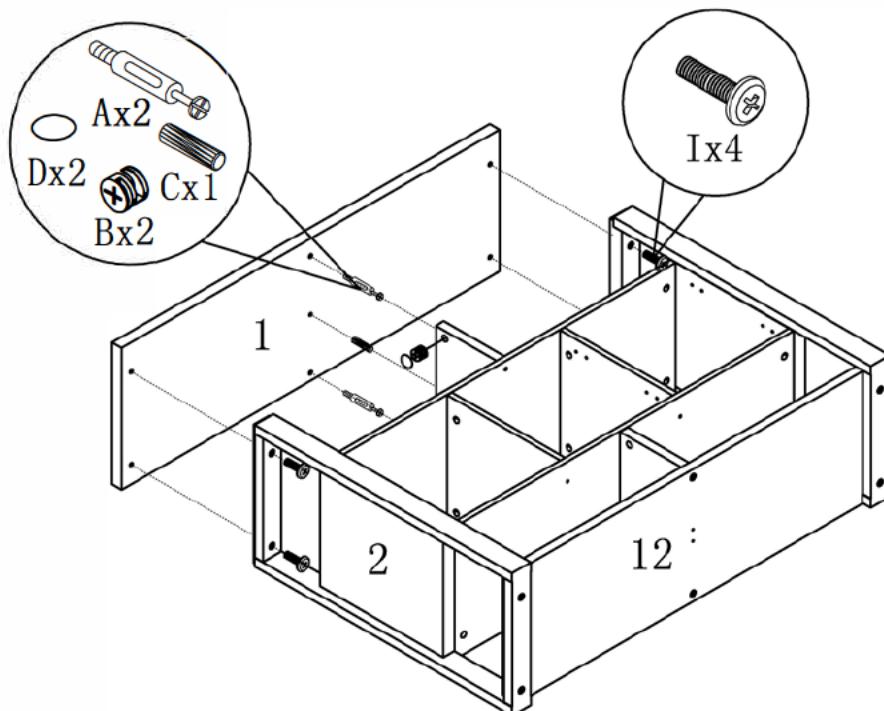
# ASSEMBLY INSTRUCTION

---



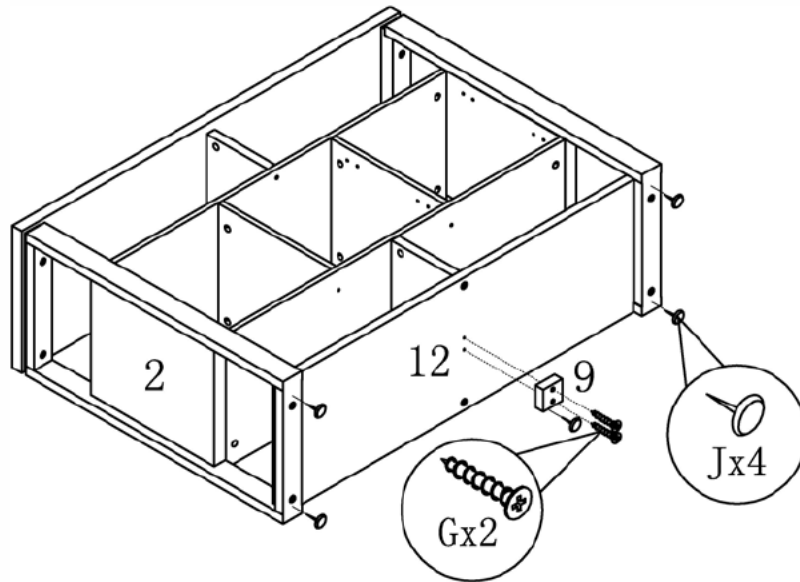
STEP9

STEP10



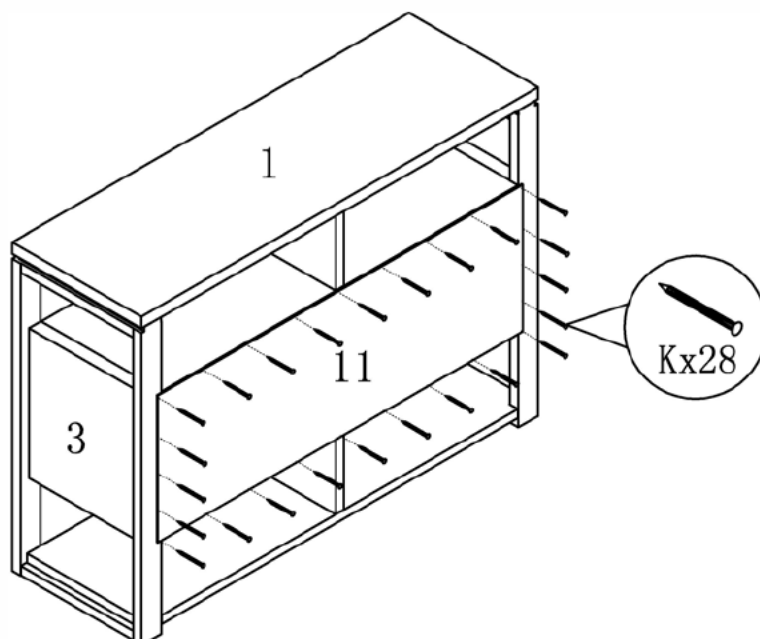
# ASSEMBLY INSTRUCTION

---

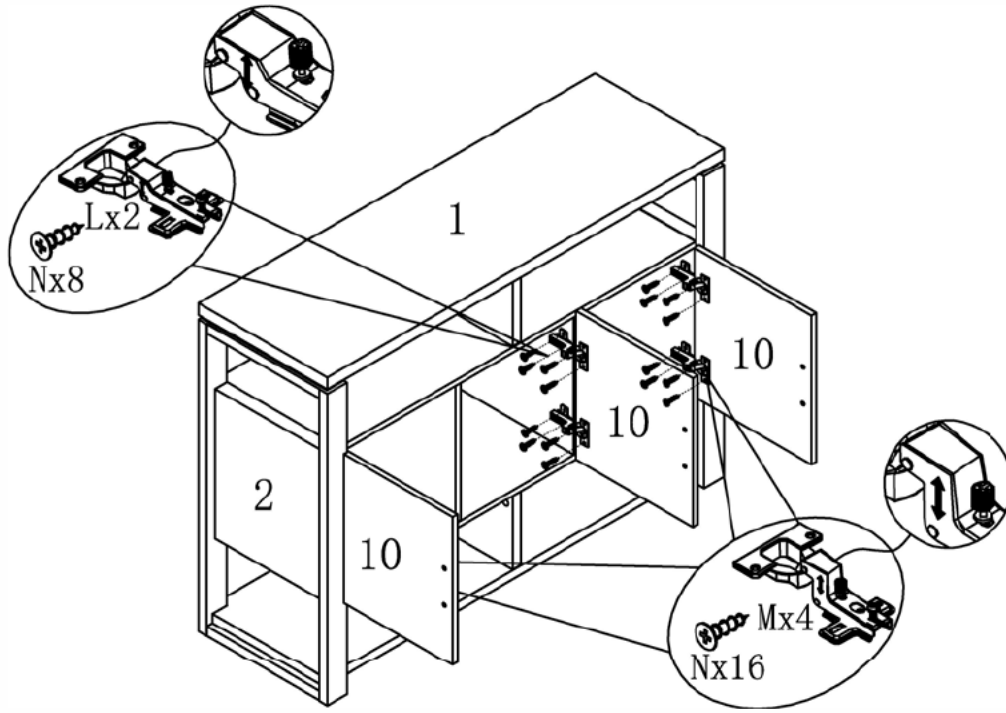


STEP11

STEP12

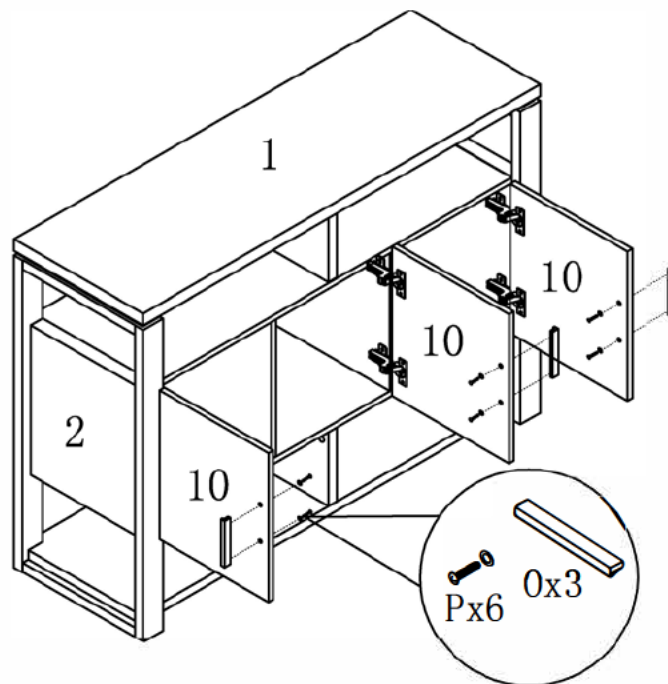


# ASSEMBLY INSTRUCTION



STEP13

STEP14



# ANTI-TIPPING STRAP INSTRUCTION

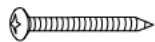
## HARDWARE (INCLUDED) :



DRYWALL ANCHOR  $\phi 8 \times 40$  X 1PC



METAL BRACKETS  $12 \times 12 \times 1$  X 2PCS



DRYWALL SCREW  $\phi 5 \times 40$  X 1PC

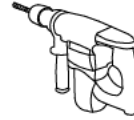


STRAP  $197 \times 5 \times 1$  X 1PC



FLATHEAD SCREW  $\phi 4 \times 25$  X 1PC

## TOOLS NEEDED ( NOT INCLUDED) :



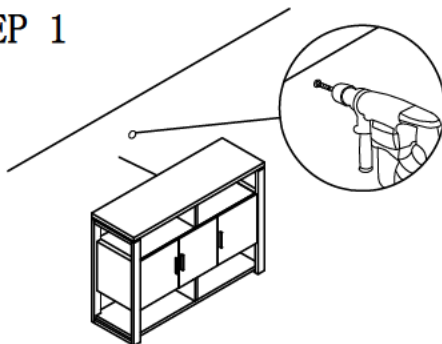
DRILL & DRILL BIT



LIGHT HAMMER

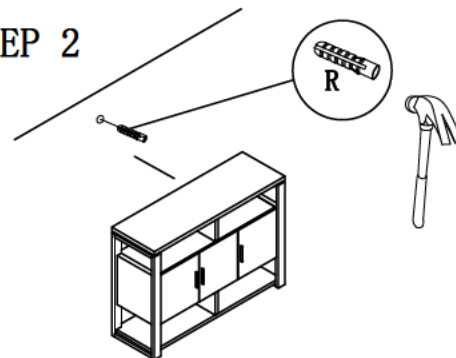
Note: Hardware included only compatible with standard drywalls.

### STEP 1



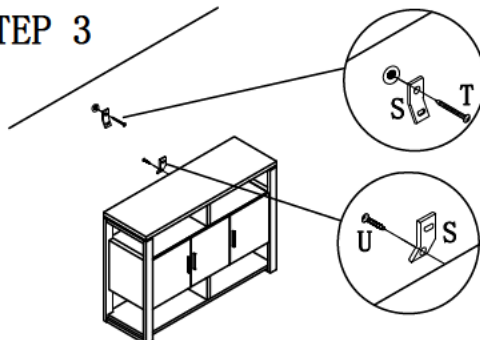
1. Find spot on wall 1" below top of item.
2. Using a drill bit slightly thinner than anchor, drill hole into drywall.

### STEP 2



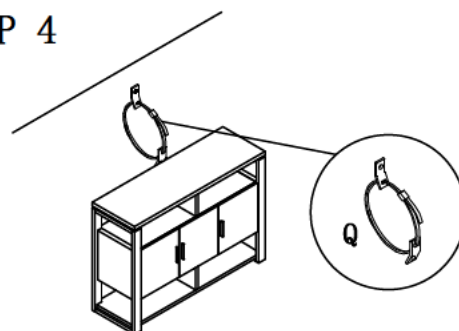
1. Use a light hammer to tap anchor into hole.
2. Anchor should fit snugly. If hole is too small, drill again to increase hole size. Do not force anchor into wall.

### STEP 3



1. Insert drywall screw into metal bracket and into drywall anchor.
2. Insert flathead screw into second metal bracket and into back of item along top edge.

### STEP 4



1. Insert strap thru bracket attached to wall, then thru bracket on item, and into head of strap.
  2. pull lightly til strap stops.
- Assembly is complete.