

## NOTICE

\*Please make sure that you have all parts indicated and they are in good condition before you begin assembly of this item. Refer to part list and hardware list below for guidance.

\*This item should be assembled on a soft surface to prevent scratching the finish during assembly.

\*This item may require periodic tightening.

\*If you are having difficulty, our friendly Customer Care team is always here to help.

## PREPARATION

\*Before beginning assembly of product, make sure all parts are present. Compare parts with part contents list and hardware contents list.

\*If any part is missing or damaged, do not attempt to assemble the product.

\*Estimated Assembly Time: 60 minutes.

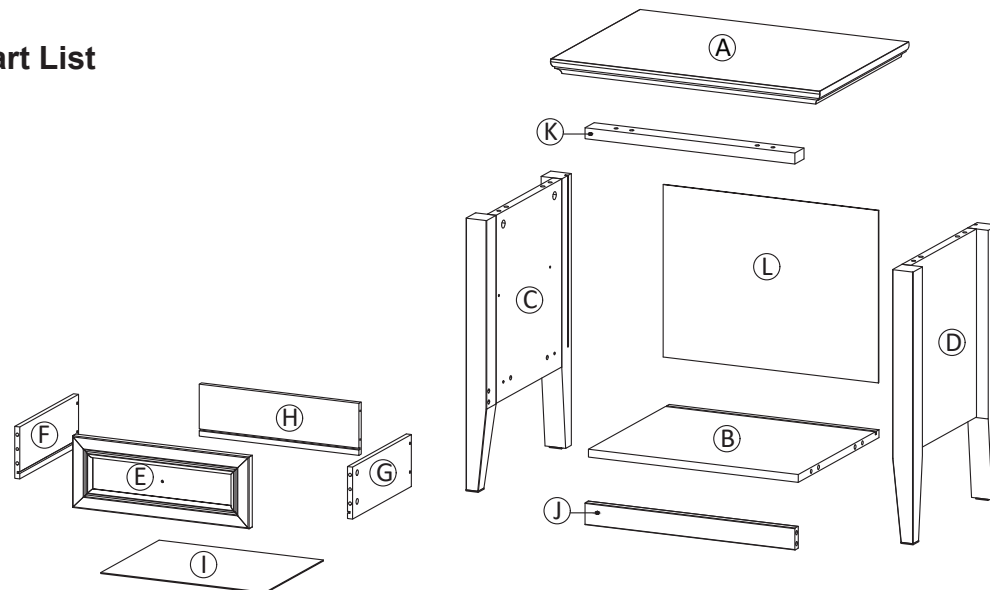
\*Tools Required for Assembly (included): Allen Key

## CARE AND MAINTENANCE

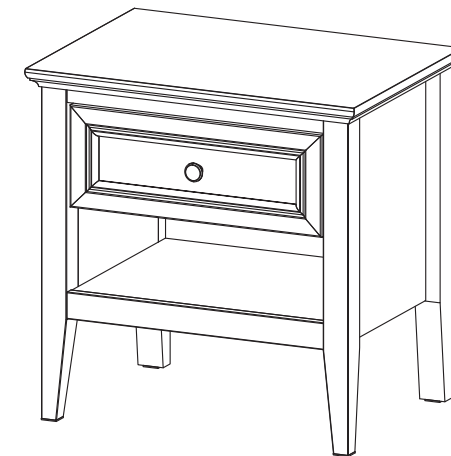
Always use felt pads under all articles to prevent discoloration or softening of the lacquer.

Plastic and rubber bases on items can discolor wood. Wipe up spills immediately and avoid common hazards such as hot dishes, harsh solvents and abrasives. Cleaning should be done with a soft lint free cotton cloth dampened with water or furniture polish. On highly used surfaces we recommend applying a quality paste wax which should be used on a regular basis to provide additional protection from scratches and spills. How often you apply the wax depends on how much wear the furniture receives.

### Part List



**Product Dimensions: 22"Wx15"Dx22"H**



**WARNING :**

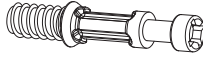


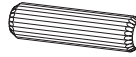

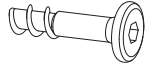

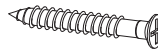
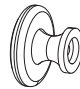
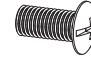






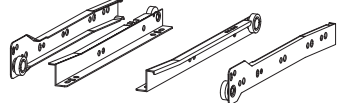
**WEIGHT CAPACITY: 31 LBS.**

**DRAWER LOAD CAPACITY 15 LBS**

**Warning : Do not stand on chest.**

**Warning : Do not over torque bolts.**

**Hardware List**

<p><b>HW1x12</b></p>  <p>∅ 6 x 35 mm</p>	<p><b>HW2x8</b></p>  <p>∅ 15 mm</p>	<p><b>HW3x4</b></p>  <p>∅ 12 mm</p>	<p><b>HW4x12</b></p>  <p>∅ 8 x 30 mm</p>	<p><b>HW5x2</b></p>  <p>∅ 6 x 30 mm</p>
<p><b>HW6x2</b></p>  <p>∅ 6.4 x 25 mm</p>	<p><b>HW7x4</b></p>  <p>M 6 x 10.5 mm</p>	<p><b>HW8x4</b></p>  <p>M 8 x 39 mm</p>	<p><b>HW9x1</b></p> 	<p><b>HW10x1</b></p>  <p>M 4 x 12 mm</p>
<p><b>HW11x1</b></p> 	<p><b>HW12x6</b></p>  <p>M 3.5 x 13 mm</p>	<p><b>HW13x8</b></p> 	<p><b>HW14x8</b></p>  <p>M 3.5 x 15.5 mm</p>	<p><b>HW15x4</b></p> 
<p><b>HW16x2</b></p>  <p>∅ 8 x 20 mm</p>	<p><b>HW RM30Ax1</b></p> 			

## Part List & HW For Multi-Box Items

Piece	Description	Qty
A	Top Board	1
B	Bottom Board	1
C	Side Board Left	1
D	Side Board Right	1
E	Front Drawer	1
F	Side Drawer Left	1
G	Side Drawer Right	1
H	Back Drawer	1
I	Bottom Drawer	1
J	Front Skirt 2	1
K	Front Skirt 1	1
L	Back Board	1

Piece	Description	Qty
HW1	Cambolt	12
HW2	CamLock Big	8
HW3	CamLock Small	4
HW4	Dowel Big	12
HW5	Dowel Middle	2
HW6	Screw M 6.4 x 25 mm	2
HW7	Screw M 6 x 10.5 mm	4
HW8	Screw M 8 x 39 mm	4
HW9	Handle	1
HW10	Screw M 4 x 12 mm	1
HW11	Allen Key	1
HW12	Screw M 3.5 x 13 mm	6
HW13	Wedge	8
HW14	Screw M 3.5 x 15.5 mm	8
HW15	Floor Protector	4
HW16	Dowel Small	2
HW RM30A	Drawer Runner	1

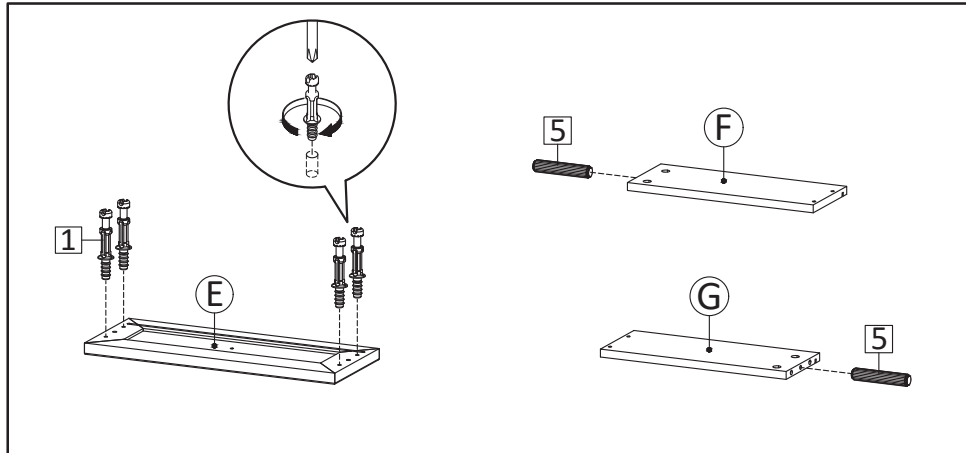
# PREPARATION

\*Before beginning assembly of product, make sure all parts are present. Compare parts with part contents list and hardware contents list.

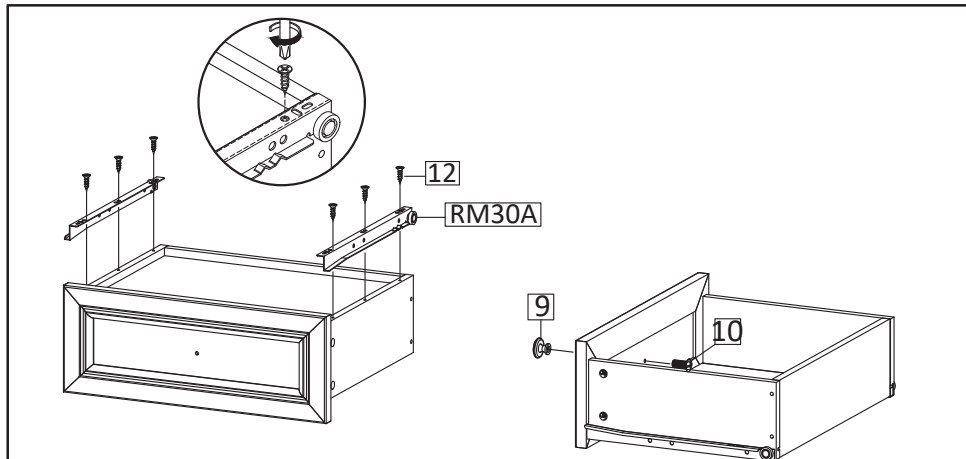
\*If any part is missing or damaged, do not attempt to assemble the product.

\*Estimated Assembly Time: 60 minutes.

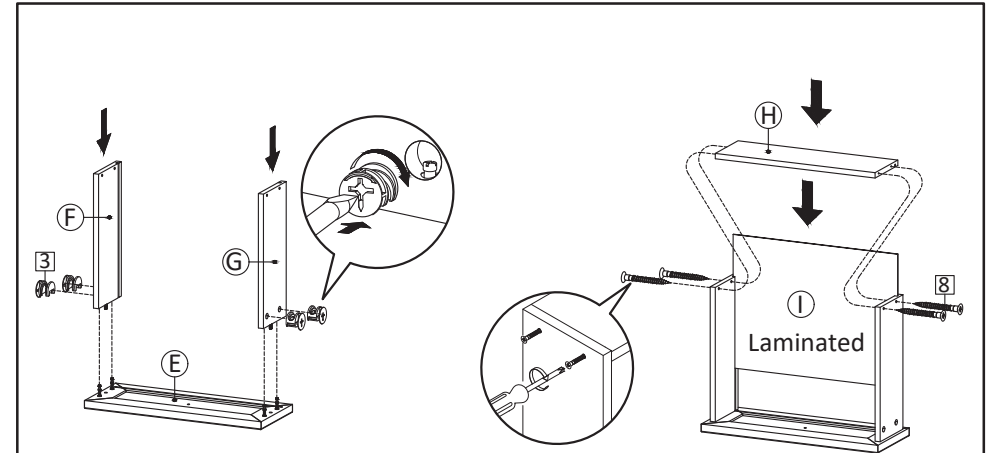
\*Tools Required for Assembly (included): Allen Key



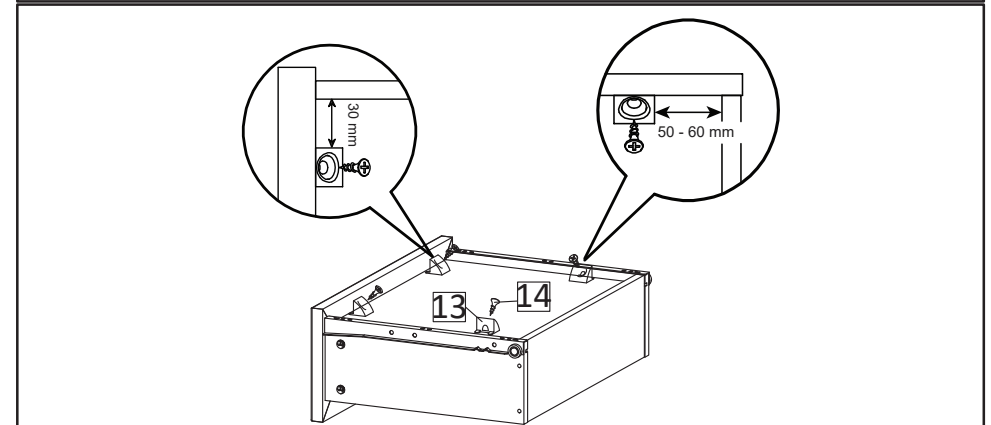
**STEP1:** Insert Cambolt (HW1) into Front Drawer (E). Insert Dowel Middle (HW5) into Side Drawers (F&G).



**STEP3:** Use Screw M4x12mm (HW10) to attach Handle (HW9) to the Front Drawer. Install the Drawer Runner (HW RM30A) into position as shown in picture. Secure with screws M3.5x13mm (HW12).



**STEP2:** Combine Side Drawers (F&G) into Front Drawer (E) then tighten Camlock Small (HW3) using screwdriver. Insert Bottom Drawer (I) with laminated face facing upward then put Back Drawer (H) and secure with Screw M8x39mm (HW8).



**STEP4:** Insert the Screw M3.5x15.5mm (HW14) and Wedge (HW13) into the bottom of the drawer according to the picture.

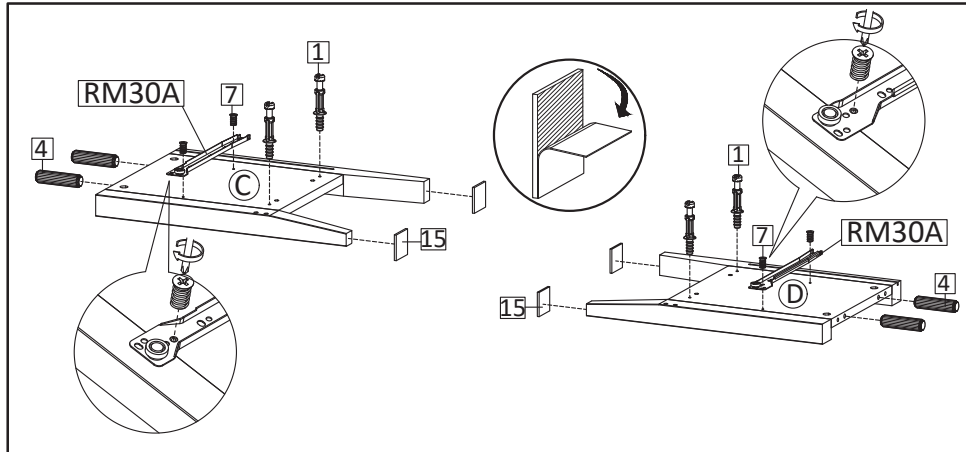
# PREPARATION

\*Before beginning assembly of product, make sure all parts are present. Compare parts with part contents list and hardware contents list.

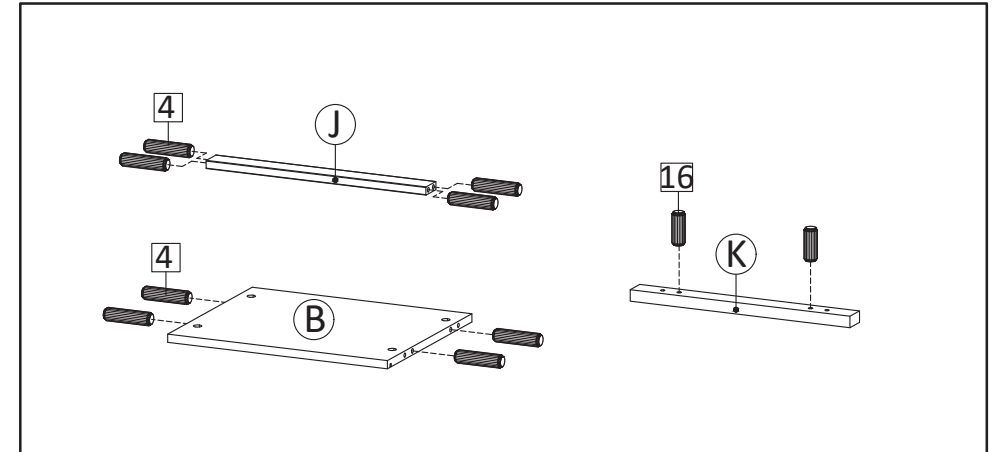
\*If any part is missing or damaged, do not attempt to assemble the product.

\*Estimated Assembly Time: 60 minutes.

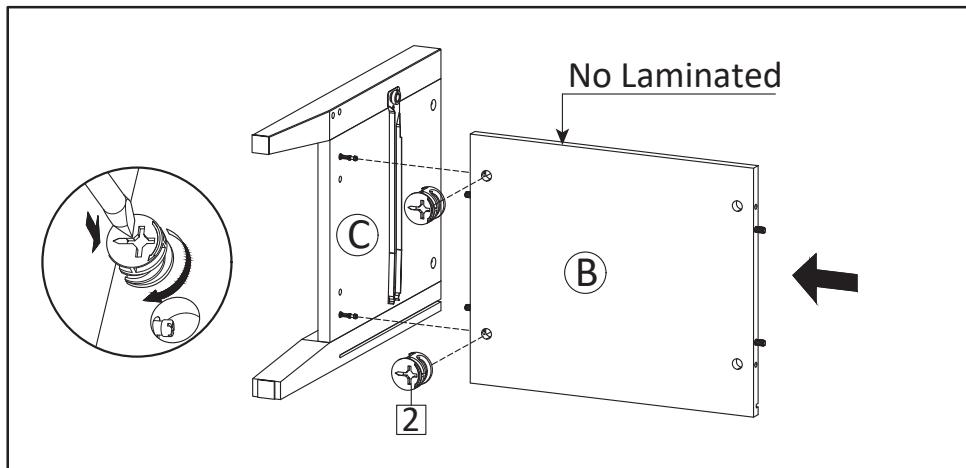
\*Tools Required for Assembly (included): Allen Key



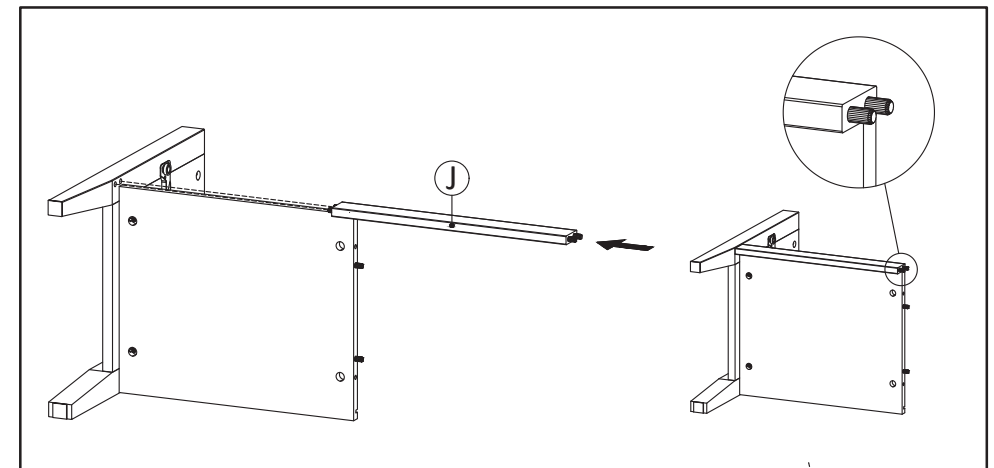
**STEP5:** Insert Dowel Big (HW4) into Side Board Left (C) and Side Board Right (D). Continue with securing part of the Drawer Runner (HW RM30A) into position as the above image, using screw M6x10.5mm (HW7). Attach Floor Protector (HW15) into Side Board Left (C) and Side Board Right (D).



**STEP6:** Insert Dowel Big (HW4) into Bottom Board (B) and Front Skirt 2 (J). Insert Dowel Small (HW16) into Front Skirt 1 (K) as figure.



**STEP7:** Attach Bottom Board (B) into Side Board Left (C), Secure with Camlock Big (HW2) and tighten it using screwdriver as figure.



**STEP8:** Install the Front Skirt 2 (J) on the assembled component as figure.

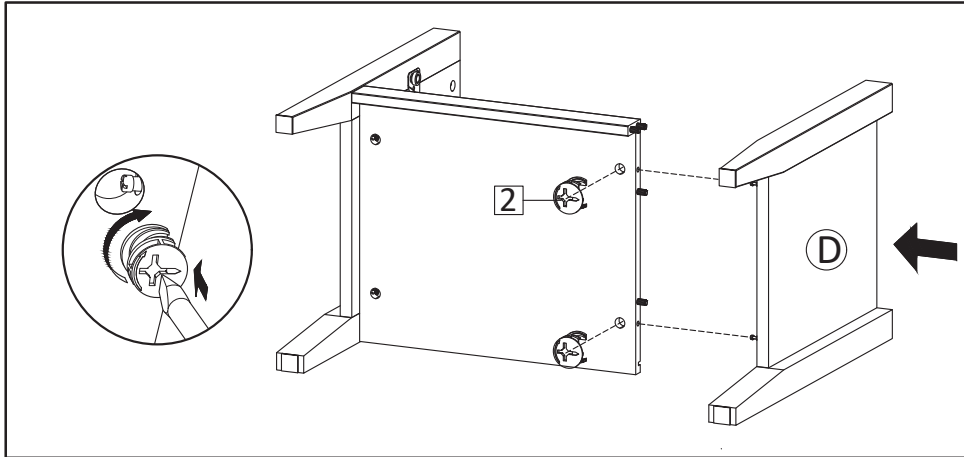
# PREPARATION

\*Before beginning assembly of product, make sure all parts are present. Compare parts with part contents list and hardware contents list.

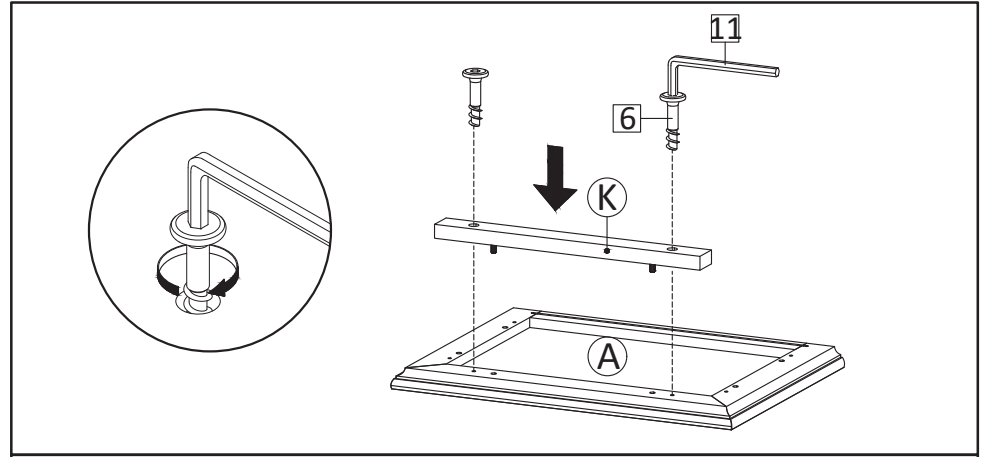
\*If any part is missing or damaged, do not attempt to assemble the product.

\*Estimated Assembly Time: 60 minutes.

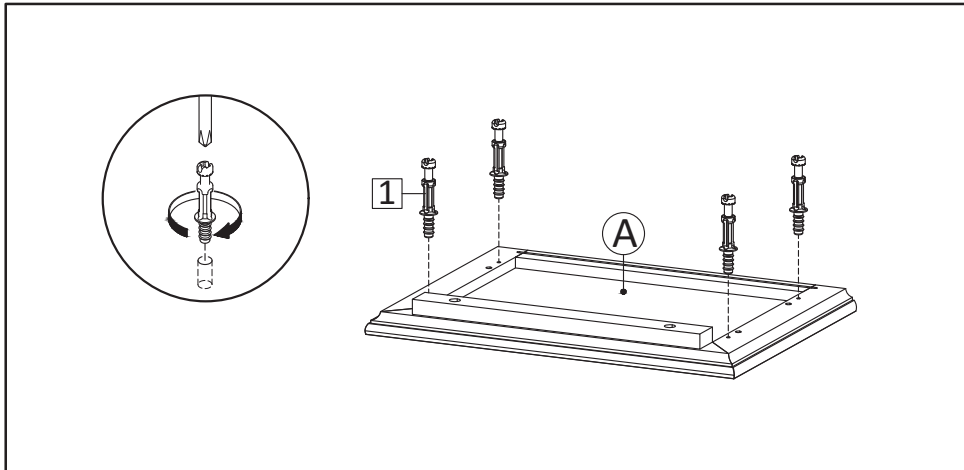
\*Tools Required for Assembly (included): Allen Key



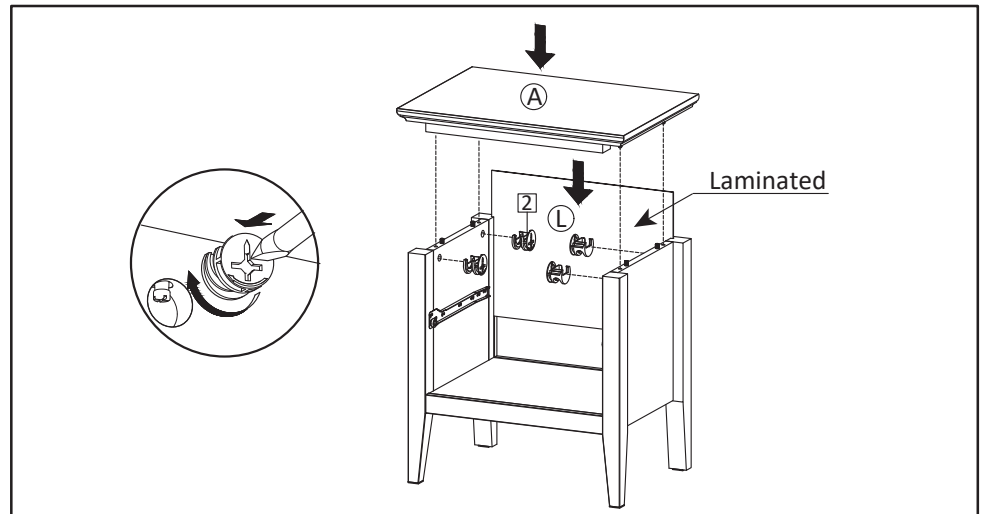
**STEP9:** Attach Side Board Right (D). Secure with Camlock Big (HW2) and tighten it using screwdriver as figure.



**STEP10:** Attach Front Skirt 1 (K) into Top Board (A), secure with Screw M6.4x25mm (HW6), tighten screws using Allen Key (HW11).



**STEP11:** Insert Cambolt (HW1) into Top Board.



**STEP12:** Insert Back Board (L) with laminated surface facing front and Insert Top Board (A). Secure with Camlock Big (HW2) and tighten it using screwdriver.

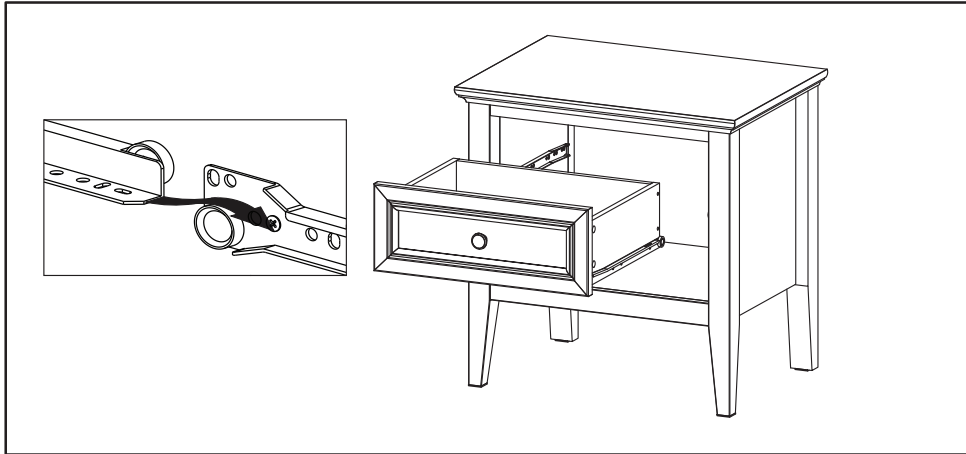
## PREPARATION

\*Before beginning assembly of product, make sure all parts are present. Compare parts with part contents list and hardware contents list.

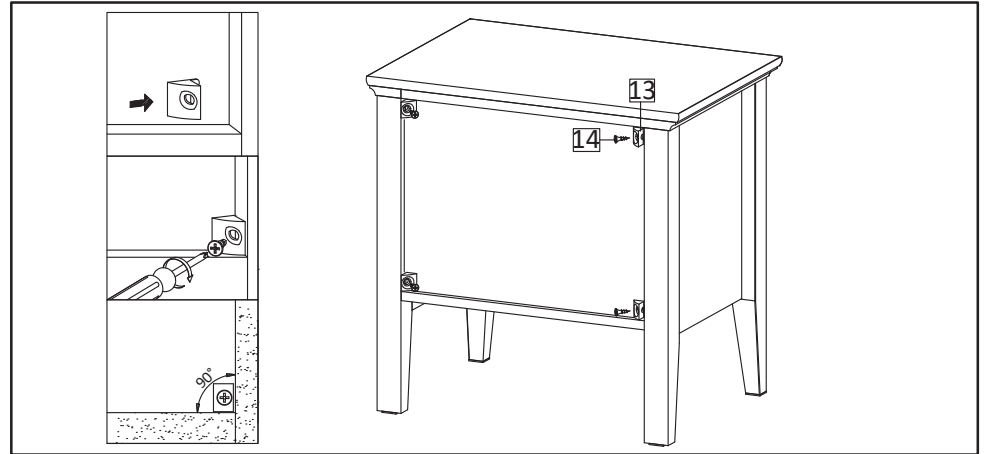
\*If any part is missing or damaged, do not attempt to assemble the product.

\*Estimated Assembly Time: 60 minutes.

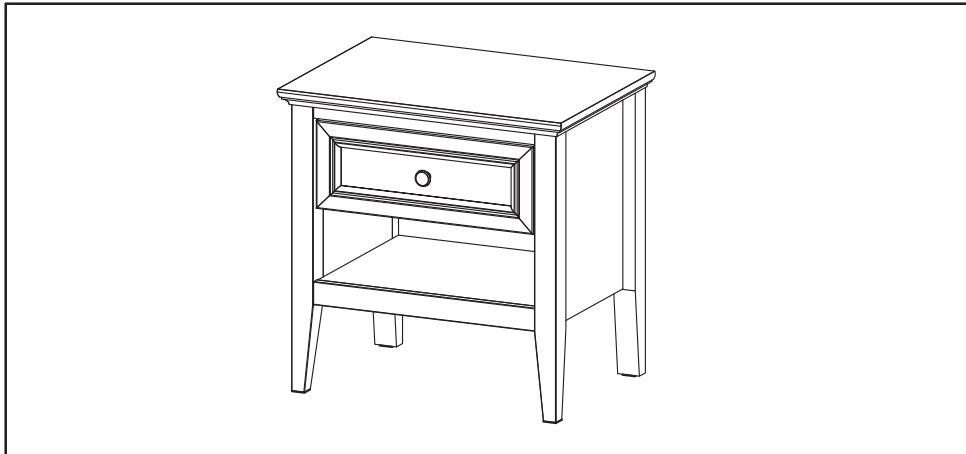
\*Tools Required for Assembly (included): Allen Key



**STEP13:** Hold the sides of drawer, position the wheel of Drawer Runner at drawer back and the wheel of Drawer Runner at side boards, according to the image. Slide in the drawer into the night stand.



**STEP14:** Use Wedge (HW13), Screw M3.5x15.5mm (HW14) to tighten the back of night stand by using screwdriver. Please align the top board and bottom board in 90° position against the side board, before securing the wedges (HW13).



**STEP15:** Assembly is complete.

# TIPPING RESTRAINTS KIT INSTALLATION GUIDANCE

Different wall materials require unique wall fasteners.

The wall plugs (AA2) and screws (AA3) are designed for fixing to concrete walls only.

Please consult your local hardware store to ensure you are using the correct hardware for your wall type.

