

ASSEMBLY INSTRUCTIONS

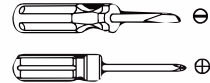
DINING TABLE

ASSEMBLY
REQUIREMENTS

2-Person
Assembly

30 minutes
Assembly Time
(Approximate)

Assembly Tools
Required
(Not Provided)



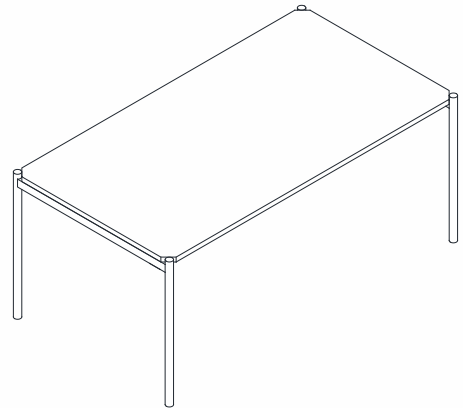
Thank you for purchasing our product!

Please refer and use this assembly instruction to assemble the product. Contact our customer service department in case there are any missing or damage parts or hardware. Replacement parts are normally shipped within 2 or 3 days.

PRODUCTS PURCHASED THROUGH OUR AUTHORIZED VENDORS ONLY ARE ELIGIBLE FOR REPLACEMENT PARTS.

We appreciate your business!

THIS PRODUCT IS FOR INDOOR AND HOUSEHOLD USE ONLY- NOT FOR COMMERCIAL USE.



ASSEMBLY PREPARATION

1. Remove all packaging materials, staples and packing straps from the carton.
2. Refer to Parts List and Hardware List, and ensure parts and hardware are correct before assembly. Contact customer service for missing parts.
3. Place all wooden parts on a clean, flat and soft surface (e.g. carpet or rug) to prevent scratch and damage to parts.

SAFETY PRECAUTION

1. KEEP ALL HARDWARE PARTS OUT OF REACH OF CHILDREN.
2. DISPOSE PLASTIC PACKAGING MATERIAL IMMEDIATELY TO AVOID ANY RISK OF SUFFOCATION TO CHILDREN AND ANIMALS.

TIPS FOR ASSEMBLY

1. Allow ample room for assembly and assemble the product near where the product will be placed.
2. Assemble the product on a surface that does not scratch or damage the exterior gloss and finish of the furniture
3. Identify all of the parts, hardware and quantities required for each step.
4. During assembly, do not over-tighten any fittings as this may cause damage.
5. DO NOT USE POWER TOOLS TO ASSEMBLE THIS PRODUCT.
6. Always place the product on a flat, level surface.
7. Do not sit or stand on the partially assembled product; only use the product for which it is intended.

CARE AND MAINTENANCE

- Wipe clean with a soft, dry cloth; avoid the use of harsh chemicals or household cleaners as they may damage the exterior finish of the furniture.
- Hardware may loosen over time. Periodically, check that all connections are tight; re-tighten as necessary.
- Solid wood is impacted by heat and humidity fluctuations which may cause small joint separations or hairline cracks; place the furniture away from direct sunlight and air conditioning vents, heating vents or units to protect the furniture.

ASSEMBLY INSTRUCTIONS

DINING TABLE

Parts List

Part #	Part Name	Quantity	Part #	Part Name	Quantity
(1)	Table Top	1	(3)	Metal Top Rail	2
(2)	Leg Frame	2	(4)	Metal Cross Bar	4

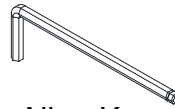
Hardware List



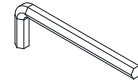
Bolt
M8x16mm
Ax20



Bolt
M6x65mm
Bx12

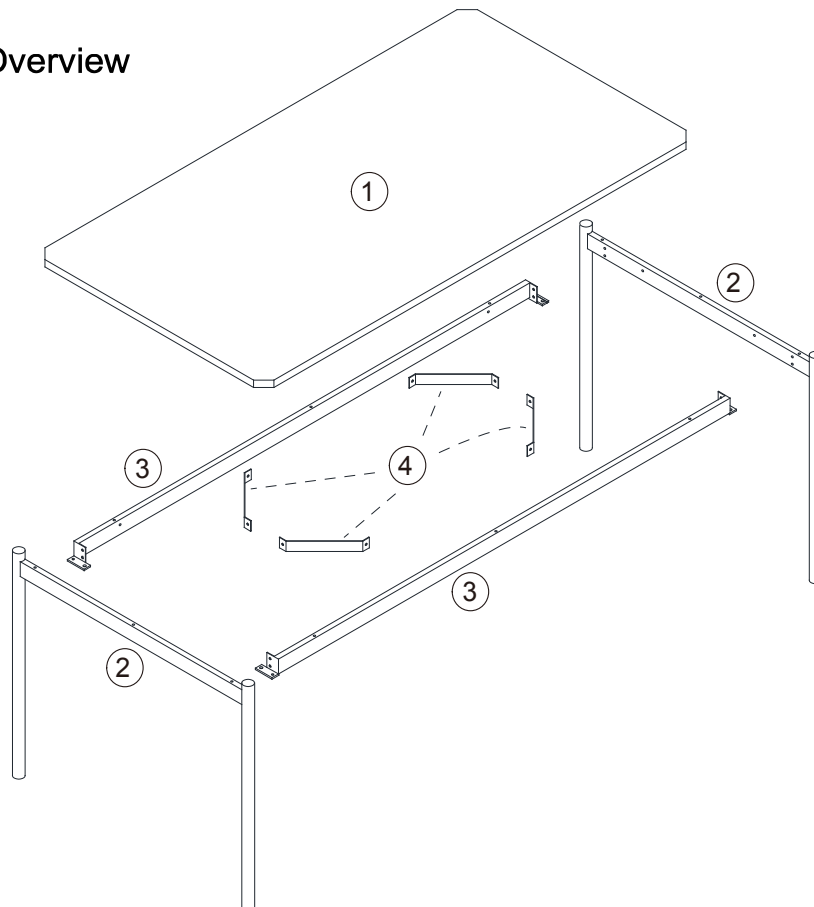


Allen Key
M4
Cx1



Allen Key
M5
Dx1

Parts Assembly Overview

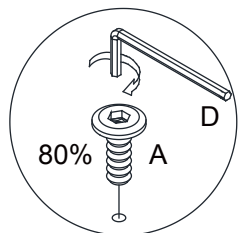


ASSEMBLY INSTRUCTIONS

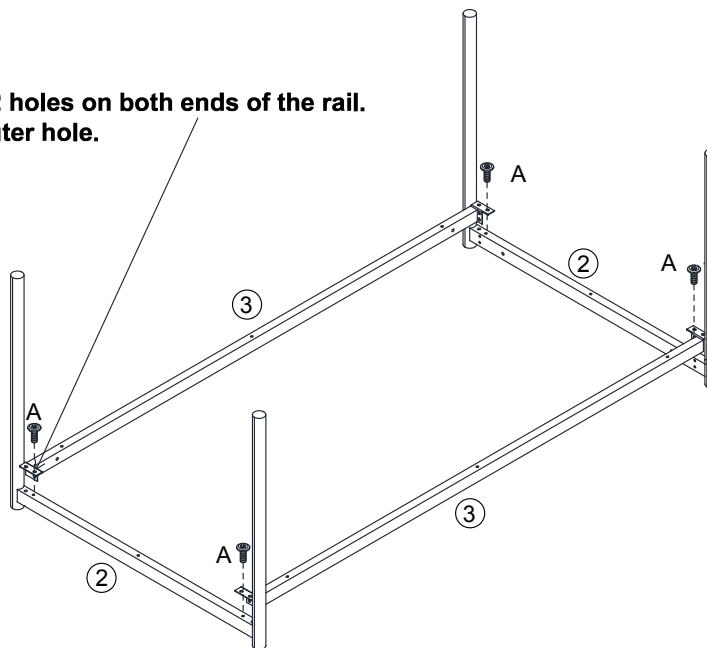
DINING TABLE



STEP 1

**Note: there are 2 holes on both ends of the rail.
Use the outer hole.**



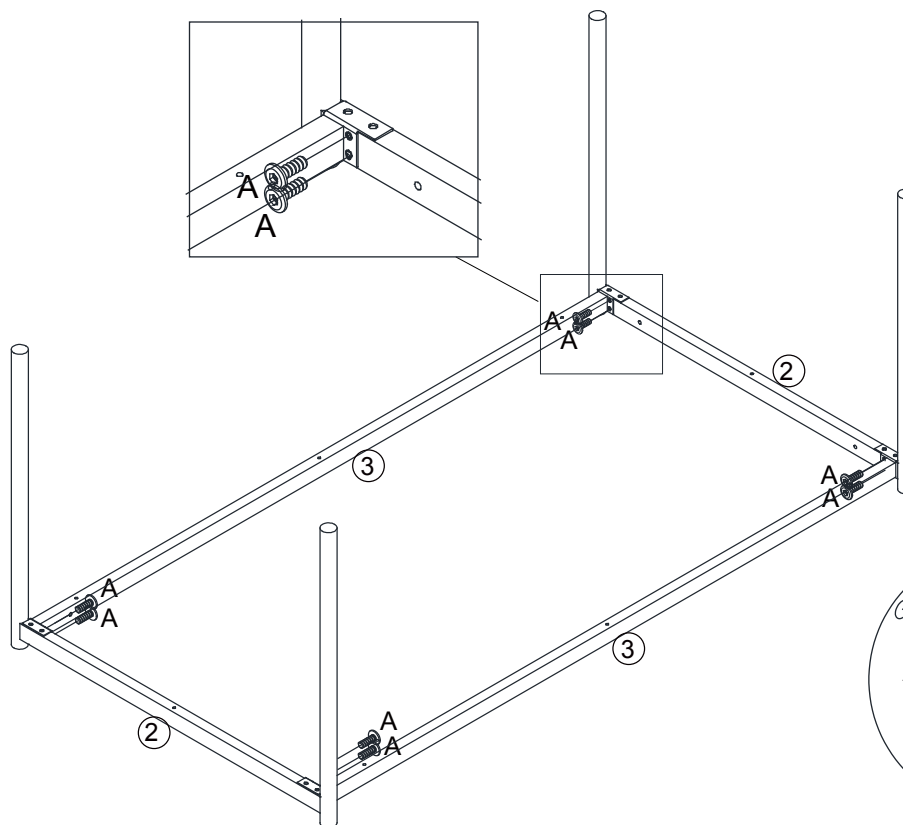
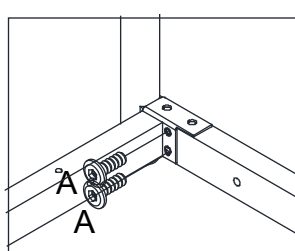
Note: Do not to tighten (A) completely at this time!





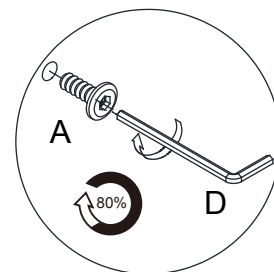
A	x4
	
M8x16mm	
D	x1
	
M5	

- With assistance, position Leg Frame (2) and Metal Top Rail (3) as shown on a material that does not scratch the parts.
- Align bolt holes on the horizontal bracket at each end of (3) to the bolt holes on the top edge of (2).
- Fasten (3) to (2) with Bolt (A). Use Allen Key (D) to drive and tighten (A). Do not to tighten (A) completely at this time.

STEP 2



A	x8
	
M8x16mm	
D	x1
	
M5	



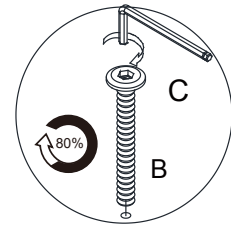
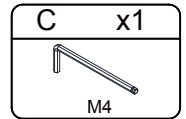
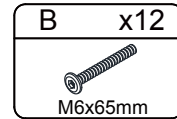
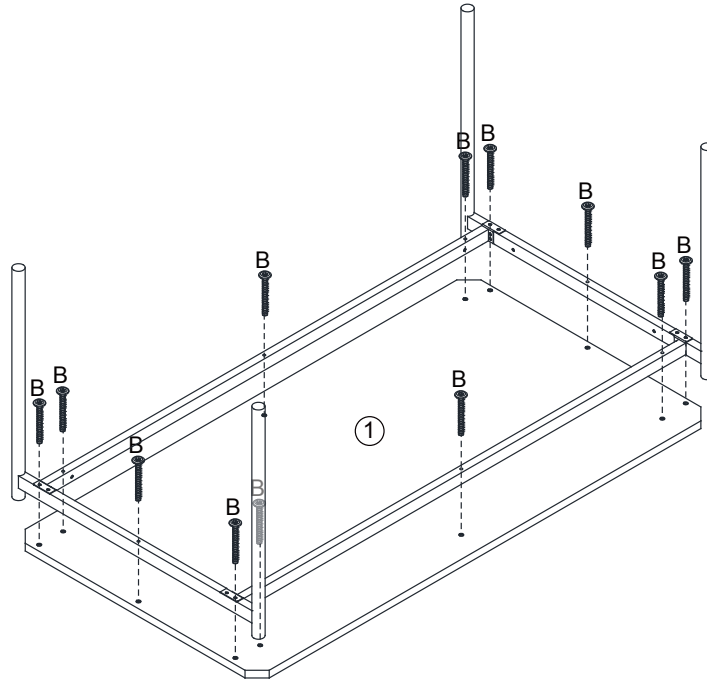
Note: Do not tighten the bolts completely at this time.

- Align bolt holes on the vertical bracket at each end of Top Rail (3) to the bolt holes on the inside-face of Leg Frame (2).
- Fasten (3) to (2) with Bolt (A). Use Allen Key (D) to drive and tighten (A). Do not to tighten (A) completely at this time.

ASSEMBLY INSTRUCTIONS

DINING TABLE

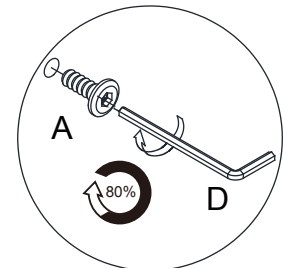
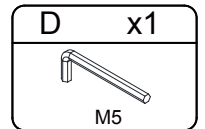
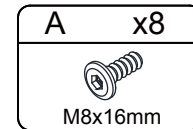
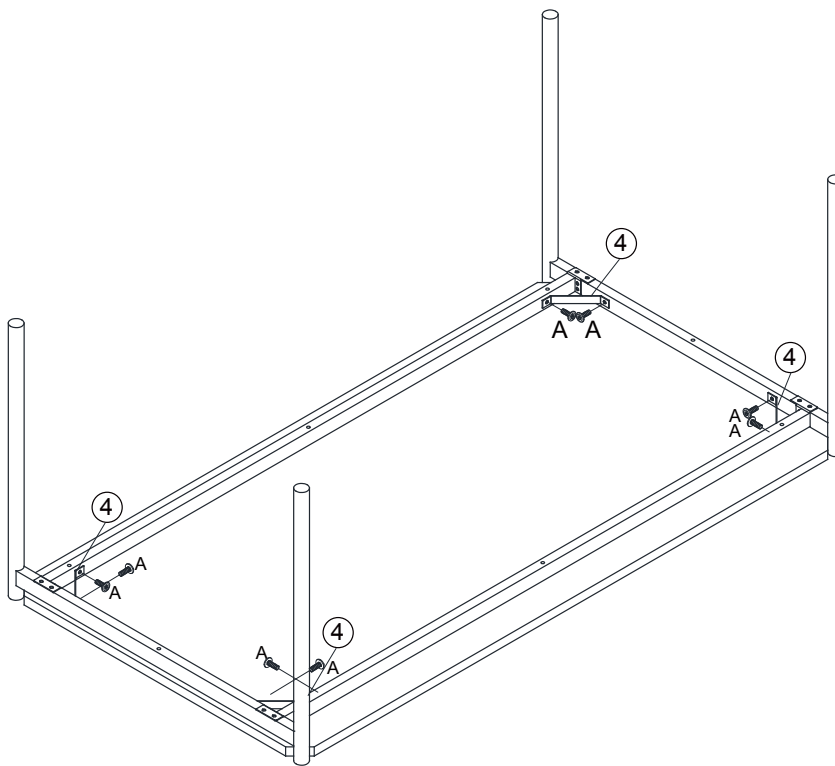
STEP 3



Note: Do not tighten the bolts completely at this time.

- Lay Table Top (1) as shown on a material that does not scratch the part and position the assembly from STEP 2 on (1).
- Align the bolt holes on each part and fasten with Bolt (B). Use Allen Key (C) to drive (B). Do not tighten (B) completely.

STEP 4



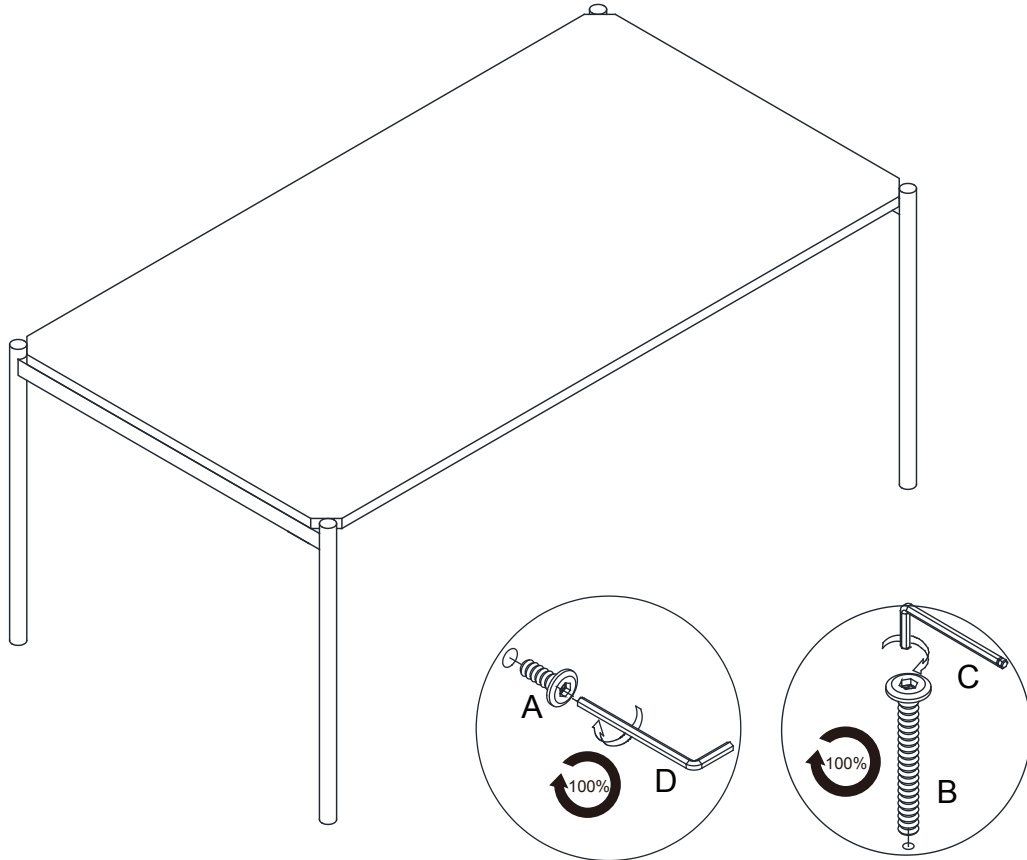
Note: Do not tighten the bolts completely at this time.

Use the Bolt (A) to fasten Metal Cross Bar (4) to each corner. Use Allen Key (D) to drive Bolt (A). Do not tighten (A) completely at this time.

ASSEMBLY INSTRUCTIONS

DINING TABLE

STEP 5



Note: Tighten all the bolts (A & B) completely at this time.

- With assistance, carefully set the table assembly from STEP 4 right-side up.
- Tighten all of the Bolts (A & B) completely at this time.

The assembly of the Dining Table is complete .