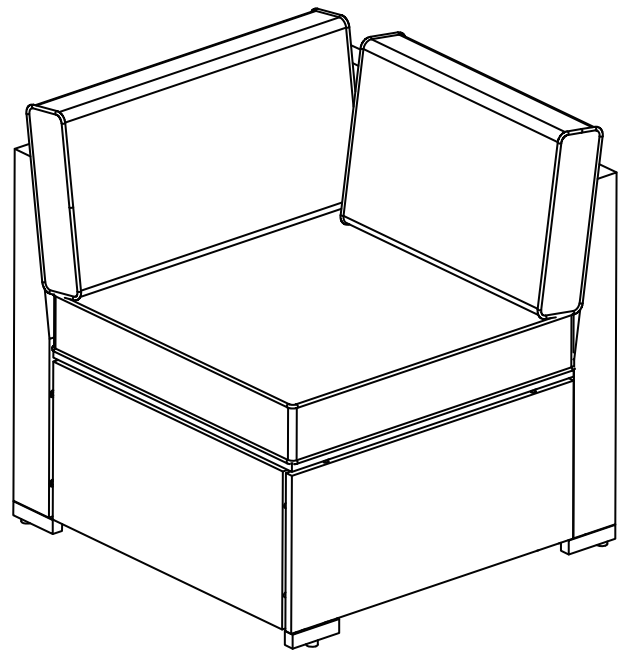
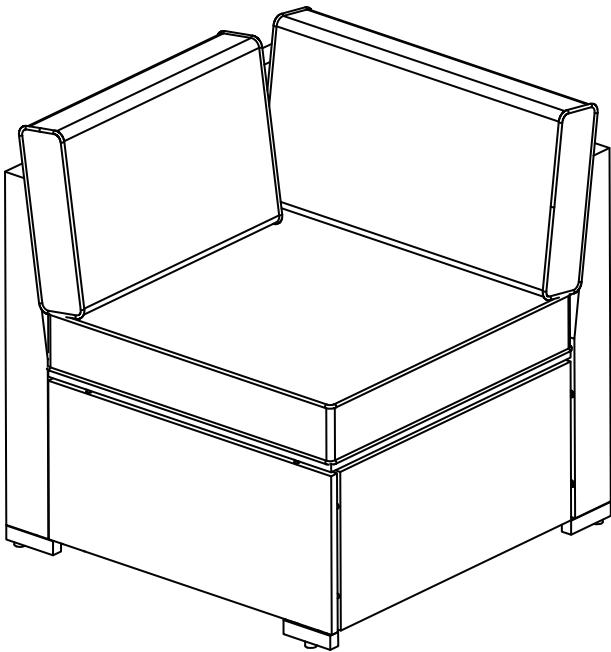


2 Pcs Corner Sofa



NOTICE



Please retain these instructions for future reference.

Dear Customer

Thank you for your purchase.

When you receive the product, please make sure that all the parts are intact.

Then please browse the entire installation manual before assembly.

If problem occur unsatisfactorily as follows

A . The outer box is damaged

B . The product is damaged / bent / cracked while you open the box

C . The parts / accessories / assembly tools are missing

D . The product is hard to assemble




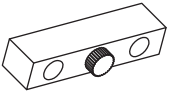
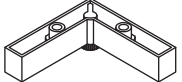

E . The instructions are not clear and can not be referred

F . The product has functional problems

G . Other aspects that you are not satisfied with

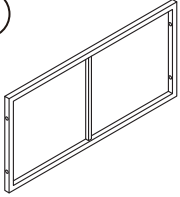
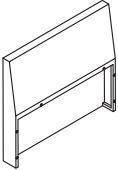
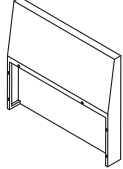
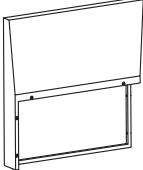
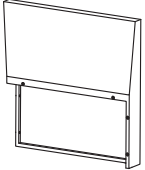
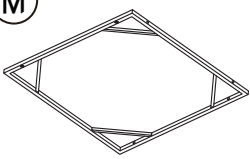
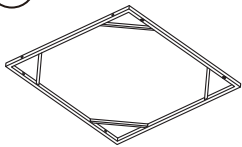
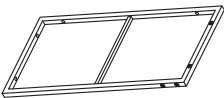
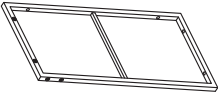
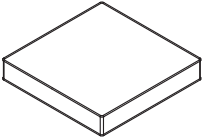
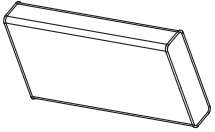
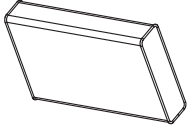
Please do not hesitate to contact us for help. Our team with factory direct after-sales service will reply within 24 hours and will do our best to resolve the problem for you.

HARDWARE LIST

Hardware List				
①  M6*25 mm Bolt 16 pc	②  M6*30 mm Bolt 28 pc	③  Φ6*12 Washer 28 pc	④  Floor Mat 2 pc	⑤  L Floor Mat 6 pc
⑥  Hex Wrench 1 pc				

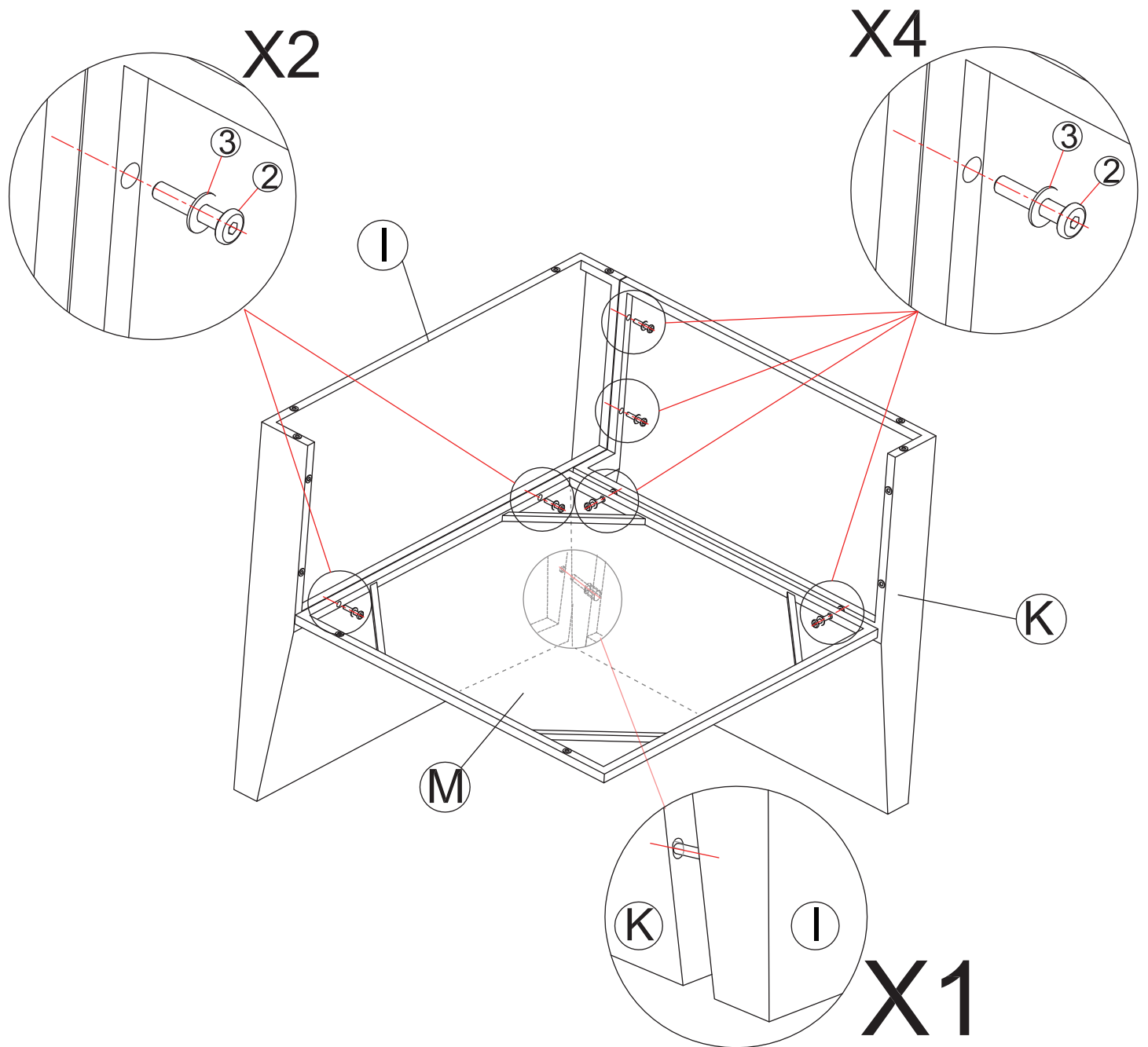
PART LIST

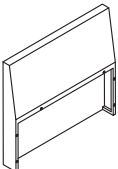
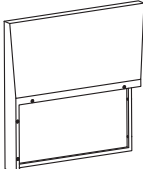
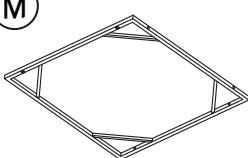


Parts List

 <p>(Side Panel)</p>	 <p>(Left Armrest)</p>	 <p>(Right Armrest)</p>	 <p>(Left Backrest)</p>	 <p>(Right Backrest)</p>
2 pc	1 pc	1 pc	1 pc	1 pc
 <p>(Left Seat Panel)</p>	 <p>(Right Seat Panel)</p>	 <p>(Front Panel Left)</p>	 <p>(Front Panel Right)</p>	 <p>(Seat Cushion)</p>
1 pc	1 pc	1 pc	1 pc	2 pc
 <p>(Back Cushion)</p>	 <p>(Back Cushion)</p>			
2 pc	2 pc			

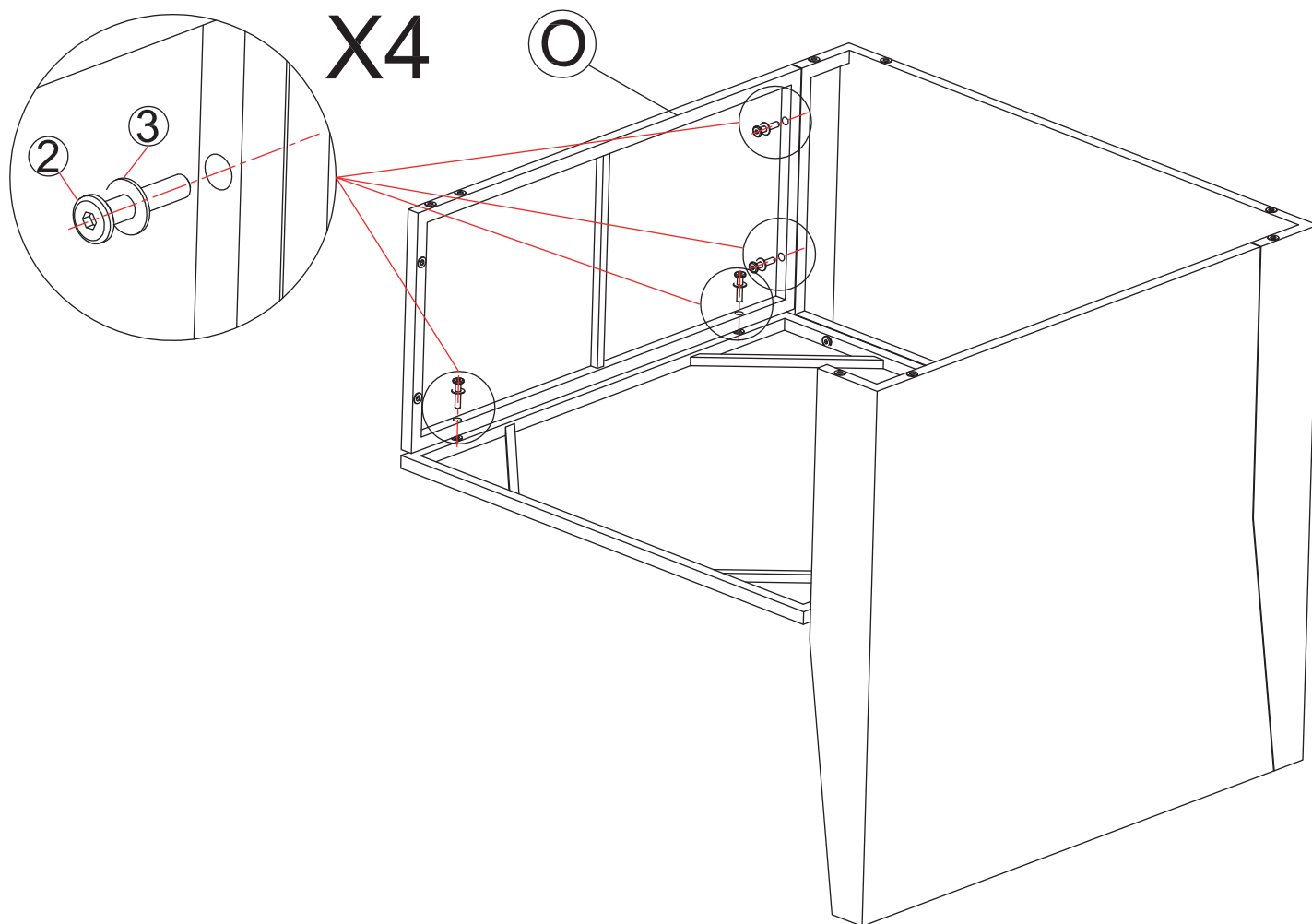
1. Please ensure that all accessories are complete before starting the installation.
2. Due to the variety of accessories, many accessories may be glued together, please check carefully
3. If any accessories are missing or damaged, please contact the seller immediately.

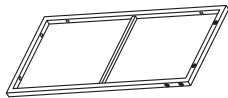


STEP 1 Left Armrest Sofa



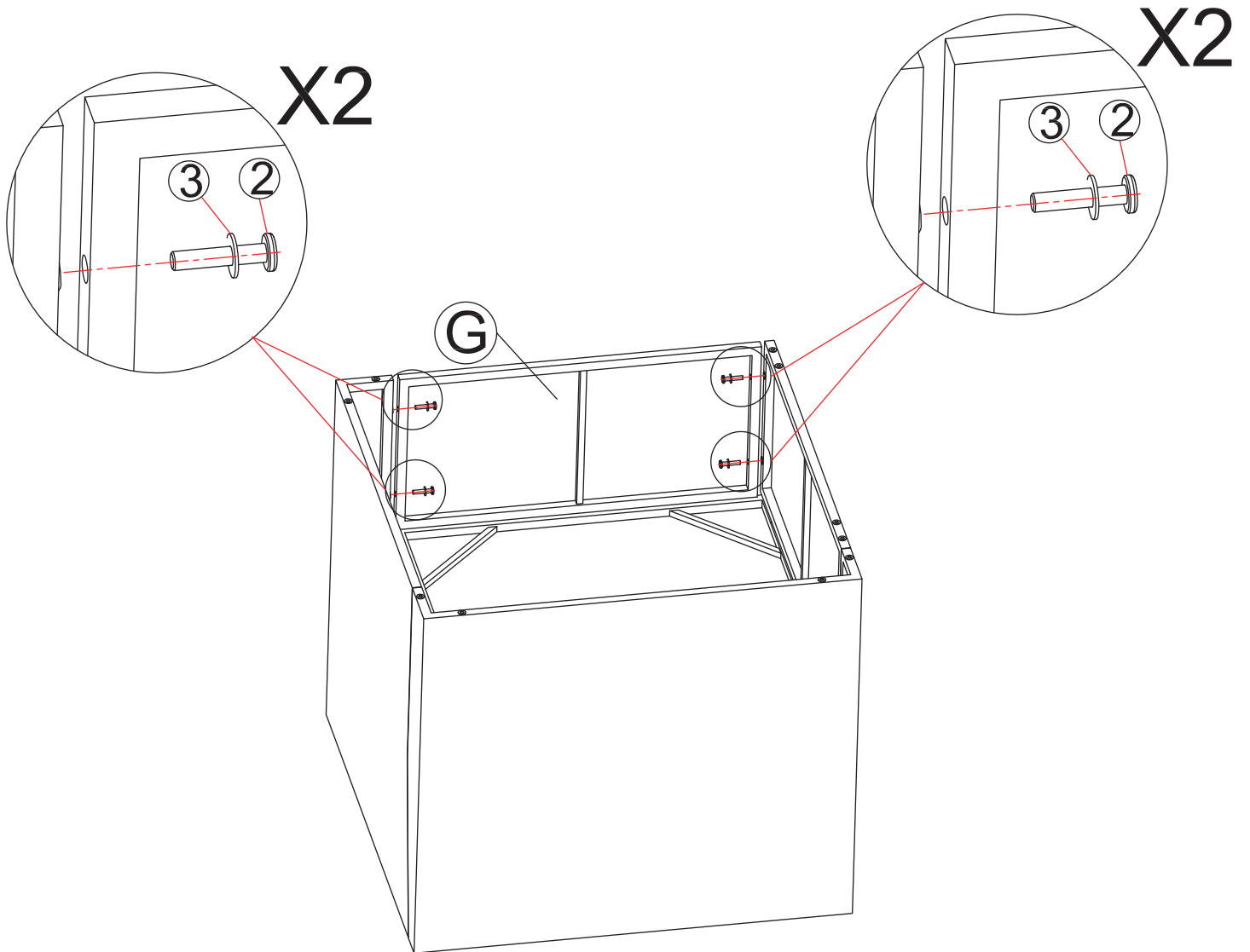
 <p>(Left Armrest)</p>	 <p>(Left Backrest)</p>	 <p>(Left Seat Panel)</p>	 <p>M6*30 mm Bolt</p>	 <p>Φ6*12 Washer</p>
1 pc	1 pc	1 pc	6 pc	6 pc

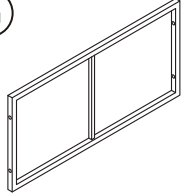


STEP 2 Left Armrest Sofa



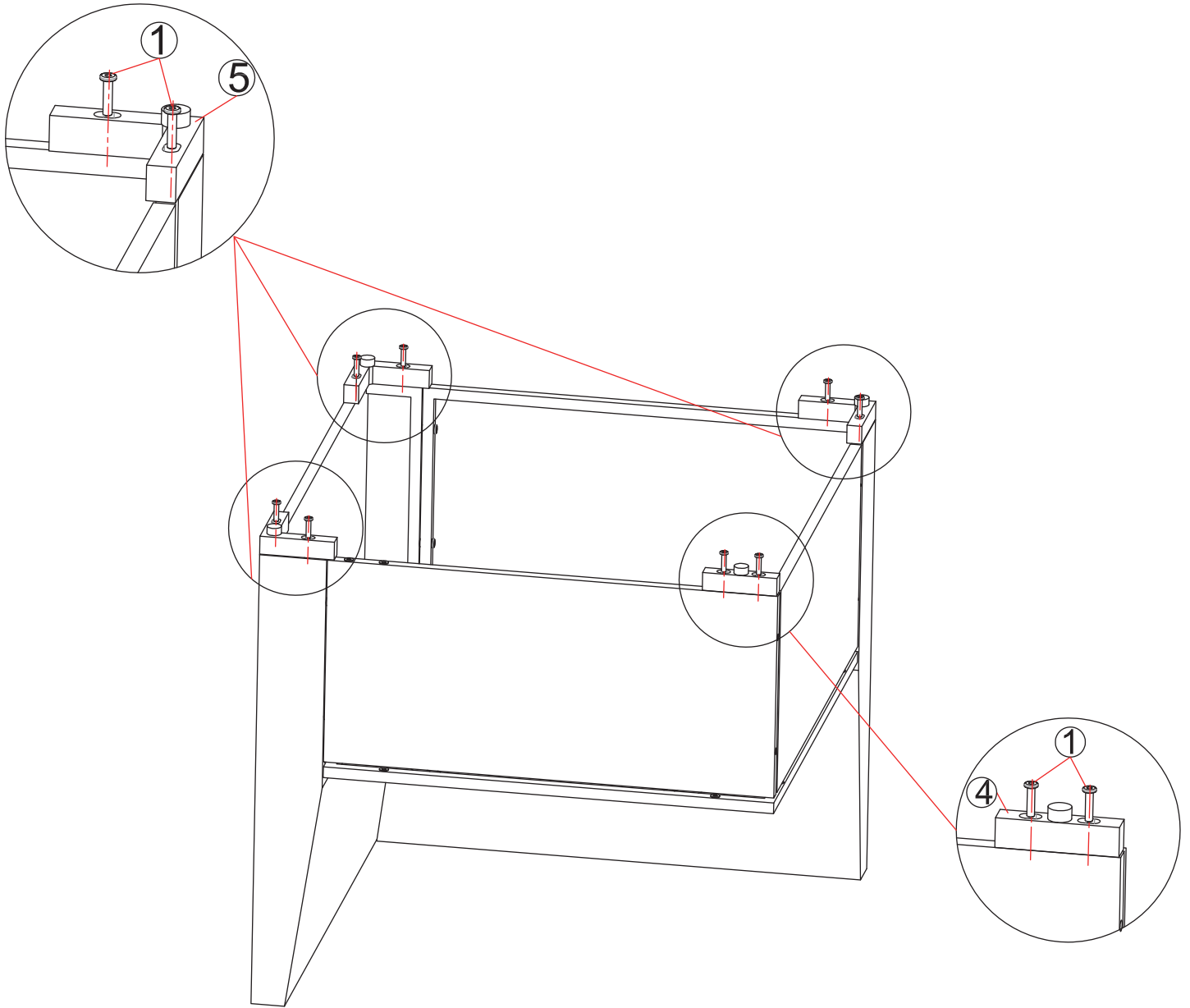
 (Front Panel Left)	 M6*30 mm Bolt	 Φ6*12 Washer
1 pc	4 pc	4 pc


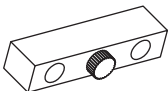
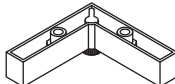
STEP 3 Left Armrest Sofa



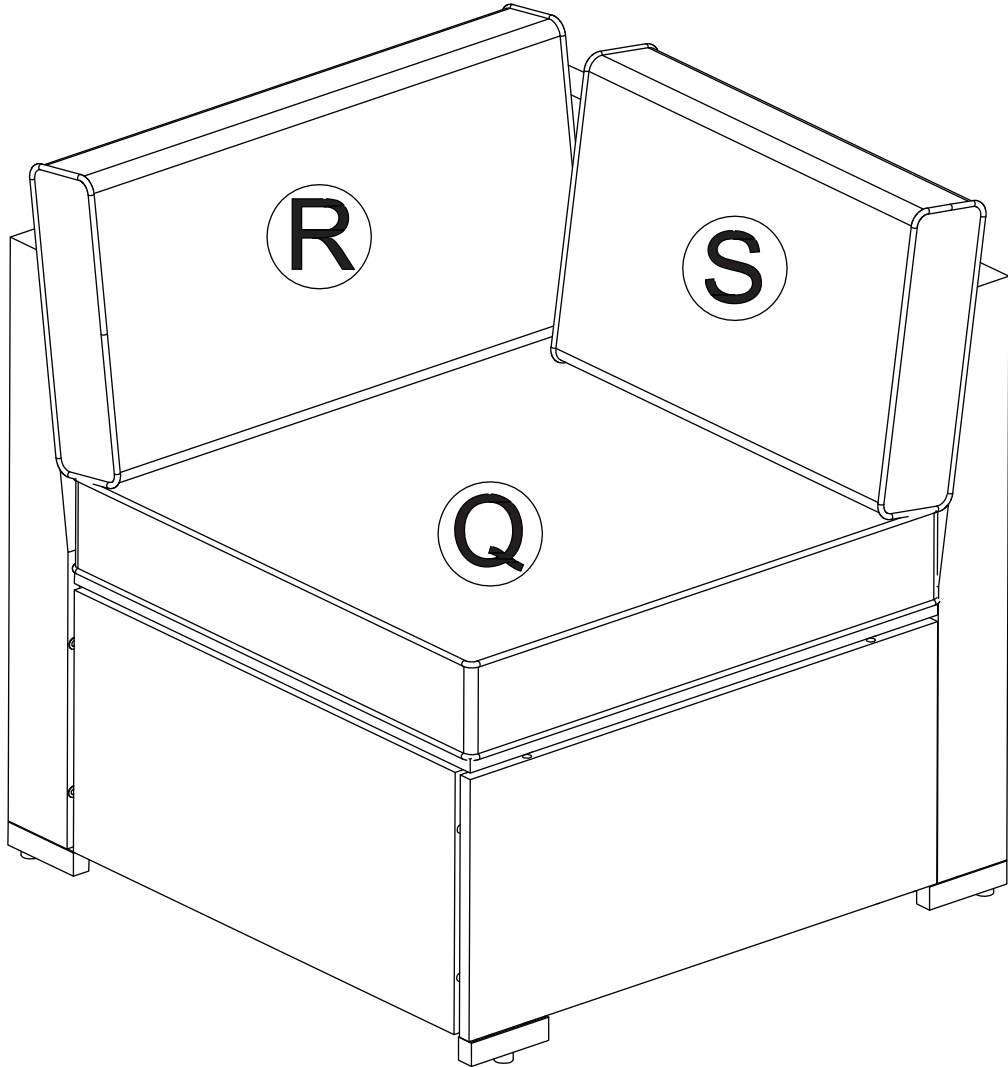
 (Side Panel)	 M6*30 mm Bolt	 Φ6*12 Washer
1 pc	4 pc	4 pc

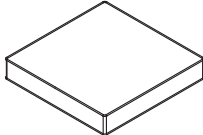
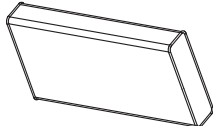
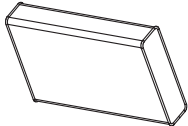
STEP 4 Left Armrest Sofa



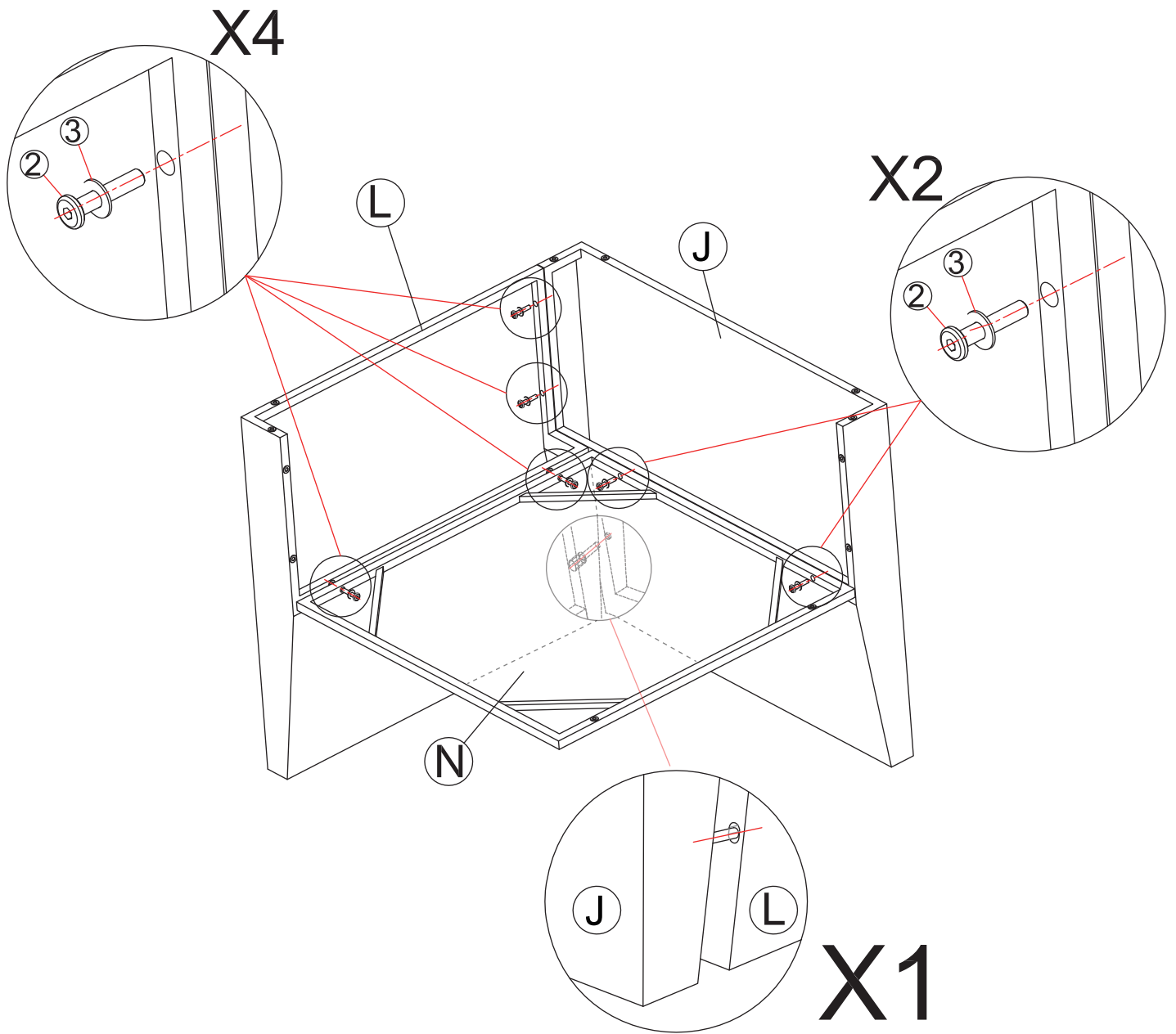
<p>①</p>  <p>M6*25 mm Bolt</p>	<p>④</p>  <p>Floor Mat</p>	<p>⑤</p>  <p>L Floor Mat</p>
<p>8 pc</p>	<p>1 pc</p>	<p>3 pc</p>

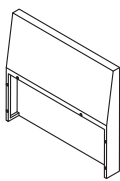
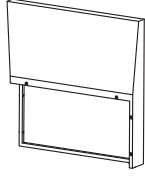
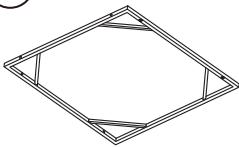


STEP 5 Left Armrest Sofa



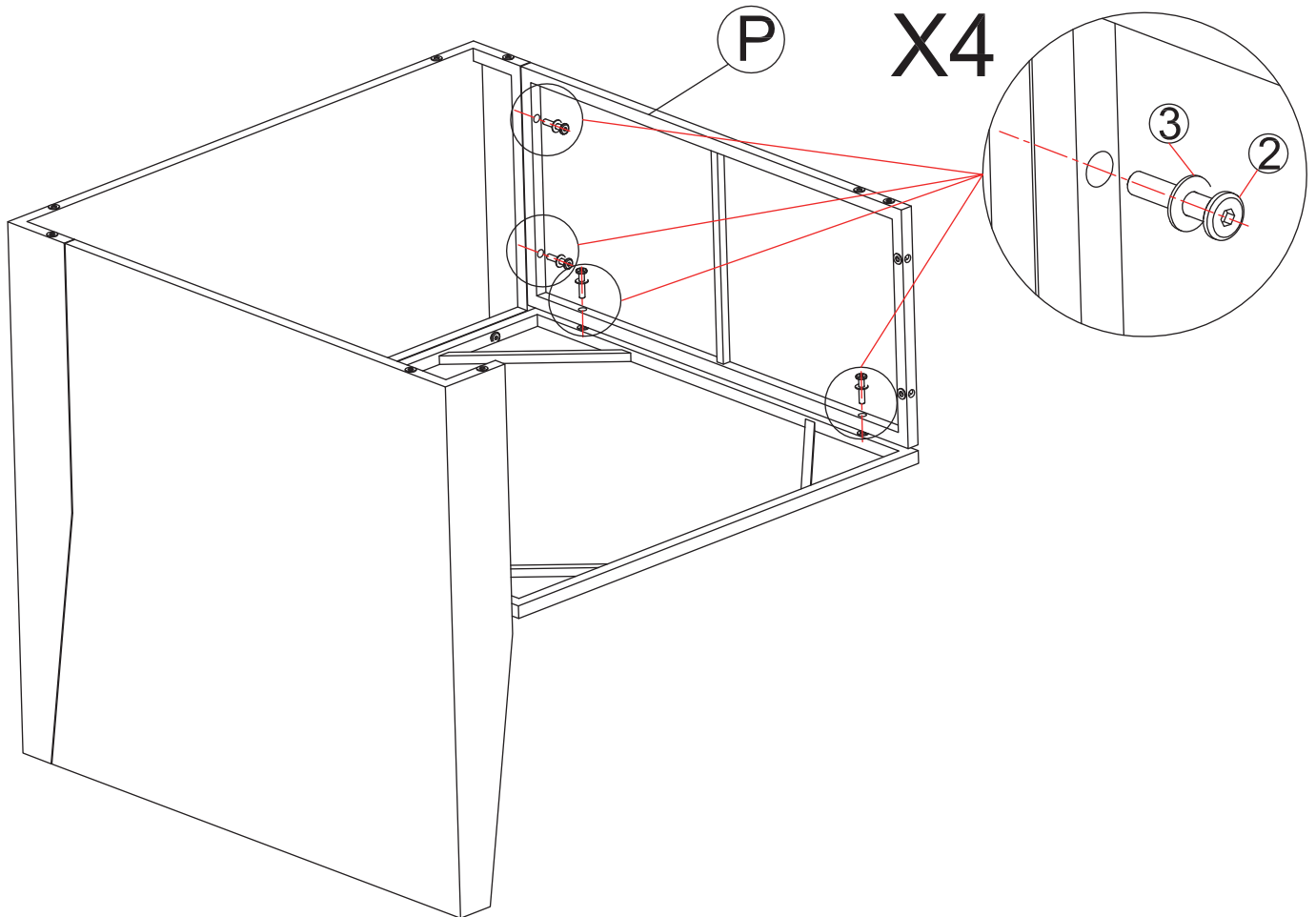
 (Seat Cushion)	 (Back Cushion)	 (Back Cushion)
1 pc	1 pc	1 pc

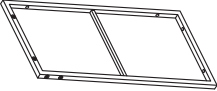


STEP 6 Right Armrest Sofa



<p>(J)</p>  <p>(Right Armrest)</p>	<p>(L)</p>  <p>(Right Backrest)</p>	<p>(N)</p>  <p>(Right Seat Panel)</p>	<p>(2)</p>  <p>M6*30 mm Bolt</p>	<p>(3)</p>  <p>Φ6*12 Washer</p>
<p>1 pc</p>	<p>1 pc</p>	<p>1 pc</p>	<p>6 pc</p>	<p>6 pc</p>

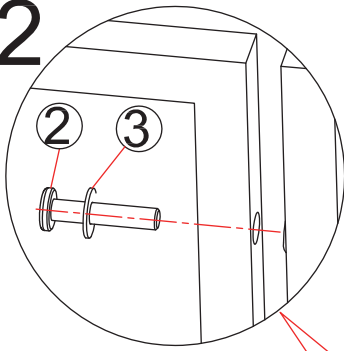
STEP 7 Right Armrest Sofa



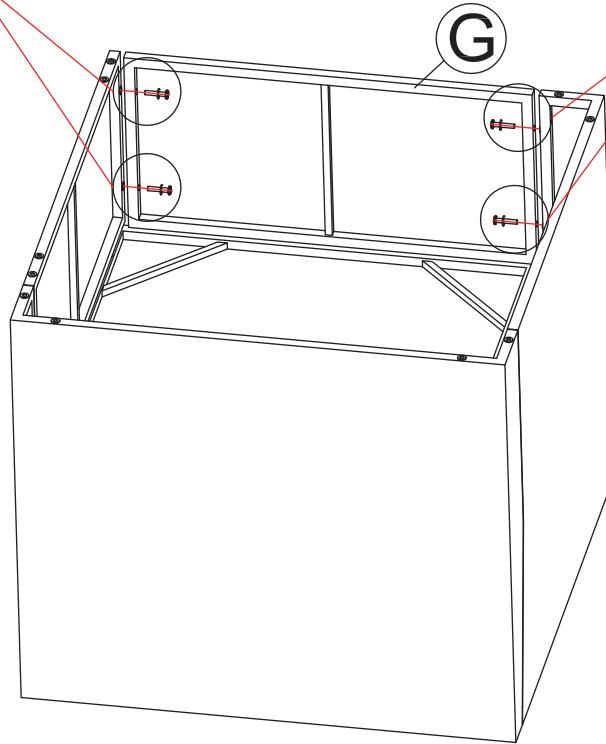
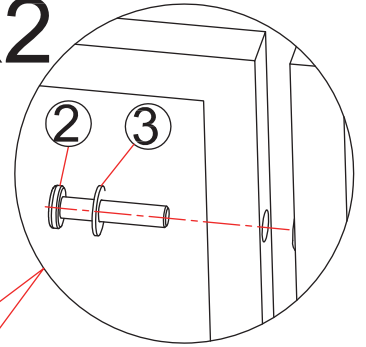
 (Front Panel Right)	 M6*30 mm Bolt	 Φ6*12 Washer
1 pc	4 pc	4 pc

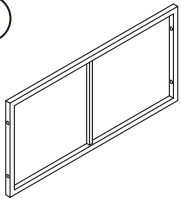


STEP 8 Right Armrest Sofa

X2

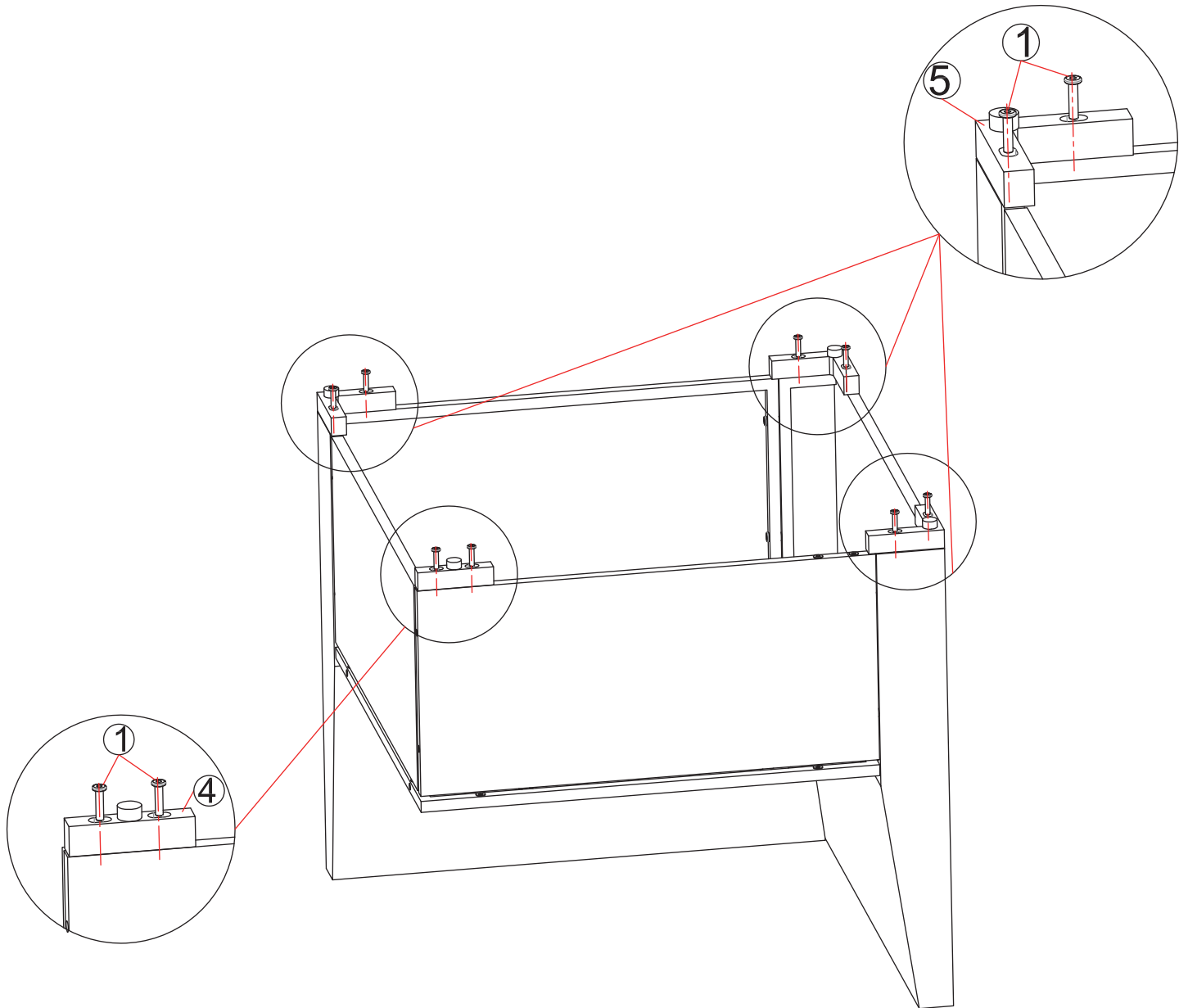



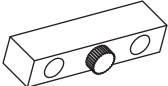
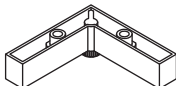
X2



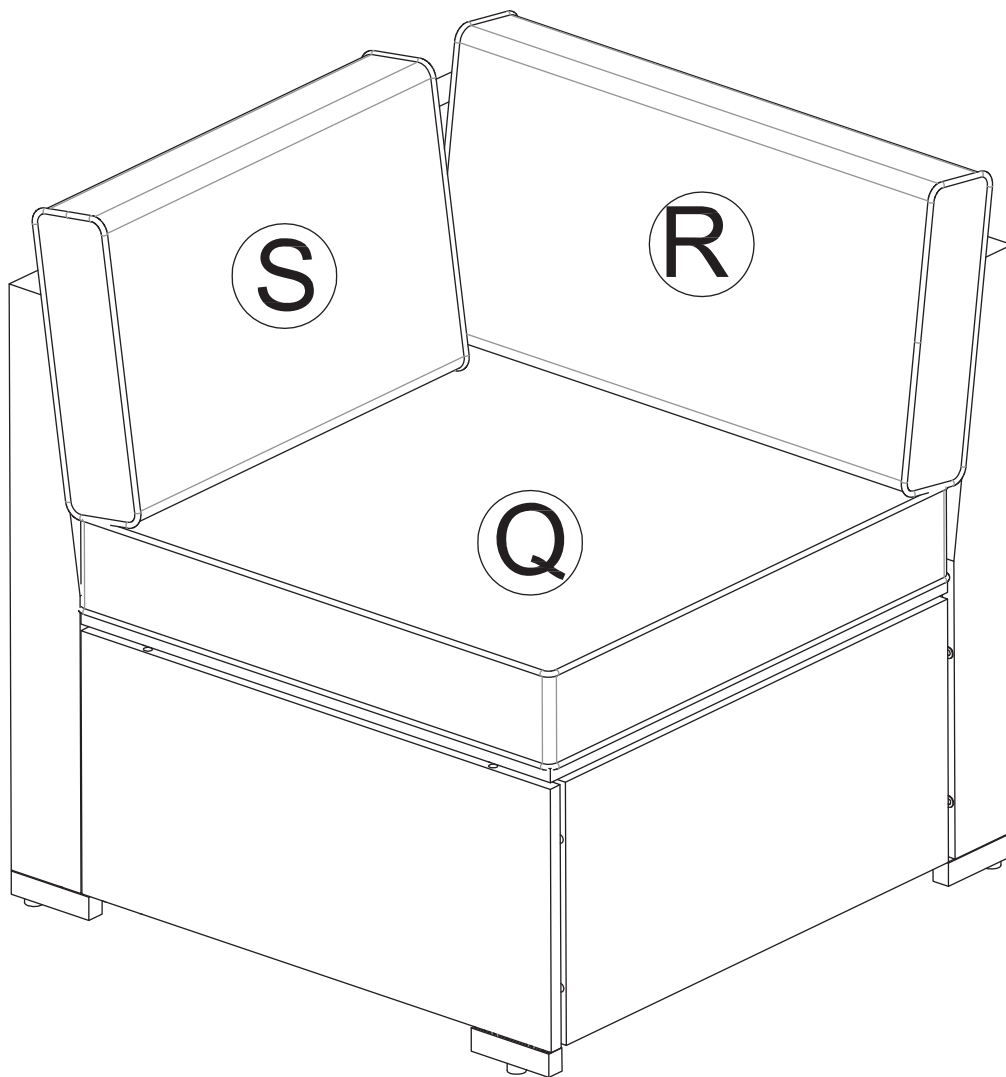
 (Side Panel)	 M6*30 mm Bolt	 Φ6*12 Washer
1 pc	4 pc	4 pc

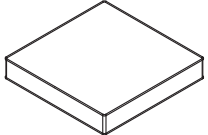
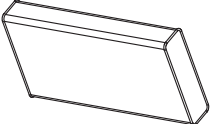
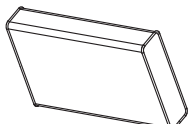
STEP 9 Right Armrest Sofa



<p>①</p>  <p>M6*25 mm Bolt</p>	<p>④</p>  <p>Floor Mat</p>	<p>⑤</p>  <p>L Floor Mat</p>
<p>8 pc</p>	<p>1 pc</p>	<p>3 pc</p>

STEP 10 Right Armrest Sofa



 ①	 ②	 ③
(Seat Cushion)	(Back Cushion)	(Back Cushion)
1 pc	1 pc	1 pc

AFTER-SALE SERVICE CARD

If you have any suggestions for our products or find that the products have quality problems, please contact us first, our after-sales team will reply you within 24 hours, and we will do our best to give you solutions until you are satisfied.