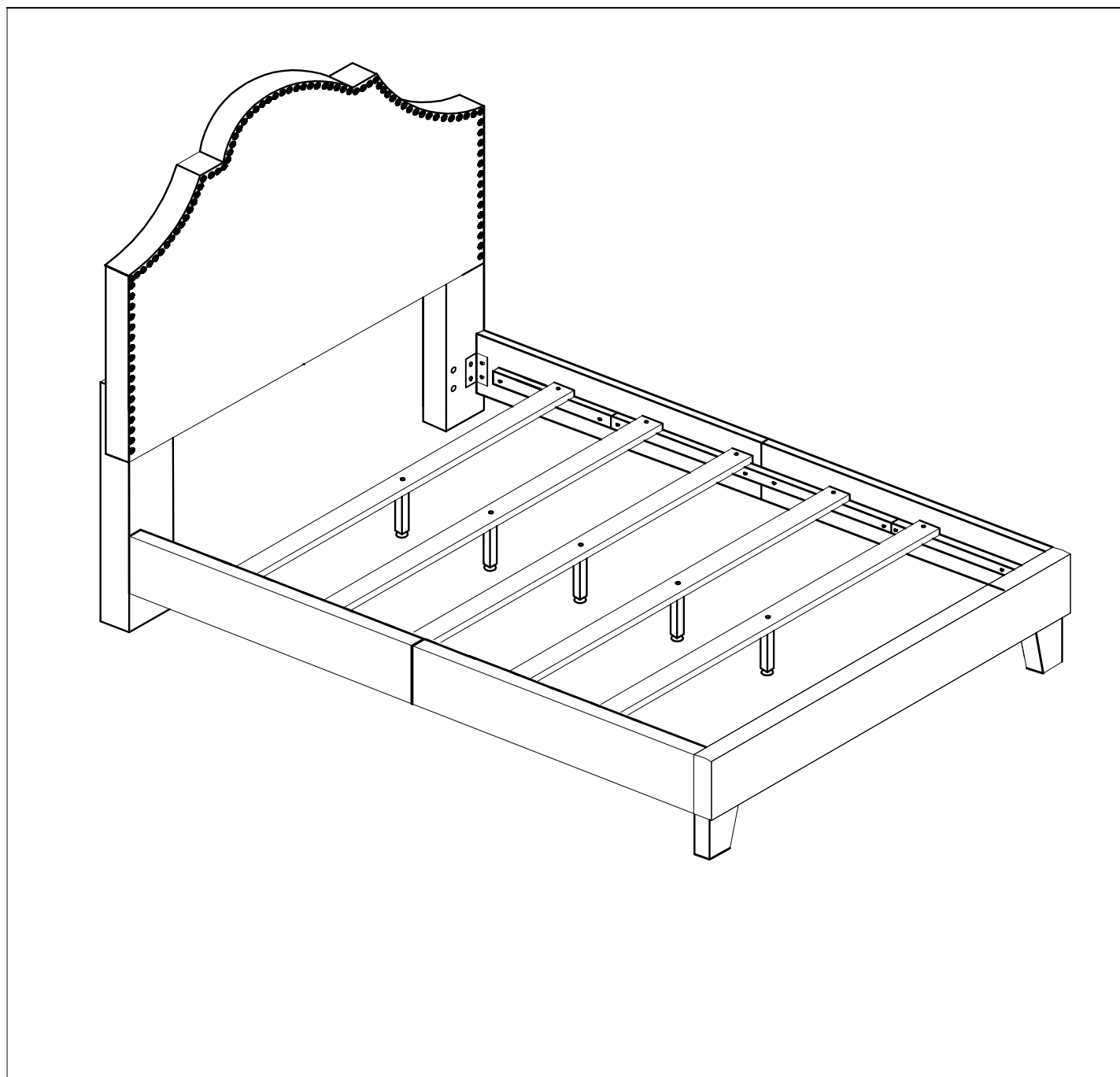


ASSEMBLY INSTRUCTION

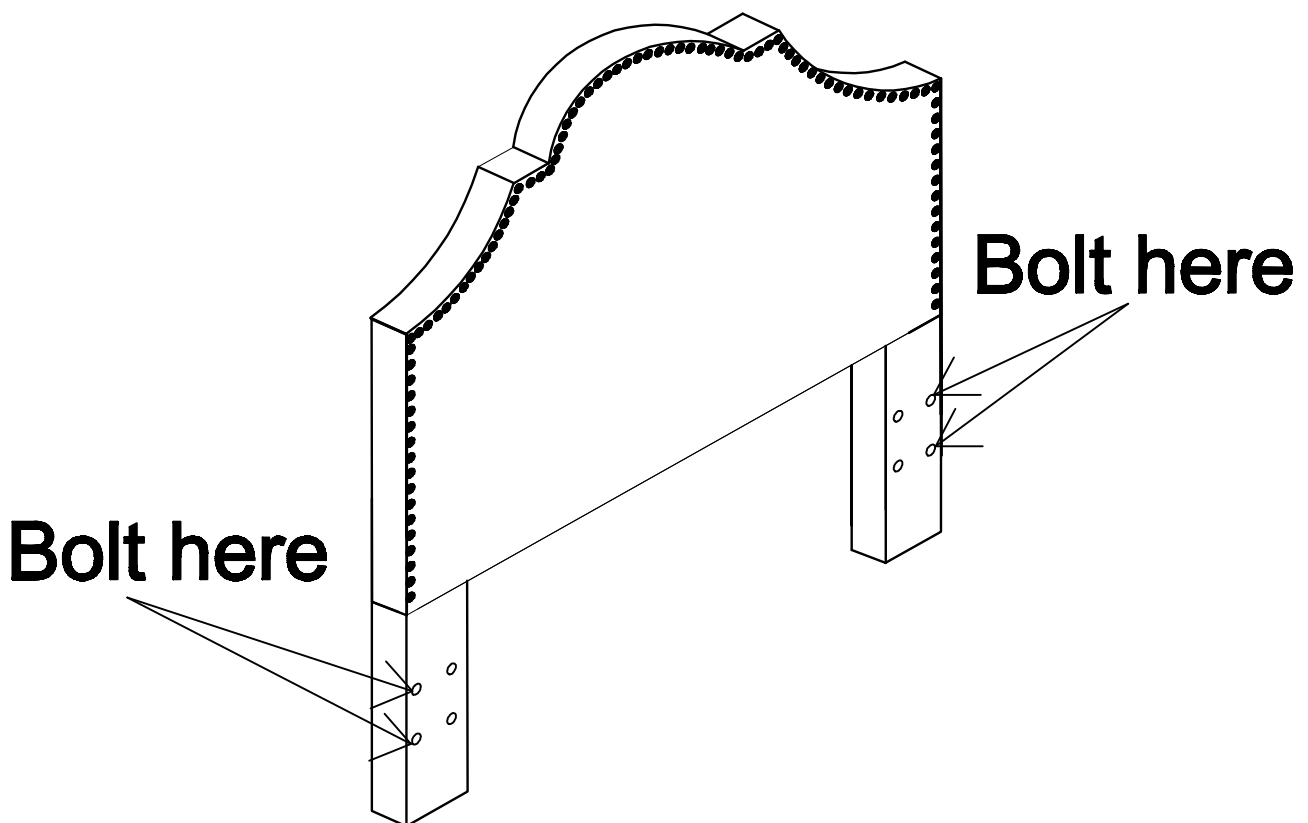


ASSEMBLY INSTRUCTIONS

ATTENTION:

Head Board legs are interchangeable
(Right & Left)

Always bolt Bed Rails into outside
Headboard Leg holes as shown in
illustration.



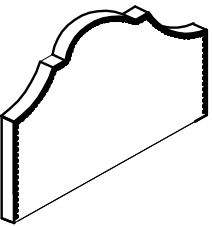
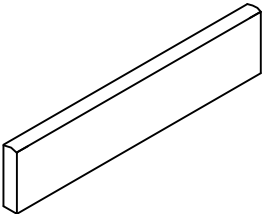
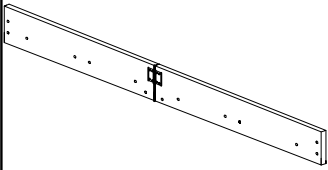
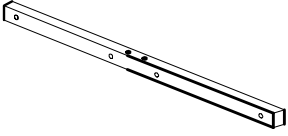
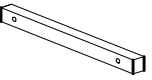
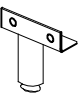

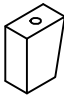
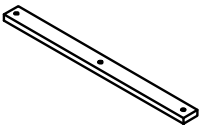
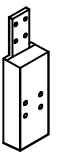
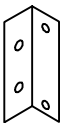
ASSEMBLY INSTRUCTIONS

Thank you for purchasing this product. Be sure to check all packaging materials carefully for small parts that may have come loose inside the carton during shipment.




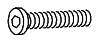




Before you Assemble: Please read all instructions carefully before beginning the assembly process. It is recommended that 2 people work together during assembly to prevent personal injury and to ensure that heavy or cumbersome parts are not damaged during the process.

CAUTION: For your safety, this product requires two people to lift.

PARTS LIST:

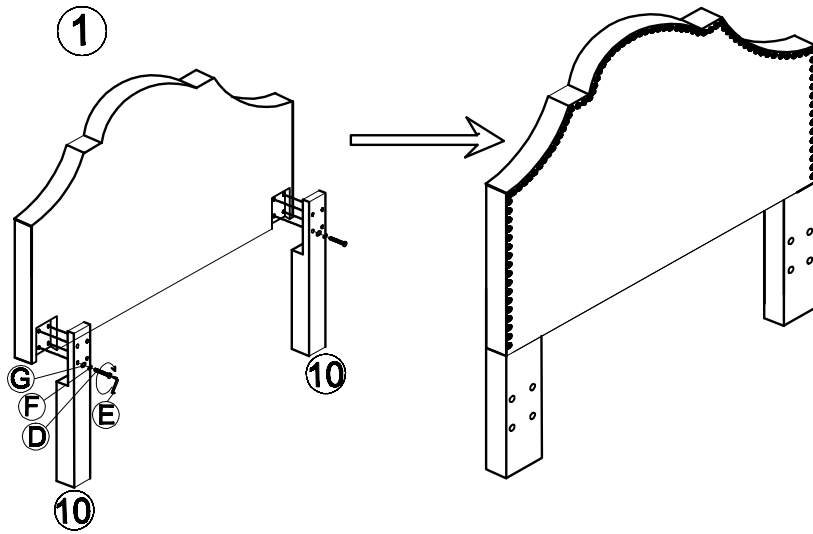
<p>① Headboard-1pc</p> 	<p>② Footboard-1pc</p> 	<p>③ Side Rail-2pcs</p> 	<p>④ Side Slat Wood -A-2pcs</p> 
<p>⑤ Side Slat Wood -B-4pcs</p> 	<p>⑥ Support Leg-2pcs</p> 	<p>⑦ Support Leg-5pcs</p> 	<p>⑧ Leg-2pcs</p> 
<p>⑨ Slats-5pcs</p> 	<p>⑩ Leg-2pcs</p> 	<p>⑪ Meatl Connector -4pcs</p> 	

HARDWARE LIST:

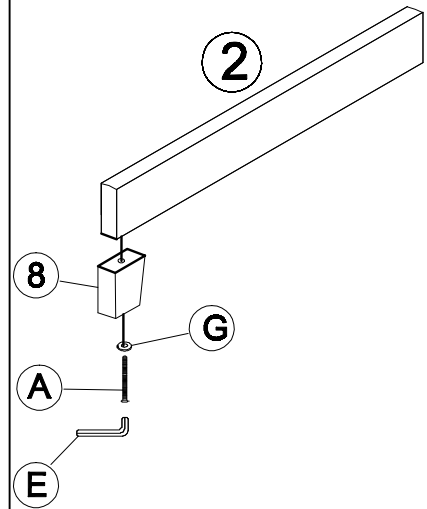
<p>Ⓐ Bolt M8*100mm-2pcs</p> 	<p>Ⓑ Bolt M8*40mm-16pcs</p> 	<p>Ⓒ Bolt M8*20mm-20pcs</p> 	<p>Ⓓ Bolt M8*50mm-8pcs</p> 
<p>Ⓔ Allen Key-1pc</p> 	<p>Ⓕ Spring Washer-24pcs</p> 	<p>Ⓖ Flat Washer-46pcs</p> 	<p>Ⓗ Screw M4*35-10pcs</p> 

ASSEMBLY INSTRUCTIONS

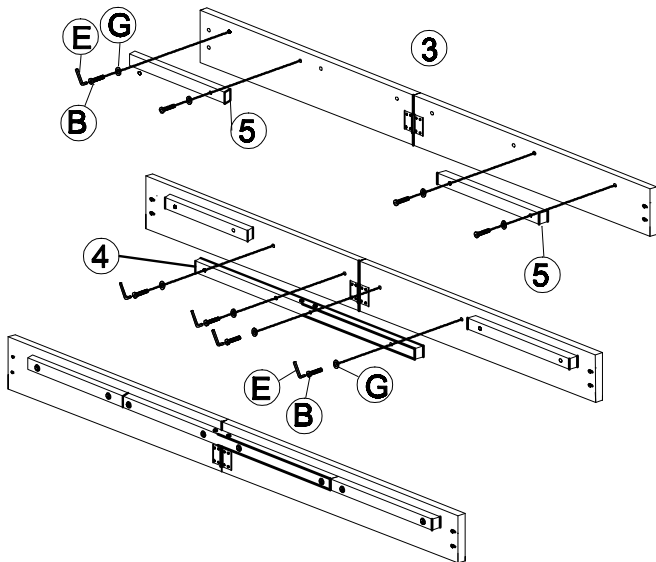
STEP 1:



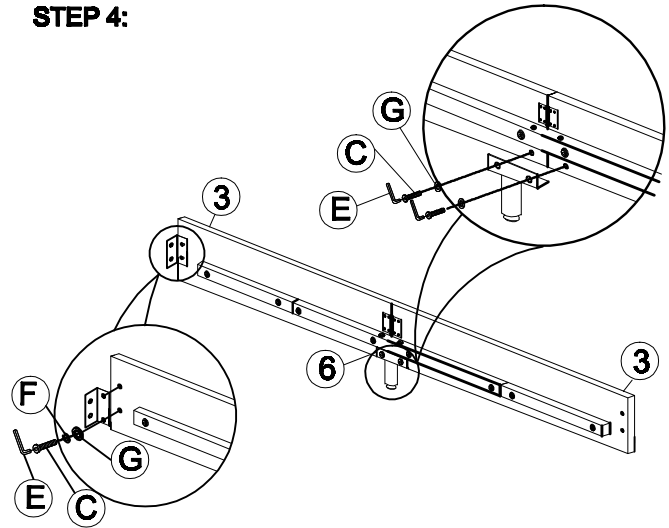
STEP 2:



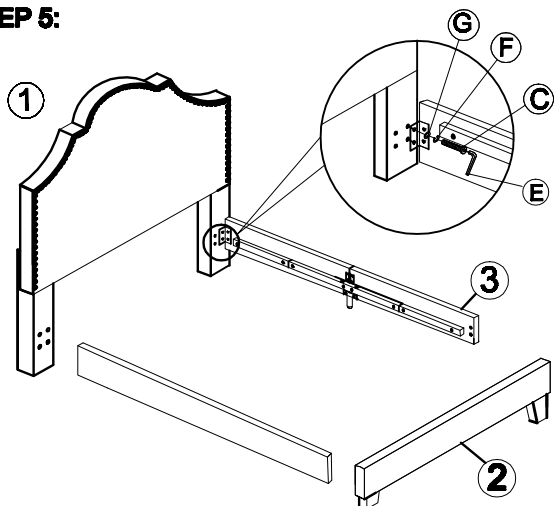
STEP 3:



STEP 4:



STEP 5:



STEP 6:

