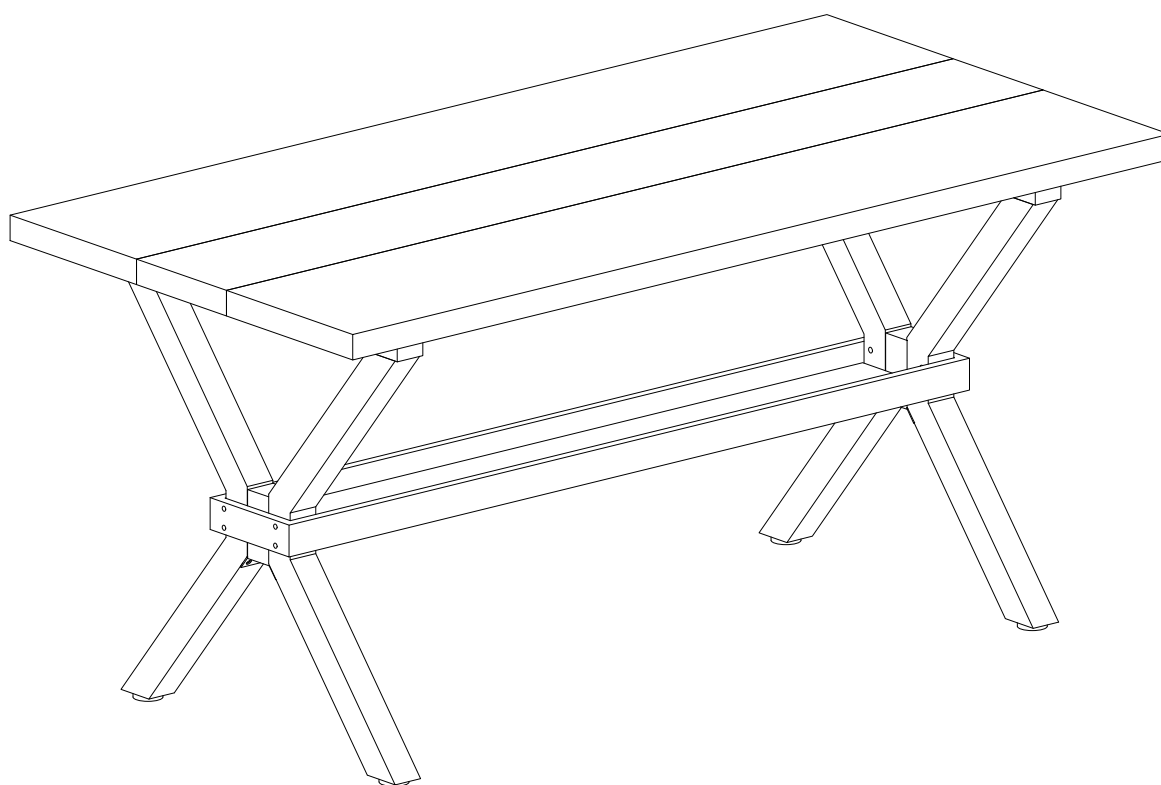
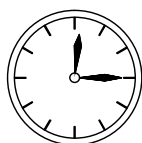
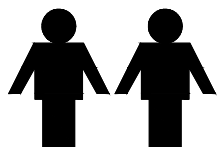
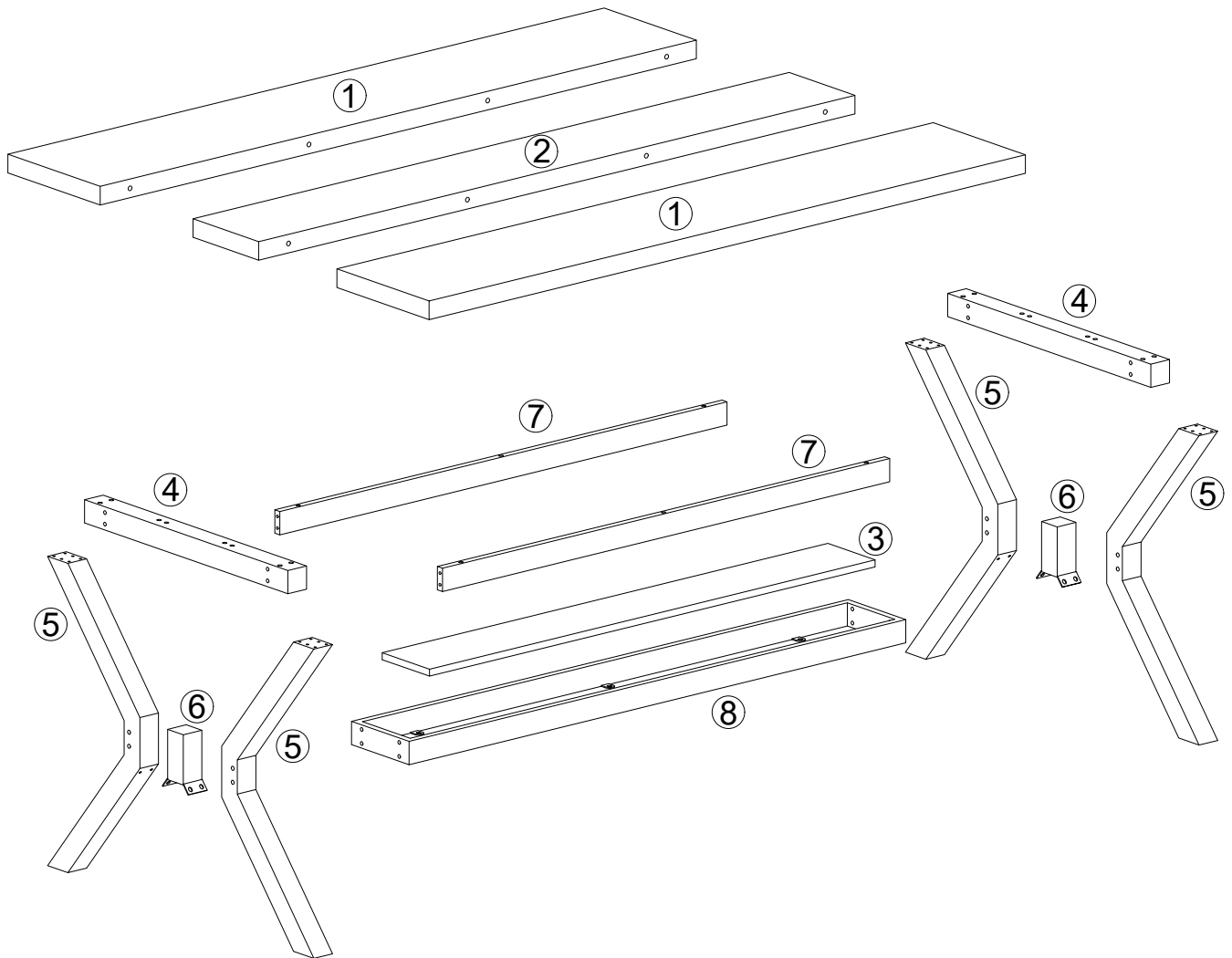


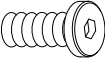
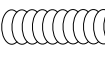
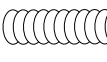
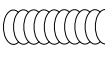
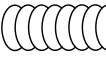
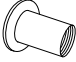

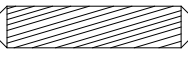
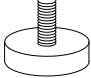
JA25009

ASSEMBLY INSTRUCTION

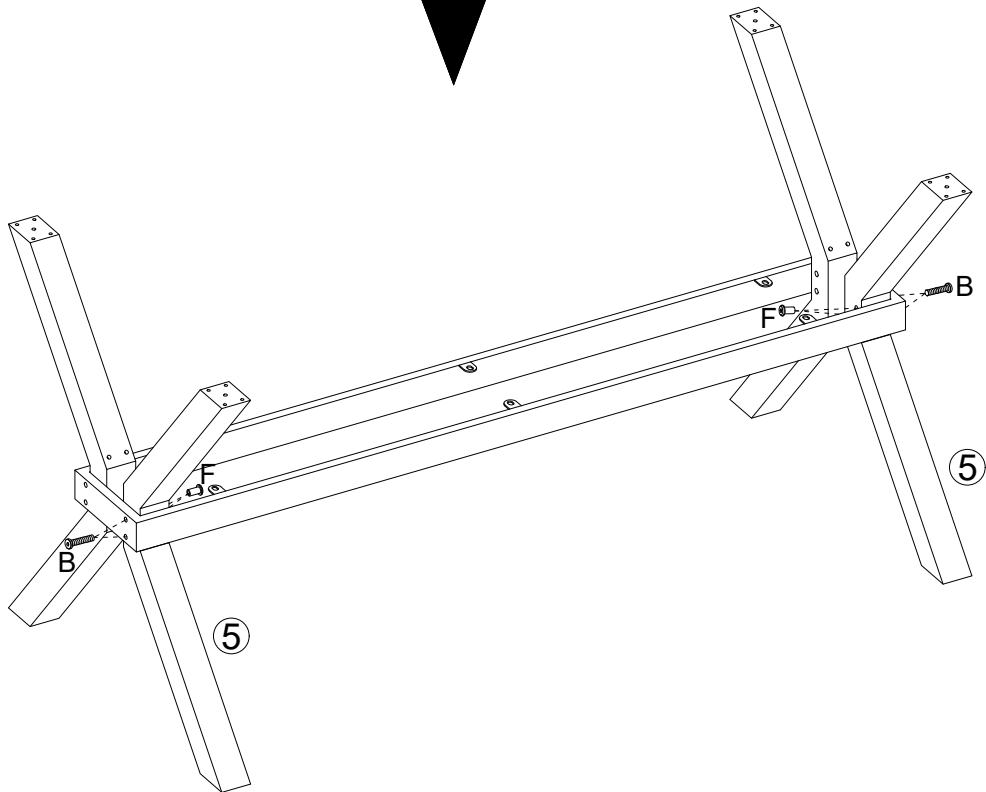
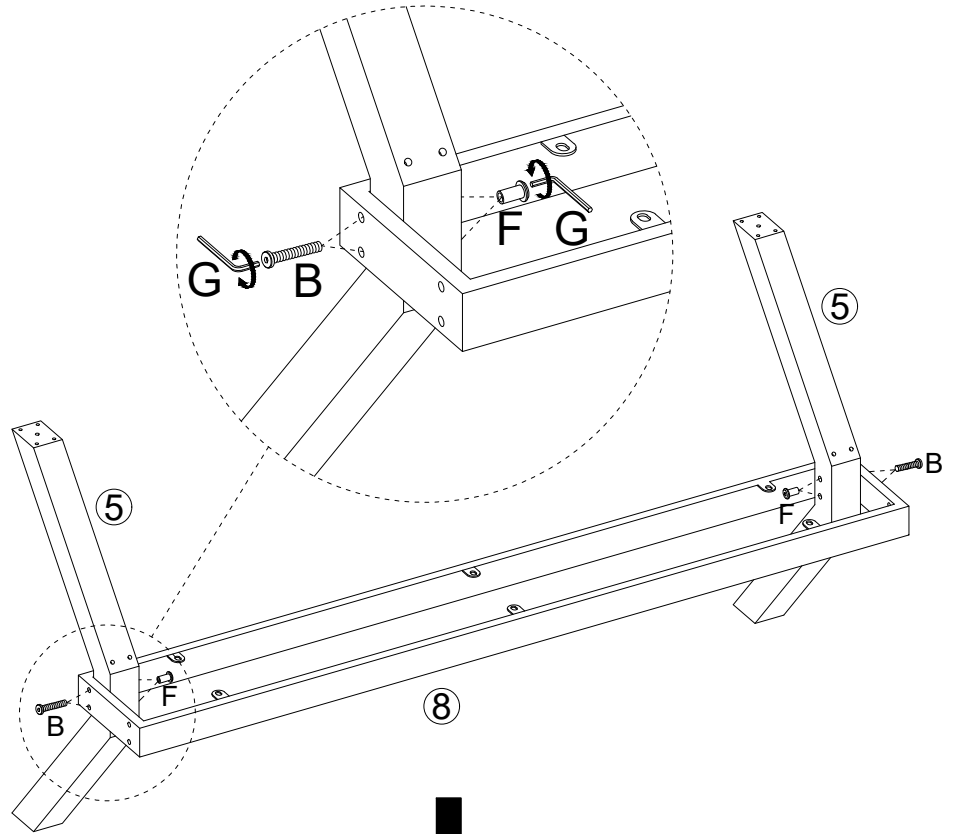
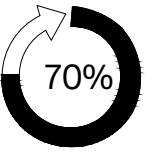


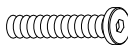


Notes: Don't fully tighten screws until all parts are confirmed in place to avoid misalignment.



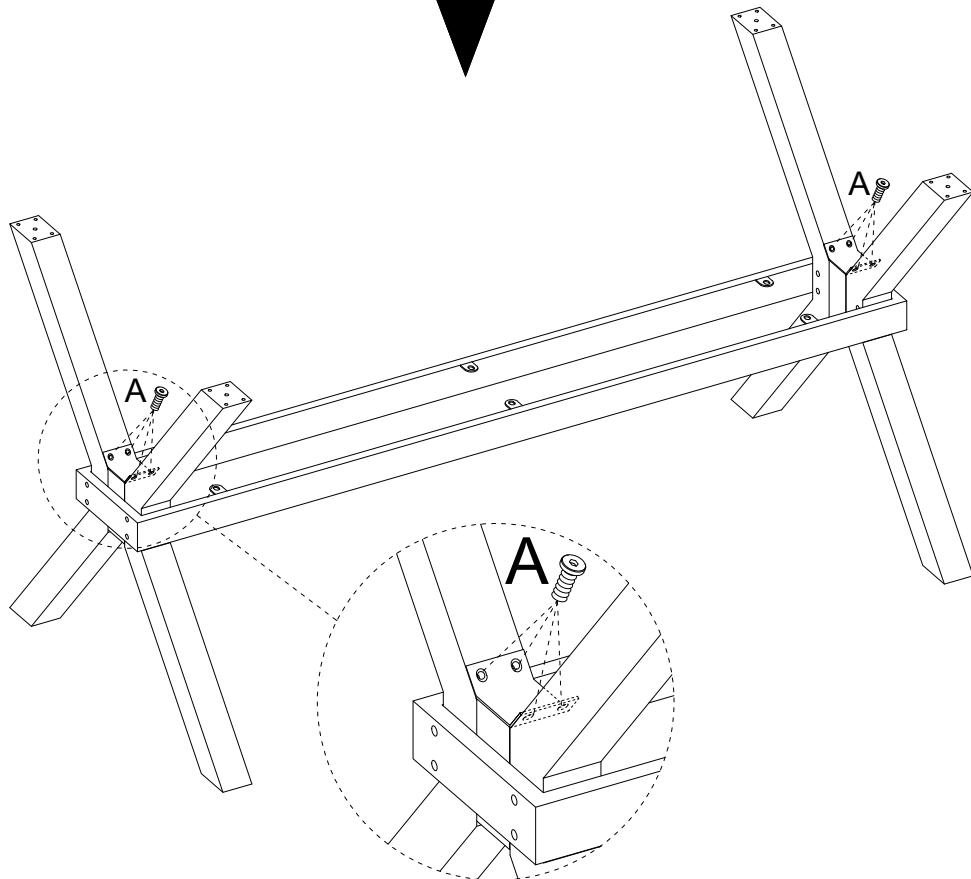
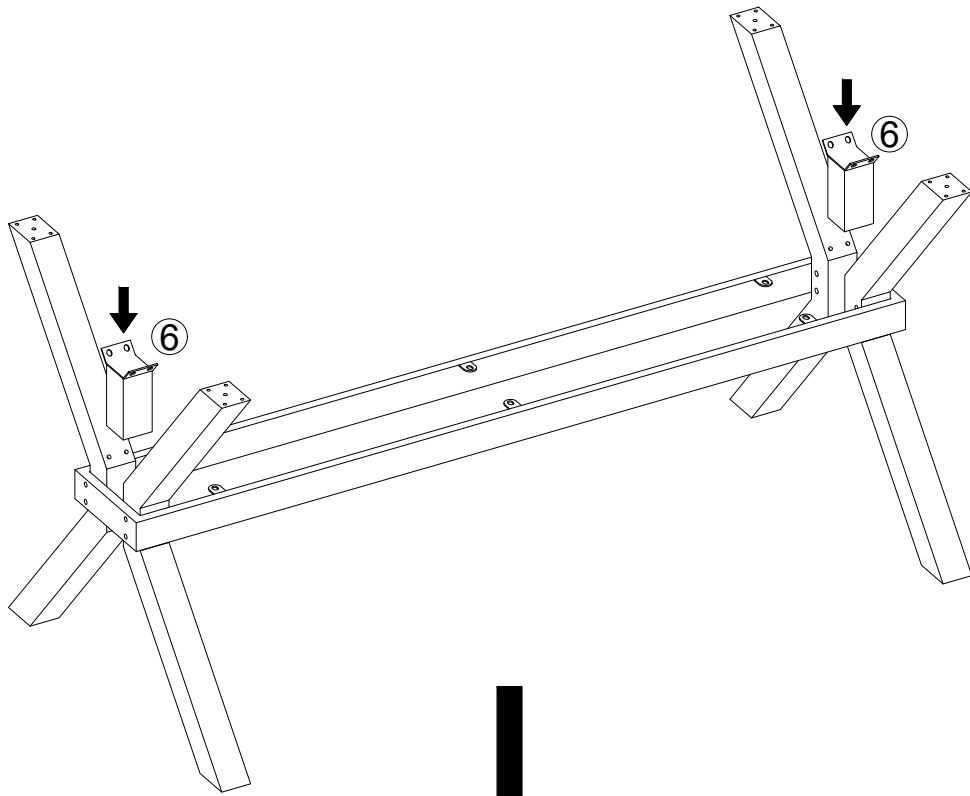
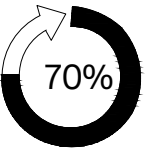
A	X14	B	X8	C	X14	D	X8	E	X8
									
M6X12mm		M6X58mm		M6X65mm		M6X70mm		M6X58mm	
F	X8	G	X2	H	X8	I	X4		
									
M6X15mm		M4X55mm		Ø10X50mm		M6XØ50mm			


STEP 1



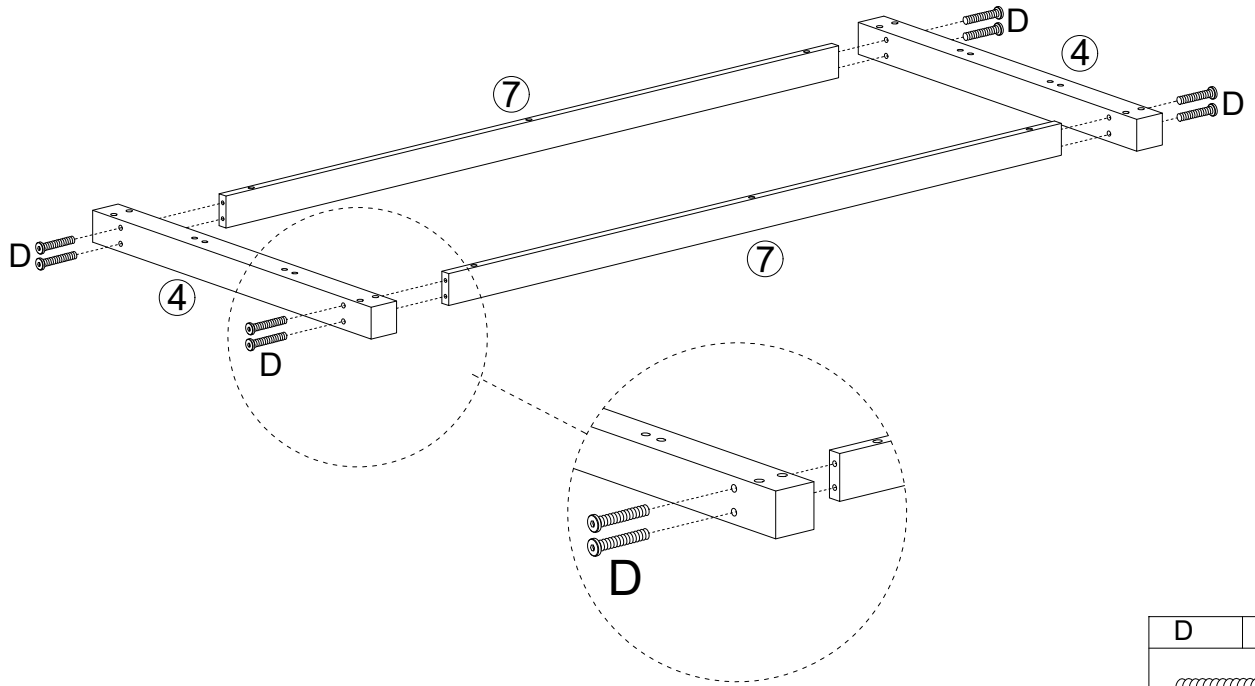
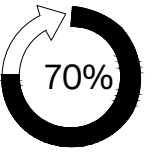
B	X8	F	X8	G	X2
					
M6X58mm		M6X15mm		M4X55mm	

STEP 2



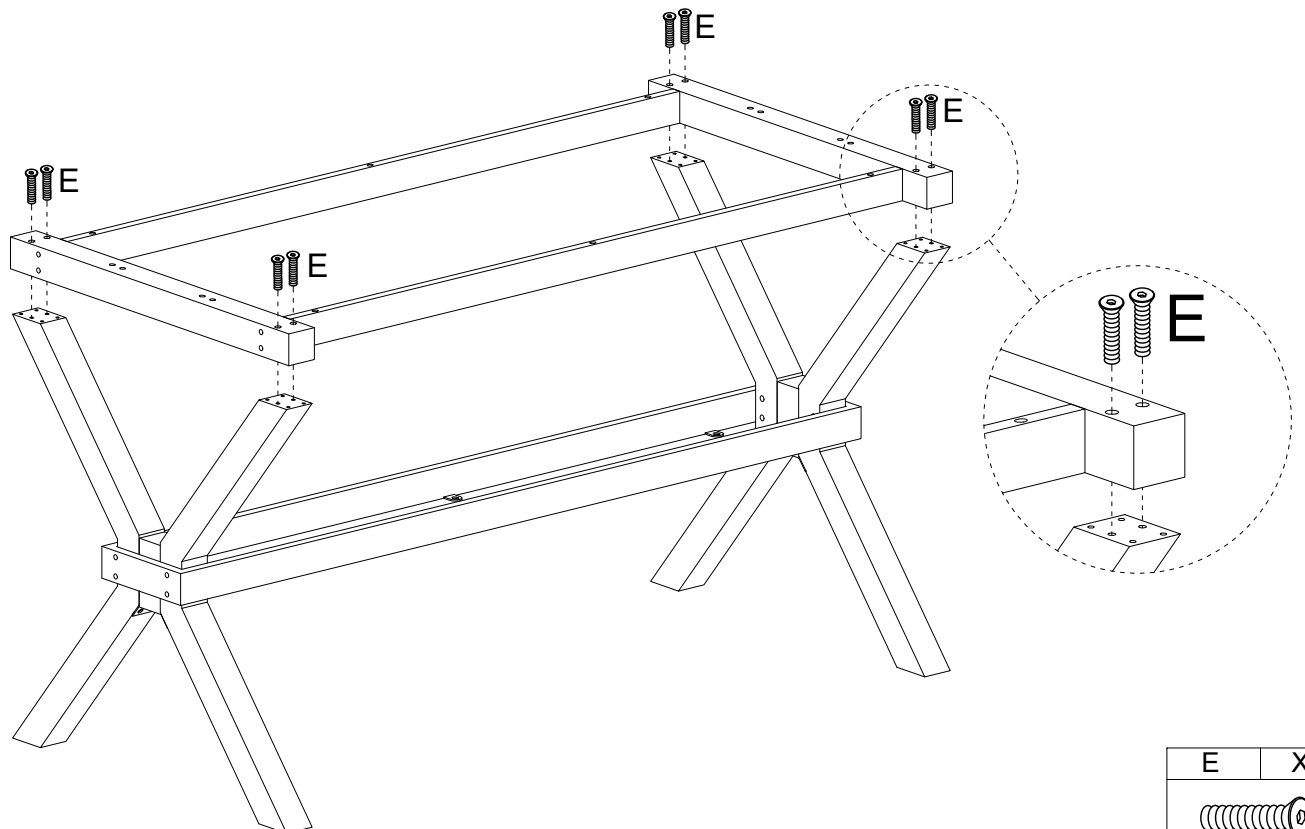
A	X8
	
M6X12mm	

STEP 3



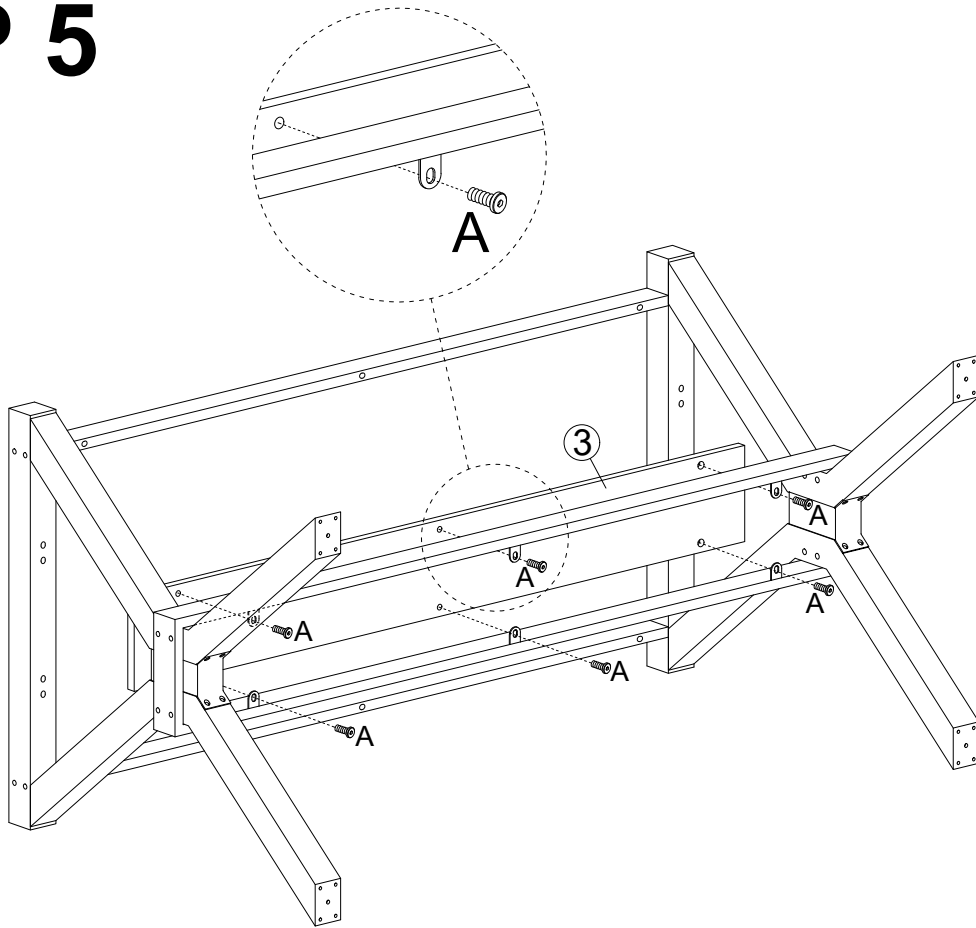
D	X8
M6X70mm	


STEP 4



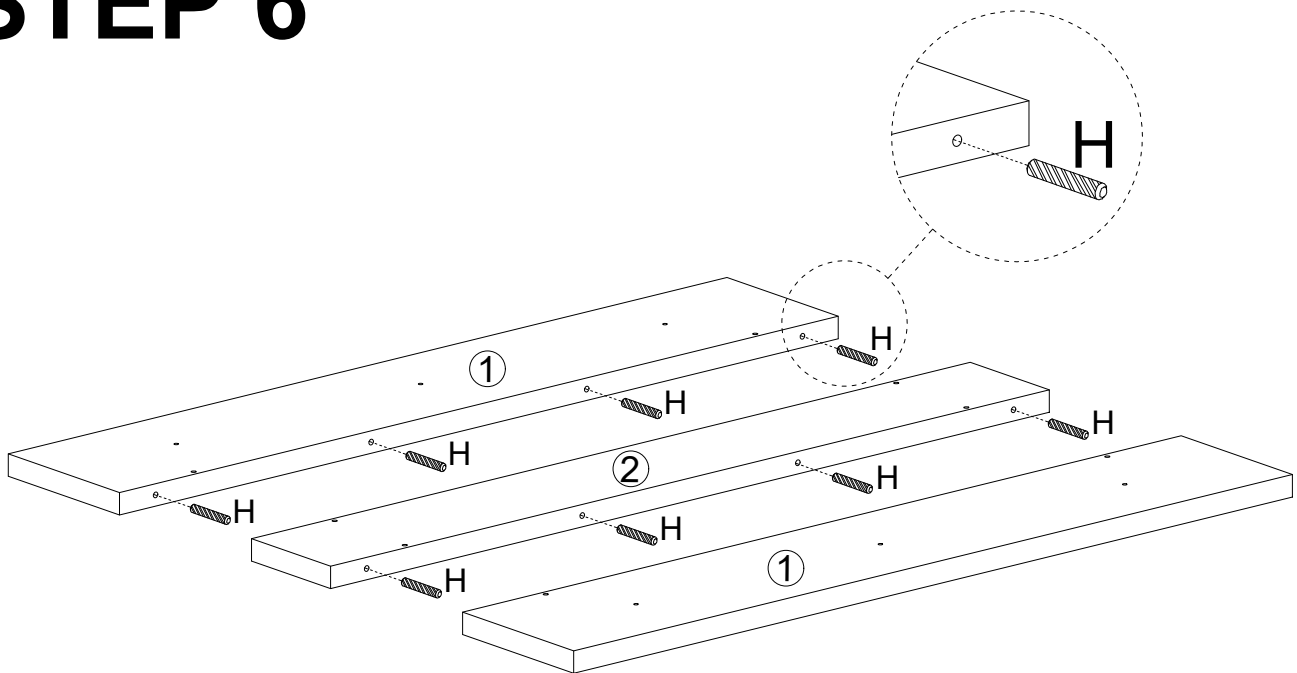
E	X8
M6X58mm	


STEP 5



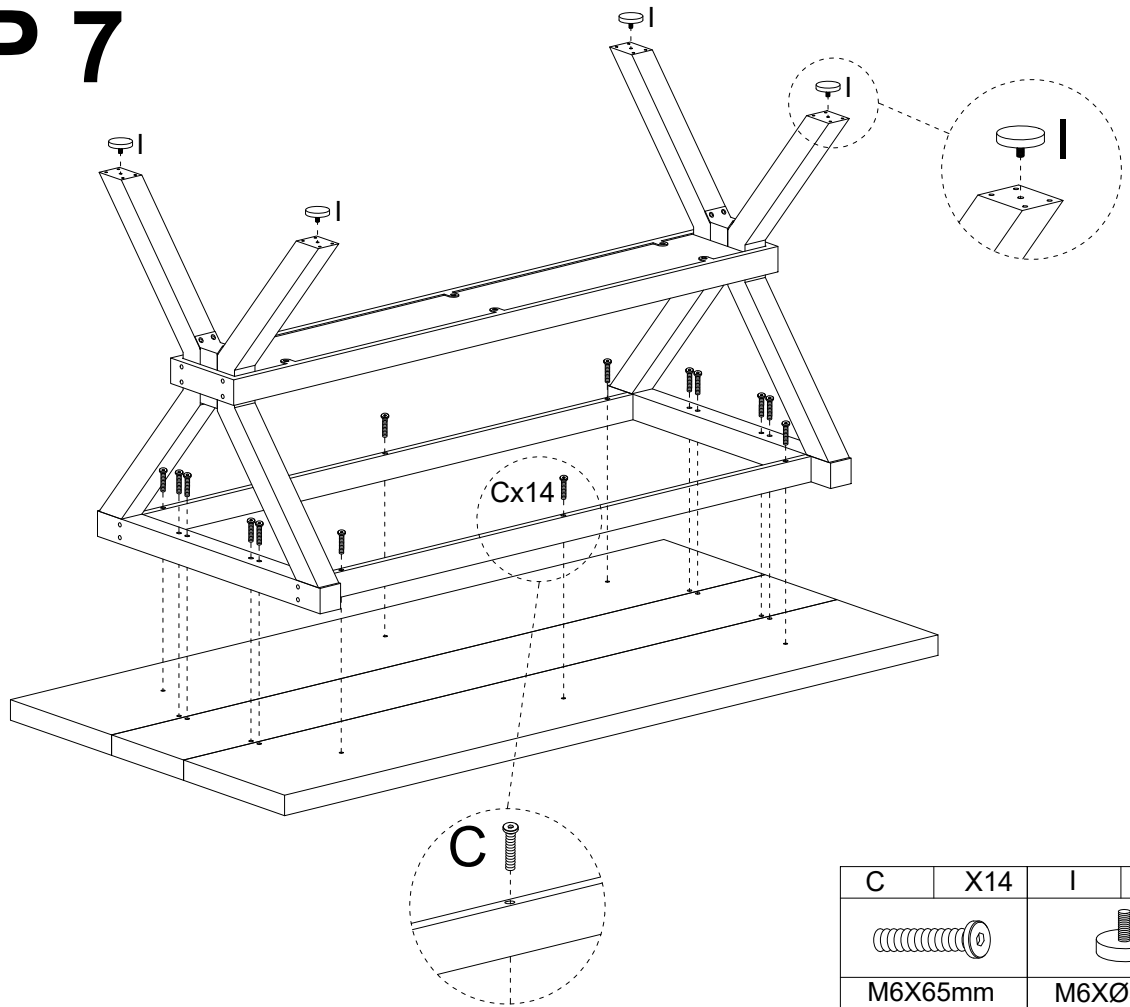
A	X6
	
M6X12mm	

STEP 6



H	X8
	
Ø10X50mm	

STEP 7



STEP 8

