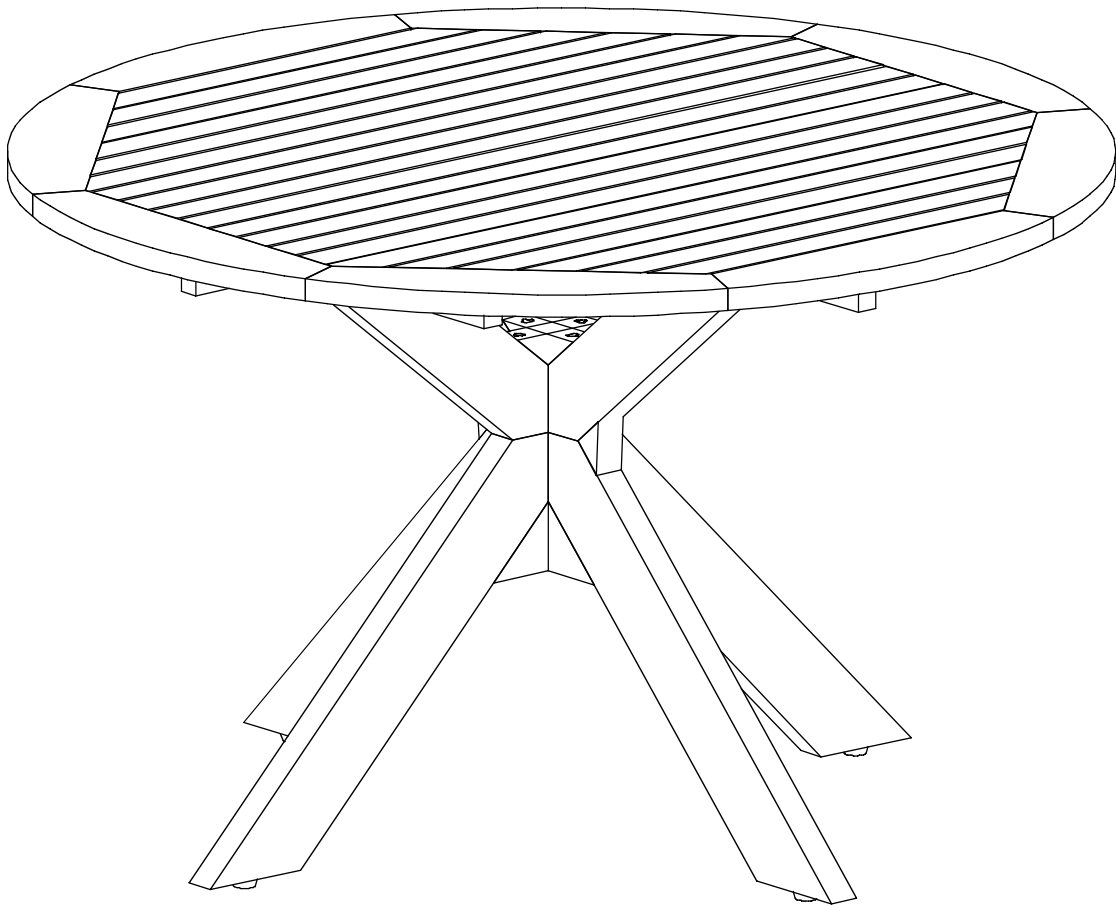


Assembly Instructions

Caution: You must read this before you process

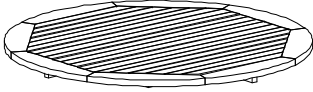
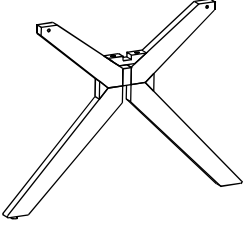
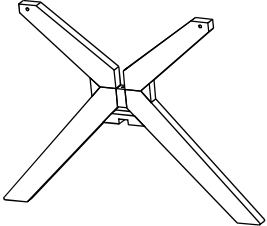
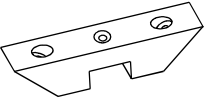
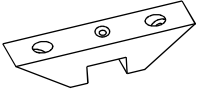
Please look underneath Table top for hardware packs

TABLE

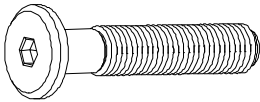
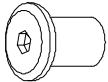
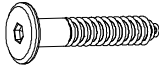
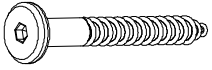




CAUTION : This Table is NOT a TOY.
Keep your child / children at bay during the assembly process.
When moving the Table and to prevent any possible damage, two adults are needed to execute this action.

Parts List

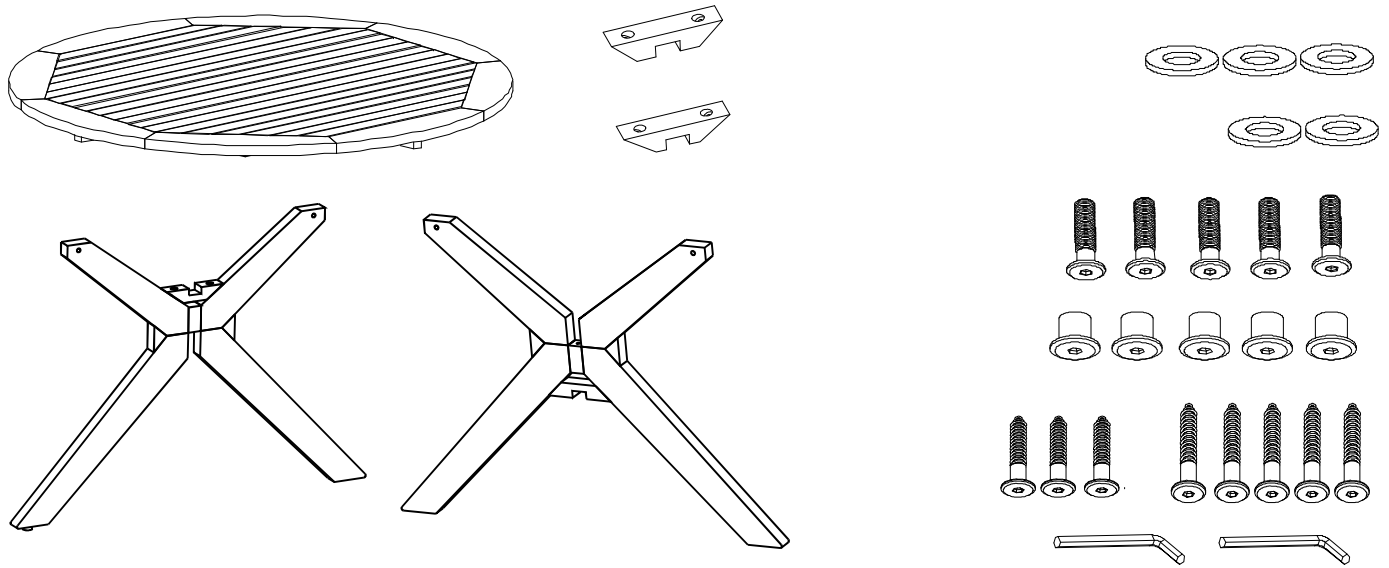
Label	Picture	Description	QTY
A		Table Top	1
B		First Leg Frame (with Leveler)	1
C		Second Leg Frame (with Leveler)	1
D		Upper Cross Block	1
E		Lower Cross Block	1

Hardware

Label	Picture	Description	QTY
①		Short Bolts (M8x55mm)	5
②		Sleeve Nut (M8x20mm)	5
③		Screw (M6x30mm)	3
④		Screw (M6x40mm)	5
⑤		Allen Wrench	2
⑥		Iron washer	5

Assembly Preparation

Before Beginning Assembly:



- Read instructions, cover to cover-



- Have 2 adults on hand for assembly-



- Do not assemble on flooring or carpet-



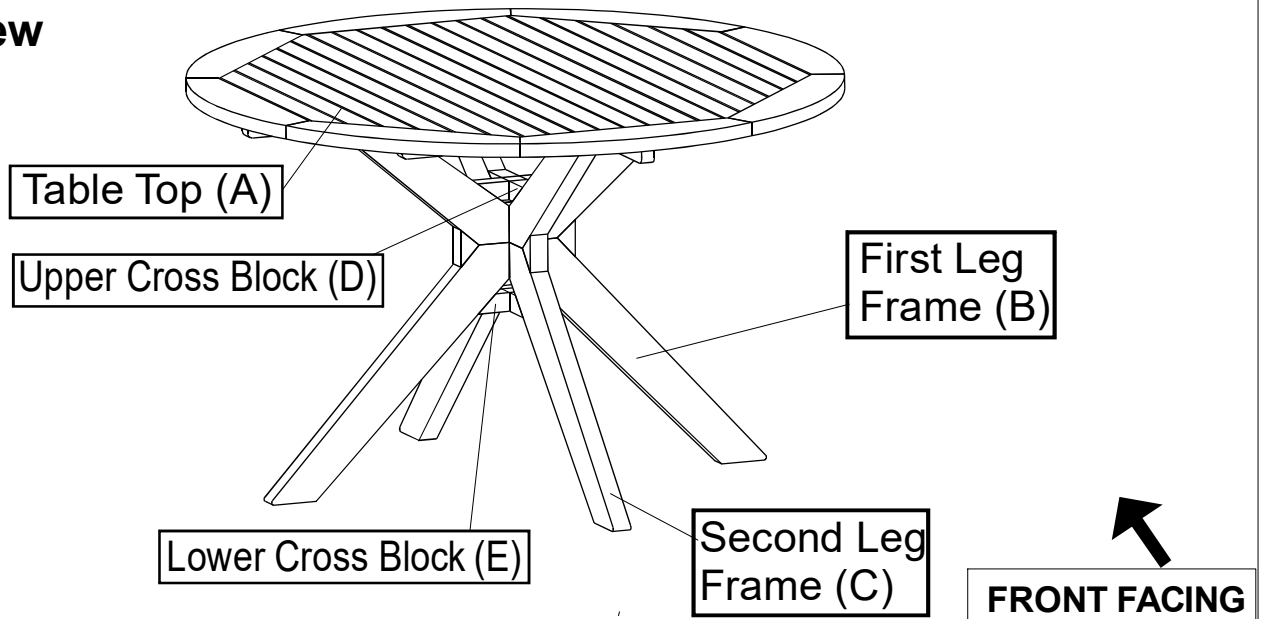
- Assemble on a clean non-marring surface (packing foam)-



- Save all packaging until finished-

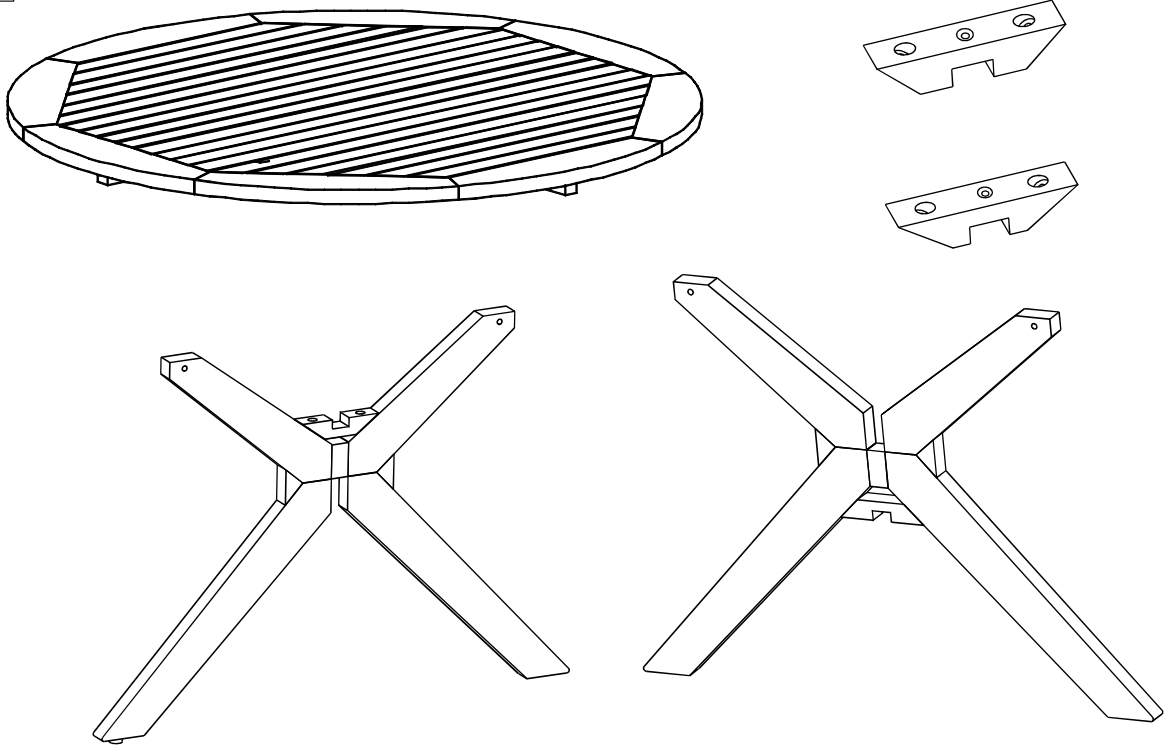
Assembly Steps

Overview



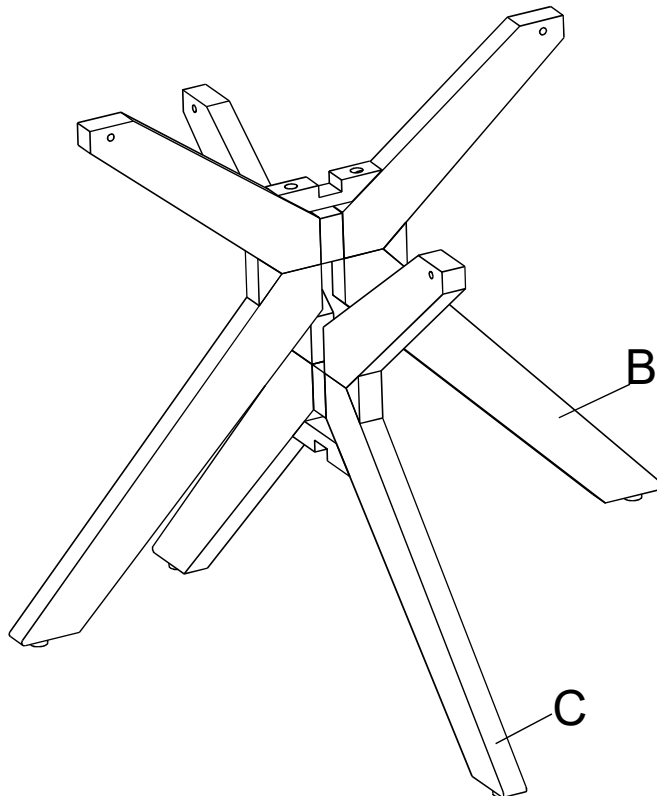
This Table has multiple parts and may require up to 30 minutes to assemble. To give you an overview, the above picture is provided to help you put the various parts into perspective. Please read through the instructions below to familiarise yourself with the parts and steps before assembly.

Step 1



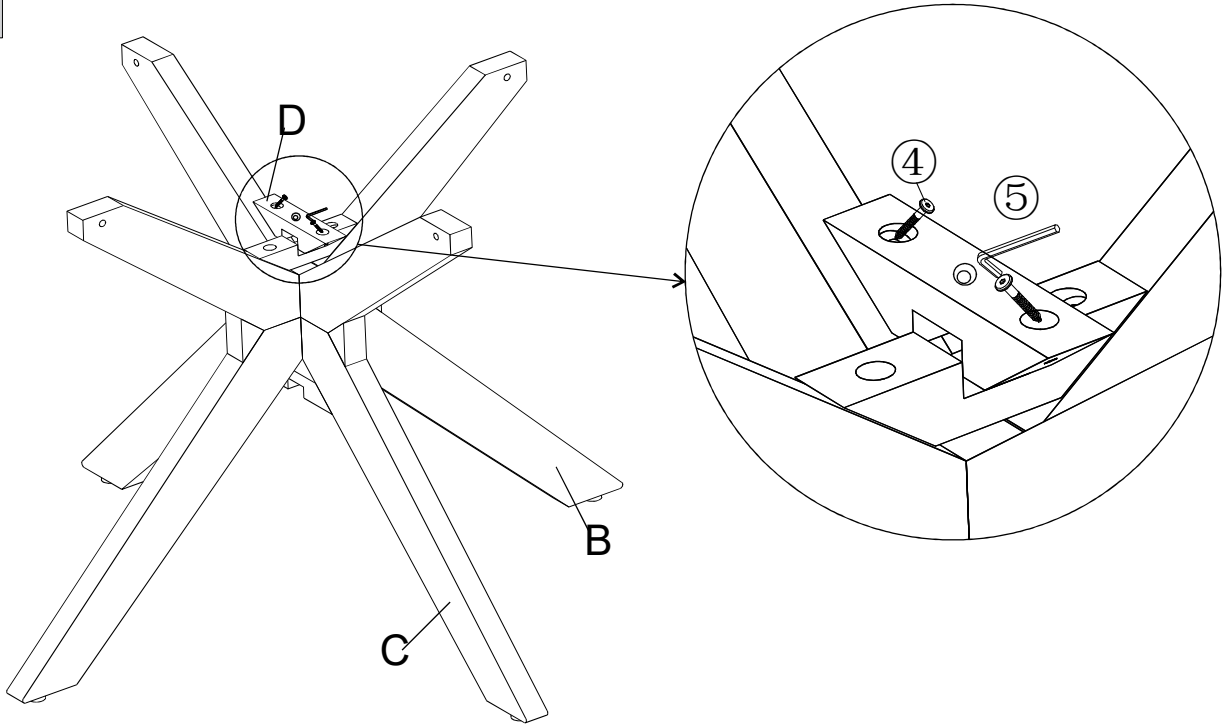
Unpack and place all parts on a clean, non-marring surface.

Step 2



With the assistance of your partner, position the First Leg Frame (B) to the Second Leg Frame (C) as shown in the above picture.

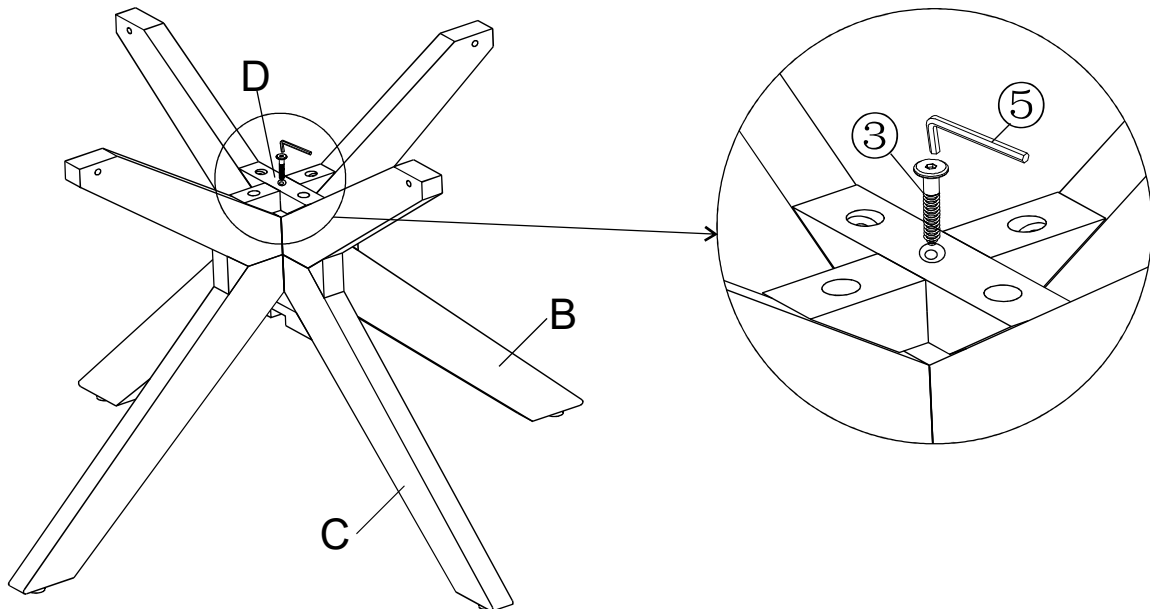
Step 3



Use Screws (④) and the Allen Wrench (⑤) to attach the Upper Cross Block (D) in step 2 onto the Second Leg Frame (C) as shown in the above picture.

Do not fully tighten the Screws at this time.

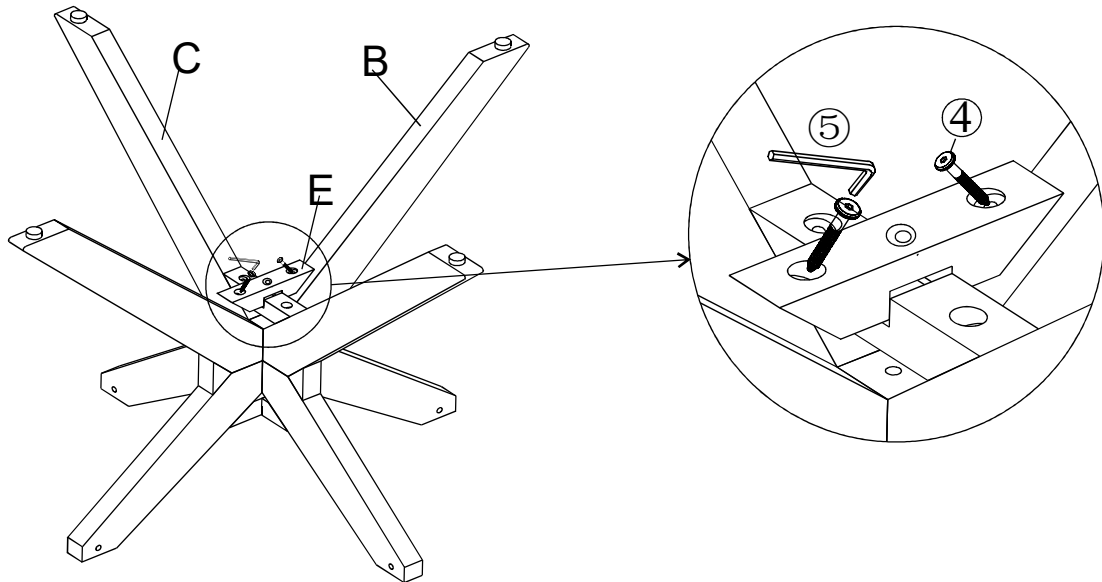
Step 4



Use Screws (③) and the Allen Wrench (⑤) to attach the Upper Cross Block (D) into Cross Block of Second Leg Frame (C) as shown in the above picture.

Do not fully tighten the Screws at this time.

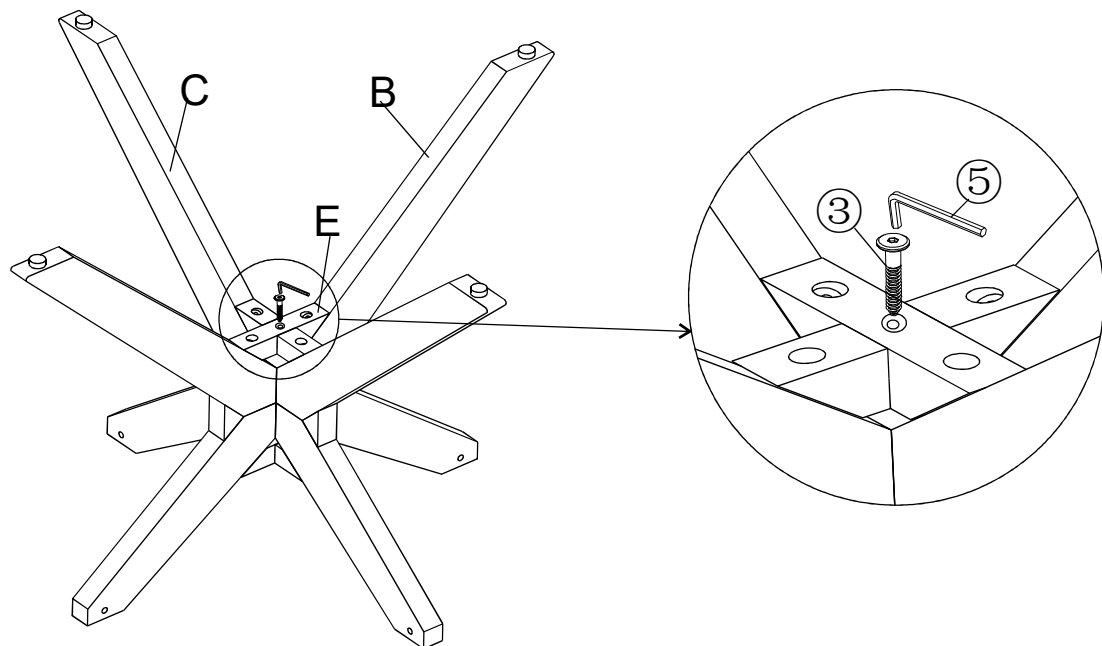
Step 5



With the assistance of your adult partner, turn the assemble in step 4 180 degrees.

Use Screws (④) and the Allen Wrench (⑤) to attach the Lower Cross Block (E) into the First Leg Frame (B) as shown in the above picture.
Do not fully tighten the Screws at this time.

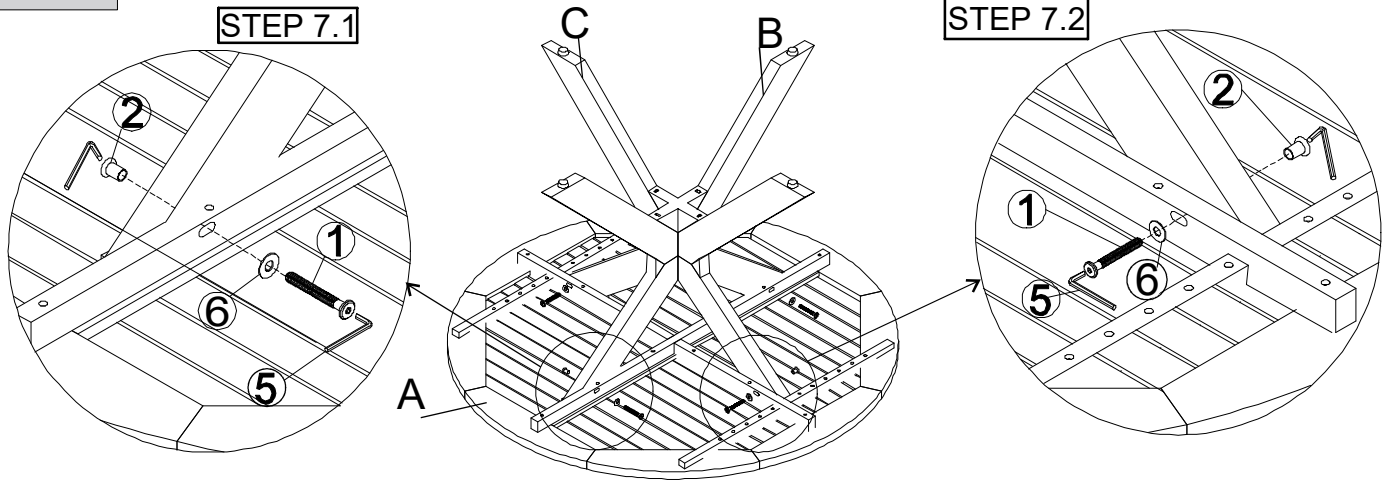
Step 6



Use Screws (③) and the Allen Wrench (⑤) to attach the Lower Cross Block (E) into Cross Block of Second Leg Frame (B) as shown in the above picture.

Do not fully tighten the Screws at this time.

Step 7



Place the Table top (A) with its underside skywards onto a clean, soft surface to avoid any scratches or possible damage to the product.

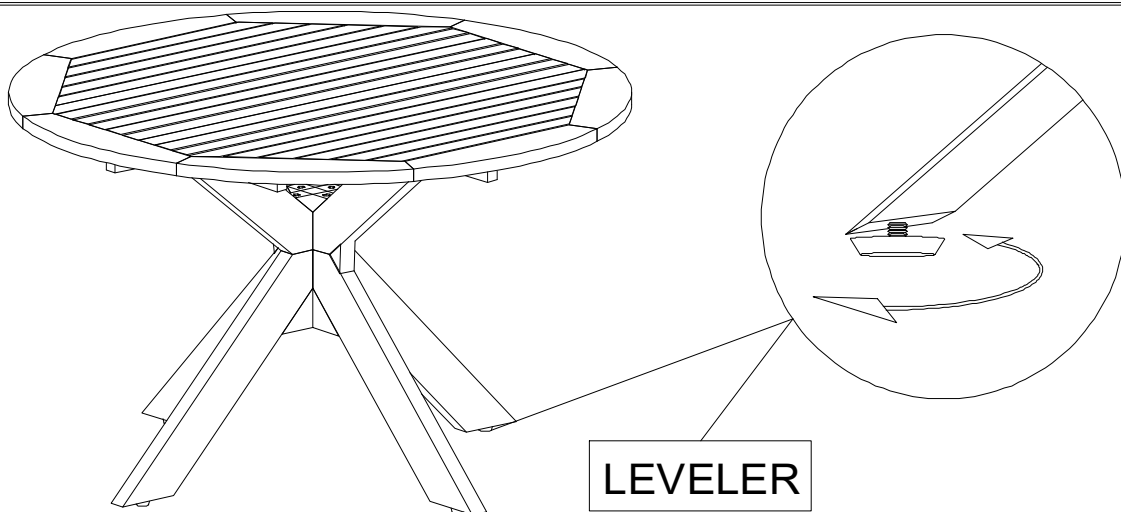
Position the assemble from step 5 onto the Table Top (A)

6.1) Using 2 Short Bolts (①), 2 Sleeve N uts (②), 2 Iron Washers (⑥) and the Allen Wrench(⑤) connect the middle support bar of the Table Top (A) and the Leg Frame (B & C).

6.2) Using 2 Short Bolts(①), 2 Sleeve N uts (②), 2 Iron Washers (⑥) and the Allen Wrench(⑤) connect the side support bar of the Table Top(A) and the Leg Frame (B & C).

**Note: In this step, the legs with levelers will be upside down
Do not fully tighten the Bolts at this time.**

Step 9





With assistance from your adult partner, turn the Table back to its normal upright position.
EXERT pressure, floorwards, onto the Table.
This pressure will help the Legs and Table Top reach alignment at all joints.
Check for wobbles.

In a sequential manner, gradually tighten all Screws and Bolts until evenly secured.

Inspect the Table and make sure all parts are adequately connected.
Your Table is ready for use.

This Table can only be used on a flat, level surface.

Care & Maintenance

- ✓  ● Furniture may scratch floors. We recommend using furniture pads to protect your floors.
- ⊘  ● Do not put hot items directly on furniture surface
- ⊘  ● Do not clean furniture with harsh cleansers or polish.
- ⊘  ● Do not place furniture under direct sunlight.
- ⊘  ● Do not place furniture near heating or cooling vents.
- ⊘  ● Do not write on furniture without a padded barrier to protect the surface.
- ⊘  ● Do not place furniture outside . For indoor use only .
- ⊘  ● Not for commercial use. For residential use only .
- ⊘  ● Stains may be removed with mild soap solution and damp cloth.
- ⊘  ● Children should not climb or jump on the furniture.
- ✓  ● Dust and pick-up spills using a clean, non-colored, lint-free cloth .