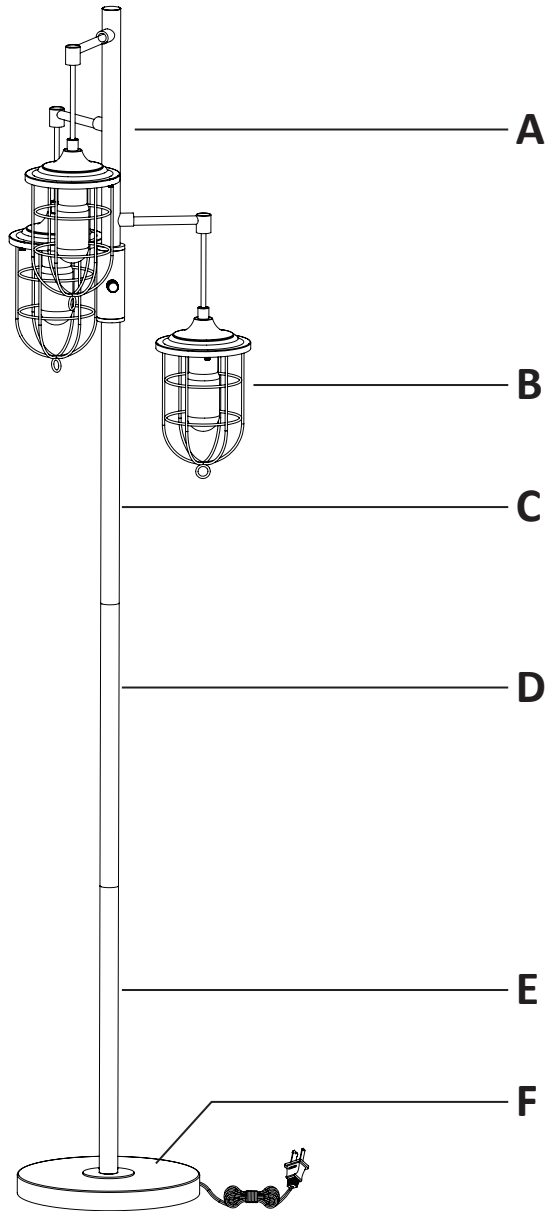


# USE AND CARE MANUAL

## FLOOR LAMP

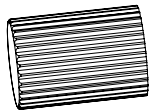


### Hardware (Parts are not to scale)

**H1**

Cap nut (Pre-assembled to the cap of the socket assembly (A))

6 pcs



**H7**

2W LED Bulb

3 pcs



**THIS MANUAL CONTAINS IMPORTANT SAFETY INFORMATION. PLEASE READ AND KEEP FOR FUTURE REFERENCE.**

---

# IMPORTANT SAFETY INFORMATION

- This lamp is for indoor use only. The lamp should not be used near water. Never immerse the lamp in water or other liquids.
- Never cover the lamp with any object including cloth or paper as this is a fire hazard.
- Do not handle the bulb immediately after the light is turned off as it will be hot.
- This portable lamp has a polarized plug (one blade is wider than the other) as a safety feature to reduce the risk of electric shock. This plug will fit into a polarized outlet only one way. If the plug does not fit fully into the outlet, reverse the plug. If it still does not fit, contact a qualified electrician. Never use with an extension cord unless plug can be fully inserted. Do not alter the plug.

---

## PREPARATION

- Before beginning assembly, installation or operation of product, make sure all parts are present. Compare parts with package contents list and diagram on previous page. If any part is missing or damaged, do not attempt to assemble, install or operate the product. Contact customer service for replacement parts.

---

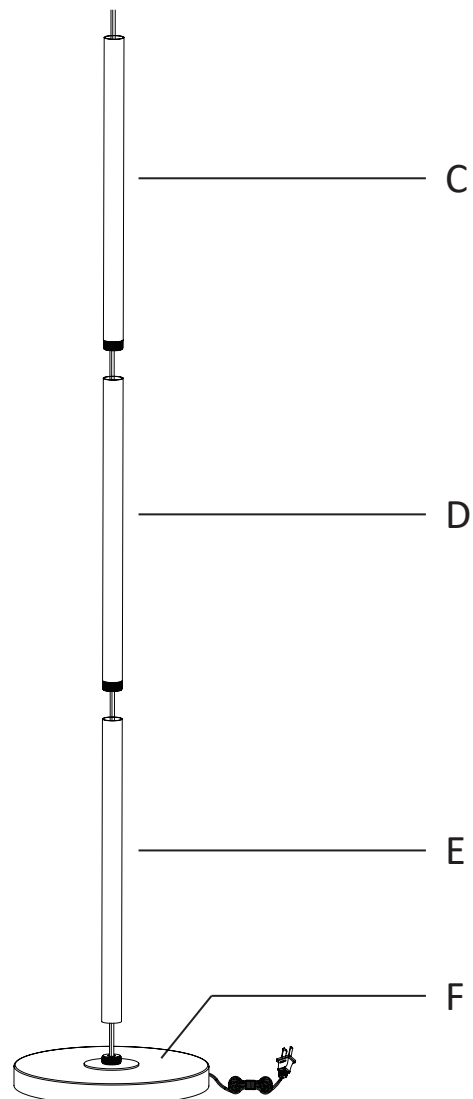
## ASSEMBLY

---

### 1 Assembling the tubes onto the base

- Pull the excess power cord through the base (F).
- Tighten the lower tube (E) onto the base (F).
- Tighten the middle tube (D) onto the lower tube (E).
- Tighten the upper tube (C) onto the middle tube (D).

**NOTE:** Do not twist the power cord.

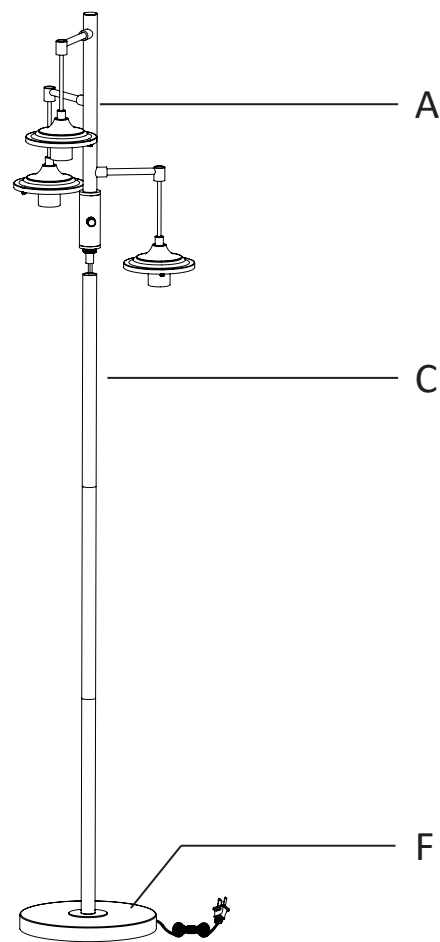


# ASSEMBLY (continued)

## 2 Assembling the socket assembly to the upper tube

- Pull the excess power cord through the base (F).
- Tighten the socket assembly (A) onto the upper tube (C).

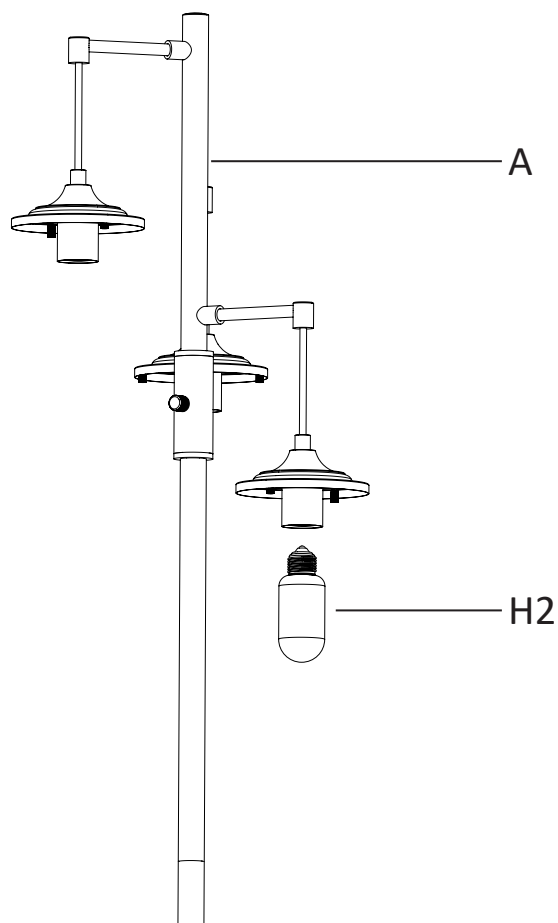
**NOTE:** Do not twist the power cord.



## 3 Installing the upper light bulb

- Install the light bulbs (H2) into the sockets. Use three **MAX 9W medium base (E26) self-ballasted LED bulbs (2 W medium base (E26) type "T45" LED bulbs (H2) included).**

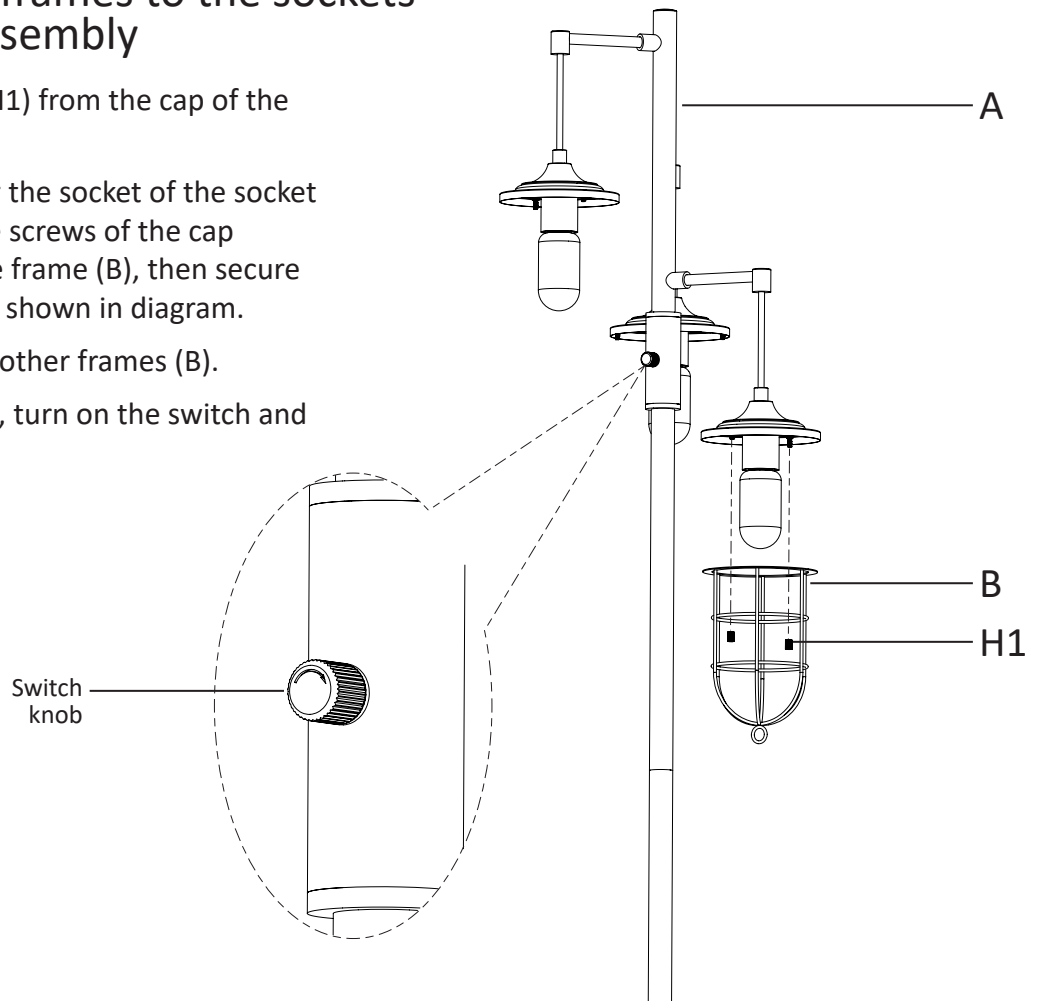
**NOTE:** You can also use three **MAX 60W medium base (E26) type "T" or type "A"** bulbs. Do not exceed the recommended wattage.



# ASSEMBLY (continued)

## 4 Assembling the frames to the sockets of the socket assembly

- Unscrew the cap nuts (H1) from the cap of the socket assembly (A).
- Place the frame (B) over the socket of the socket assembly (A) and let the screws of the cap through the holes of the frame (B), then secure with the cap nut (H1) as shown in diagram.
- Repeat this step for the other frames (B).
- Plug into the wall outlet, turn on the switch and enjoy.



## CLEANING

- Do not use any cleaners with chemicals, solvents, or harsh abrasives. Use only a dry, soft cloth to dust or wipe carefully.
- To clean the fixture, pull the plug from the wall outlet. Use a dry or slightly dampened, clean cloth to wipe the exterior surface of the fixture.

## TROUBLESHOOTING

- The light does not come on at all:
  - a) Ensure whether the bulb is burned out.
  - b) Ensure the power supply is turned on.
  - c) Ensure the cord is plugged into an outlet.
  - d) Ensure the circuit breaker is set in the "ON" position.
- Fuse blows or circuit trips when light is turned on.
  - a) Check for crossed wires, ensure wiring is correct.

