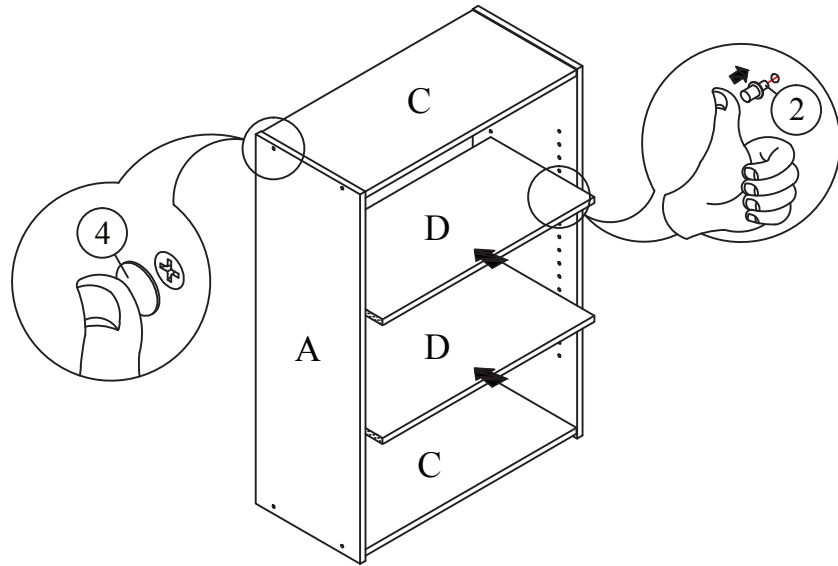
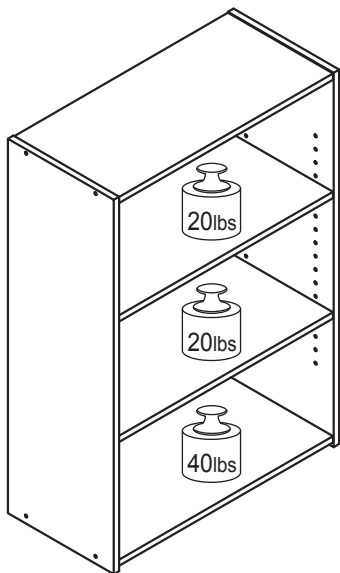


STEP 3



Recommended Maximum Weight



WARNING:

>This unit has been designed to support the maximum loads shown. Exceeding these load limits could cause sagging, instability, product collapse, and/or serious injury.

>DO NOT allow children to climb on unit.

>Put heavier items on lower shelves.

Assembly Instruction

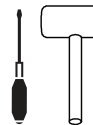
3-Shelf Bookcase

00:20

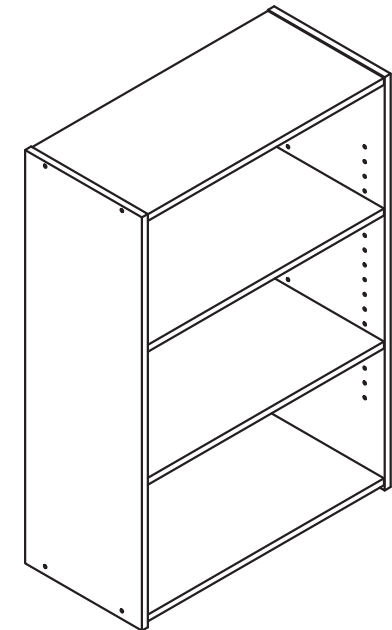
Approx. 20 minutes



Recomm. 1 Person





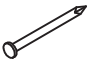

Tool Required



Customer Support

NEED HELP? For help with assembly, or if you are missing a part, please call our Customer Service.



| NO | HARDWARE LIST | | QTY |
|----|------------------|---|--------|
| 1 | 45MM C/B SCREW |  | 8 PCS |
| 2 | SHELF SUPPORT |  | 8 PCS |
| 3 | NAIL |  | 24 PCS |
| 4 | SCREW COVER CARD |  | 1 PC |

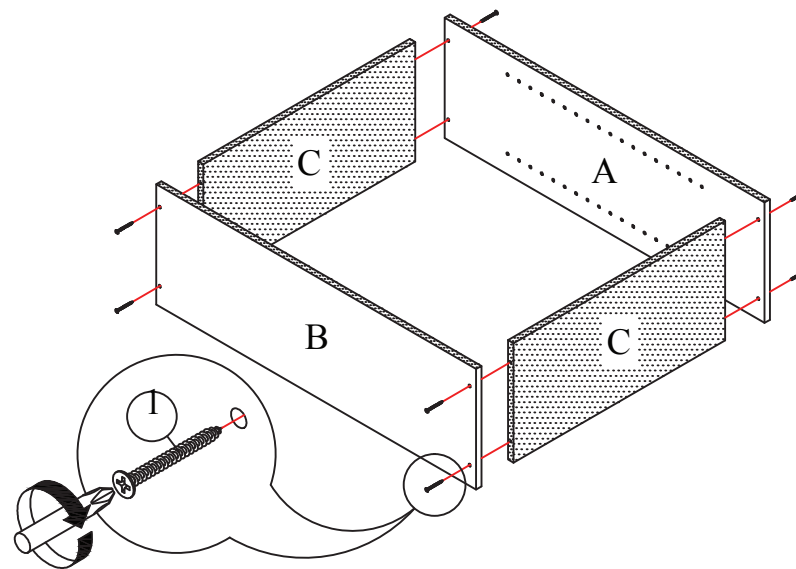
| NO | PARTS LIST | QTY |
|----|------------------------|-------|
| A | LEFT SIDE PANEL | 1 PC |
| B | RIGHT SIDE PANEL | 1 PC |
| C | FIXED SHELF PANEL | 2 PCS |
| D | ADJUSTABLE SHELF PANEL | 2 PCS |
| E | BACK PANEL | 1 PC |

USEFUL HINTS BEFORE YOU START:

1. Read each step carefully before starting.
2. It is important that each step is performed in correct order to avoid difficulties.
3. Identify, sort and count the parts before assembly.
4. Assemble your furniture on packaging cardboard to prevent scratch or damage.
5. Clean the product with mild cleanser using soft damped cloth. Do not use harsh or abrasive cleanser.
6. Using incompatible hardware might cause damage to product.

ASSEMBLY INSTRUCTIONS

STEP 1



STEP 2

