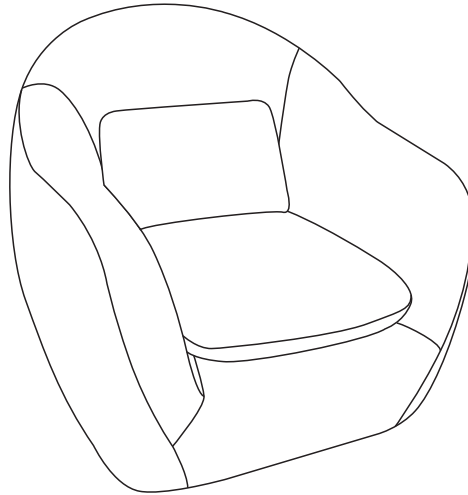


USER'S MANUAL

SWIVEL ACCENT CHAIR



Guide of Manual

- ★ Thanks for your choice. We will do our best to provide customer service for everyone.
- ★ Please check to make sure all parts are included as stated when you unpack. If there are parts missing or wrong, please contact us, we will expeditiously provide reissue accessories, compensation or other services.
- ★ Instruction should be read carefully. But the manual may not cover every detail of all possible situations and steps. Please contact us if further information and help are needed. We will respond in a timely manner.
- ★ Please be patient that the other items are on the way if you buy more than one product.

Warning

- Do not let children play or jump on the product. Do not stand on the item or use as a step ladder.

Care and Maintenance

- Use a soft, clean cloth that will not scratch the surface when dusting.
- There's no need to use furniture polish. If you need, test it first in an inconspicuous area. Using solvents of any kind on your furniture may damage the finish. Never use water to clean your furniture as it may cause damage to the finish.
- Liquid spills should be removed immediately. Gently blot the spill with a soft clean cloth to avoid rubbing.

Further Advice About The Furniture Care

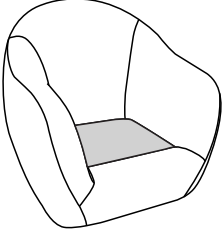


- It is best to keep your furniture in a climate-controlled environment.
- We recommend to keep furniture from sunlight exposure to avoid possible surface damage.
- Following these important and helpful tips will help retain your furniture's performance even when it ages.

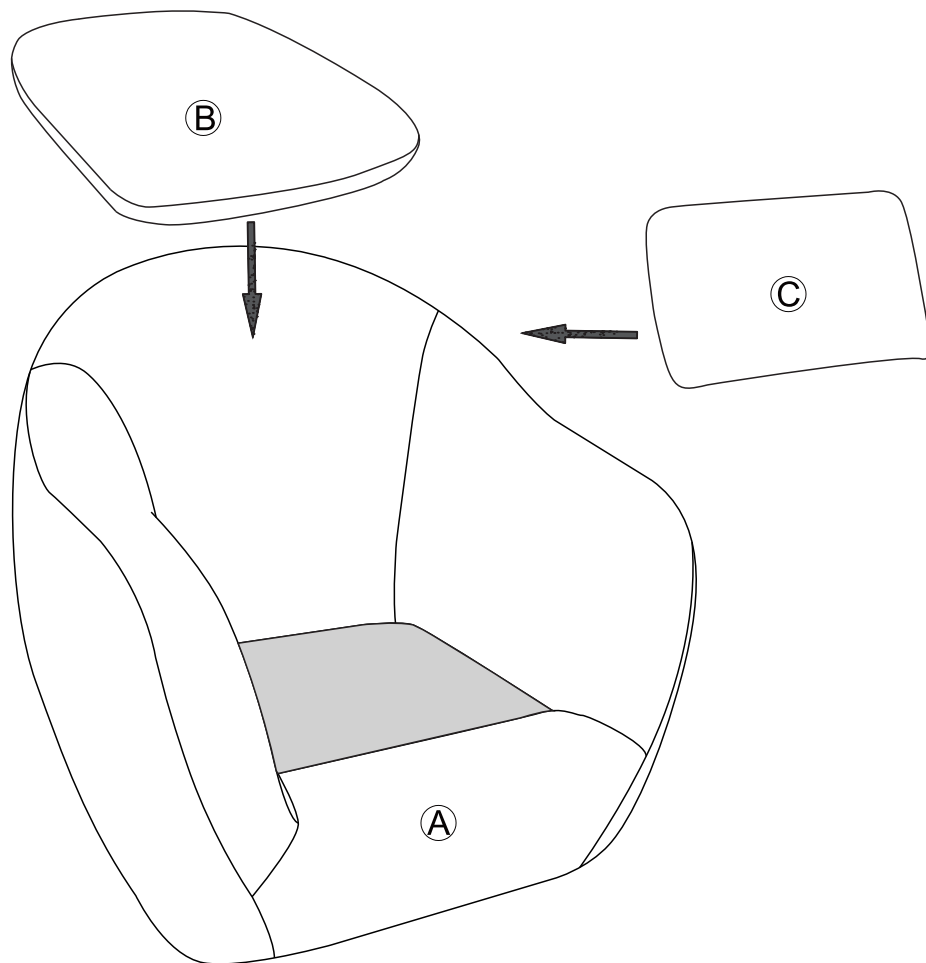
⚠ MAX WEIGHT CAPACITY: 330LBS DO NOT STAND ON THE ITEM

Parts List & Assembly Instruction

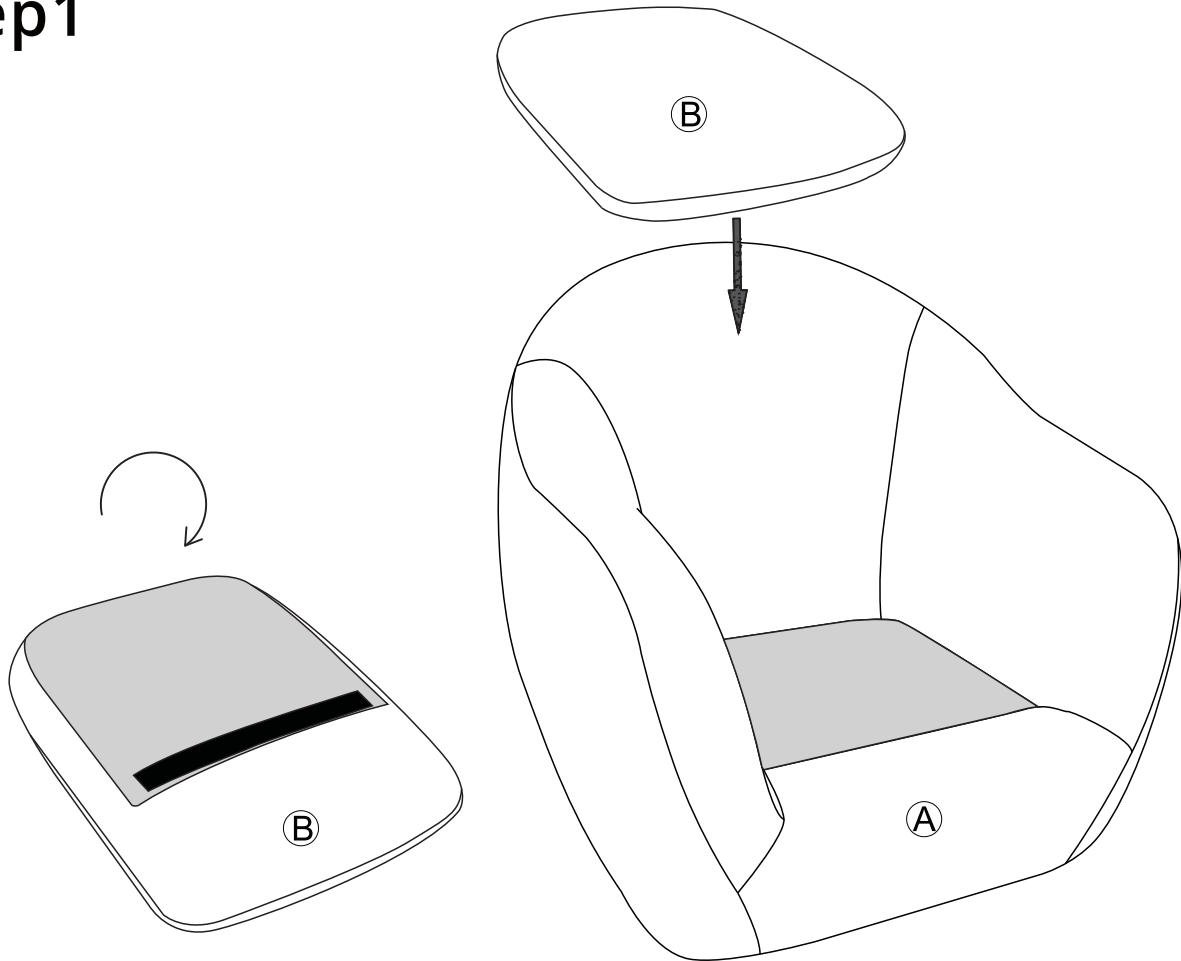
1. Make sure all parts are in the package.
2. Do not fully tighten anything until all screws, nuts, washers and bolts are in place.

Parts List

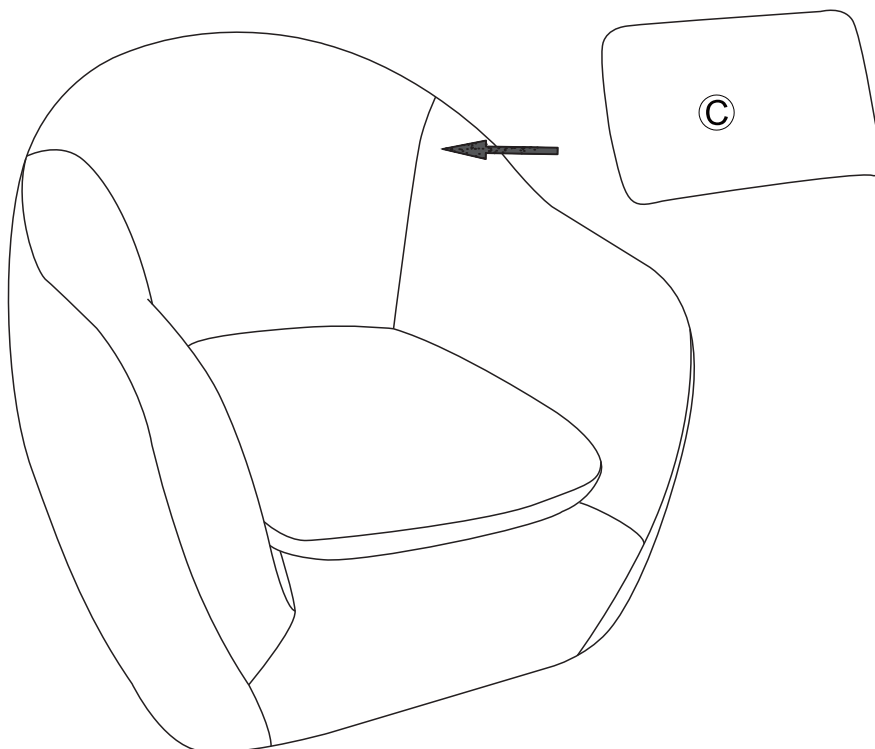
<p>Ⓐ x1pc Seat</p> 	<p>Ⓑ x1pc Cushion</p> 	<p>Ⓒ x1pc Waist Pillow</p> 
--	---	---



Step1



Step2



FINISHED

